

US00D494699S1

(12) **United States Design Patent**
Hon et al.

(10) **Patent No.:** **US D494,699 S**

(45) **Date of Patent:** **** Aug. 17, 2004**

(54) **SOLAR POWERED OUTDOOR LIGHT**

D461,578 S * 8/2002 Cheong D26/67
6,494,599 B1 * 12/2002 Leen 362/153

(75) Inventors: **Siu Cheong Hon**, Shunshine (HK);
Gary Mazurek, Plano, TX (US)

(73) Assignee: **The Brinkmann Corporation**, Dallas,
TX (US)

(**) Term: **14 Years**

(21) Appl. No.: **29/192,541**

(22) Filed: **Oct. 24, 2003**

Related U.S. Application Data

(63) Continuation of application No. 29/176,293, filed on Feb.
19, 2003, now abandoned.

(51) **LOC (7) Cl.** **26-05**

(52) **U.S. Cl.** **D26/67**

(58) **Field of Search** D26/67-72, 80-92,
D26/113, 118, 128, 129; 362/147, 153,
153.1, 159, 363, 367, 368, 404-408, 431,
432

(56) **References Cited**

U.S. PATENT DOCUMENTS

D284,312 S * 6/1986 Patel D26/67
D309,785 S * 8/1990 Chien D26/67
D360,048 S 7/1995 Messina, Jr. D26/67
D382,308 S * 8/1997 Cornell et al. D26/68

OTHER PUBLICATIONS

Rockscapes, Inc. Landscape Illumination Catalog; Back
Cover; item#CL-1□□“Craftsman Candle”.*
One page from lighting brochure/catalog, title and dtae
unknown.

* cited by examiner

Primary Examiner—Clare E Heflin

(74) *Attorney, Agent, or Firm*—Sheppard, Mullin, Richter
& Hampton LLP

(57) **CLAIM**

We claim the ornamental design for a solar powered outdoor
light, as shown and described.

DESCRIPTION

FIG. 1 is a perspective view of a solar powered outdoor light
showing the new design;

FIG. 2 is a front elevational view thereof;

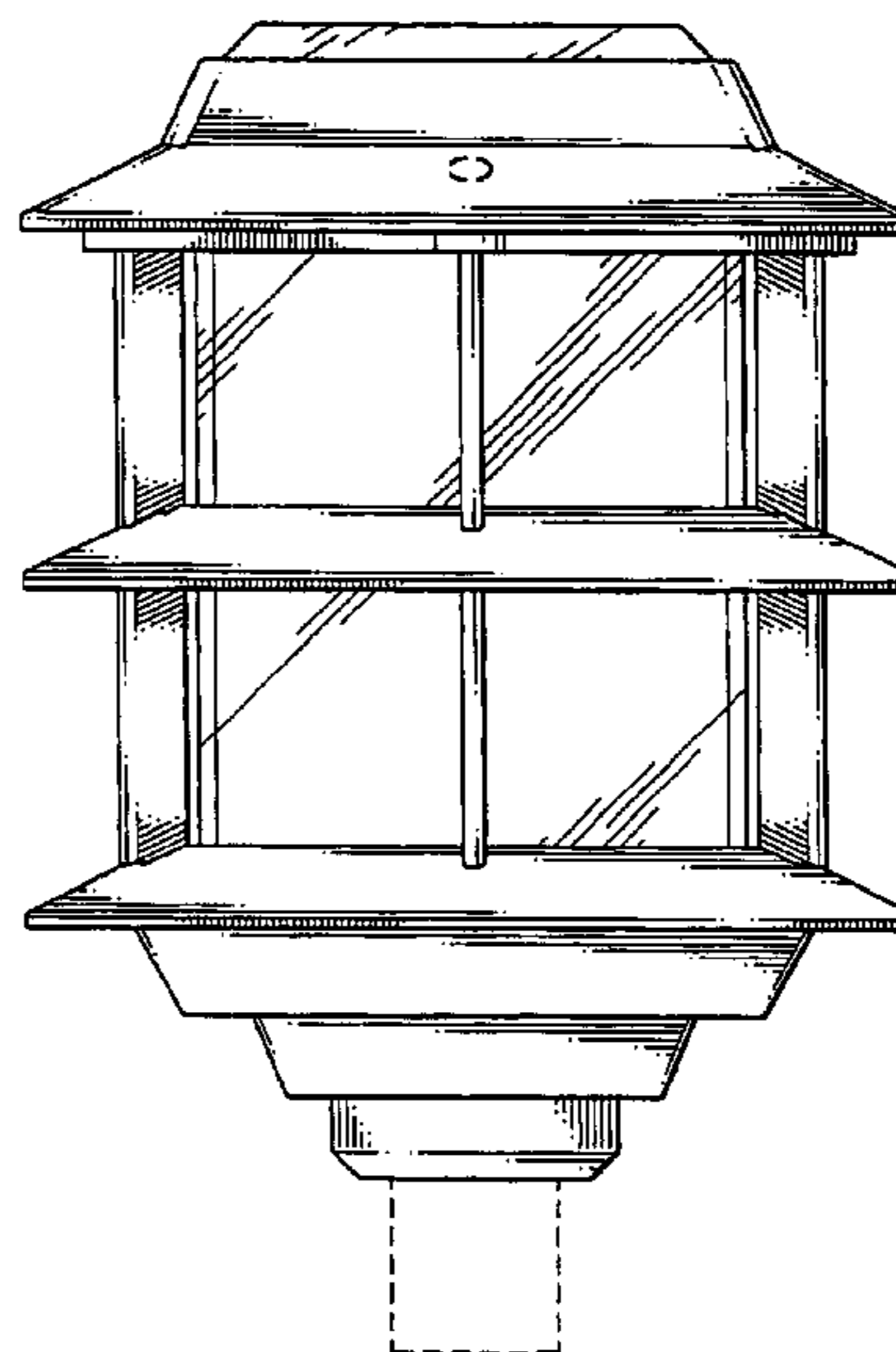
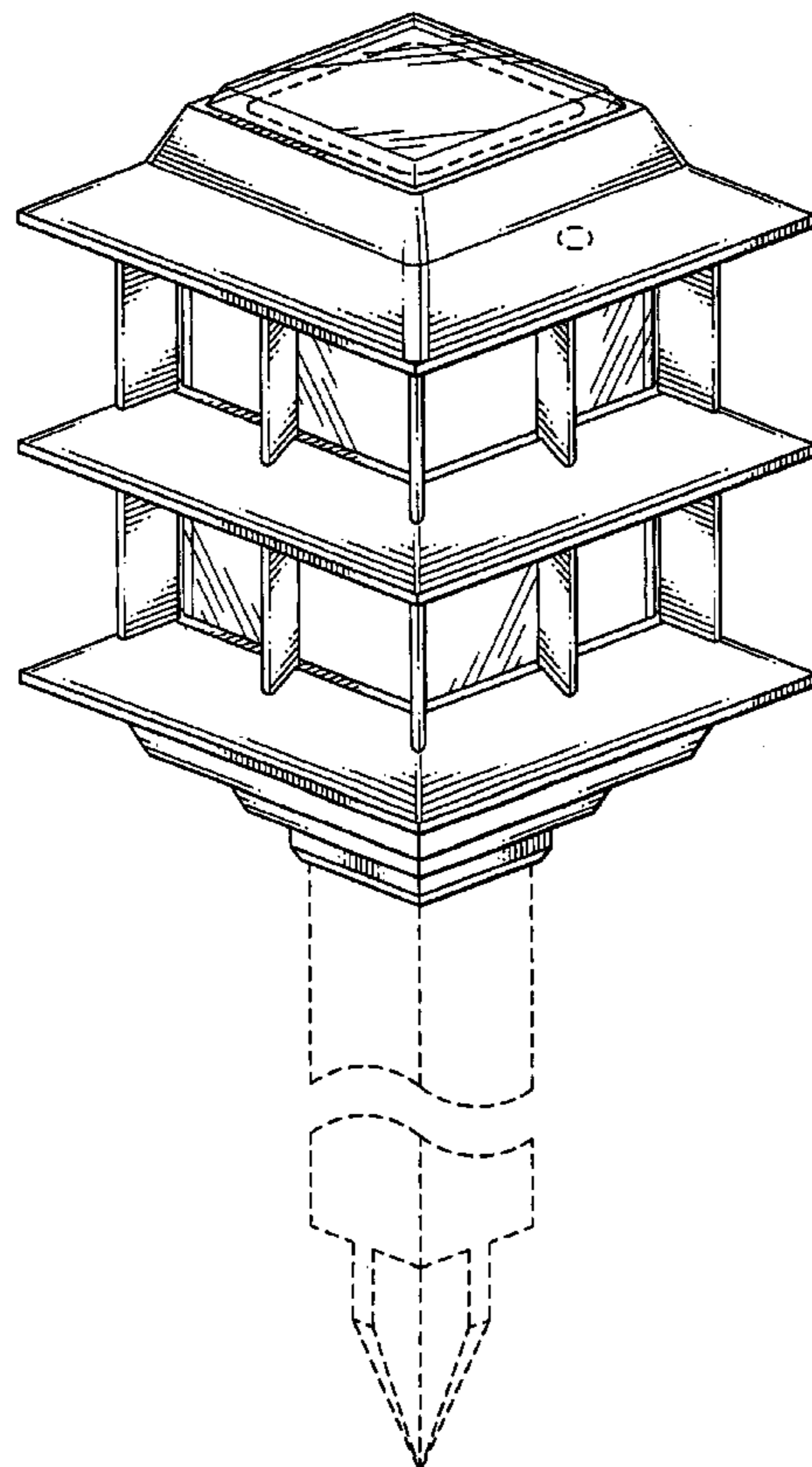
FIG. 3 is a rear elevational view thereof, the right and left
side elevational views being mirror images thereof;

FIG. 4 is a top plan view thereof; and,

FIG. 5 is a bottom plan view thereof.

The dotted lines are for illustrative purposes only and form
no part of the claimed design.

1 Claim, 5 Drawing Sheets



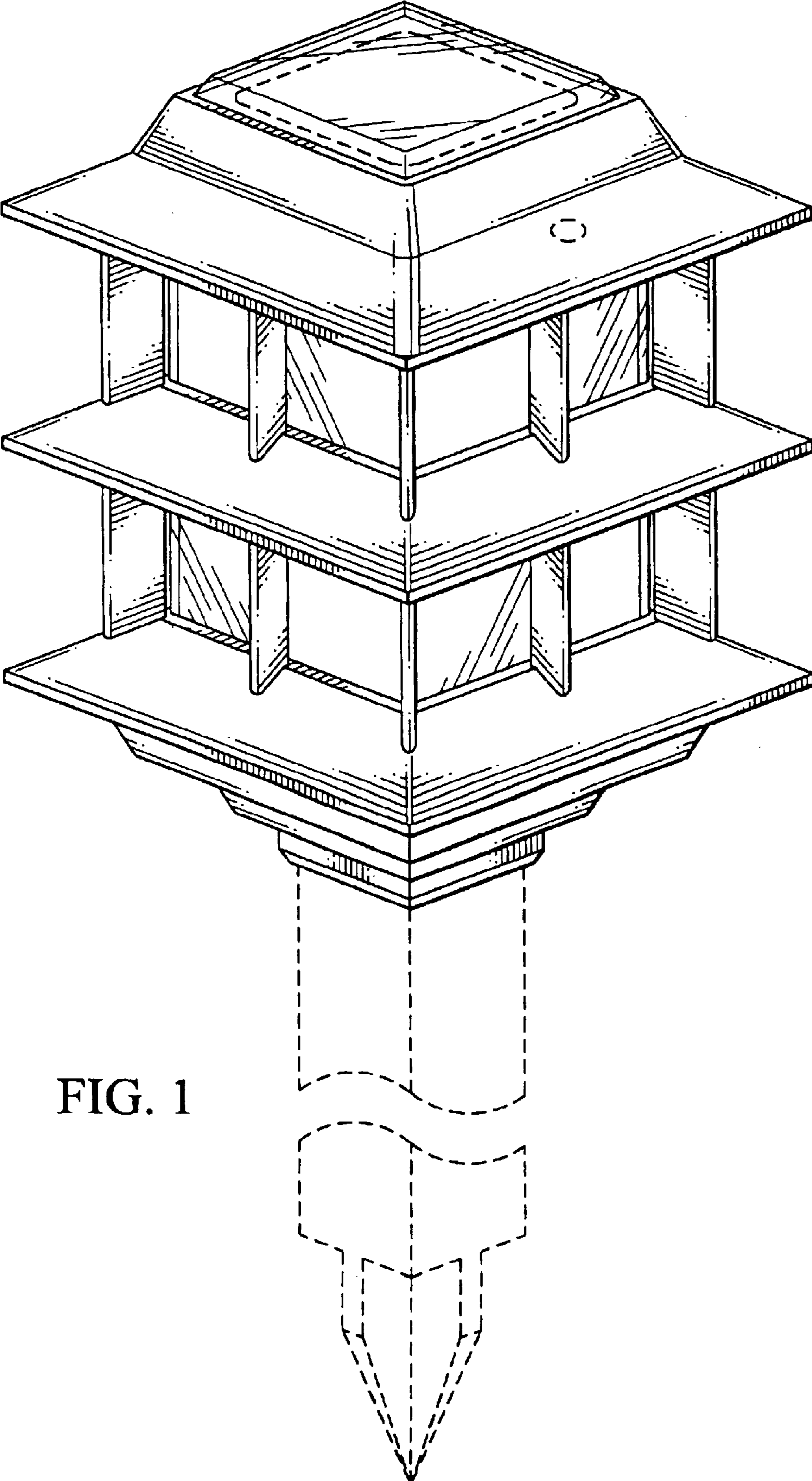


FIG. 1

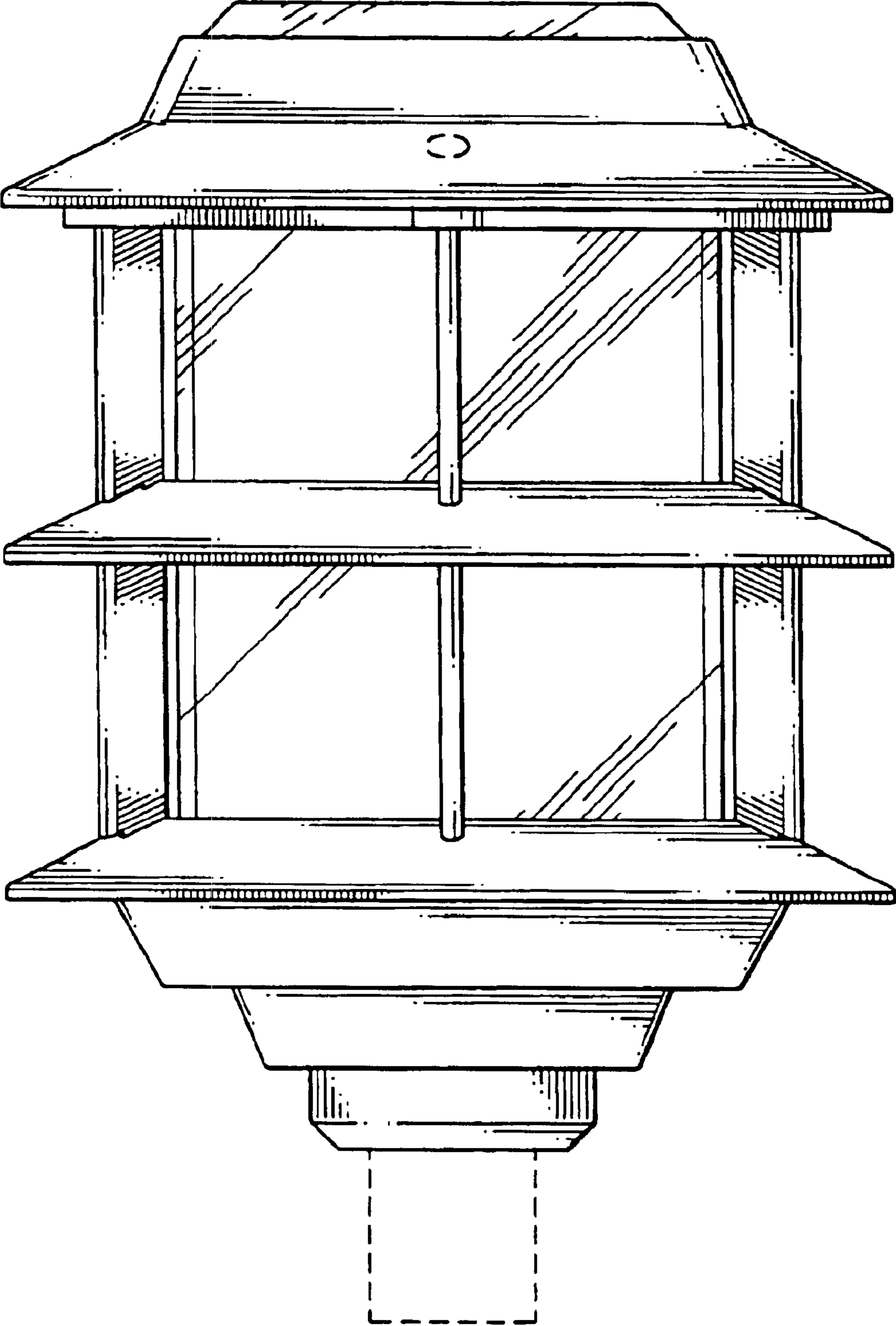


FIG. 2

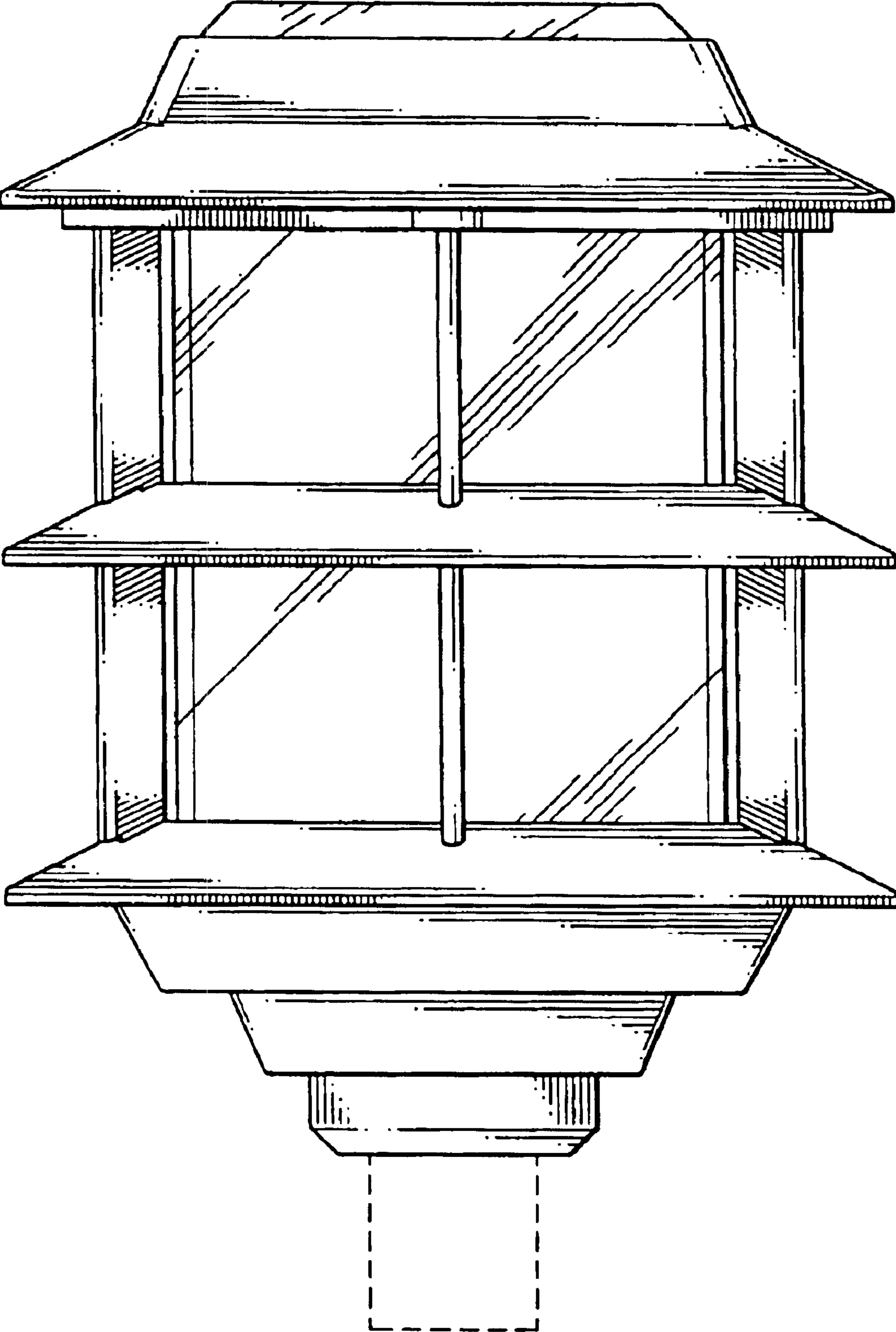


FIG. 3

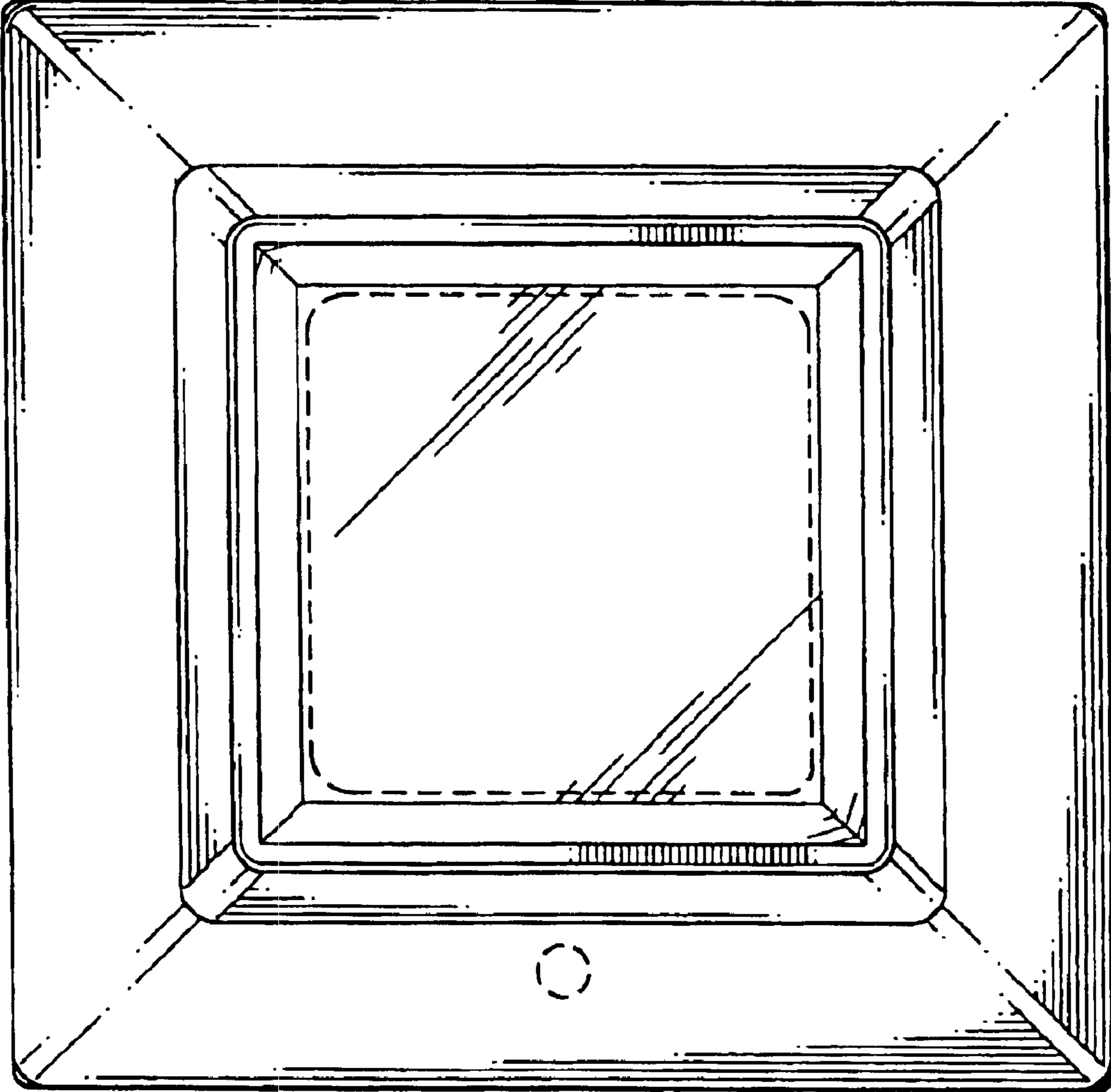


FIG. 4

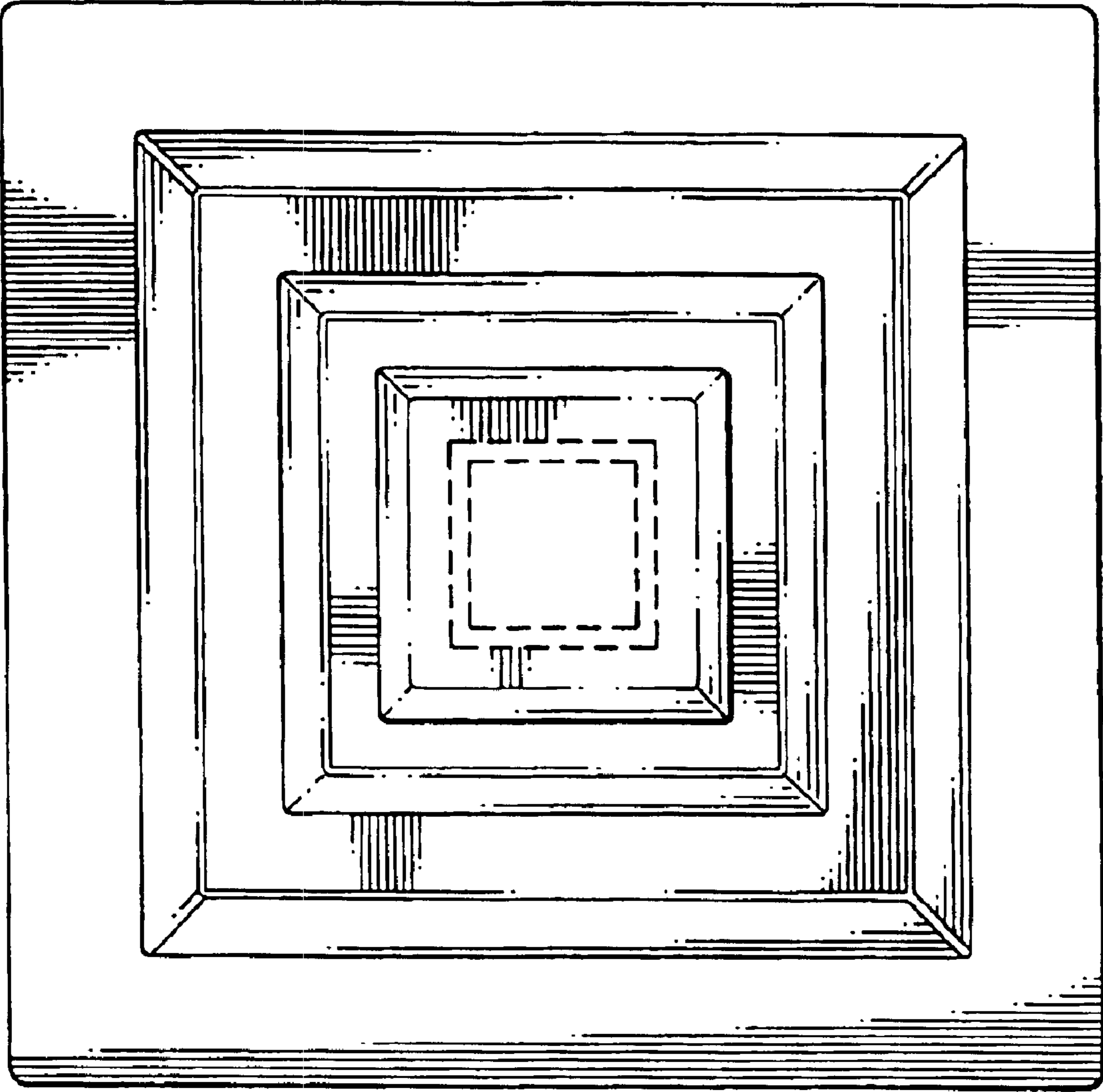


FIG. 5