

US00D494698S1

(12) **United States Design Patent**
Hon et al.

(10) **Patent No.: US D494,698 S**

(45) **Date of Patent: ** Aug. 17, 2004**

(54) **SOLAR POWERED OUTDOOR LIGHT**

(75) Inventors: **Siu Cheong Hon**, Tseung Kwan O (HK); **Gary Mazurek**, Plano, TX (US)

(73) Assignee: **The Brinkmann Corporation**, Dallas, TX (US)

(**) Term: **14 Years**

(21) Appl. No.: **29/192,538**

(22) Filed: **Oct. 24, 2003**

Related U.S. Application Data

(63) Continuation of application No. 29/176,295, filed on Feb. 19, 2003, now abandoned.

(51) **LOC (7) Cl.** **26-05**

(52) **U.S. Cl.** **D26/67**

(58) **Field of Search** D26/67-72, 80-92,
D26/113, 118, 128, 129; 362/147, 153,
153.1, 159, 363, 367, 368, 404-408, 431,
432

(56) **References Cited**

U.S. PATENT DOCUMENTS

4,293,898	A	10/1981	Budnovitch et al.	362/291
D284,312	S	* 6/1986	Patel	D26/67
4,774,648	A	9/1988	Kakuk et al.	362/302
D309,785	S	* 8/1990	Chien	D26/67
D310,577	S	9/1990	Kakuk et al.	D26/67
4,996,636	A	2/1991	Lovett	362/431
D382,308	S	* 8/1997	Cornell et al.	D26/68
D382,662	S	* 8/1997	Shalvi	D26/68
6,494,599	B1	* 12/2002	Leen	362/362

OTHER PUBLICATIONS

CENS Lighting Jul. 2002; p. 78. Light fixture (circled) in center of page.*

SEAGULL Lighting Catalog 2001; p. 329; items 9226-12 and 92901-12.*

Hadco Nightlife Landscape Lighting Brochure, pp. 34 and 38, date unknown.

Three pages from Hadco Nightlife Landscape Lighting Folded Brochure, date unknown.

Four pages from Noma Garden Lighting/Eclairage de jardin Brochure, date unknown.

Three pages from Slater Consumer Product Lin Brochure, date unknown.

Two pages from Intermatic Malibu Deck Lights Brochure, date unknown.

* cited by examiner

Primary Examiner—Clare E Heflin

(74) *Attorney, Agent, or Firm*—Sheppard, Mullin, Richter & Hampton LLP

(57) **CLAIM**

We claim the ornamental design for a solar powered outdoor light, as shown and described.

DESCRIPTION

FIG. 1 is a perspective view of a solar powered outdoor light showing the new design;

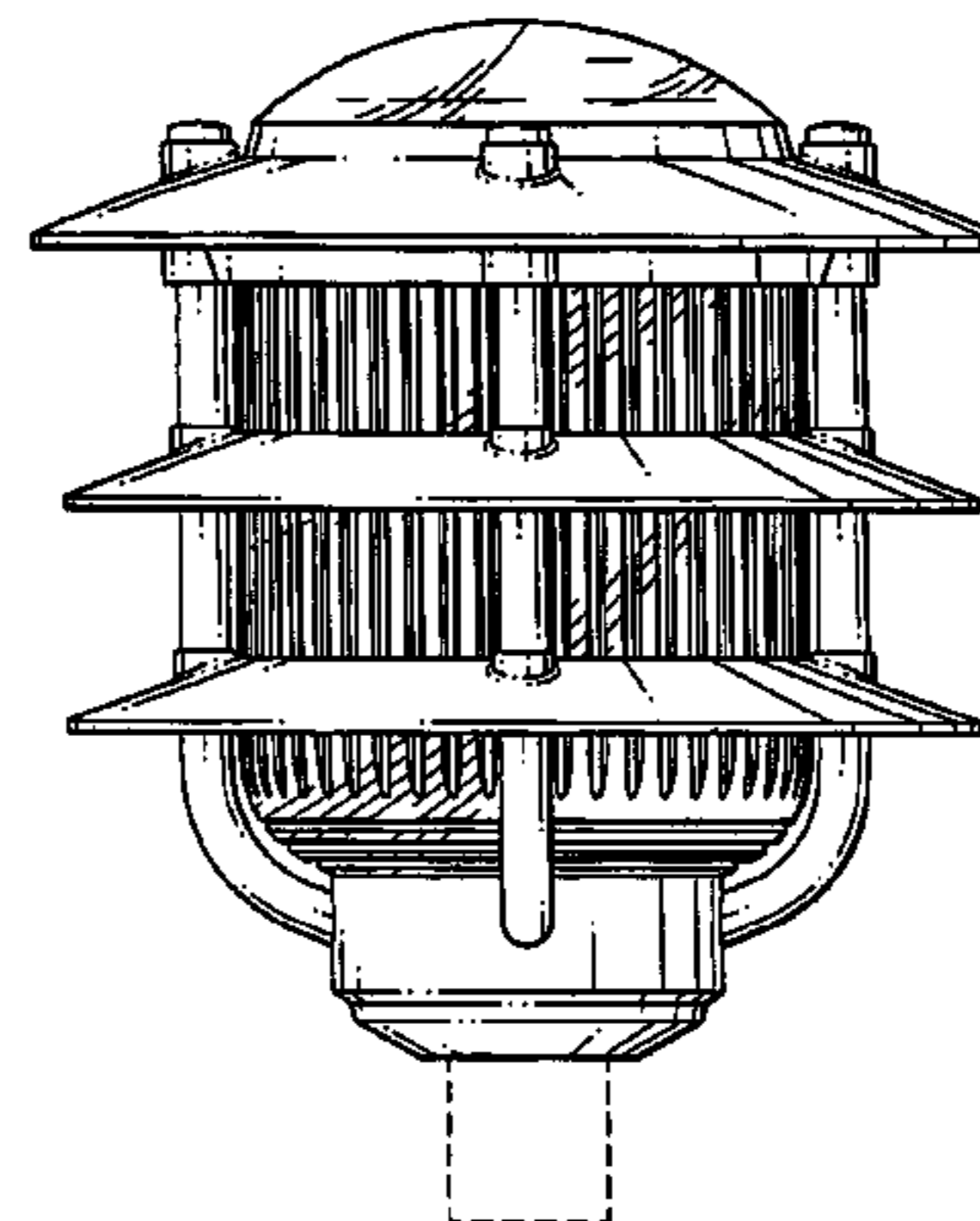
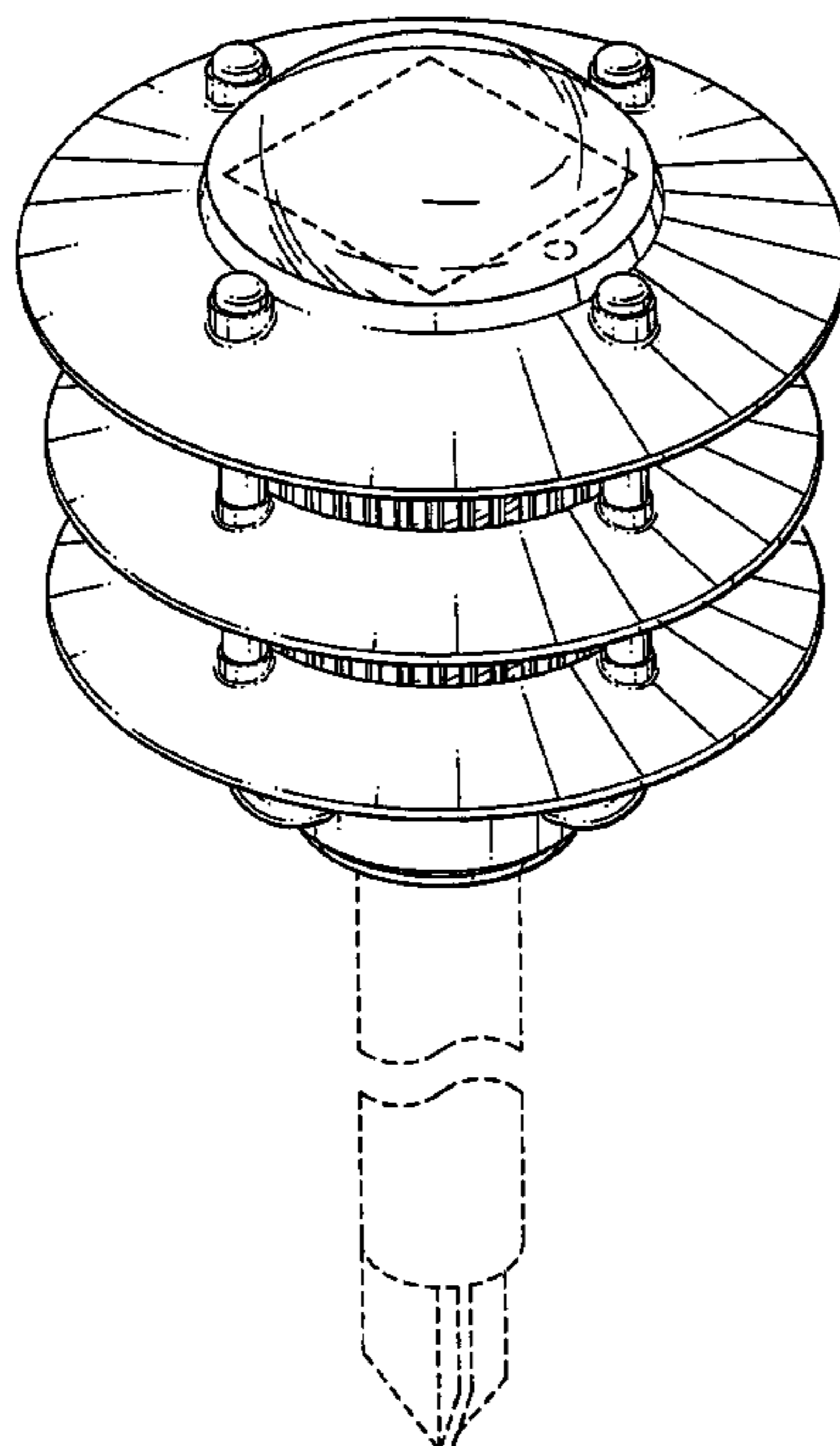
FIG. 2 is a front elevational view, the rear, left and right side elevational views being mirror images thereof;

FIG. 3 is a top plan view thereof; and,

FIG. 4 is a bottom plan view thereof.

The dotted lines are for illustrative purposes only and form no part of the claimed design.

1 Claim, 4 Drawing Sheets



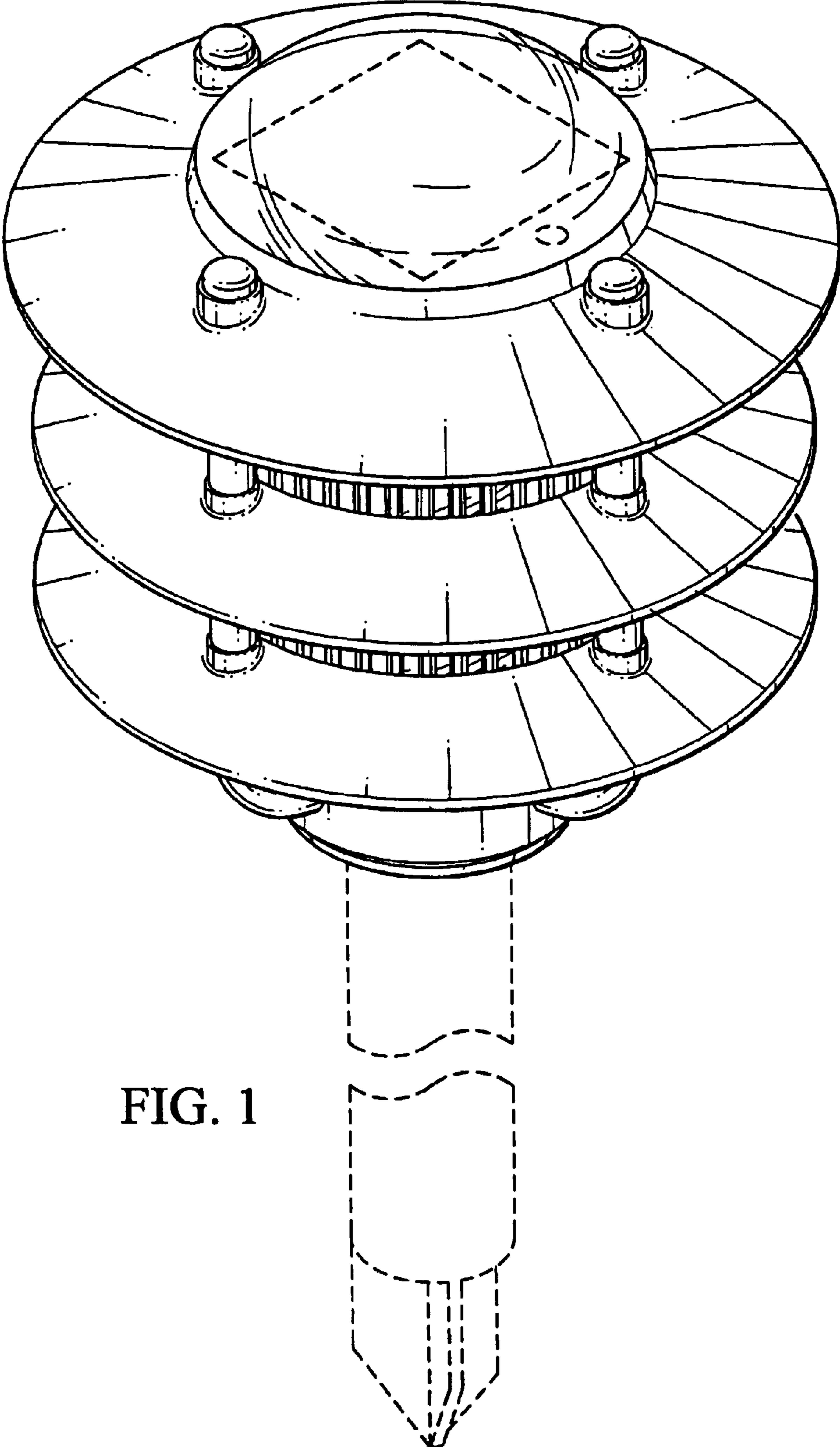


FIG. 1

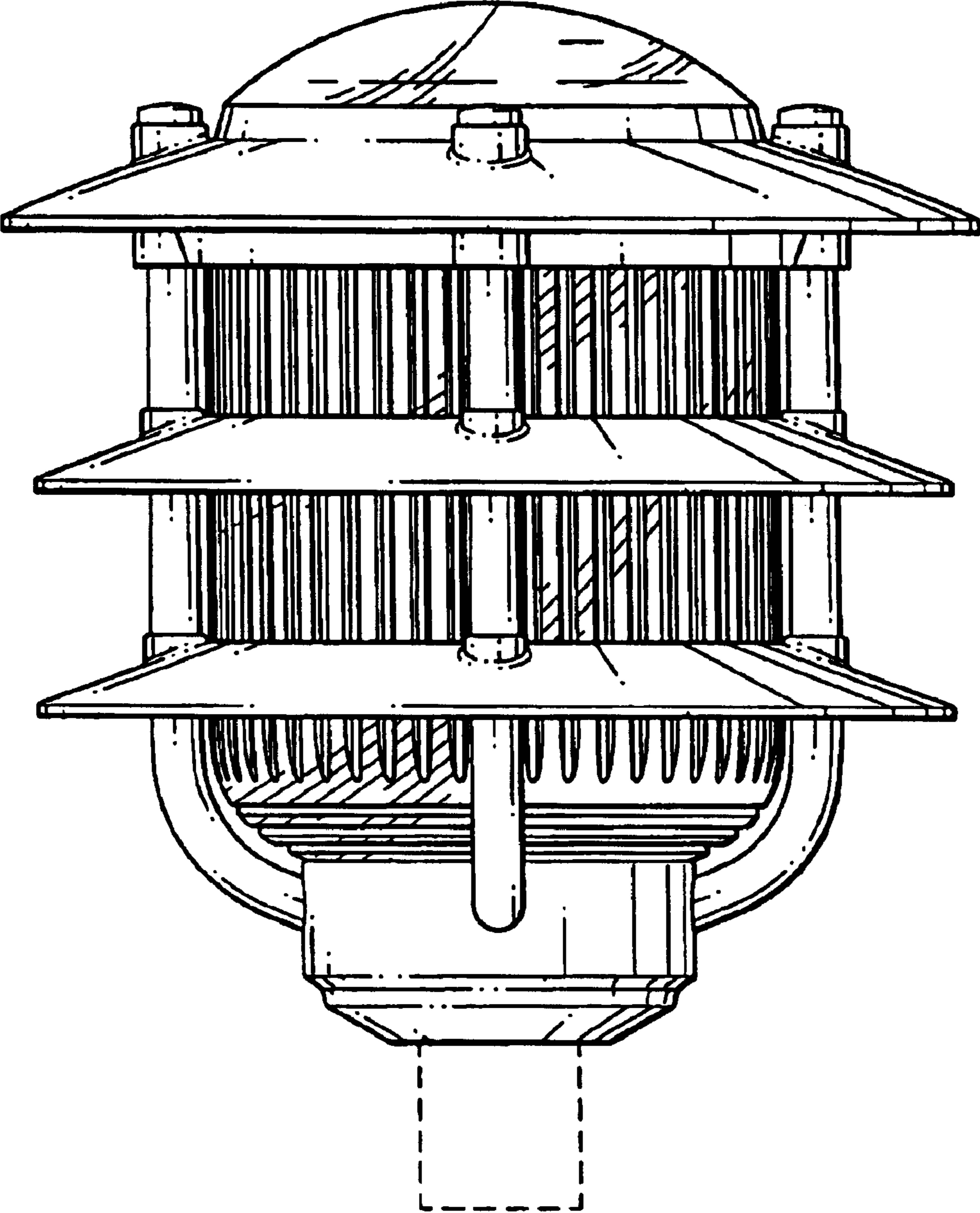


FIG. 2

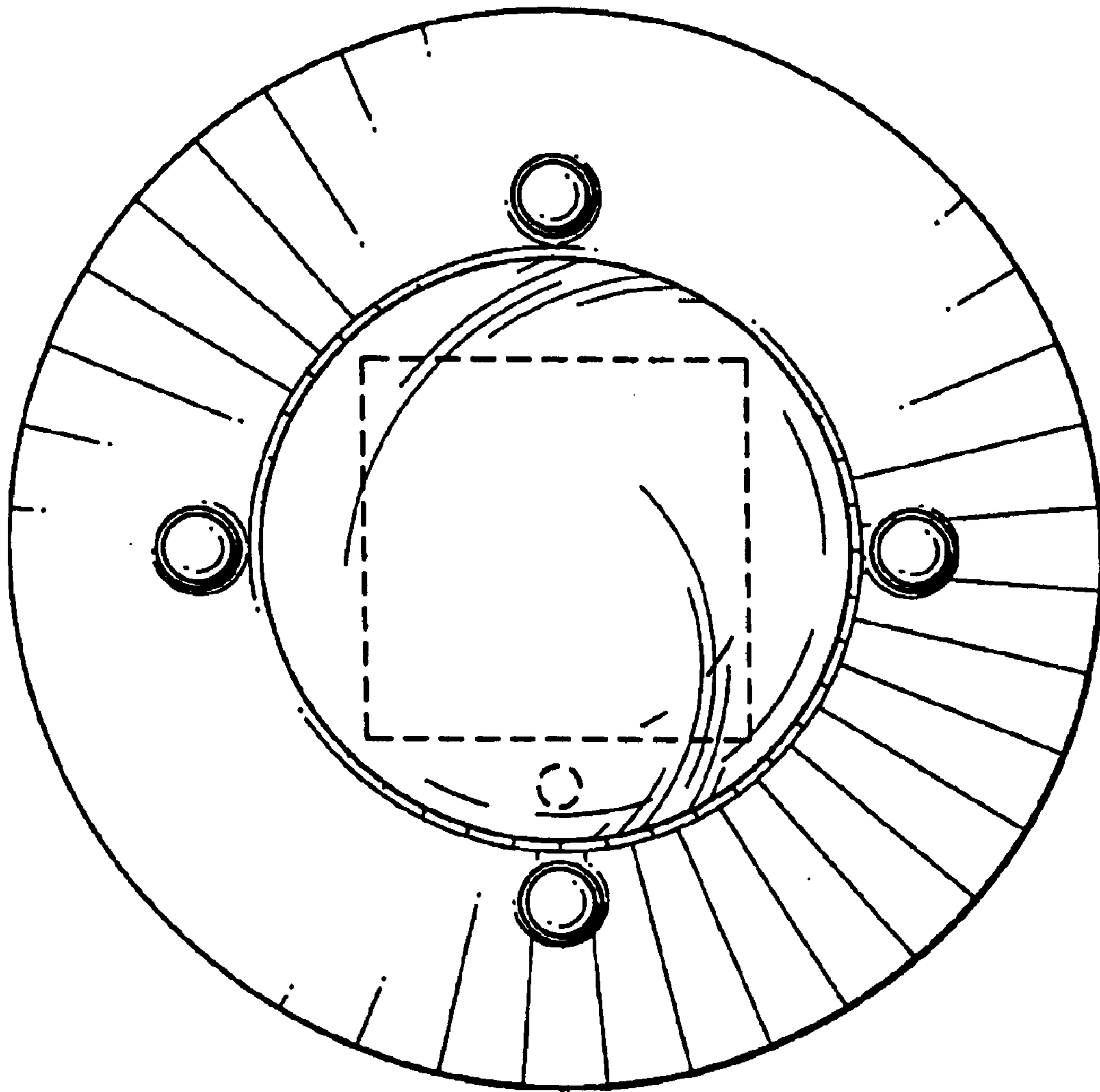


FIG. 3

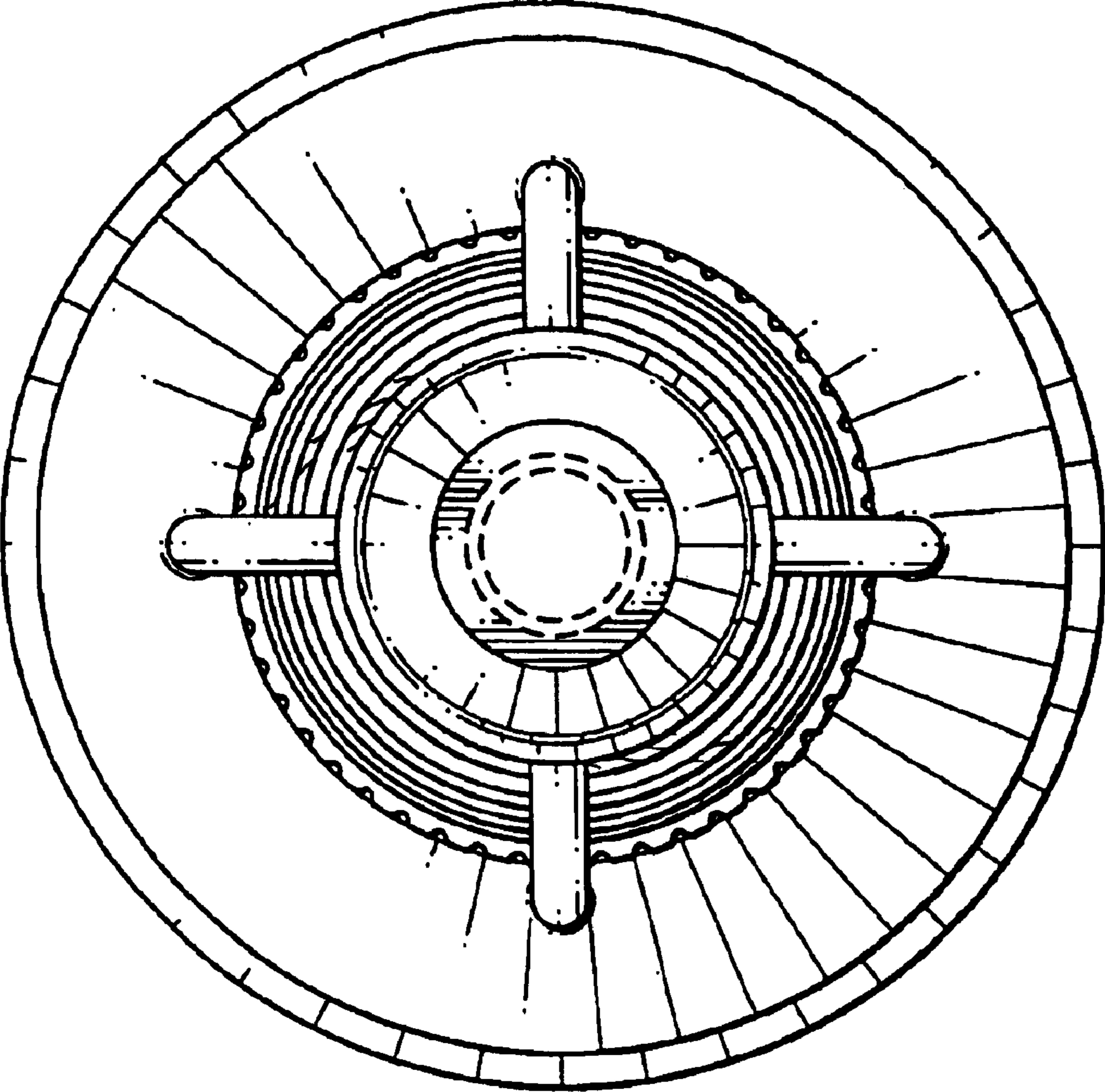


FIG. 4