



US00D494697S1

(12) **United States Design Patent**
Leen

(10) **Patent No.:** **US D494,697 S**

(45) **Date of Patent:** **** Aug. 17, 2004**

(54) **FLOODLIGHT WITH GRILLE FACE FRAME**

(76) **Inventor:** **Monte A. Leen**, 11730 NE. 12th St.,
Bellevue, WA (US) 98005-2458

(**) **Term:** **14 Years**

(21) **Appl. No.:** **29/175,923**

(22) **Filed:** **Feb. 12, 2003**

(51) **LOC (7) Cl.** **26-03**

(52) **U.S. Cl.** **D26/63; D26/119**

(58) **Field of Search** **D26/63, 118, 119;**
362/269, 279, 290, 376

(56) **References Cited**

U.S. PATENT DOCUMENTS

1,140,096 A	5/1915	Aderente	
1,444,243 A	2/1923	Gaspie	
1,670,012 A	5/1928	Talley	
4,686,611 A	8/1987	Von Kohorn	362/123
5,243,507 A *	9/1993	Atkins et al.	362/376
D345,226 S *	3/1994	Tsao	D26/63
D367,540 S *	2/1996	Lee	D26/63

D400,290 S	*	10/1998	Hart	D26/119
D403,455 S	*	12/1998	Duennes	D26/119
5,908,234 A	*	6/1999	Kreeft	362/290
5,944,411 A		8/1999	Holten et al.	362/342

* cited by examiner

Primary Examiner—Jennifer Rivard

(74) *Attorney, Agent, or Firm*—Dean A. Craine

(57) **CLAIM**

The ornamental design for a floodlight with grille face frame, as shown and described.

DESCRIPTION

FIG. 1 is a perspective view of the floodlight with grille face frame.

FIG. 2 is a front elevational view of the invention.

FIG. 3 is a rear elevational view of the invention.

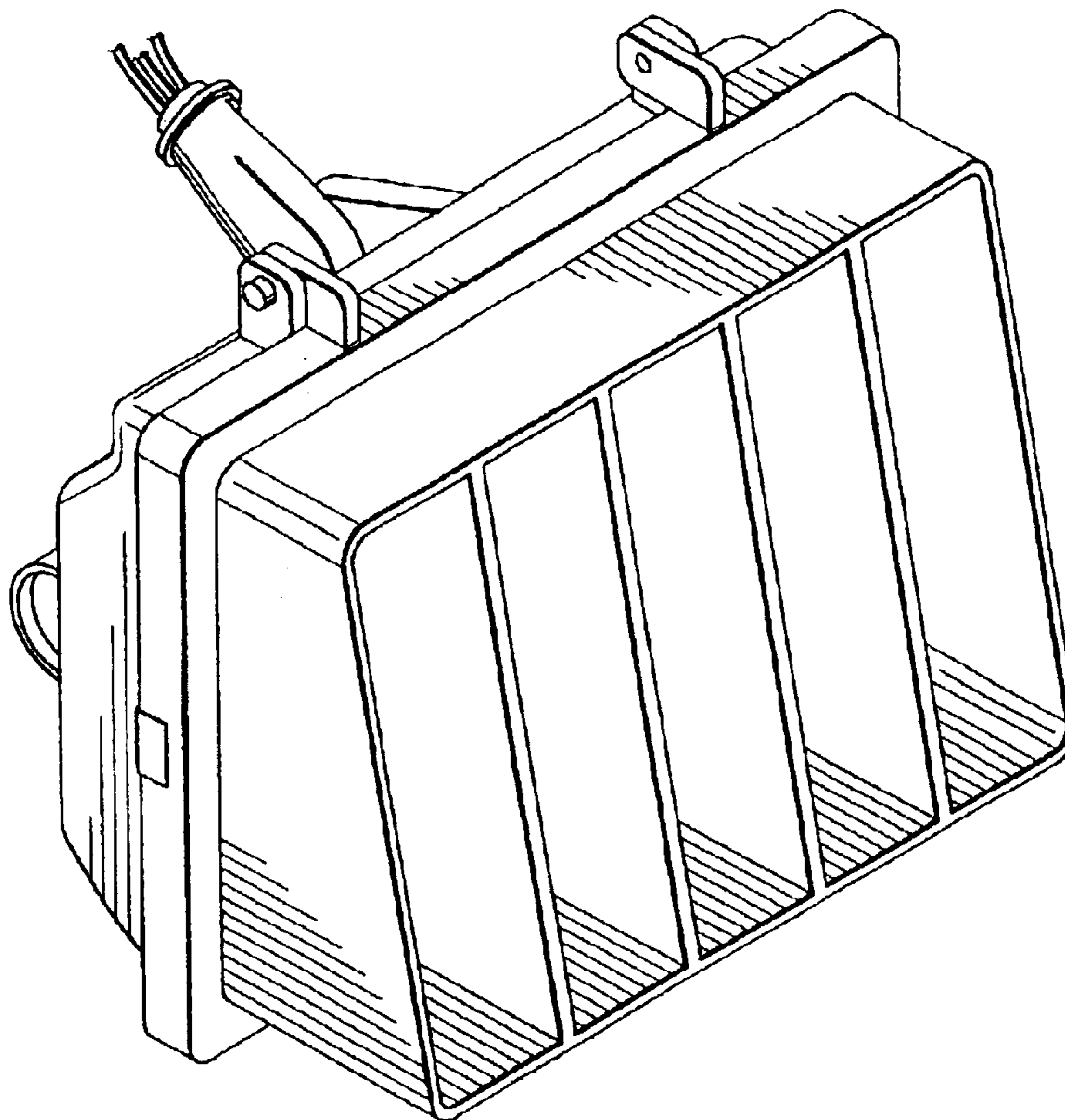
FIG. 4 is a left side elevational view of the invention.

FIG. 5 is a right side elevational view of the invention.

FIG. 6 is a top plan view of the invention; and,

FIG. 7 is a bottom plan view of the invention.

1 Claim, 3 Drawing Sheets



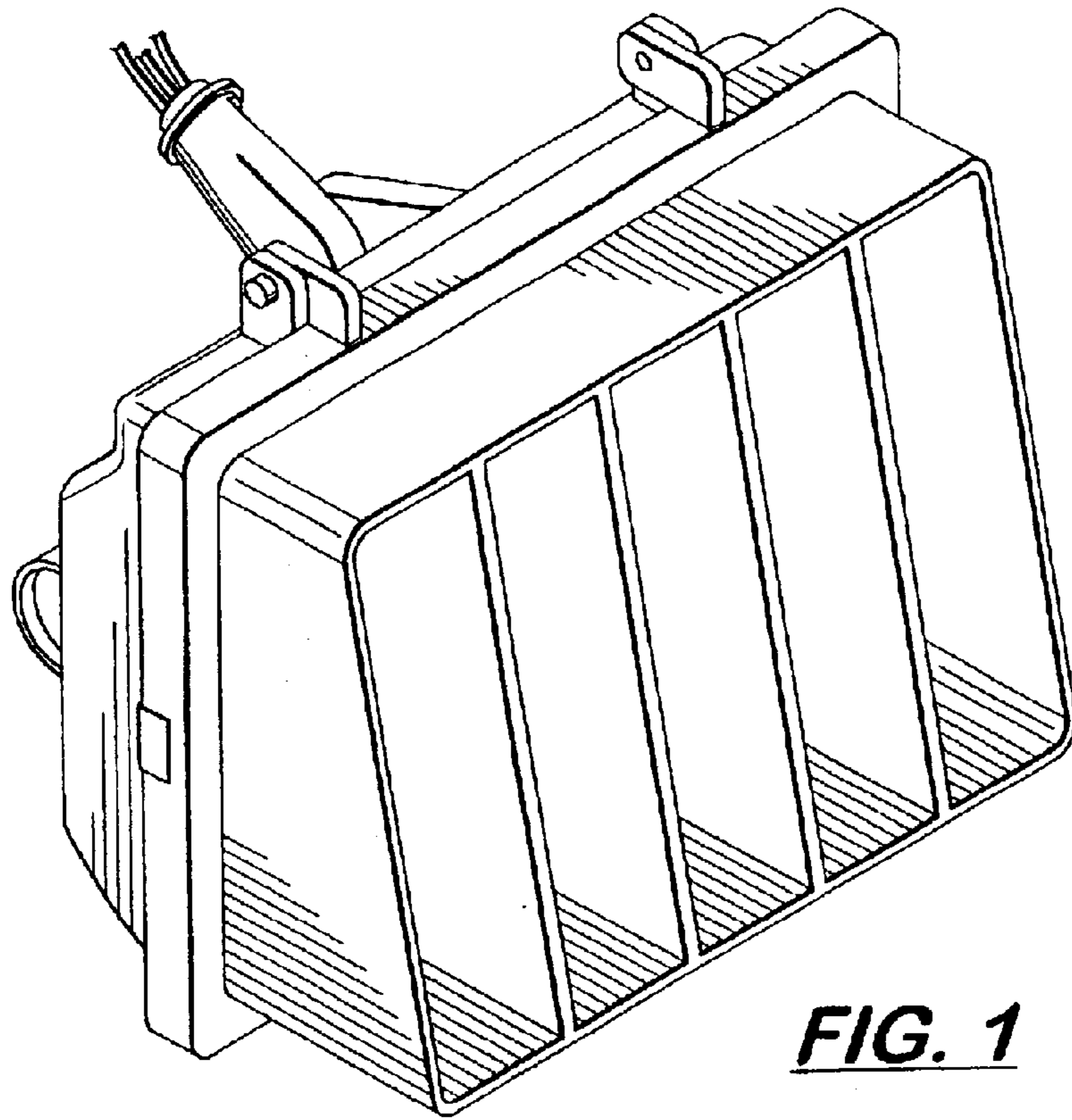


FIG. 1

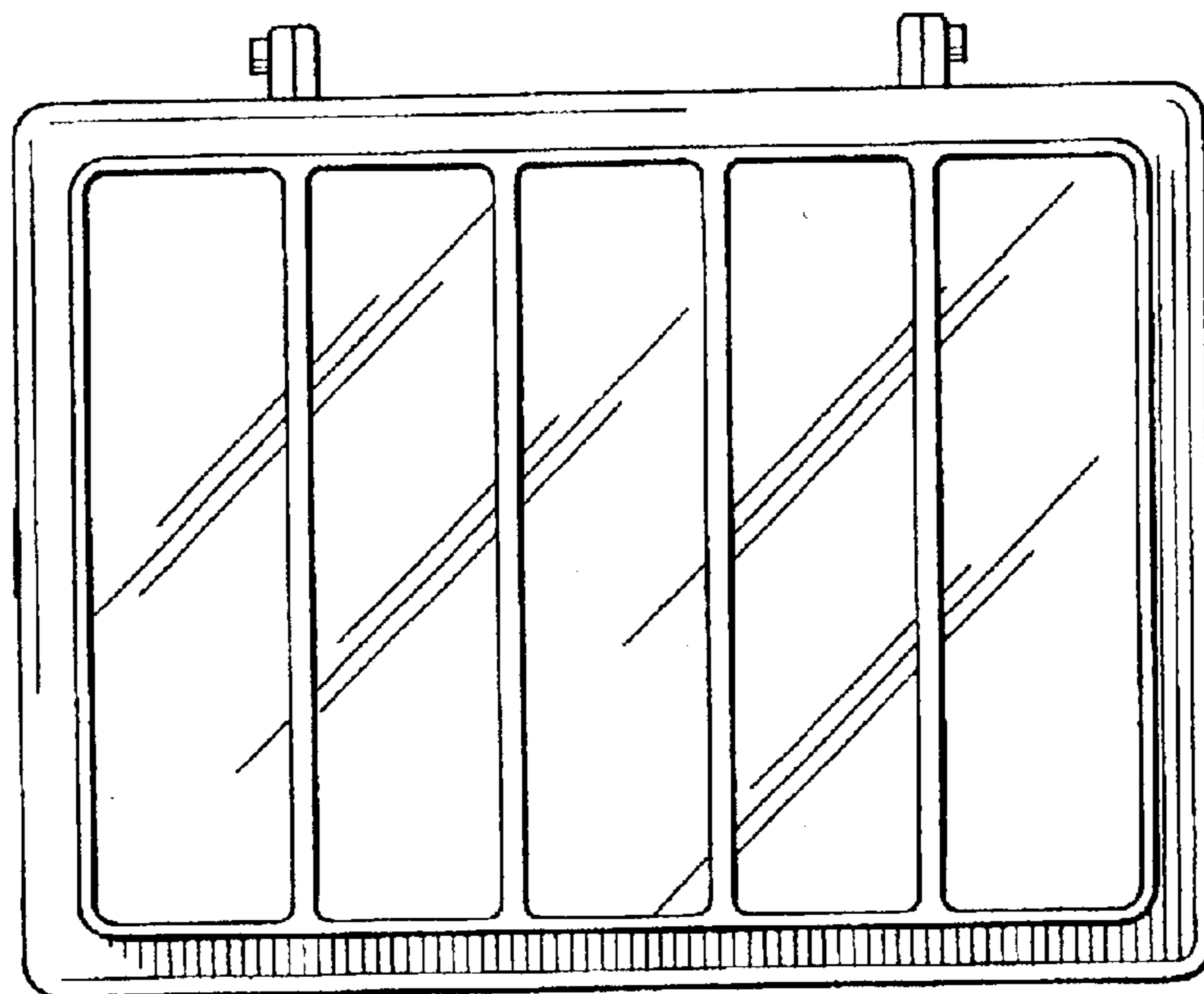


FIG. 2

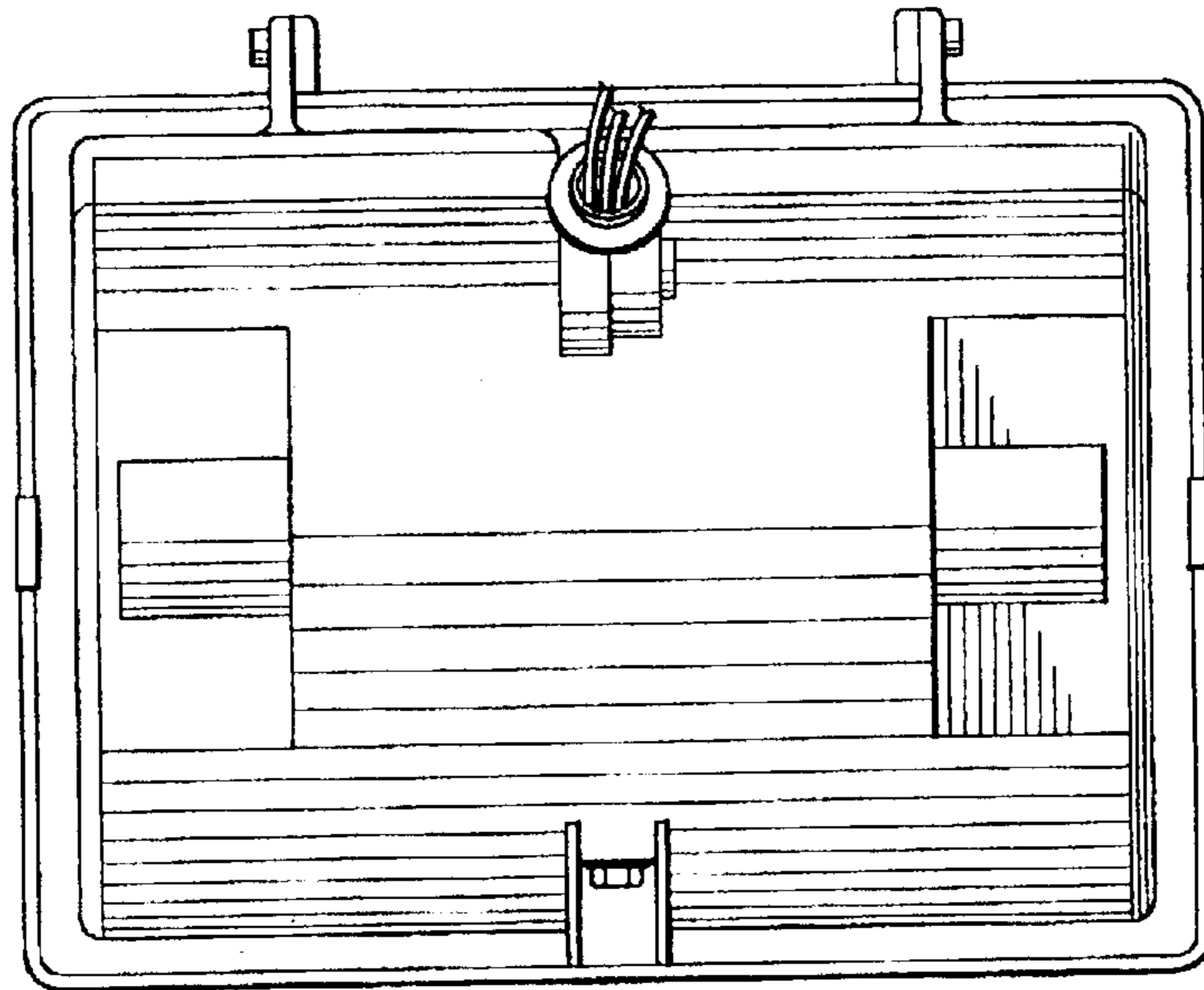


FIG. 3

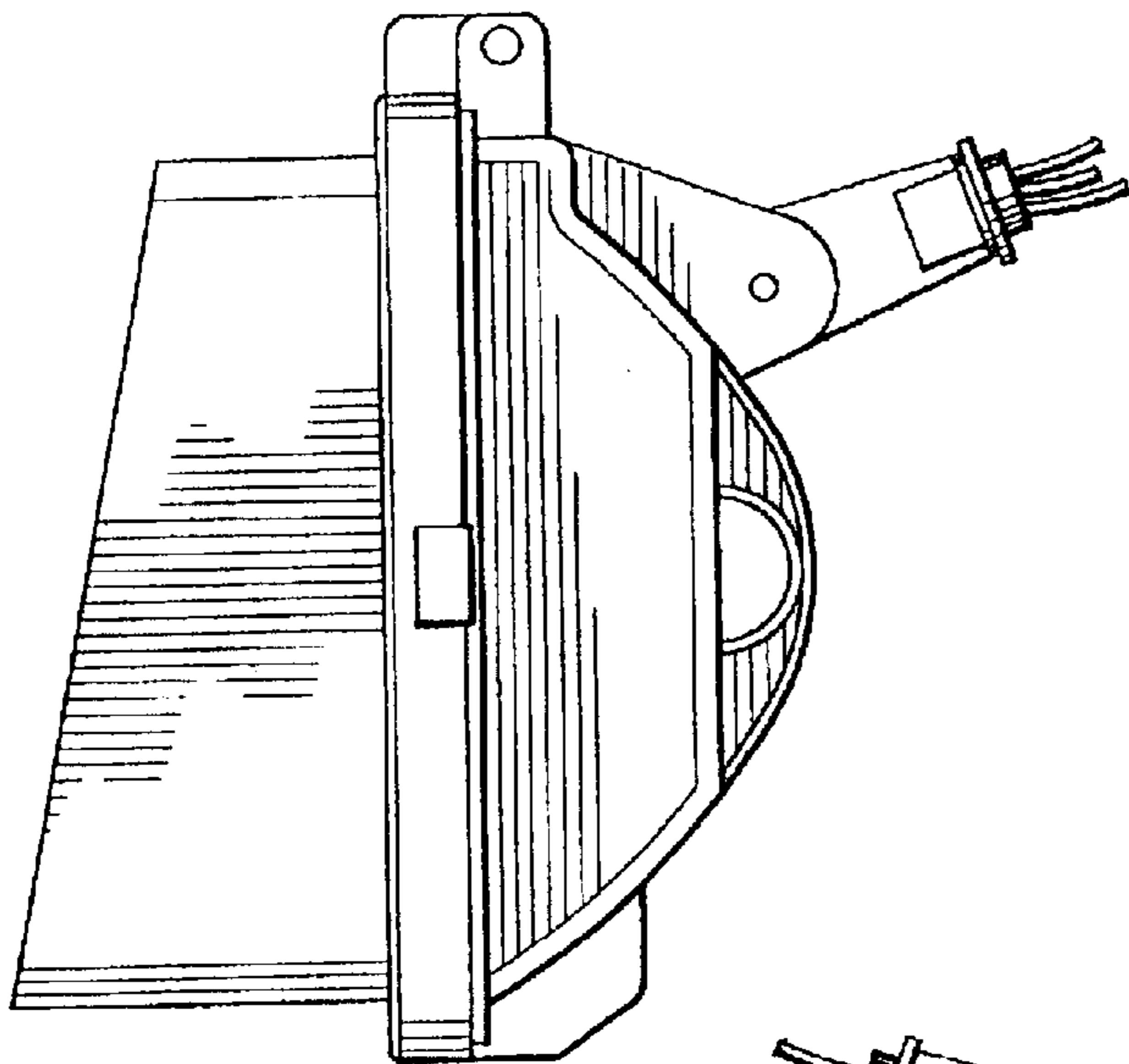


FIG. 4

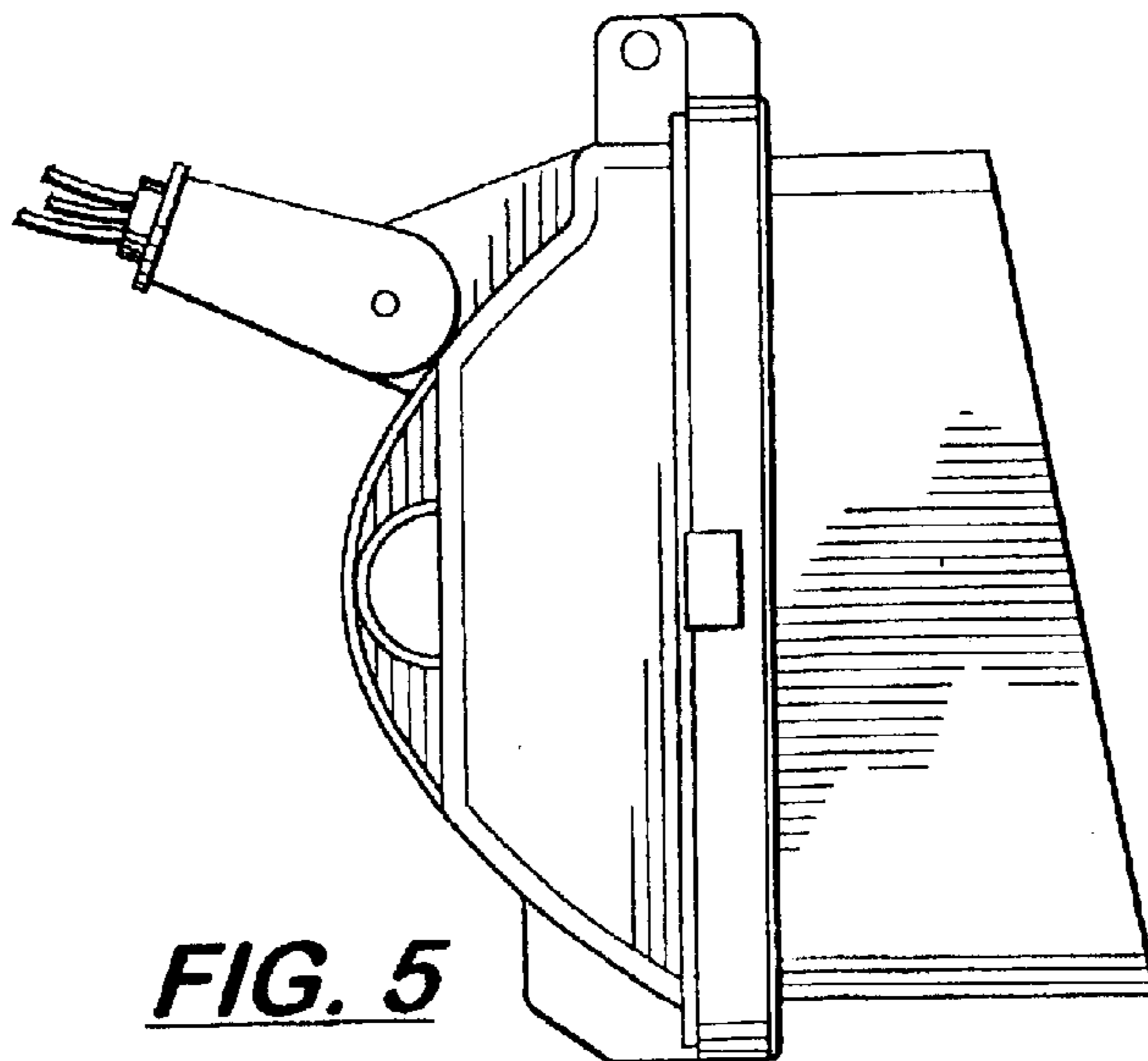


FIG. 5

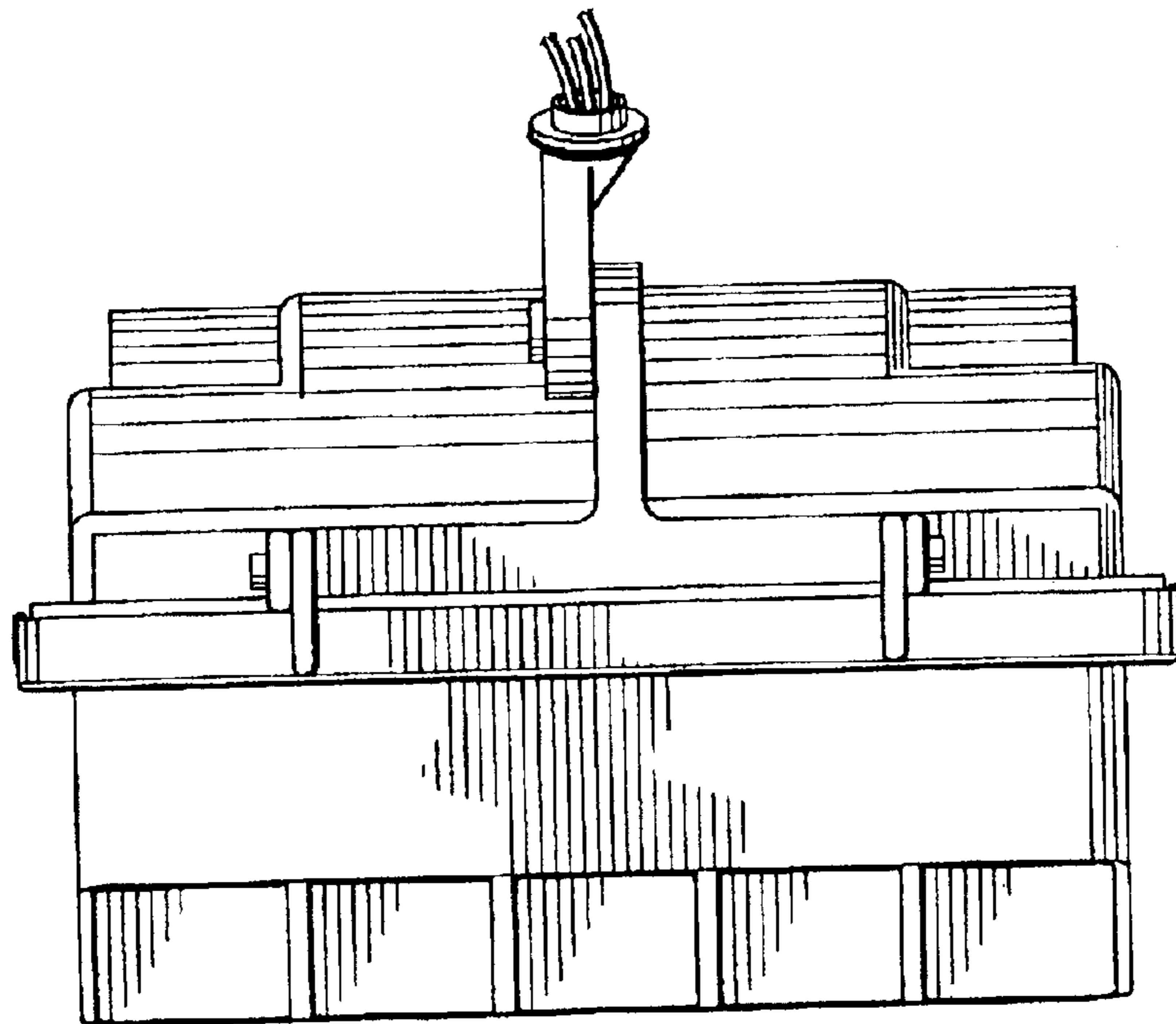


FIG. 6

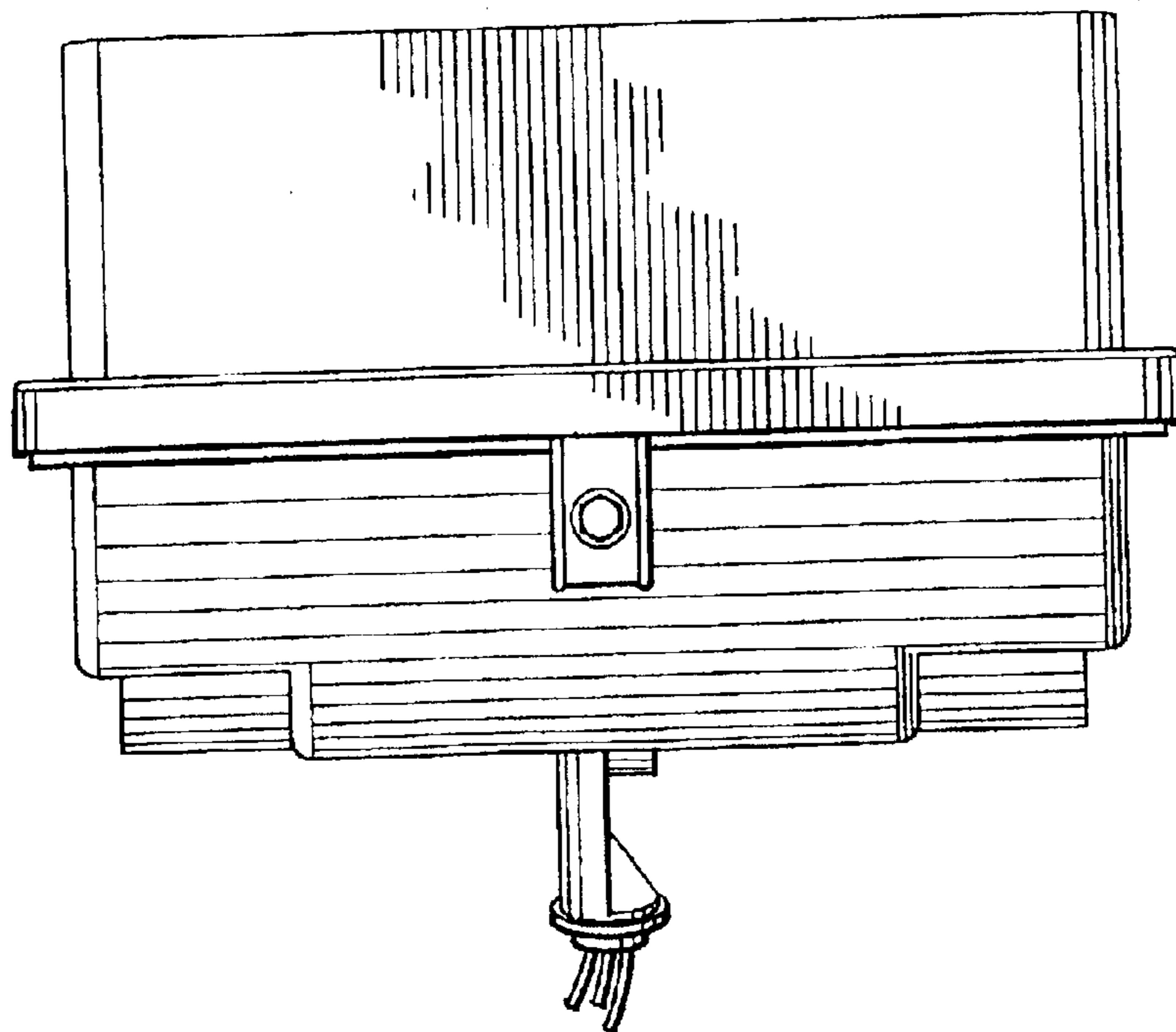


FIG. 7