

US00D494695S1

(12) **United States Design Patent**
Oas

(10) **Patent No.:** **US D494,695 S**

(45) **Date of Patent:** **** Aug. 17, 2004**

(54) **PENLIGHT CARABINEER WITH COMPASS AND RADIO**

Primary Examiner—Marcus A. Jackson
(74) *Attorney, Agent, or Firm*—Brian Carpenter

(75) **Inventor:** **Daniel Oas**, El Monte, CA (US)

(57) **CLAIM**

(73) **Assignee:** **Calibre International LLC**, Irwindale, CA (US)

The ornamental design for a penlight carabineer with compass and radio, as shown and described.

(**) **Term:** **14 Years**

DESCRIPTION

(21) **Appl. No.:** **29/194,820**

FIG. 1 is a perspective view of a penlight carabineer with compass and radio;

(22) **Filed:** **Dec. 1, 2003**

FIG. 2 is a top plan view of the penlight carabineer with compass and radio of FIG. 1;

(51) **LOC (7) Cl.** **26-02**

FIG. 3 is a bottom plan view of the penlight carabineer with compass and radio of FIG. 1;

(52) **U.S. Cl.** **D26/37; D26/38**

FIG. 4 is a left side elevational view of the penlight carabineer with compass and radio of FIG. 1;

(58) **Field of Search** **D26/37-50; 362/157, 362/158, 171-174, 183-208**

FIG. 5 is a right side elevational view of the penlight carabineer with compass and radio of FIG. 1;

(56) **References Cited**

U.S. PATENT DOCUMENTS

FIG. 6 is a front elevational view of the penlight carabineer with compass and radio of FIG. 1; and,

D403,451 S * 12/1998 Ting D26/37

FIG. 7 is a rear elevational view of the penlight carabineer with compass and radio of FIG. 1.

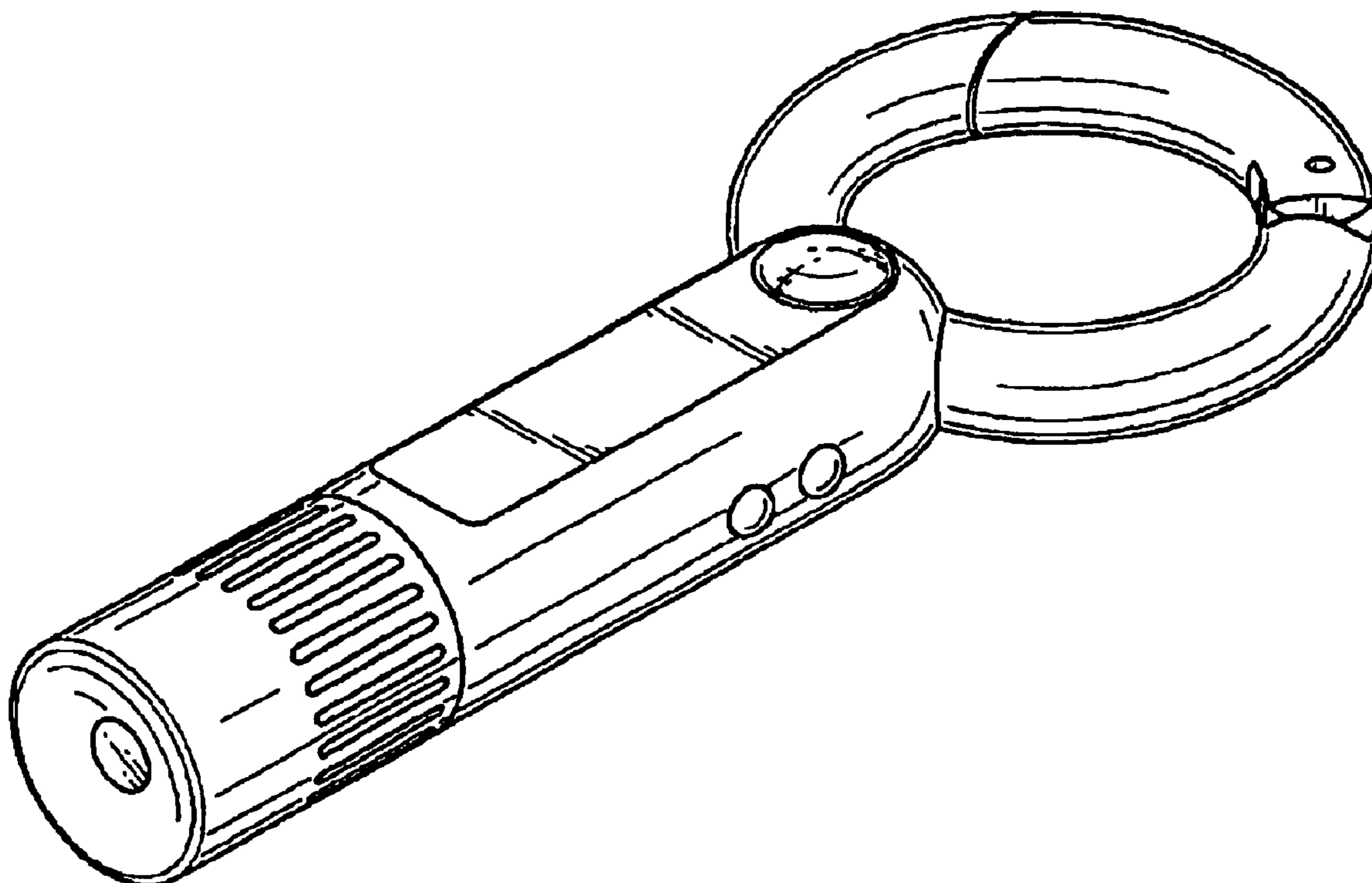
D419,704 S * 1/2000 Ting D26/37

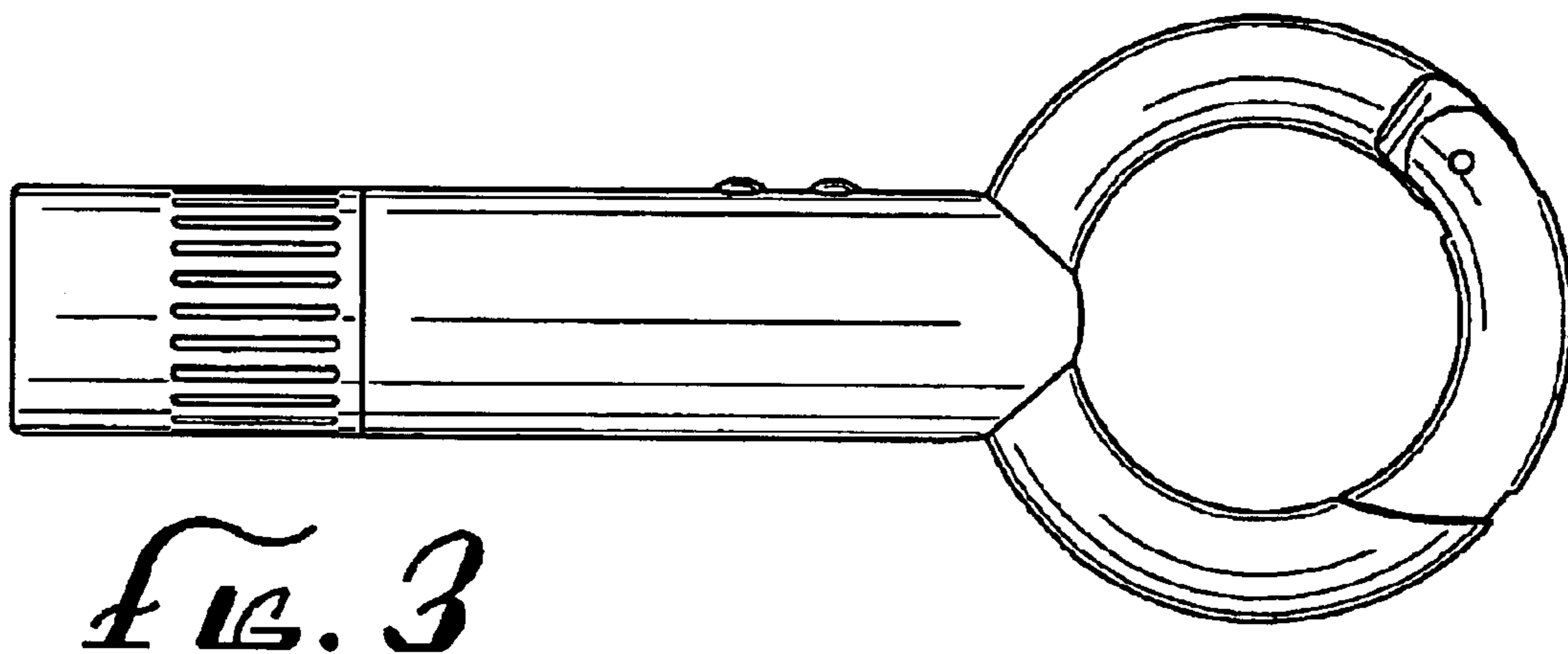
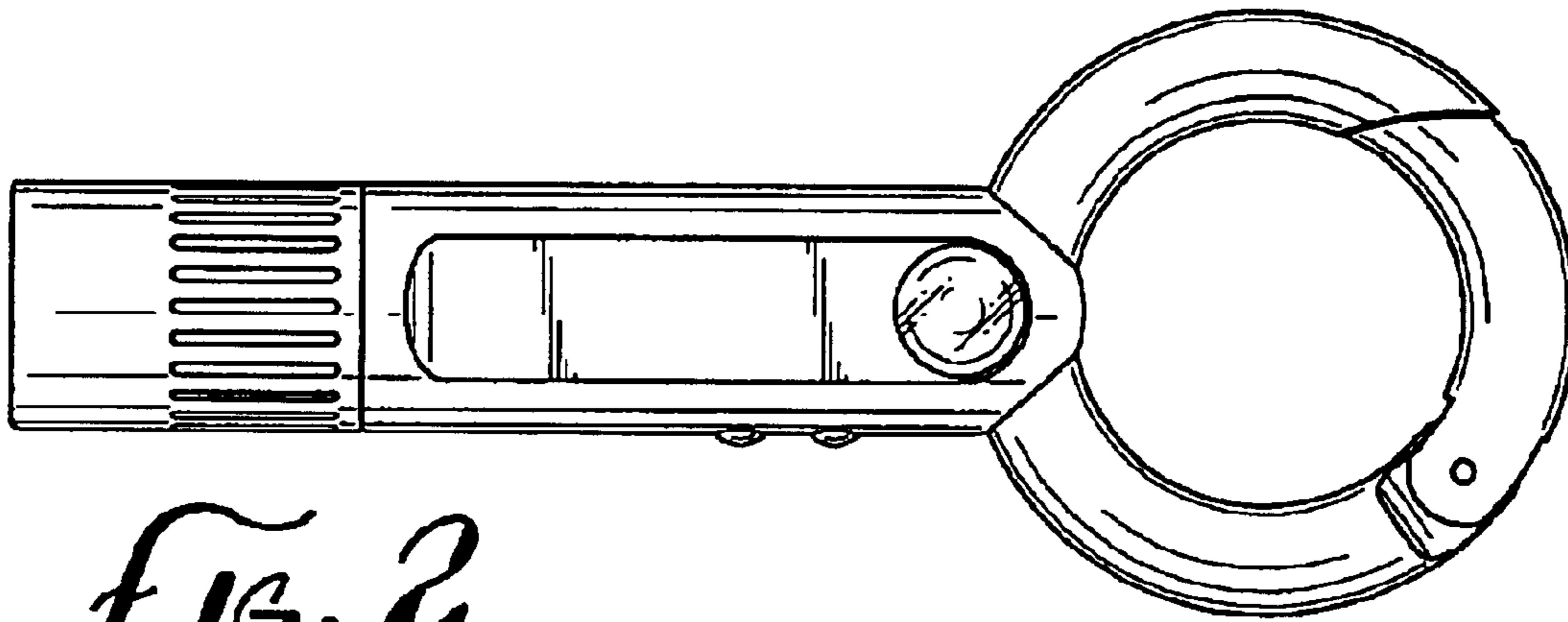
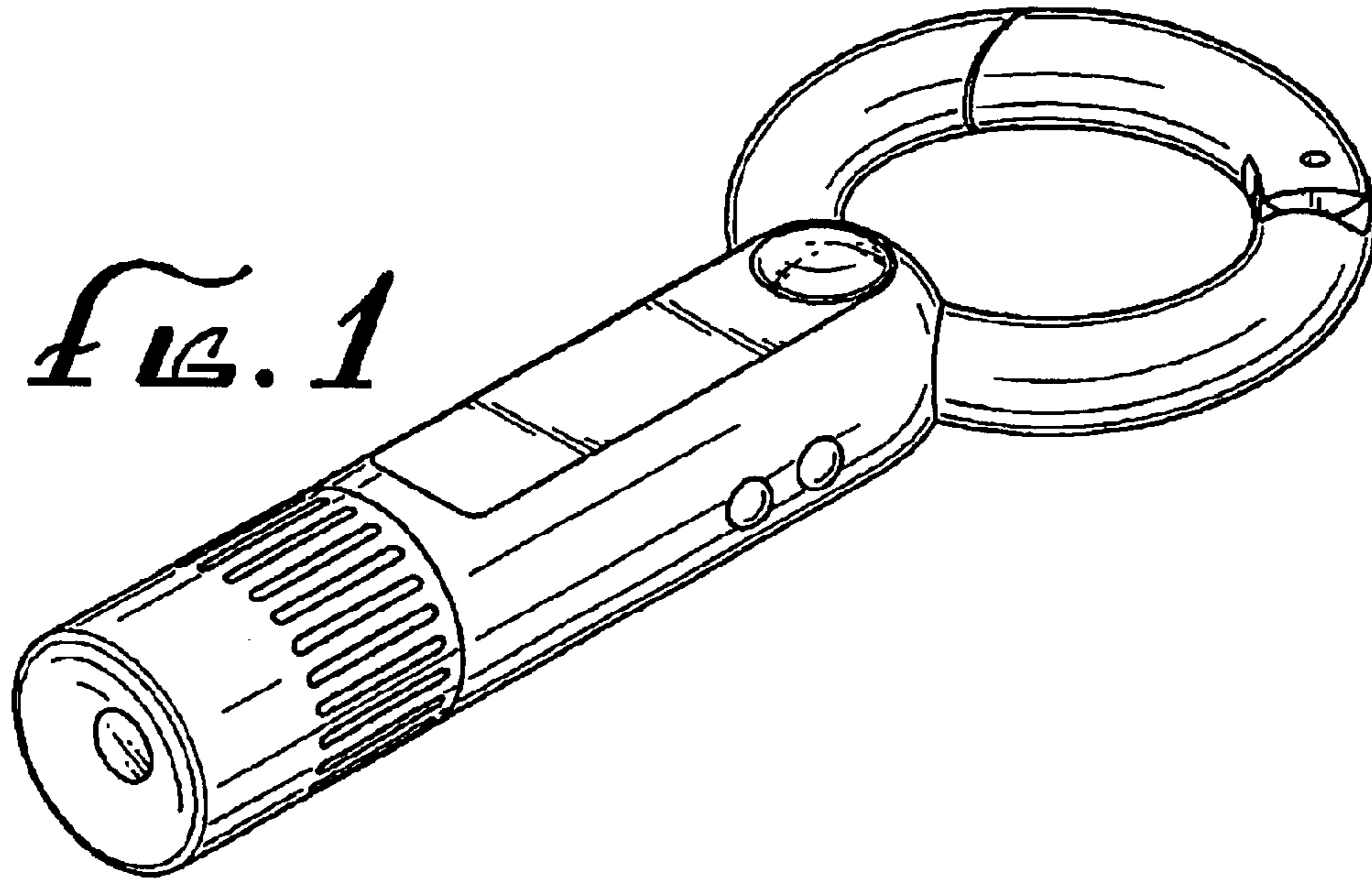
D430,321 S * 8/2000 Sharrah D26/37

D484,263 S * 12/2003 Kelleghan D26/37

* cited by examiner

1 Claim, 2 Drawing Sheets





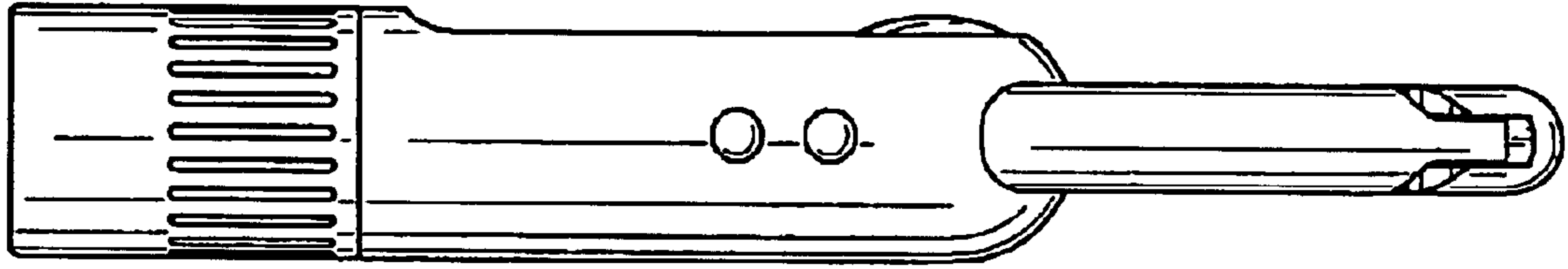


FIG. 4

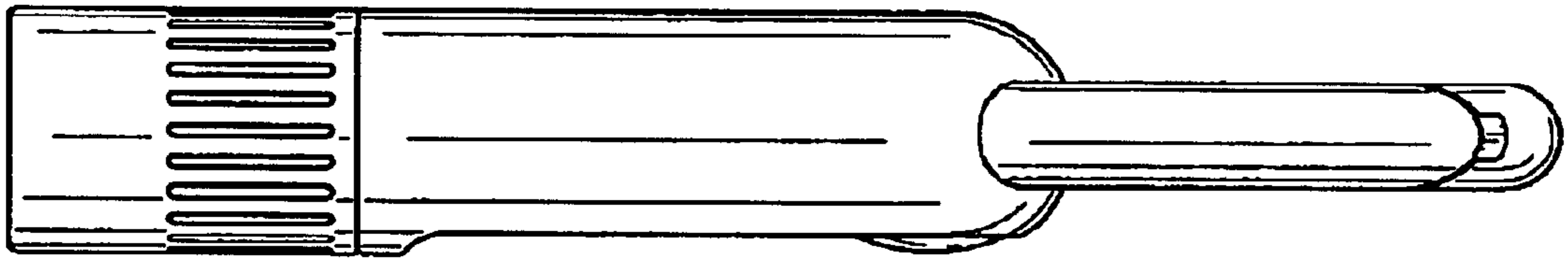


FIG. 5

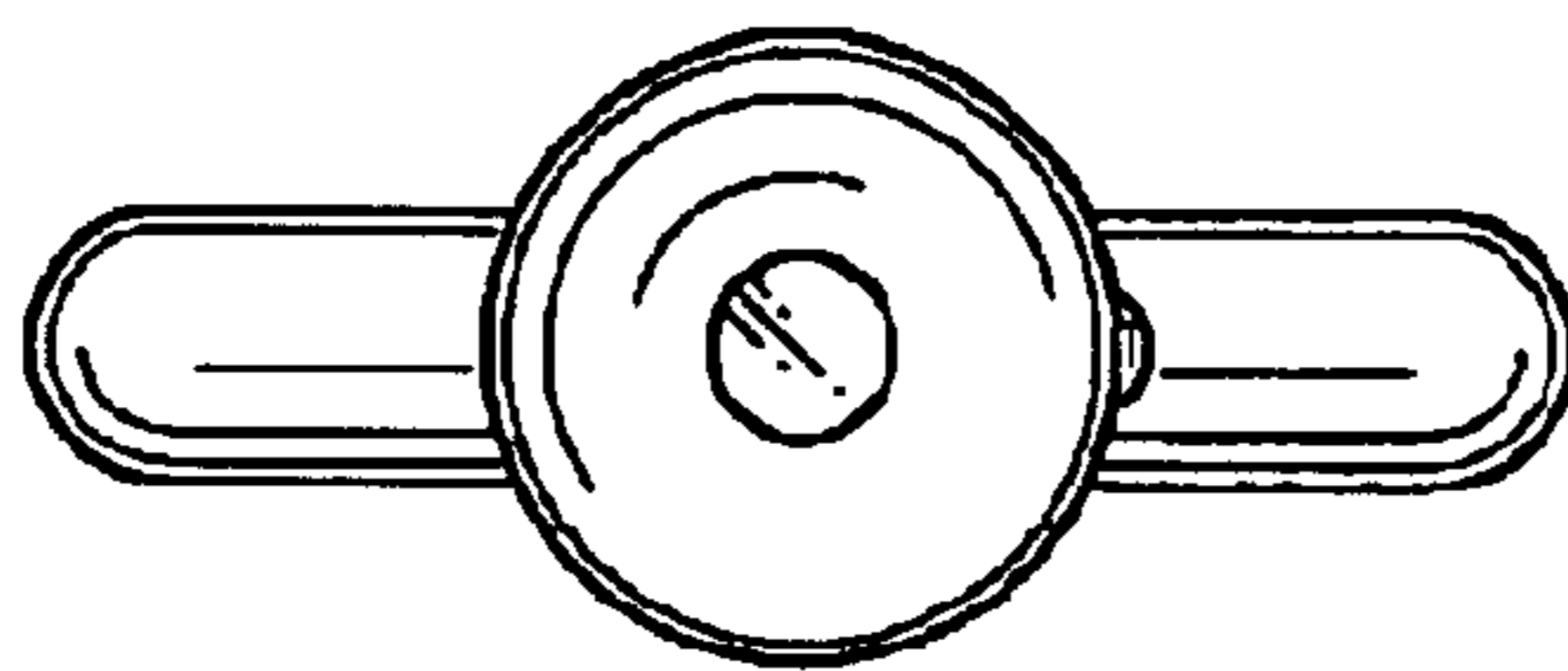


FIG. 6

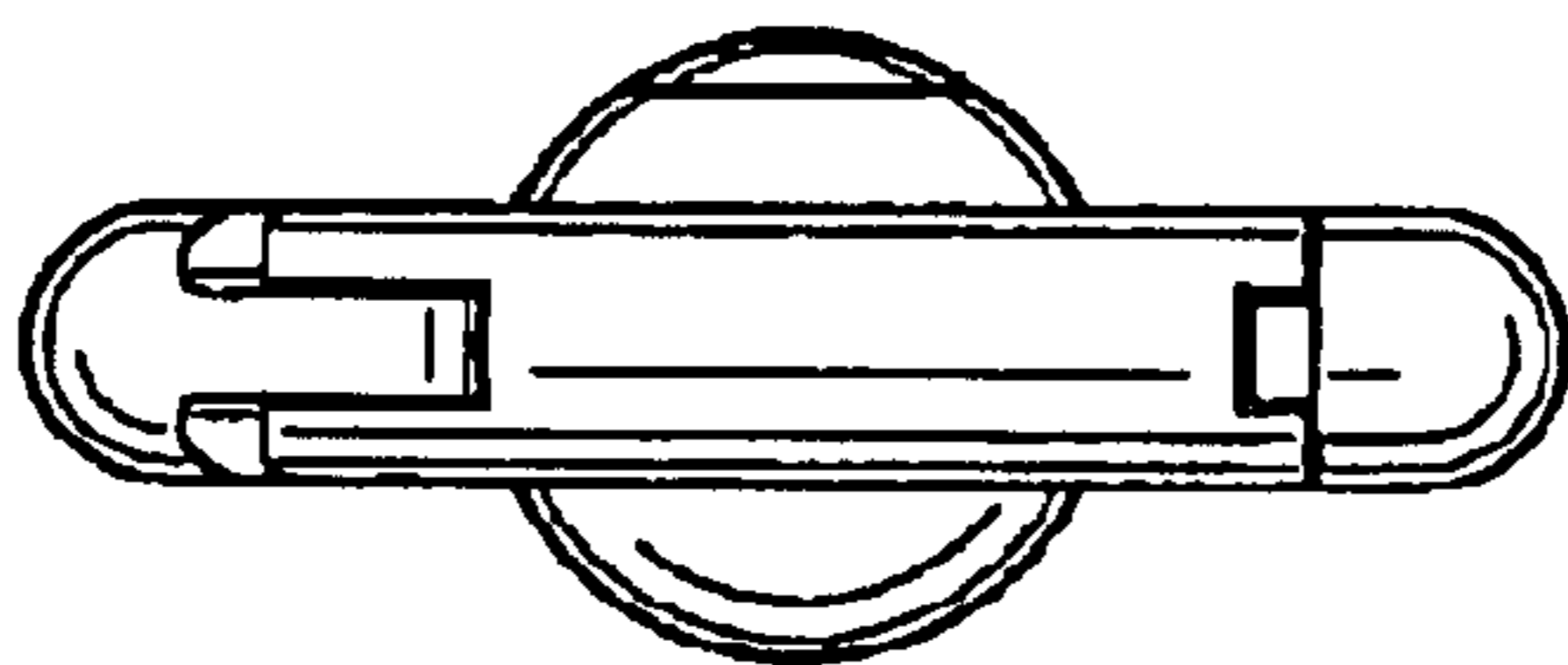


FIG. 7