

US00D494694S1

(12) **United States Design Patent**  
**Krieger et al.**

(10) **Patent No.: US D494,694 S**  
(45) **Date of Patent: \*\* Aug. 17, 2004**

(54) **MULTI-BEAM RECHARGEABLE  
FLASHLIGHT**

**DESCRIPTION**

(75) Inventors: **Michael Krieger**, Miami Beach, FL  
(US); **Kevin Ellsworth**, Hollywood, FL  
(US)

(73) Assignee: **Vector Products, Inc.**, Ft. Lauderdale,  
FL (US)

(\*\*) Term: **14 Years**

(21) Appl. No.: **29/192,819**

(22) Filed: **Oct. 31, 2003**

(51) **LOC (7) Cl.** ..... **26-02**

(52) **U.S. Cl.** ..... **D26/37**

(58) **Field of Search** ..... D26/37-50; 362/157,  
362/158, 171-174, 183-208

(56) **References Cited**

**U.S. PATENT DOCUMENTS**

- D436,196 S \* 1/2001 Chan et al. .... D26/37
- D481,811 S \* 11/2003 Krieger et al. .... D26/37
- D484,996 S \* 1/2004 Krieger et al. .... D26/37

\* cited by examiner

*Primary Examiner*—Marcus A. Jackson

(74) *Attorney, Agent, or Firm*—Venable LLP; Robert  
Kinberg

(57) **CLAIM**

The ornamental design for a multi-beam rechargeable flash-  
light, as shown and described.

FIG. 1 is a perspective view from the front-top-right side of  
the multi-beam rechargeable flashlight showing our new  
design;

FIG. 2 is a front view of the design shown in FIG. 1;

FIG. 3 is a rear view of the design shown in FIG. 1;

FIG. 4 is a left side view of the design shown in FIG. 1;

FIG. 5 is a right side view of the design shown in FIG. 1;

FIG. 6 is a top view of the design shown in FIG. 1;

FIG. 7 is a bottom view of the design shown in FIG. 1;

FIG. 8 is the perspective view shown in FIG. 1 with the  
flashlight being placed on a flashlight holder shown in  
broken lines;

FIG. 9 is a perspective view of another embodiment of the  
the multi-beam rechargeable flashlight from the front-top-  
right side;

FIG. 10 is a front view of the design shown in FIG. 9;

FIG. 11 is a rear view of the design shown in FIG. 9;

FIG. 12 is a left side view of the design shown in FIG. 9;

FIG. 13 is a right side view of the design shown in FIG. 9;

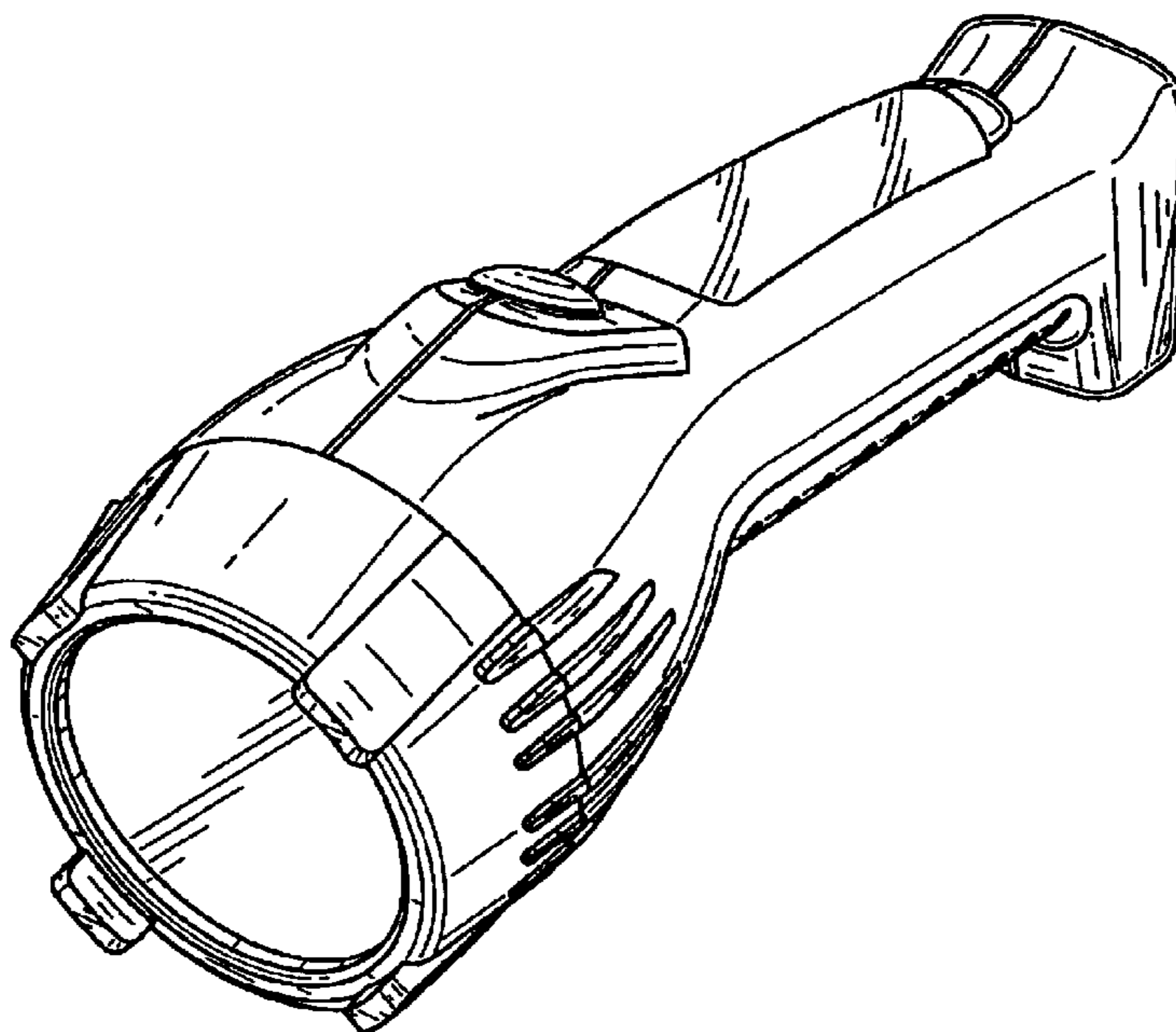
FIG. 14 is a top view of the design shown in FIG. 9;

FIG. 15 is a bottom view of the design shown in FIG. 9; and,

FIG. 16 is the perspective view shown in FIG. 9 with the  
flashlight being placed on a flashlight holder shown in  
broken lines.

The broken lines immediately adjacent the shaded areas  
represent the bounds of the claimed design while all other  
broken lines are for illustrative purposes only; the broken  
lines form no part of the claimed design.

**1 Claim, 14 Drawing Sheets**



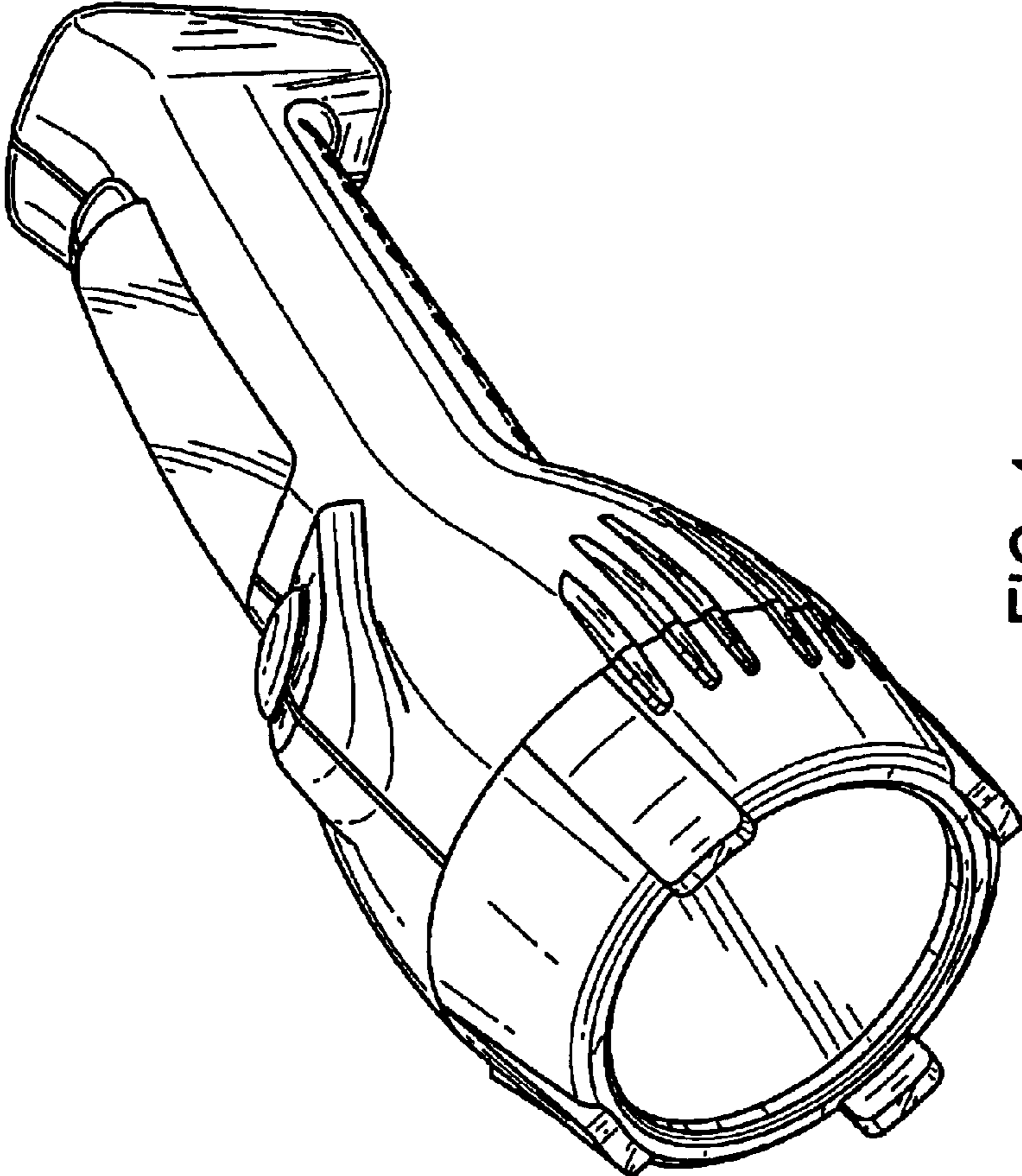


FIG. 1

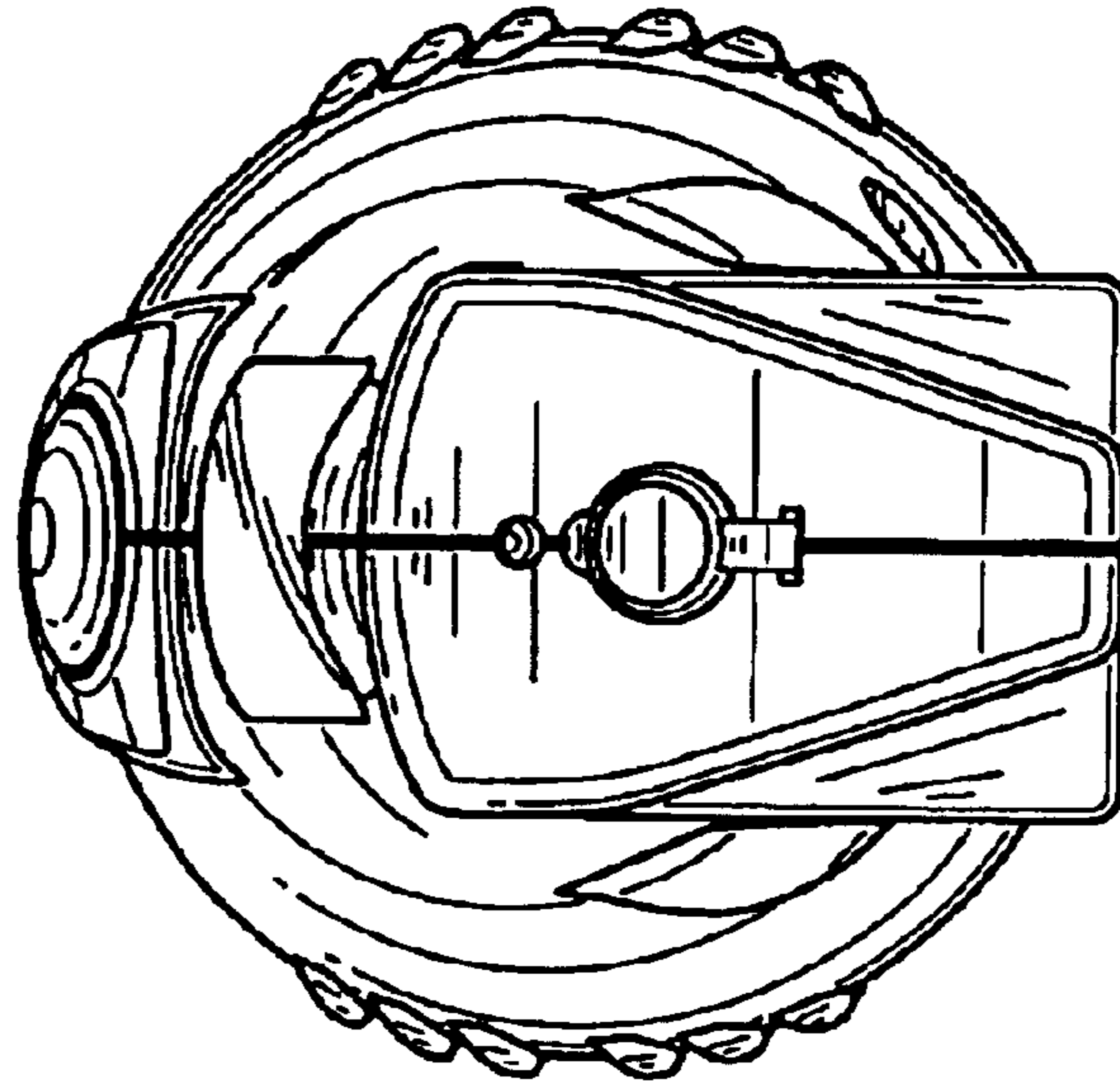


FIG. 3

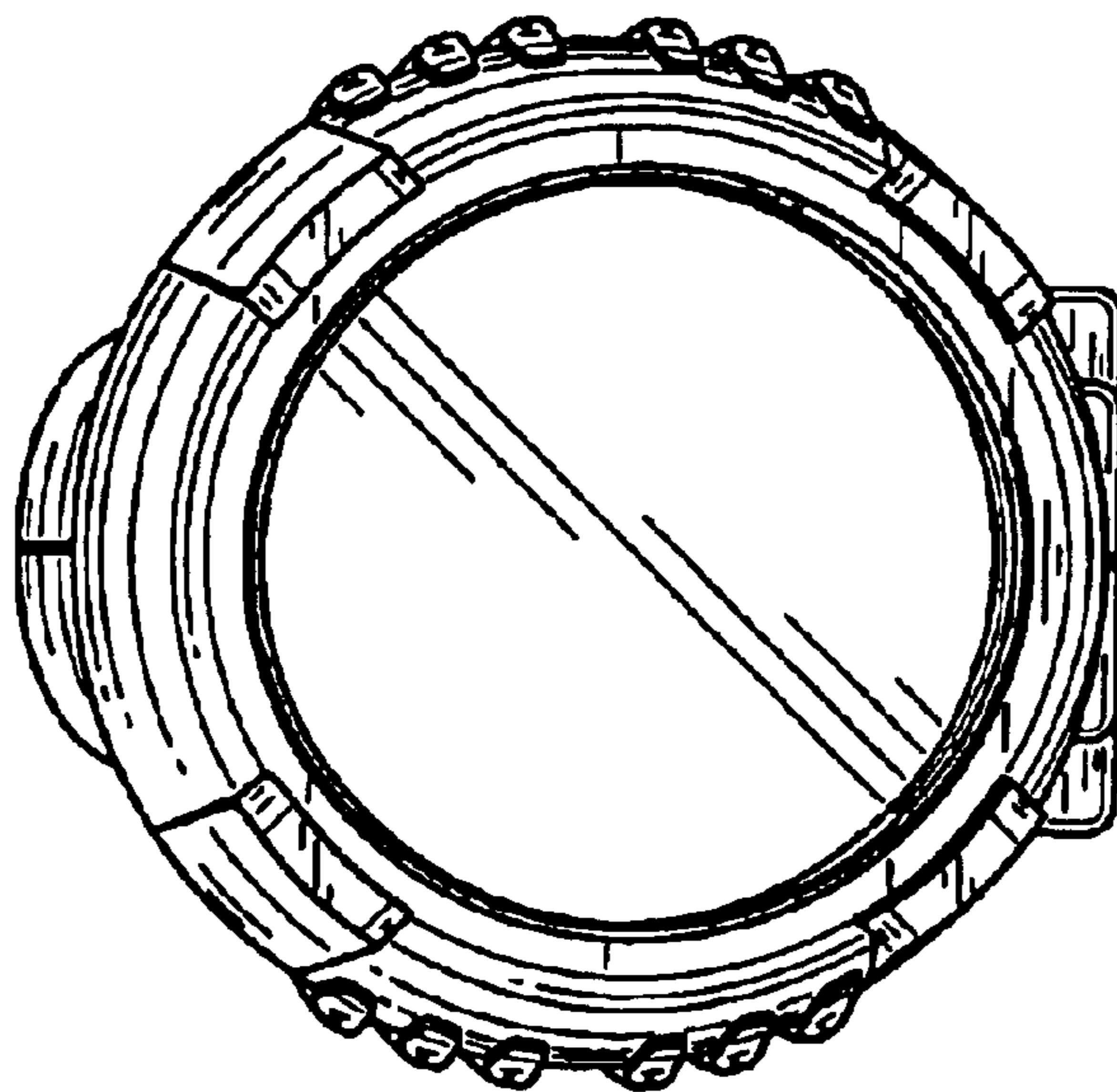


FIG. 2

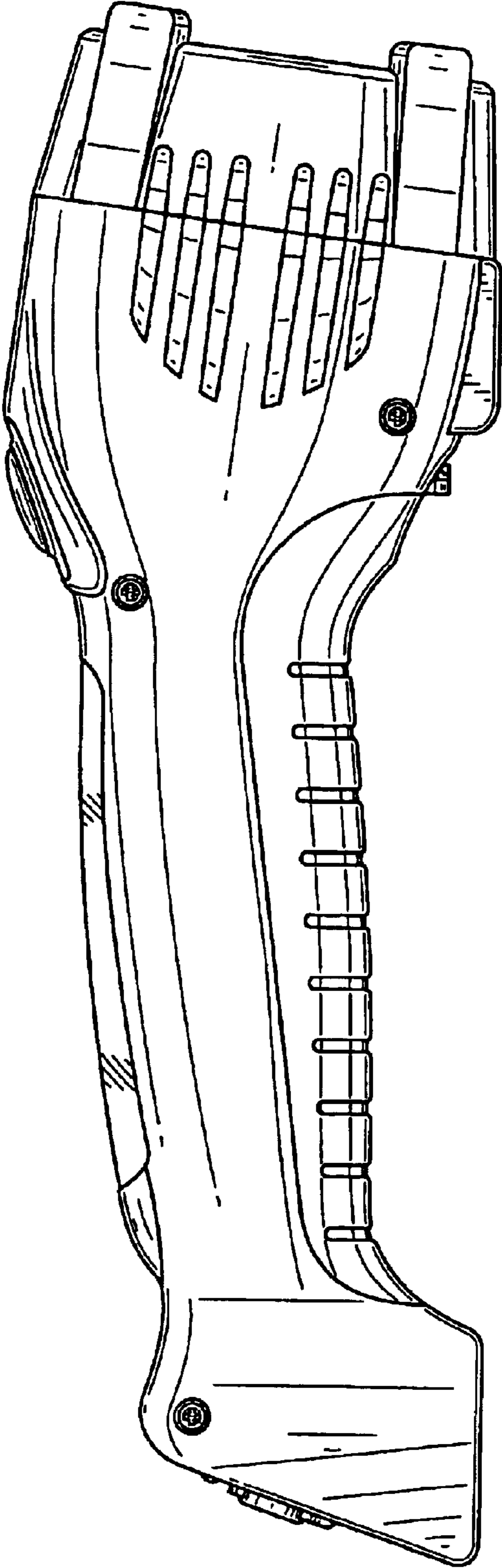


FIG. 4

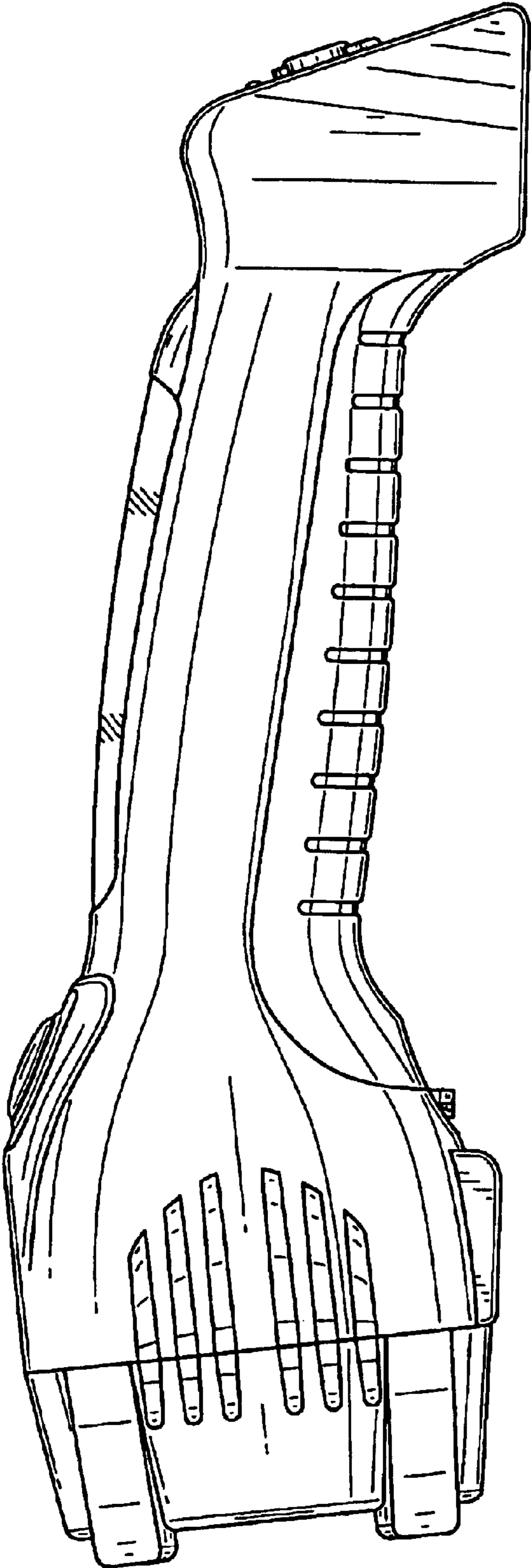


FIG. 5

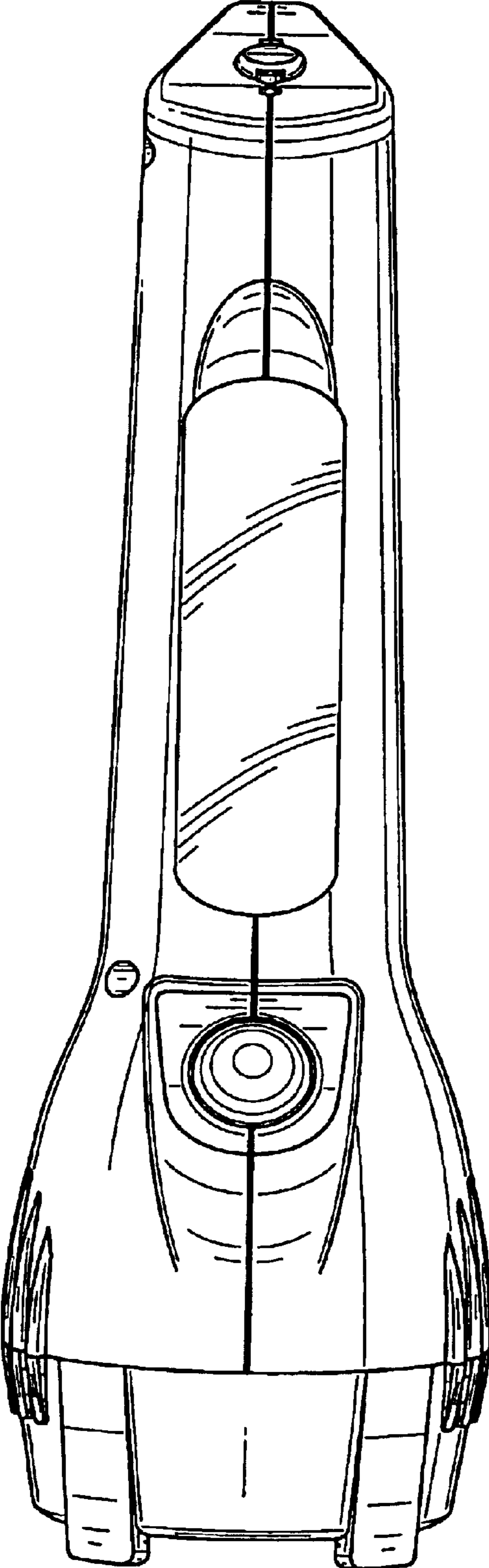


FIG. 6

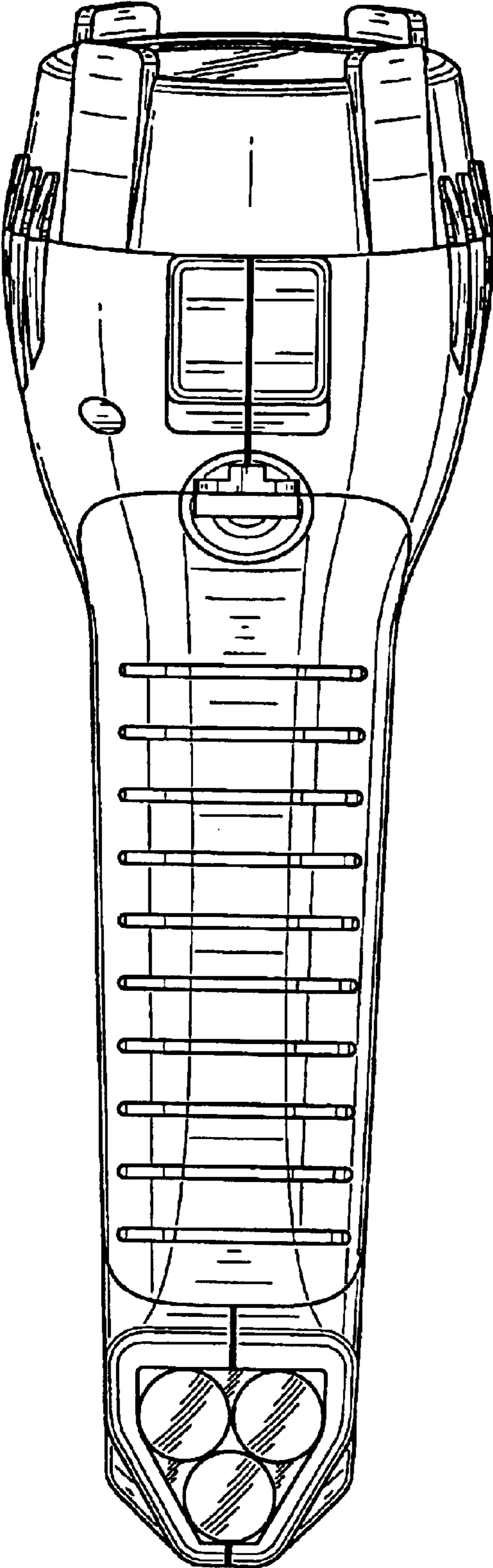


FIG. 7

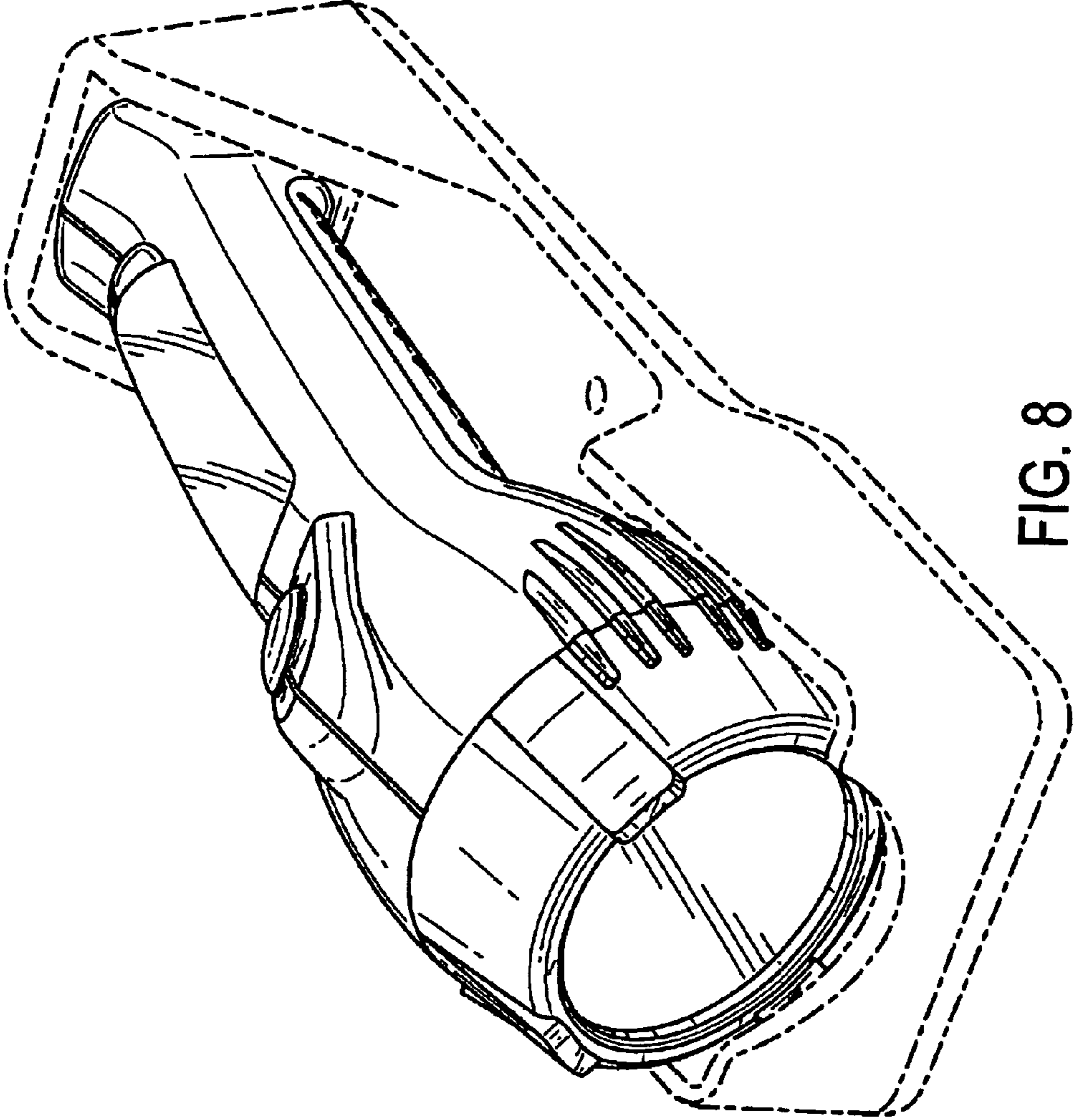


FIG. 8



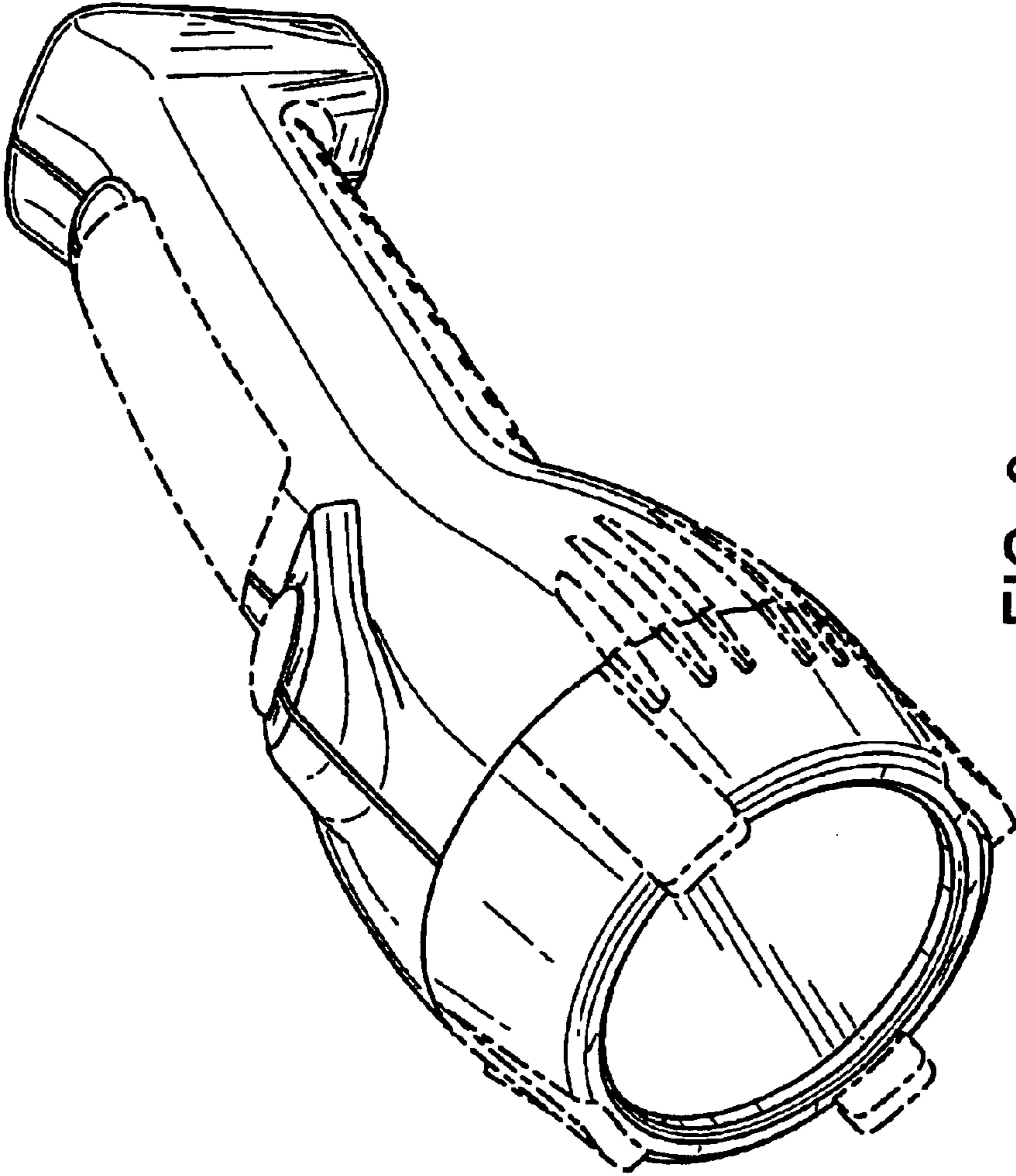


FIG. 9

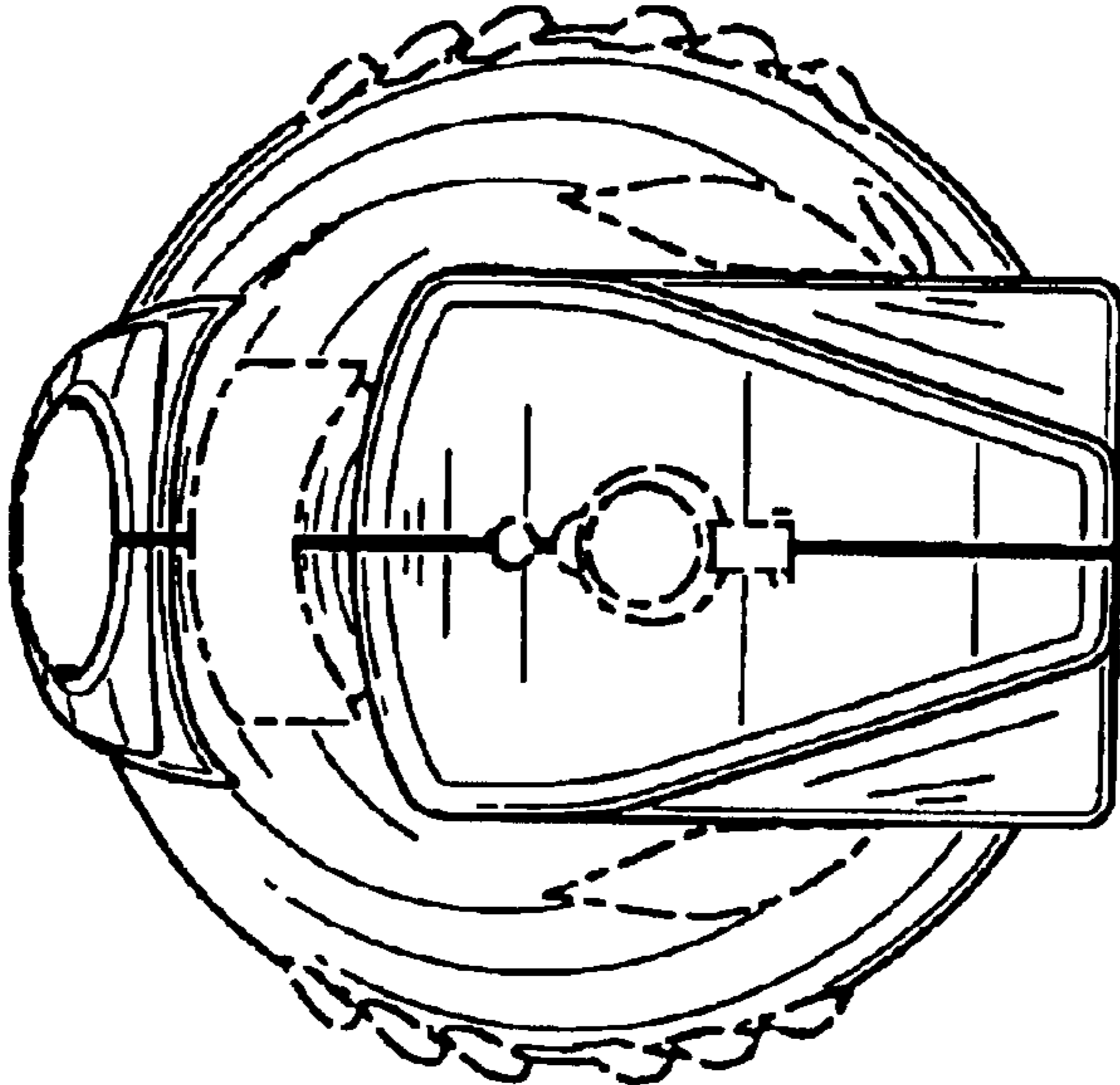


FIG. 11

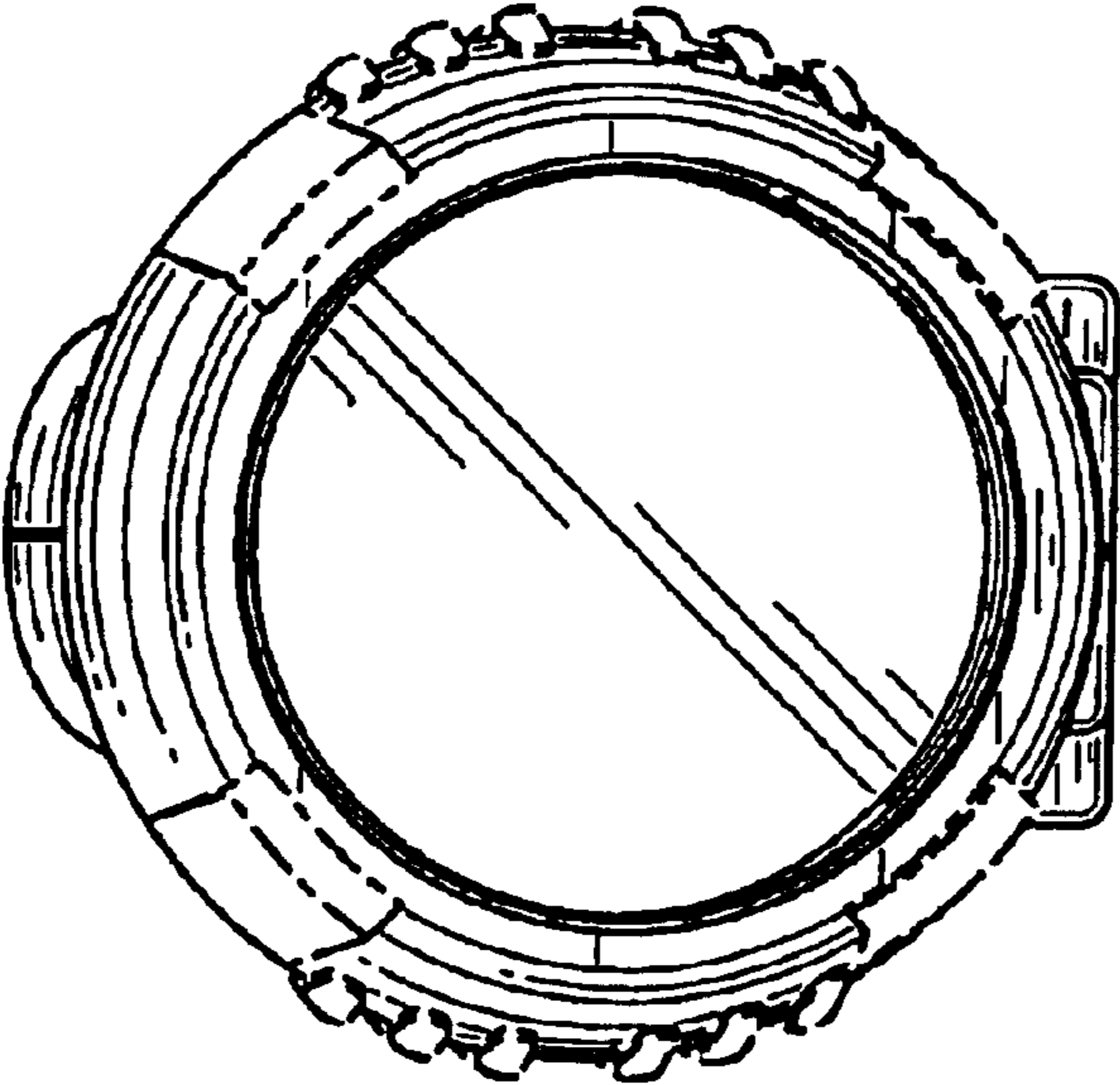


FIG. 10

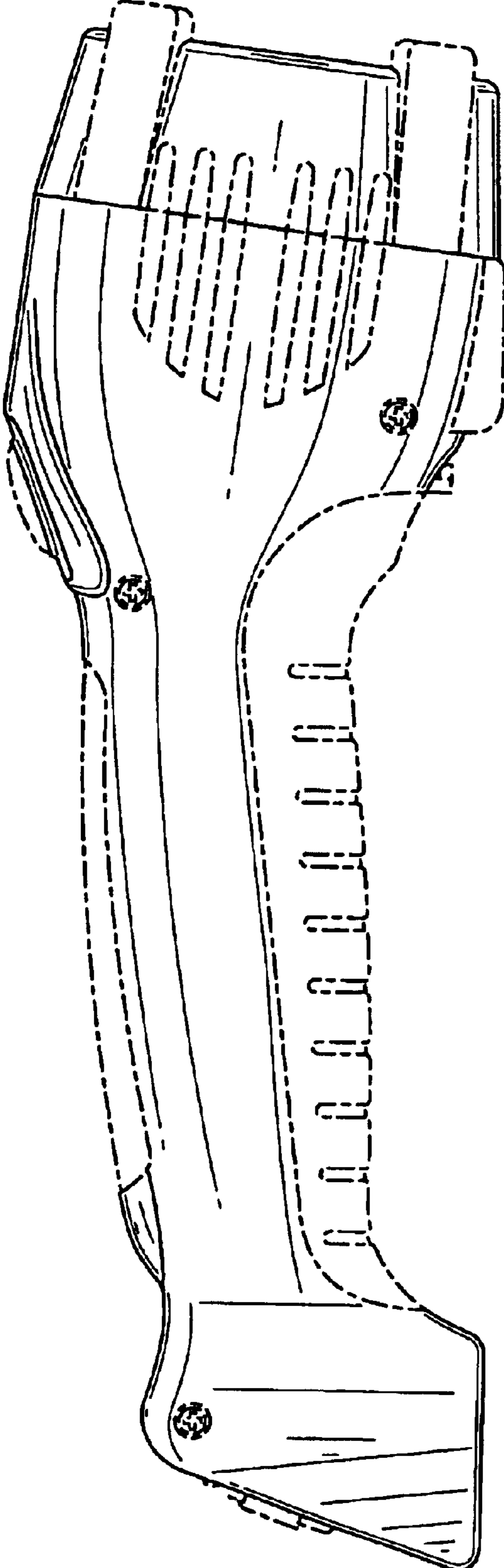


FIG. 12

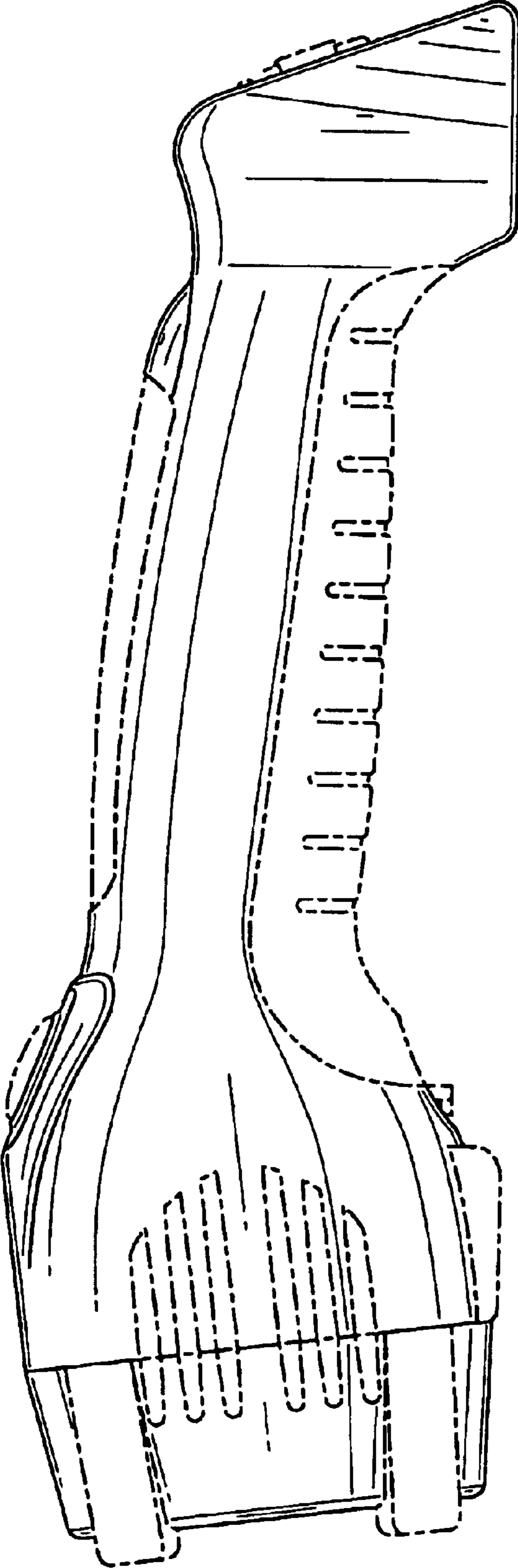


FIG. 13

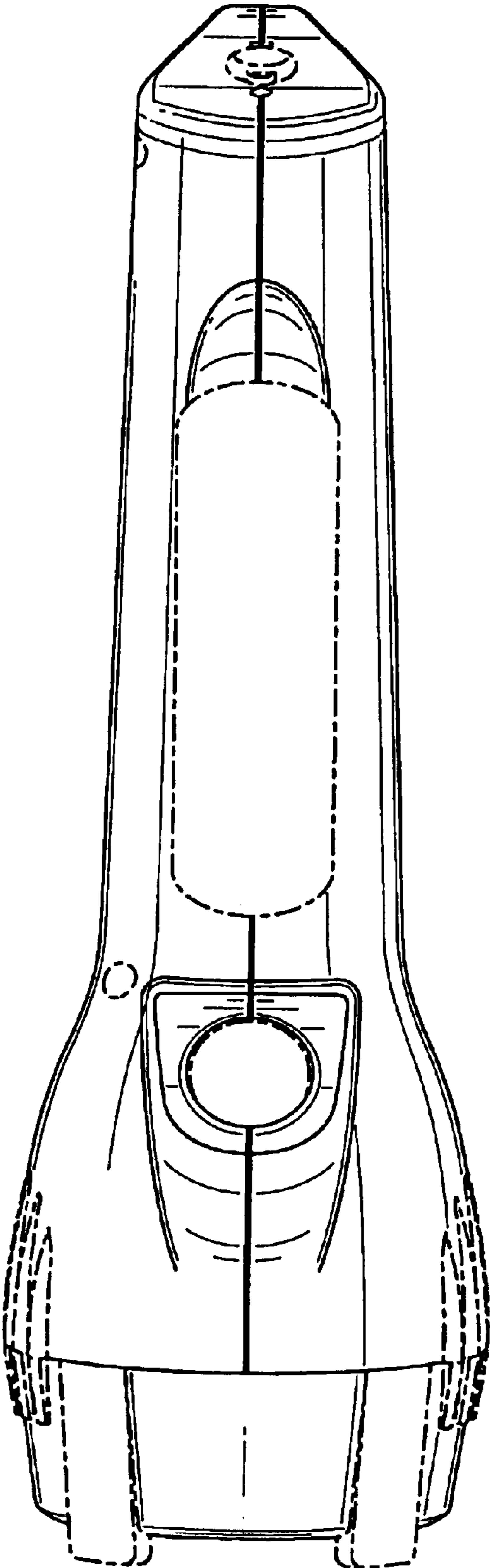


FIG. 14

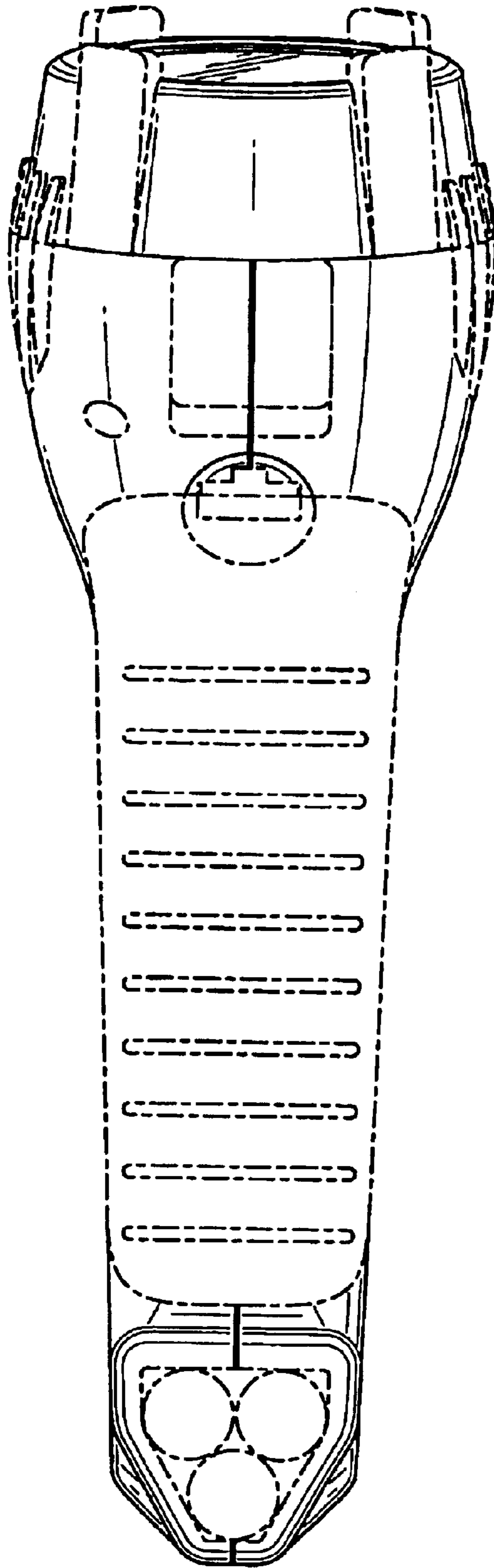


FIG. 15

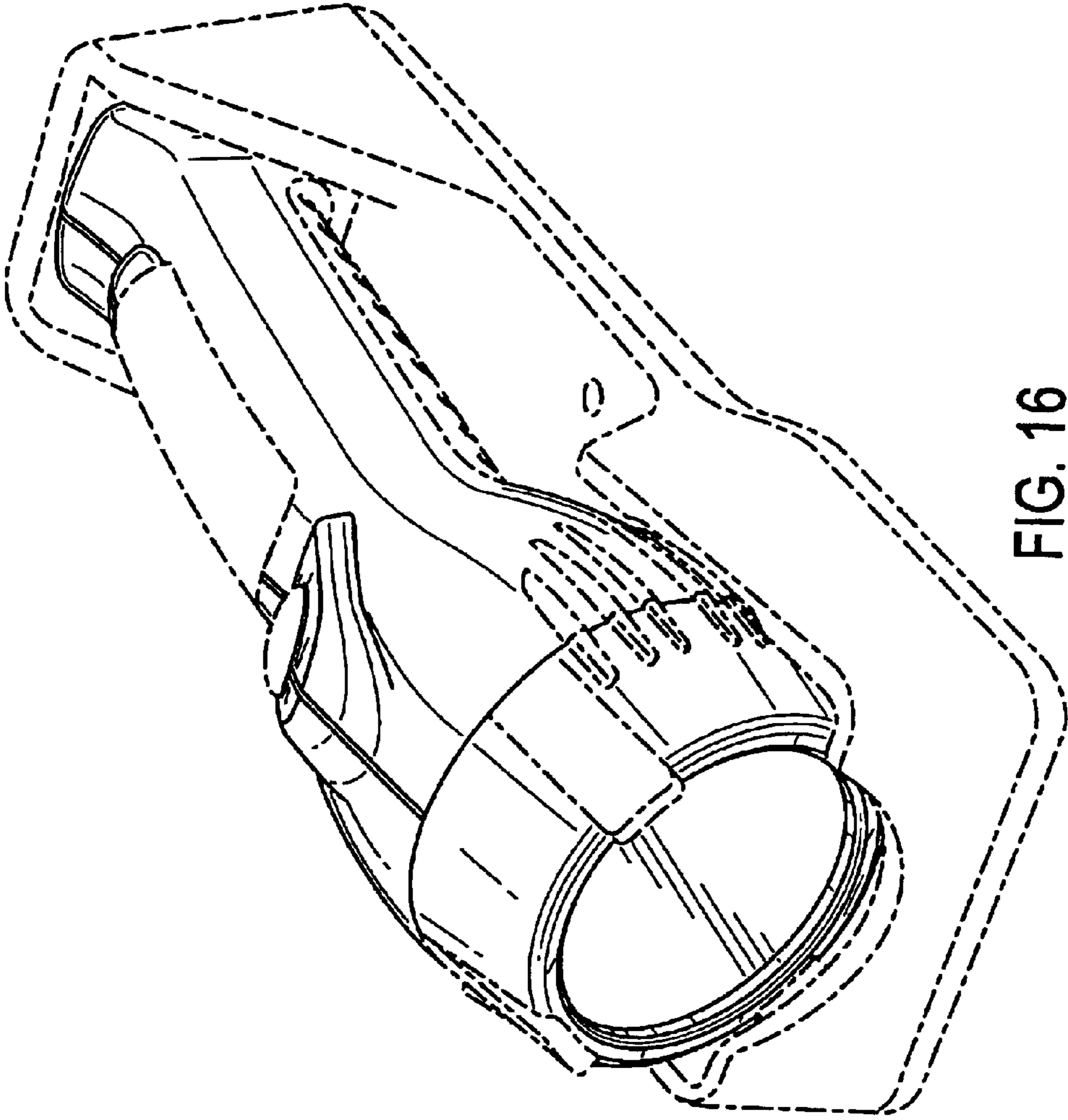


FIG. 16