

US00D494693S1

(12) **United States Design Patent**  
**Krieger et al.**

(10) **Patent No.:** **US D494,693 S**

(45) **Date of Patent:** **\*\* Aug. 17, 2004**

(54) **FLASHLIGHT HOLDER WITH MOUNTED FLASHLIGHT**

D436,196 S \* 1/2001 Chan et al. .... D26/37

\* cited by examiner

(75) Inventors: **Michael Krieger**, Miami Beach, FL (US); **Kevin Ellsworth**, Hollywood, FL (US)

*Primary Examiner*—Marcus A. Jackson  
(74) *Attorney, Agent, or Firm*—Venable LLP; Robert Kinberg

(73) Assignee: **Vector Products, Inc.**, Ft. Lauderdale, FL (US)

(57) **CLAIM**

(\*\*) Term: **14 Years**

The ornamental design for a flashlight holder with mounted flashlight, as shown and described.

(21) Appl. No.: **29/191,832**

**DESCRIPTION**

(22) Filed: **Oct. 16, 2003**

FIG. 1 is a perspective view from the front-top-right side of the flashlight holder with mounted flashlight showing our new design;

(51) **LOC (7) Cl.** ..... **26-02**

(52) **U.S. Cl.** ..... **D26/37**

(58) **Field of Search** ..... D26/37-50; 362/157, 362/158, 171-174, 183-208

FIG. 2 is a front view of the design shown in FIG. 1;

FIG. 3 is a rear view of the design shown in FIG. 1;

FIG. 4 is a left side view of the design shown in FIG. 1;

FIG. 5 is a right side view of the design shown in FIG. 1;

FIG. 6 is a top view of the design shown in FIG. 1; and,

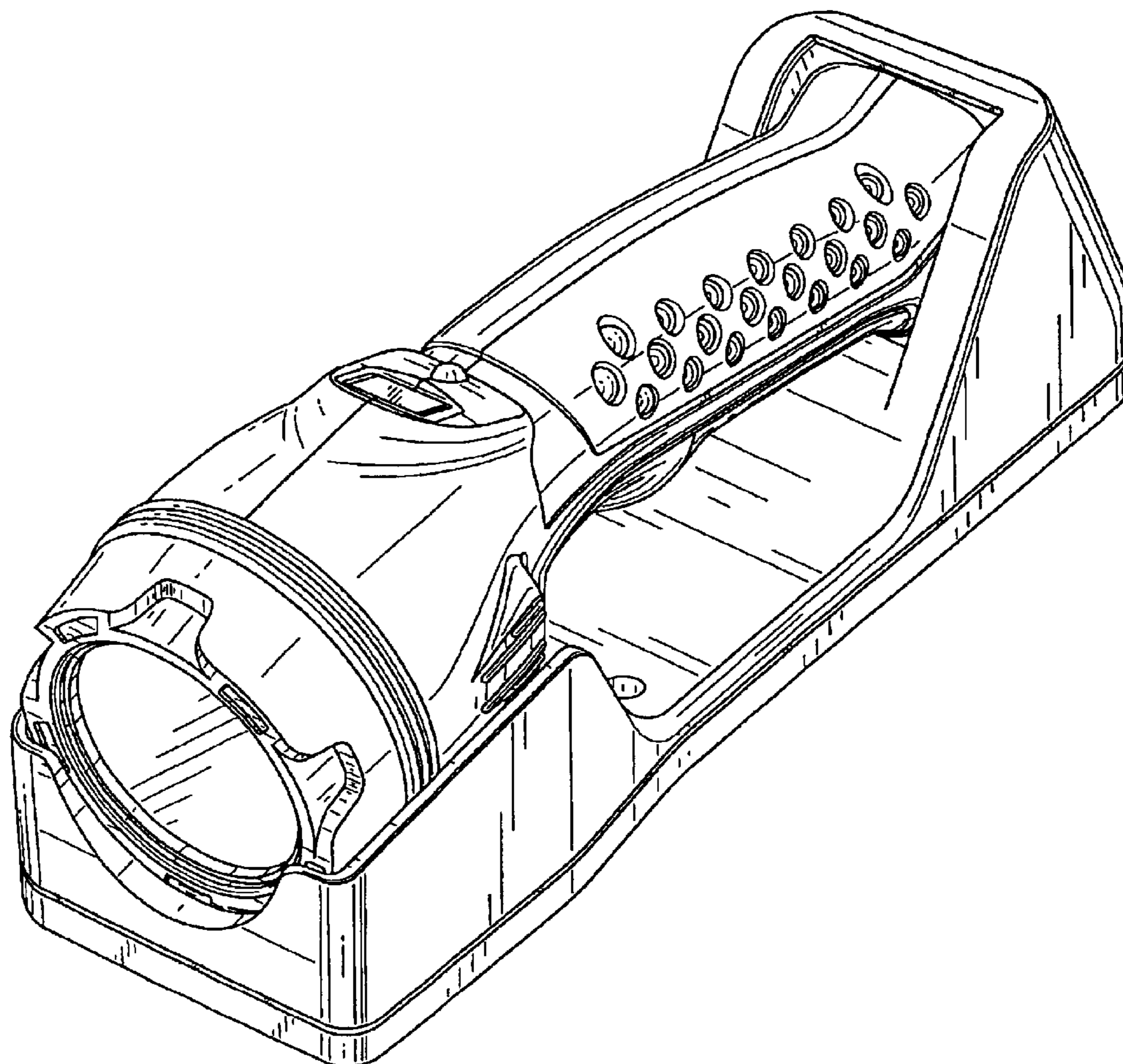
FIG. 7 is a bottom view of the design shown in FIG. 1.

(56) **References Cited**

**U.S. PATENT DOCUMENTS**

D347,079 S \* 5/1994 Hung ..... D26/38

**1 Claim, 6 Drawing Sheets**



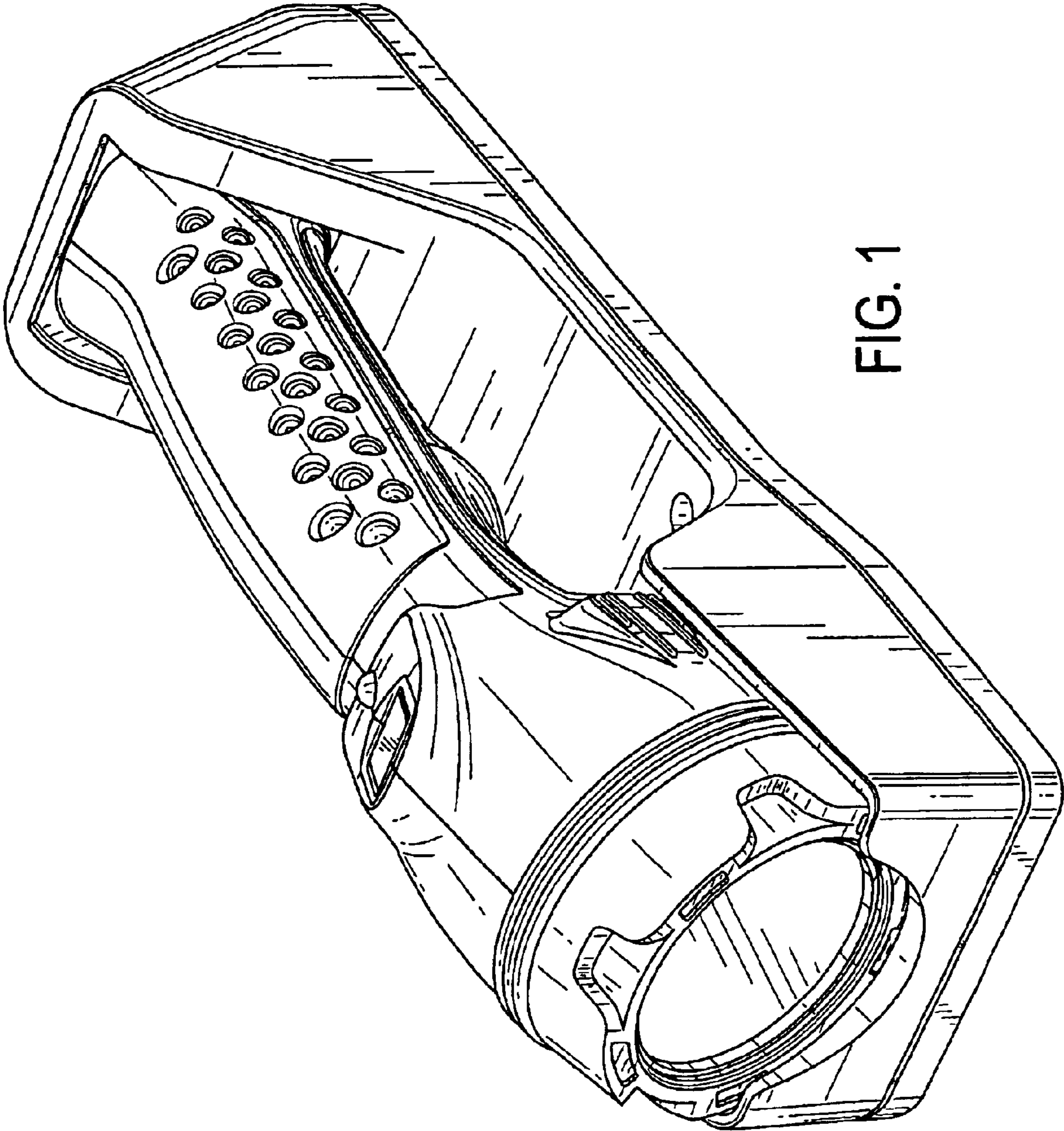


FIG. 1

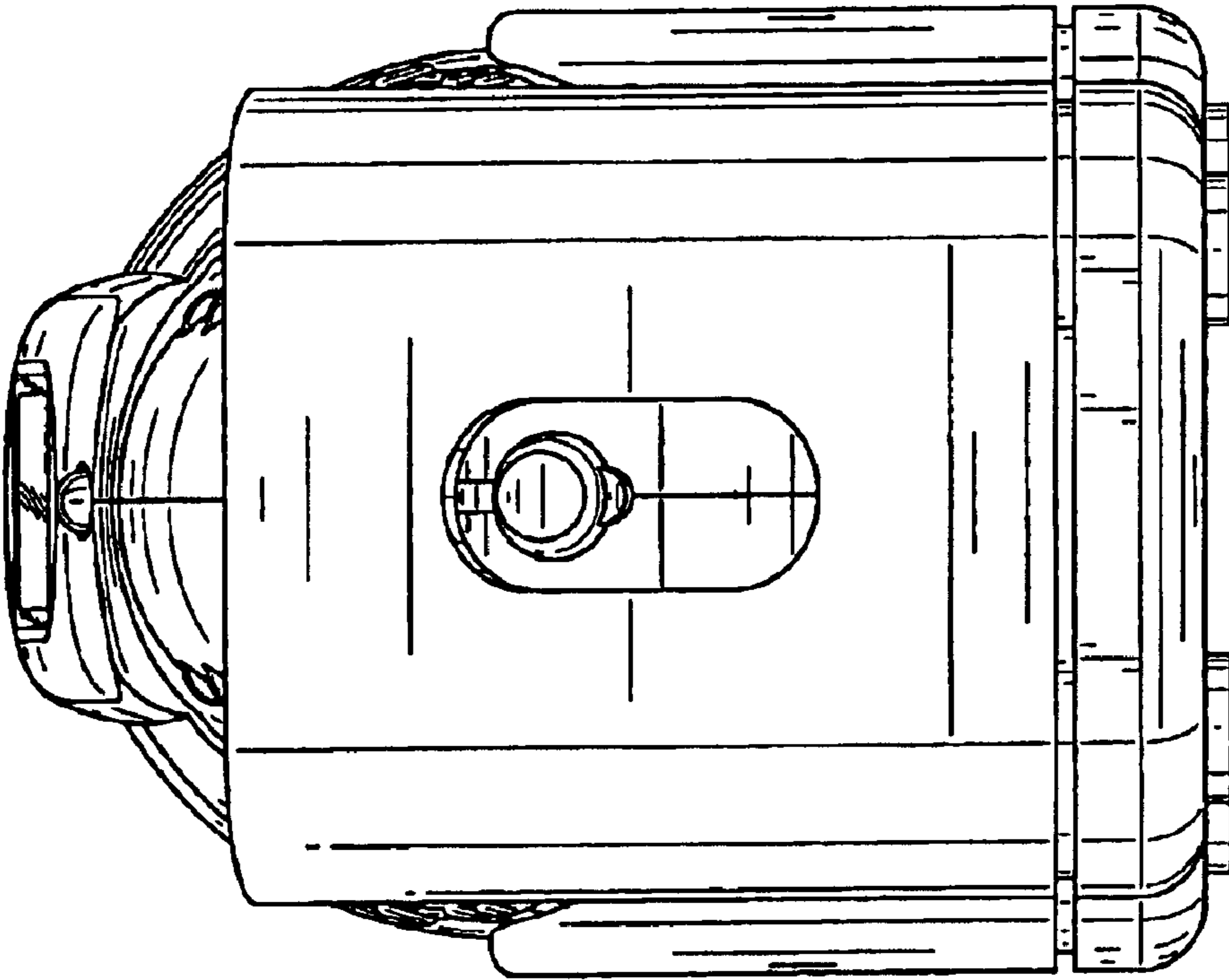


FIG. 3

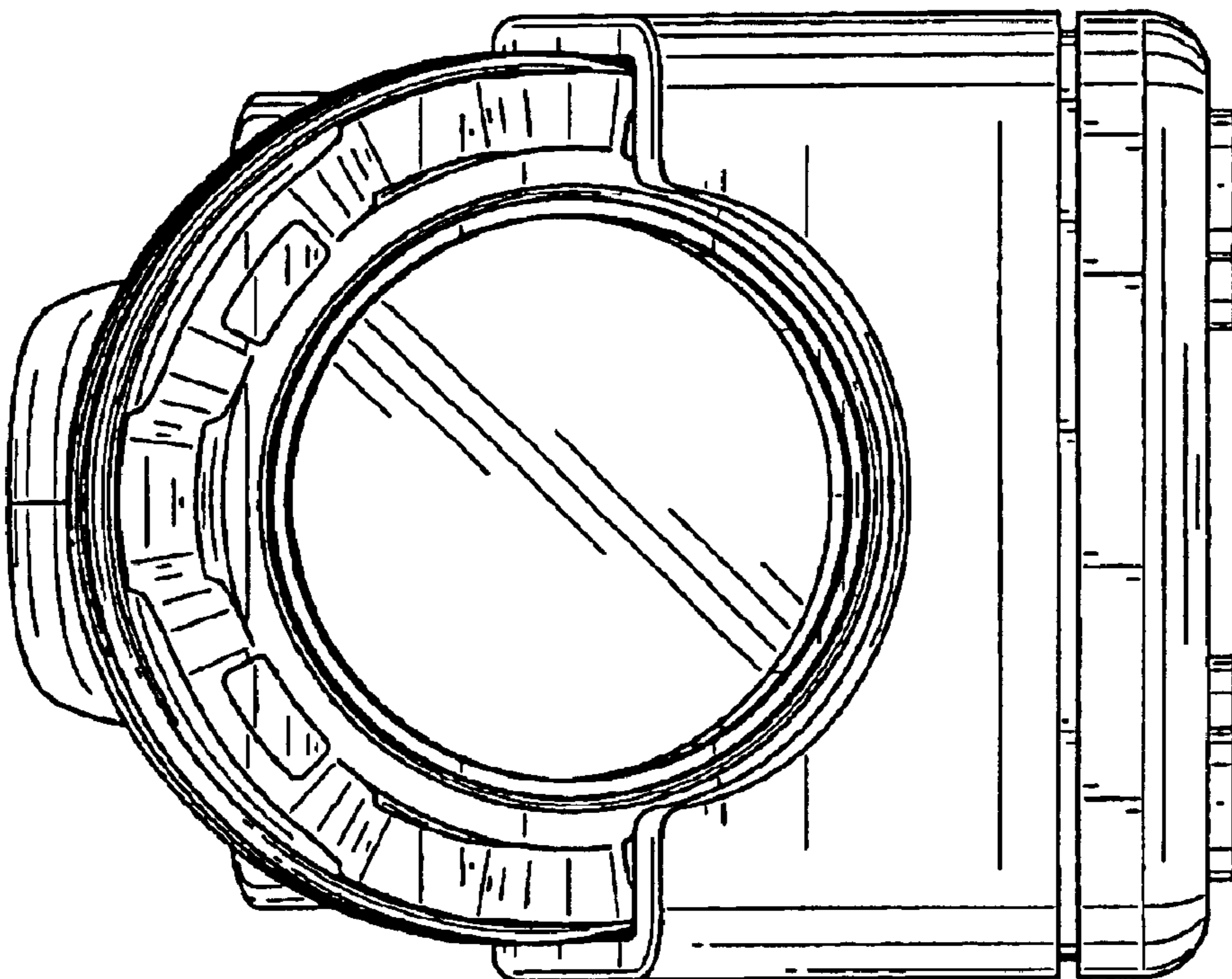


FIG. 2

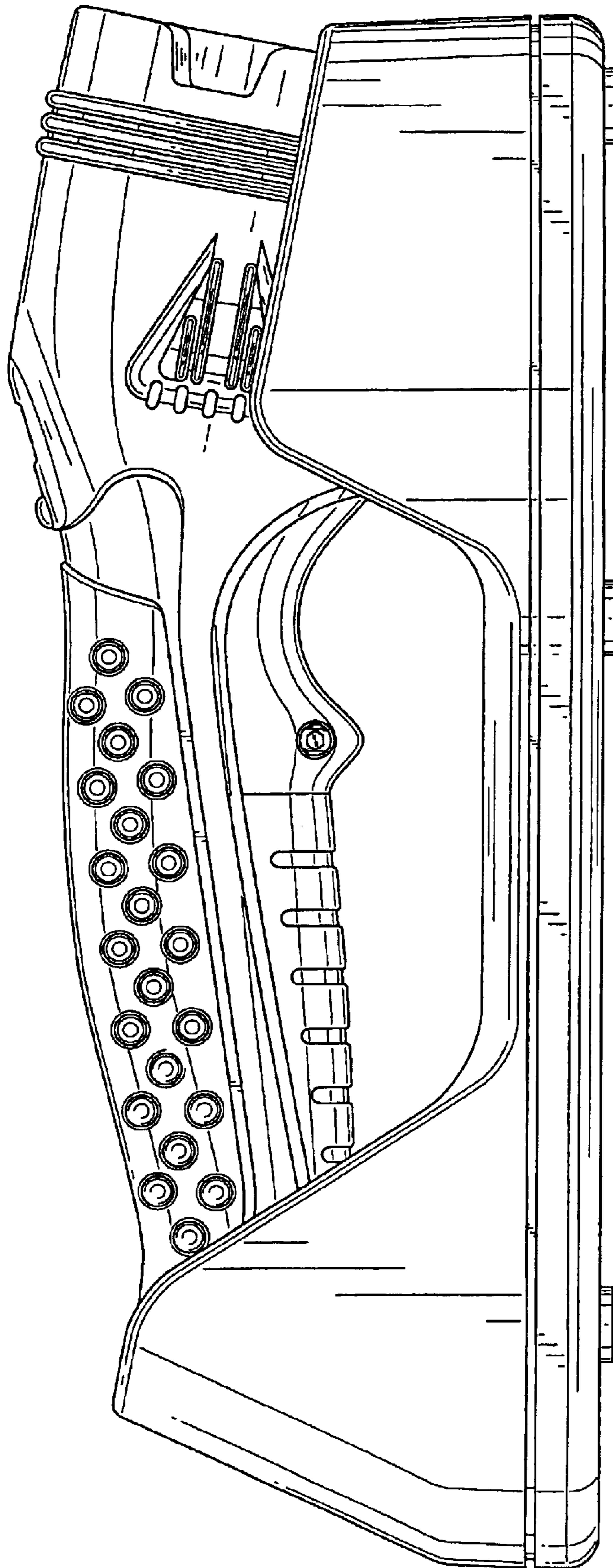


FIG. 4

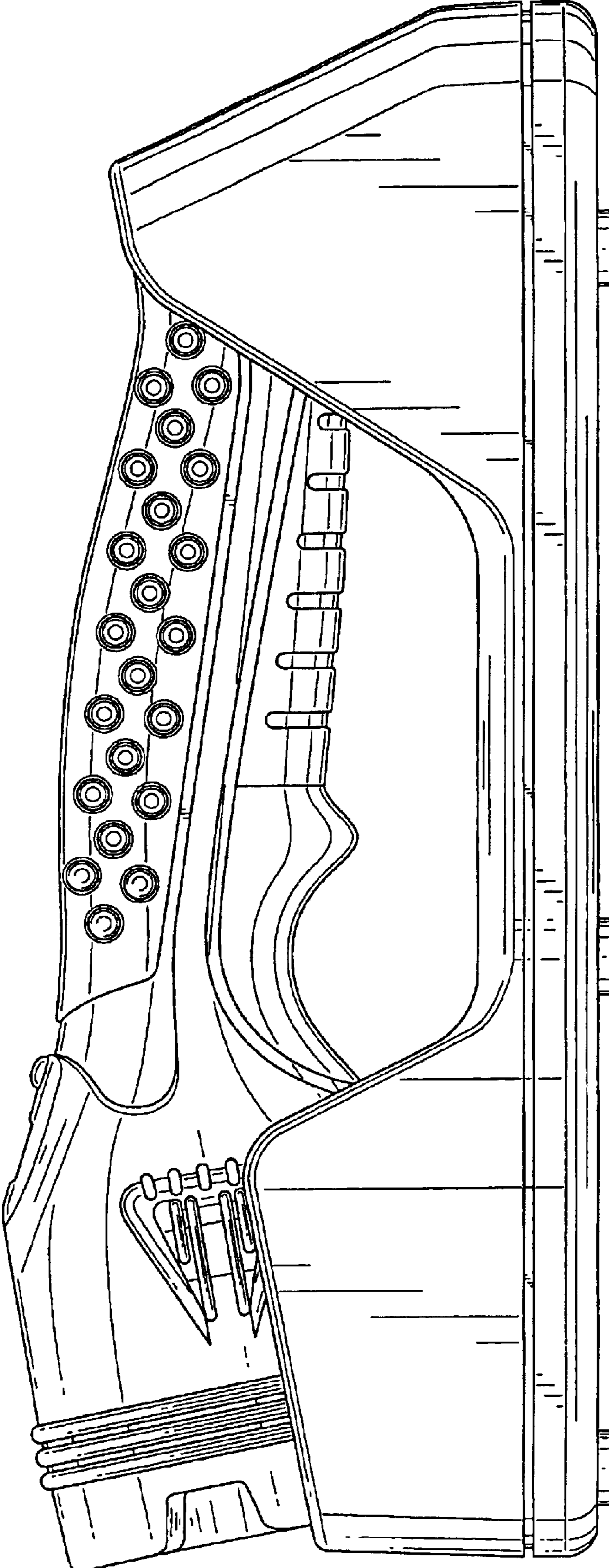


FIG. 5

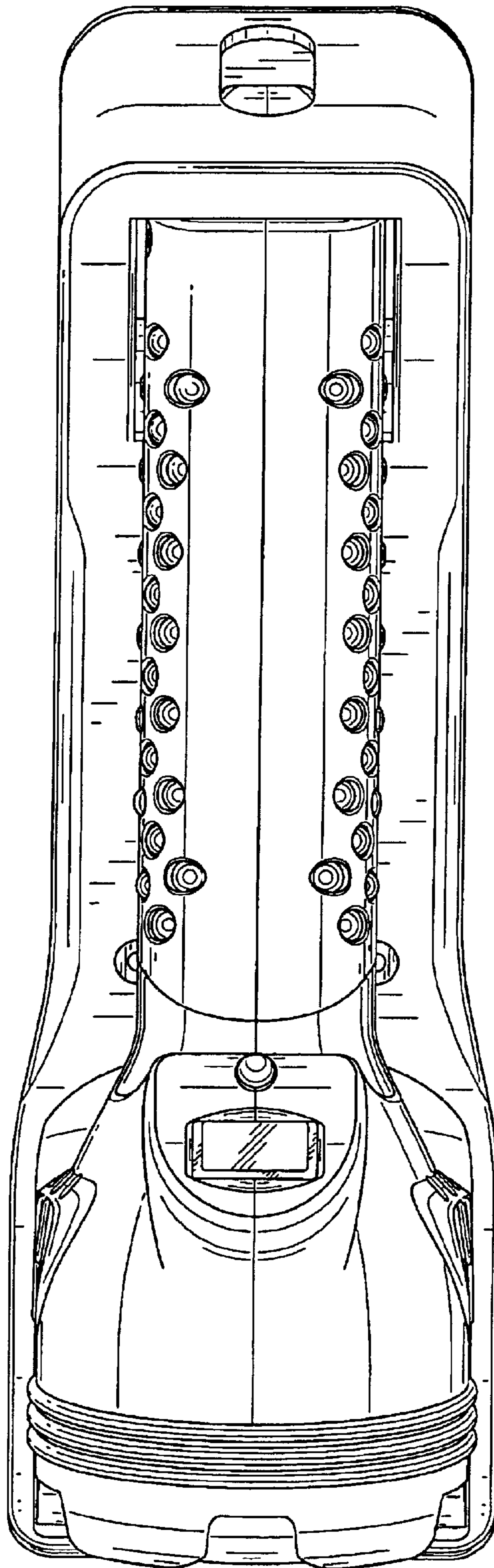


FIG. 6

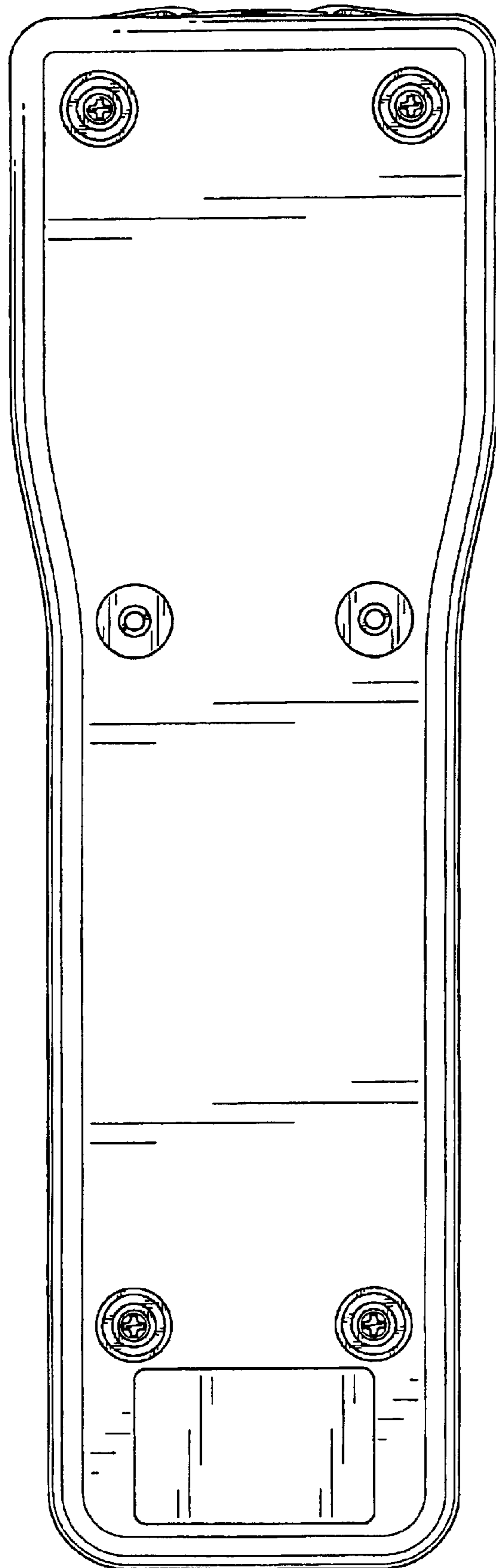


FIG. 7