



US00D494690S1

(12) **United States Design Patent**
Peddada

(10) **Patent No.:** **US D494,690 S**

(45) **Date of Patent:** **** Aug. 17, 2004**

(54) **VASE AND CANDLE STAND**

(76) **Inventor:** **Raju Peddada**, 508 E. Lincoln Ave.,
Des Plaines, IL (US) 60018

(**) **Term:** **14 Years**

(21) **Appl. No.:** **29/187,002**

(22) **Filed:** **Jul. 24, 2003**

(51) **LOC (7) Cl.** **26-01**

(52) **U.S. Cl.** **D26/9**

(58) **Field of Search** D26/9, 10, 13,
D26/15, 23, 142; 431/288, 291, 295

(56) **References Cited**

U.S. PATENT DOCUMENTS

D361,632 S	*	8/1995	Ratia	D26/10
D412,996 S	*	8/1999	Chang	D26/9
D434,862 S	*	12/2000	Fait	D26/9
D475,148 S	*	5/2003	Hatton	D26/9

* cited by examiner

Primary Examiner—Robin V. Taylor

(74) *Attorney, Agent, or Firm*—Marshall E. Rosenberg

(57) **CLAIM**

The ornamental design for a vase and candle stand, as shown and described.

DESCRIPTION

FIG. 1 is a side elevational view of the vase and candle stand of the present invention, showing my new design configured in a vertically intermediate orientation.

FIG. 2 is a second side elevational view of the vase and candle stand shown in FIG. 1.

FIG. 3 is a third side elevational view of the vase and candle stand shown in FIG. 1.

FIG. 4 is a top view of the vase and candle stand shown in FIG. 1.

FIG. 5 is a bottom view of the vase and candle stand shown in FIG. 1; and,

FIG. 6 is a side elevational view of the vase and candle stand shown in FIG. 1 with the legs inverted and adjusted vertically.

1 Claim, 3 Drawing Sheets

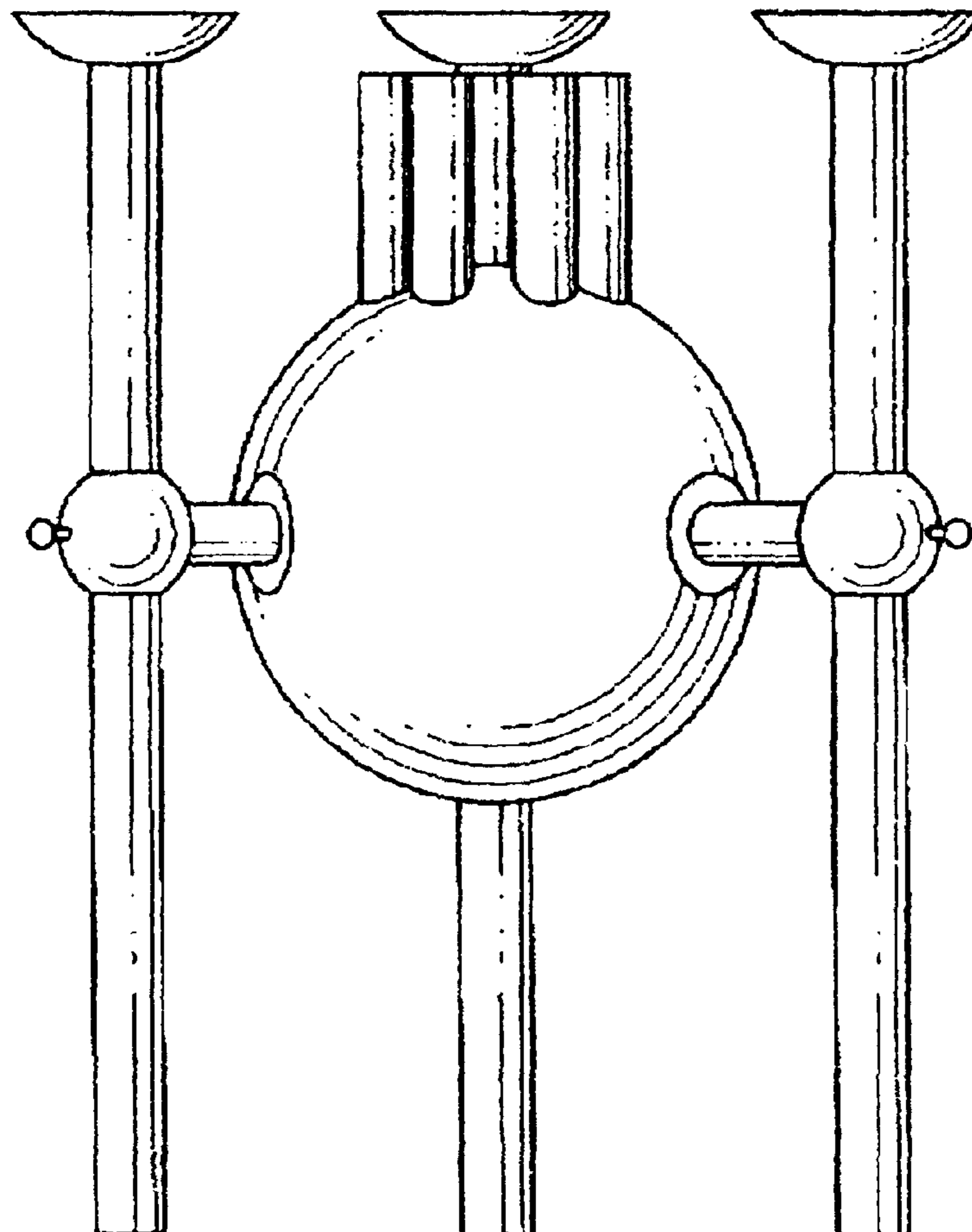


FIG. 2

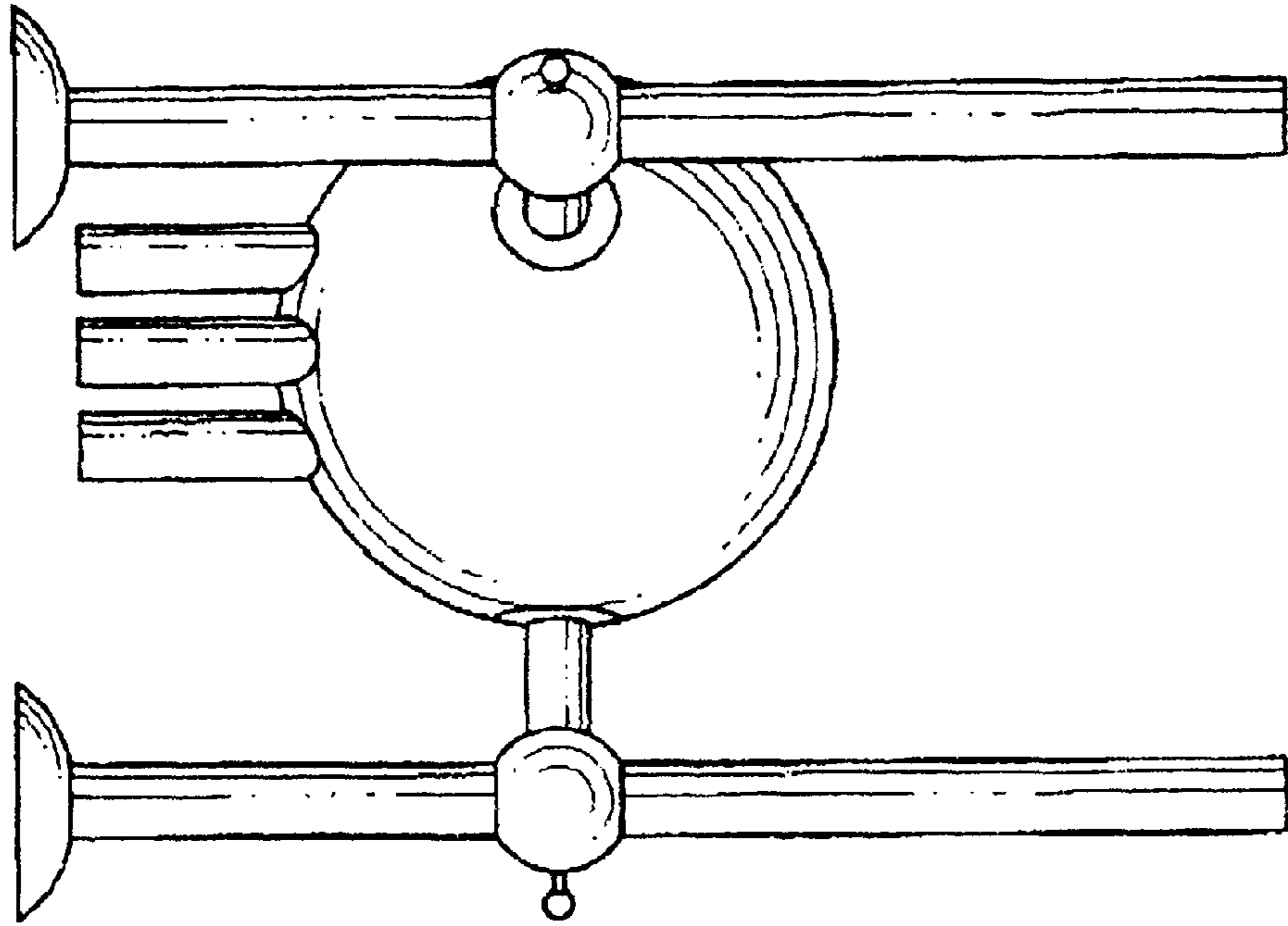


FIG. 1

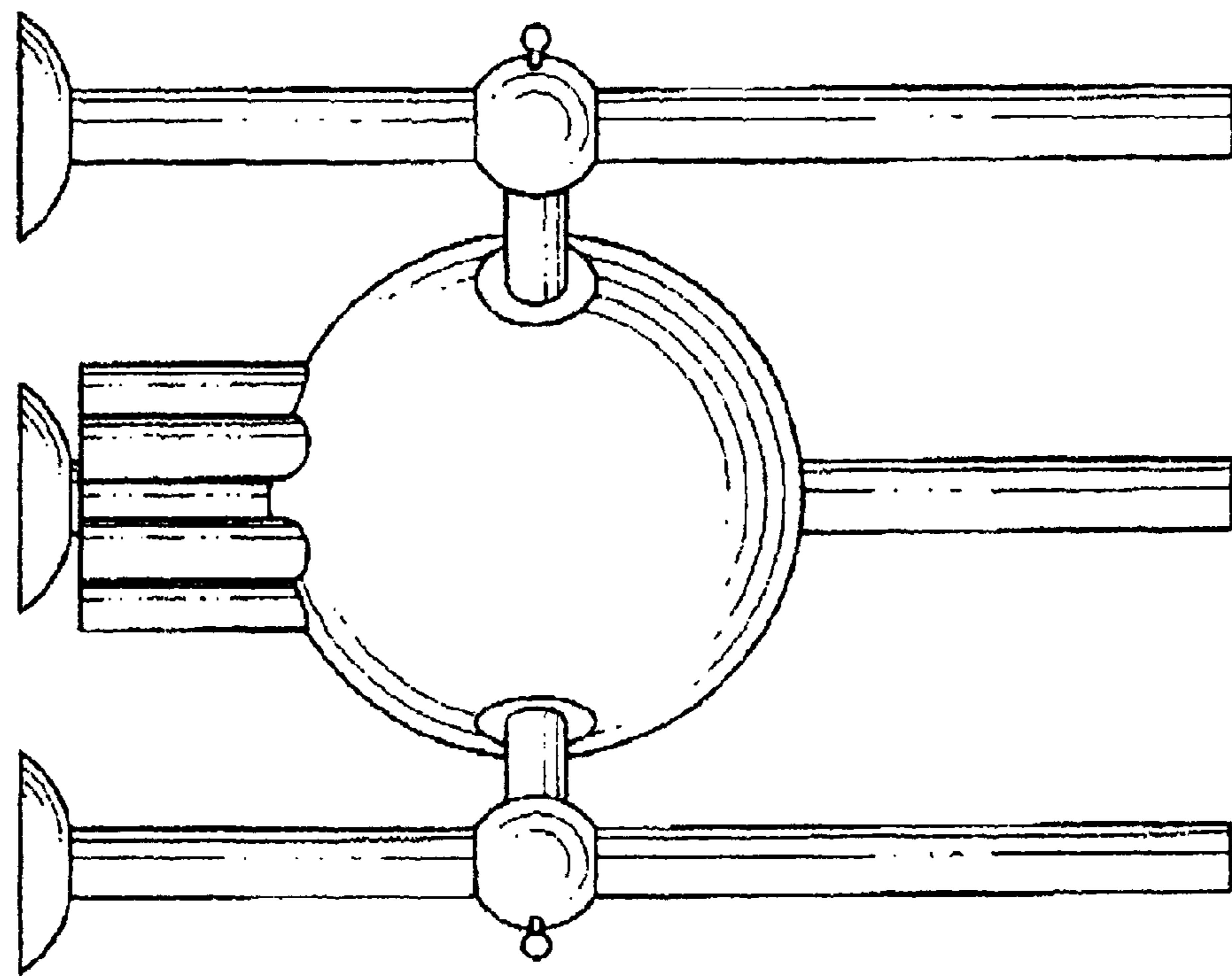


FIG. 4

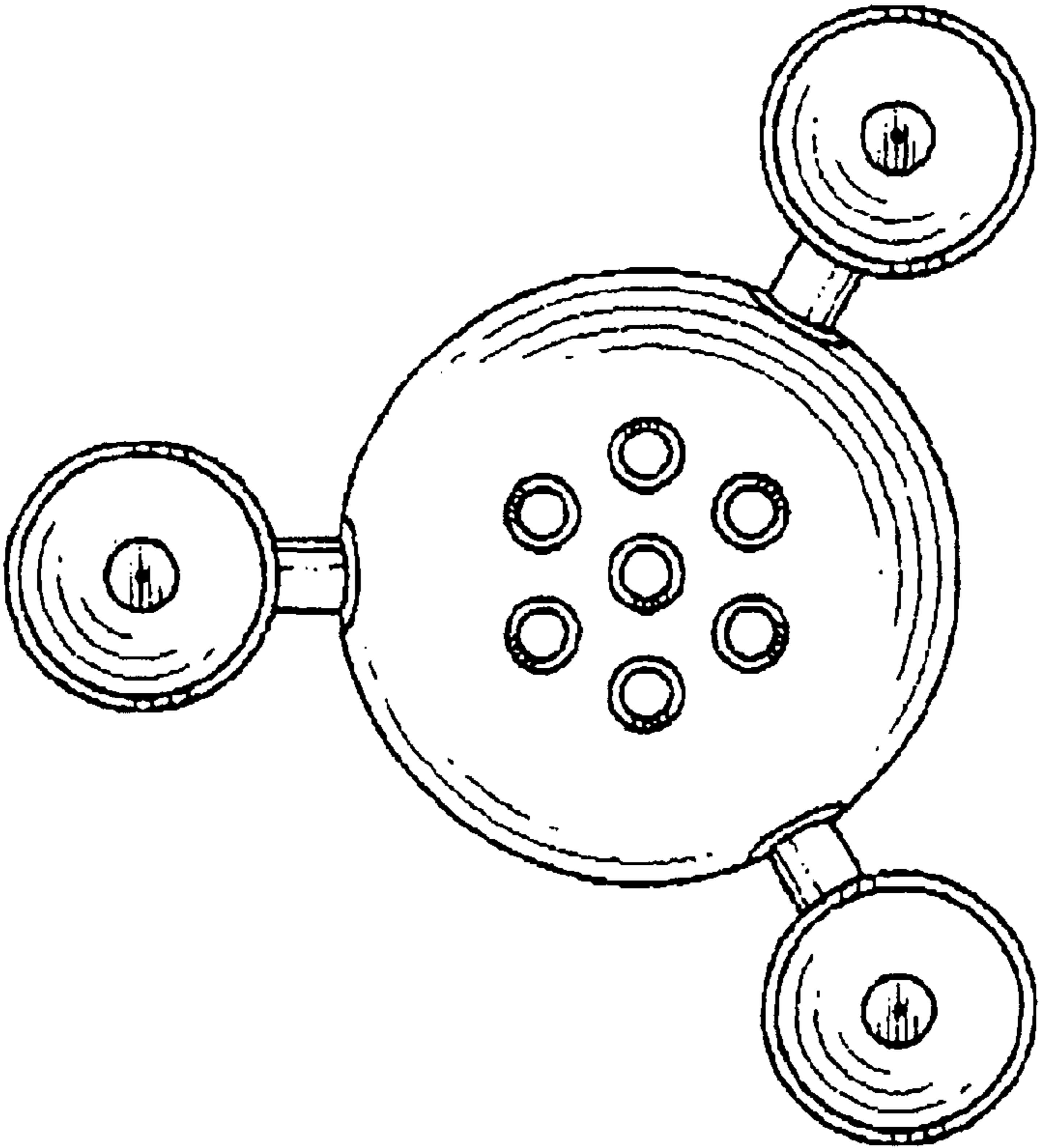
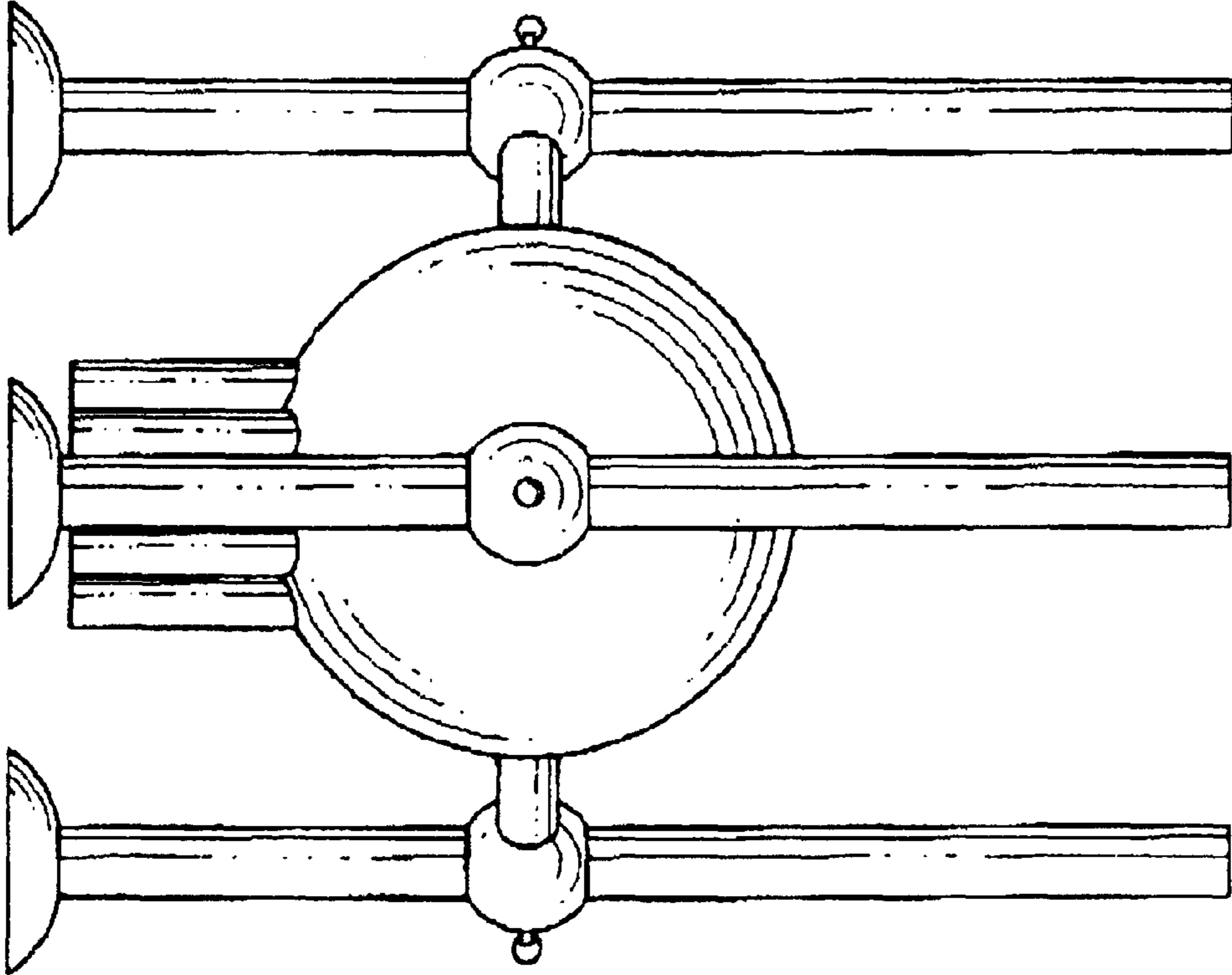


FIG. 3



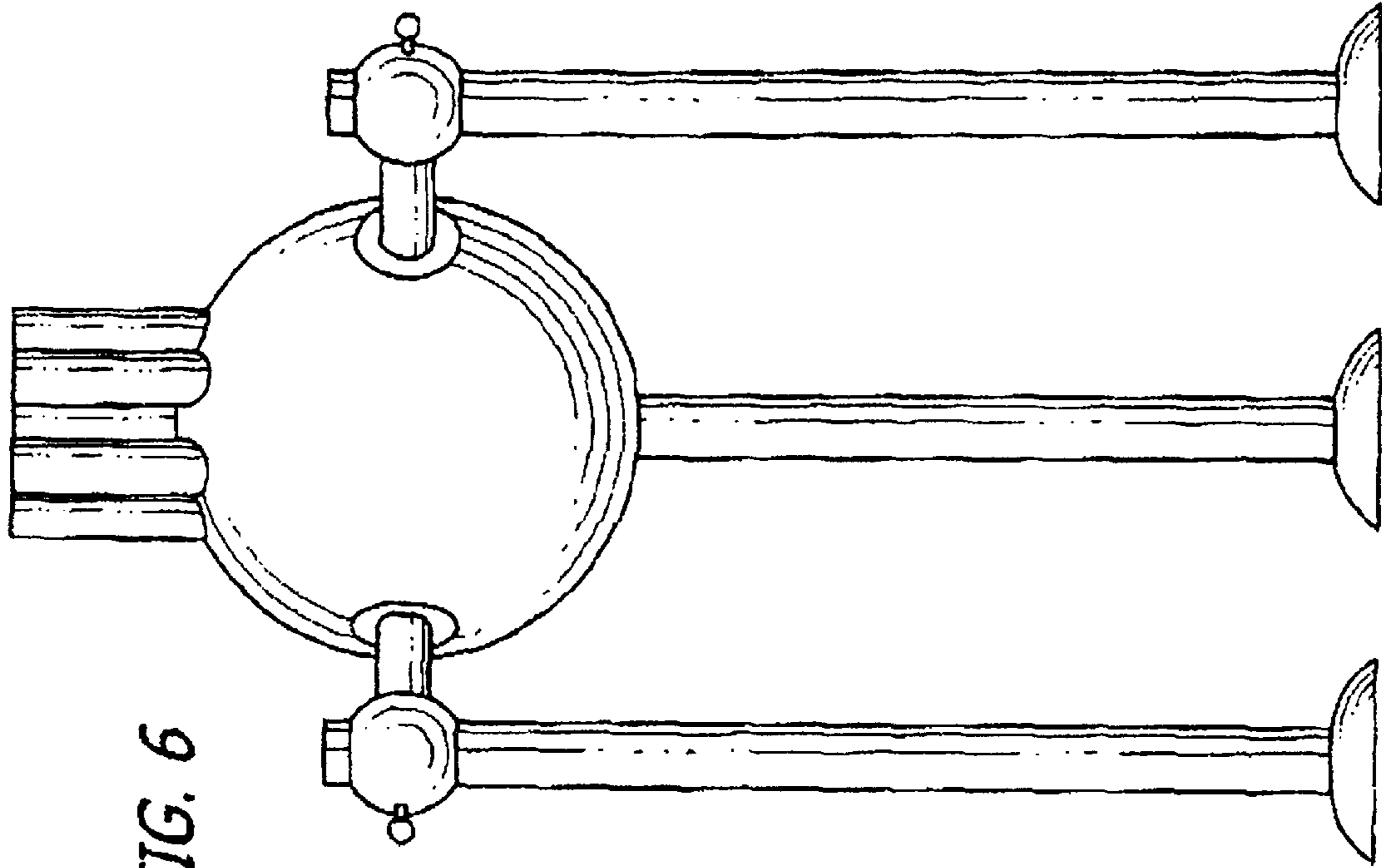


FIG. 6

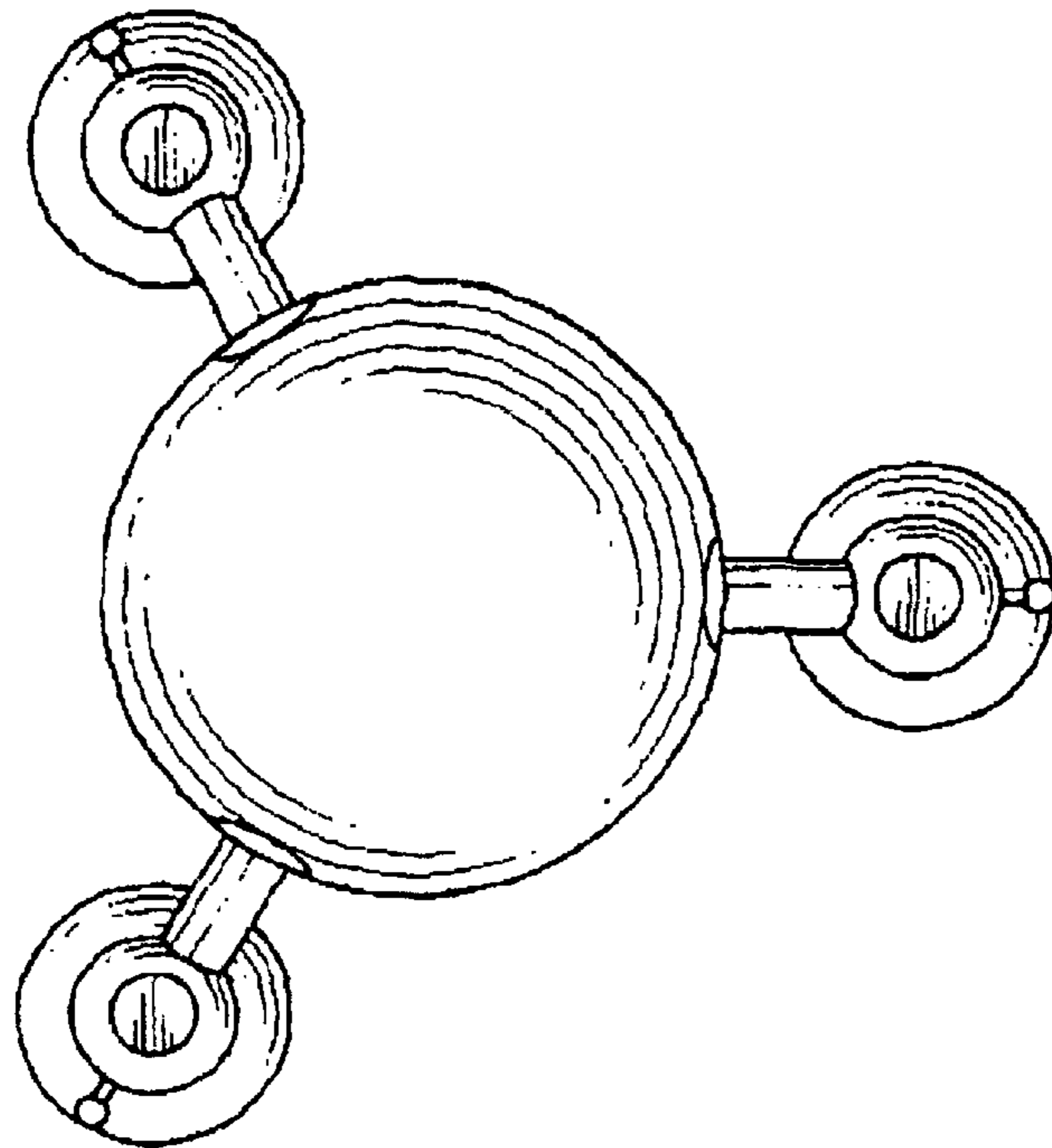


FIG. 5