

US00D494689S1

(12) **United States Design Patent**
Foo

(10) **Patent No.:** **US D494,689 S**

(45) **Date of Patent:** **** Aug. 17, 2004**

(54) **2MT FLUORESCENT TUBE**

D463,585 S * 9/2002 Foo D26/3
D473,329 S * 4/2003 Foo D26/3
D480,161 S * 9/2003 Foo D26/3

(75) **Inventor:** **Onn Fah Foo, Kowloon (HK)**

* cited by examiner

(73) **Assignee:** **Mass Technology (H.K.) Limited, Kowloon (HK)**

Primary Examiner—Marcus A. Jackson
(74) *Attorney, Agent, or Firm*—Rabin & Berdo, P.C.

(**) **Term:** **14 Years**

(21) **Appl. No.:** **29/195,715**

(57) **CLAIM**

(22) **Filed:** **Dec. 17, 2003**

The ornamental design for a 2MT fluorescent tube, as shown and described.

(30) **Foreign Application Priority Data**

DESCRIPTION

Sep. 2, 2003 (CN) 03358215

(51) **LOC (7) Cl.** **26-04**

FIG. 1 is a front view of a 2MT fluorescent tube showing my new design;

(52) **U.S. Cl.** **D26/3**

FIG. 2 is a rear view thereof;

(58) **Field of Search** D26/1-4; 313/313, 313/315, 317, 318, 493, 497, 567, 569; 315/56, 57, 58, 73

FIG. 3 is a left side view thereof;

FIG. 4 is a right side view thereof;

FIG. 5 is a top view thereof; and,

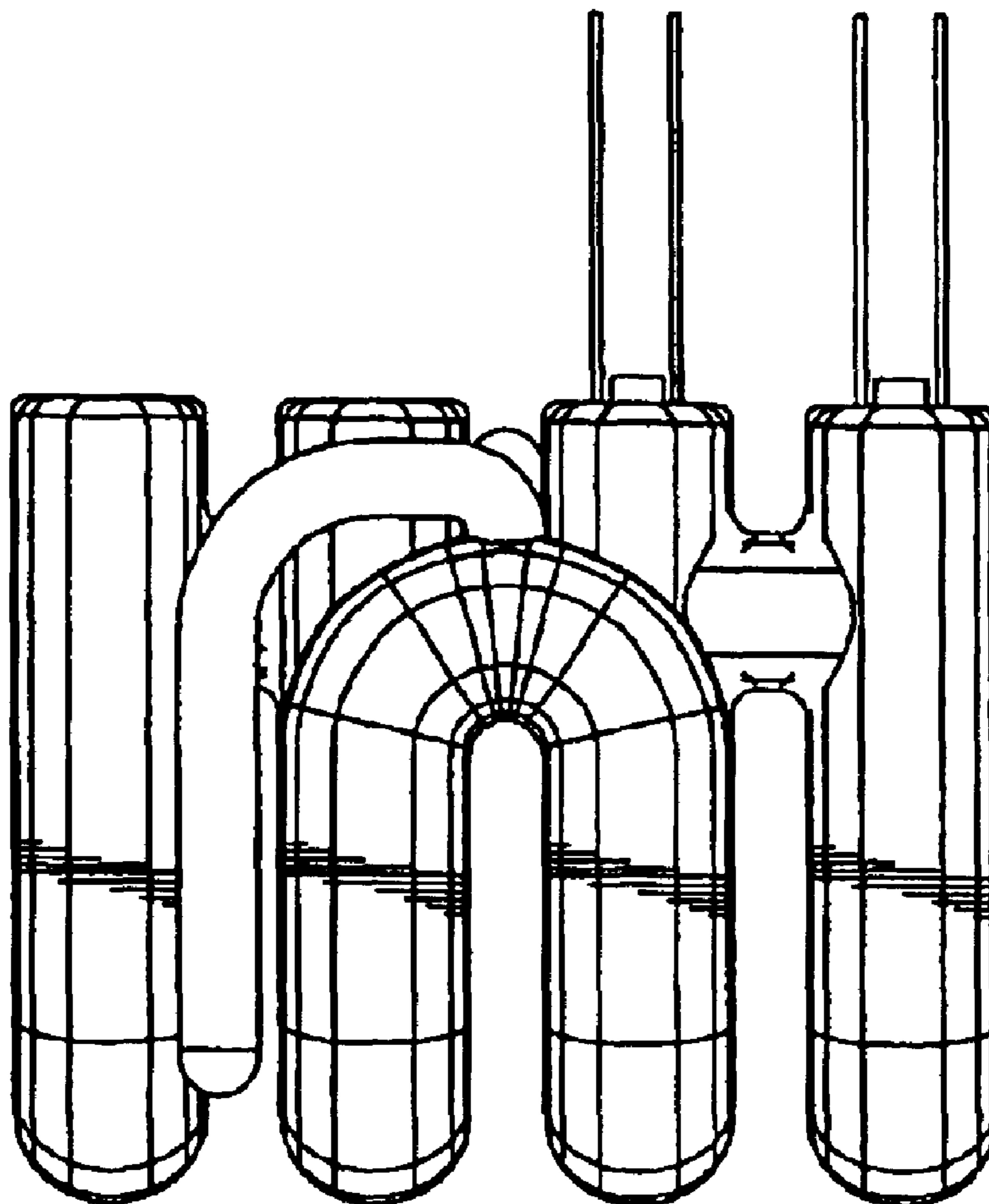
FIG. 6 is a bottom view thereof.

(56) **References Cited**

U.S. PATENT DOCUMENTS

D444,580 S * 7/2001 Foo D26/3

1 Claim, 3 Drawing Sheets



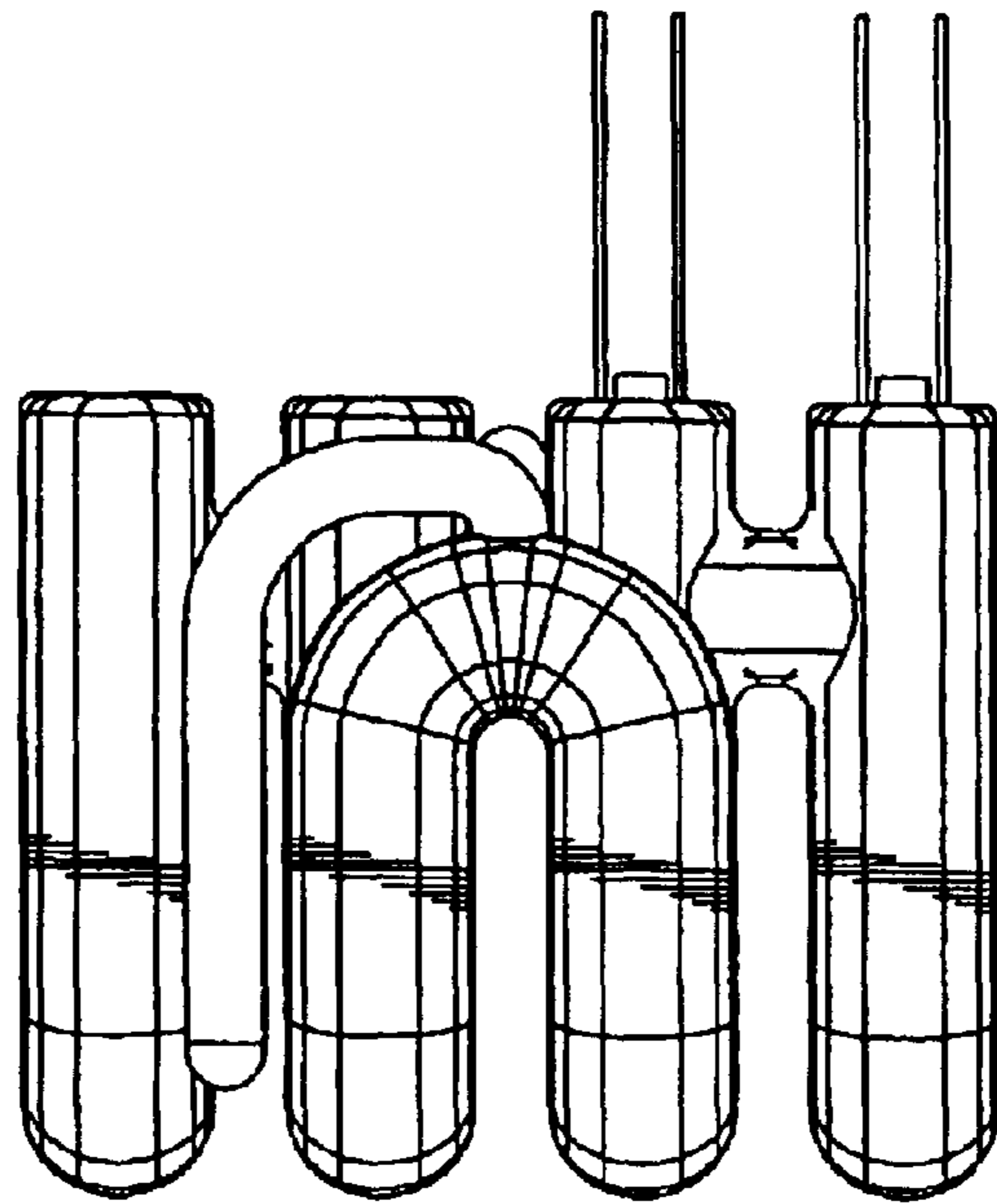


FIG. 1

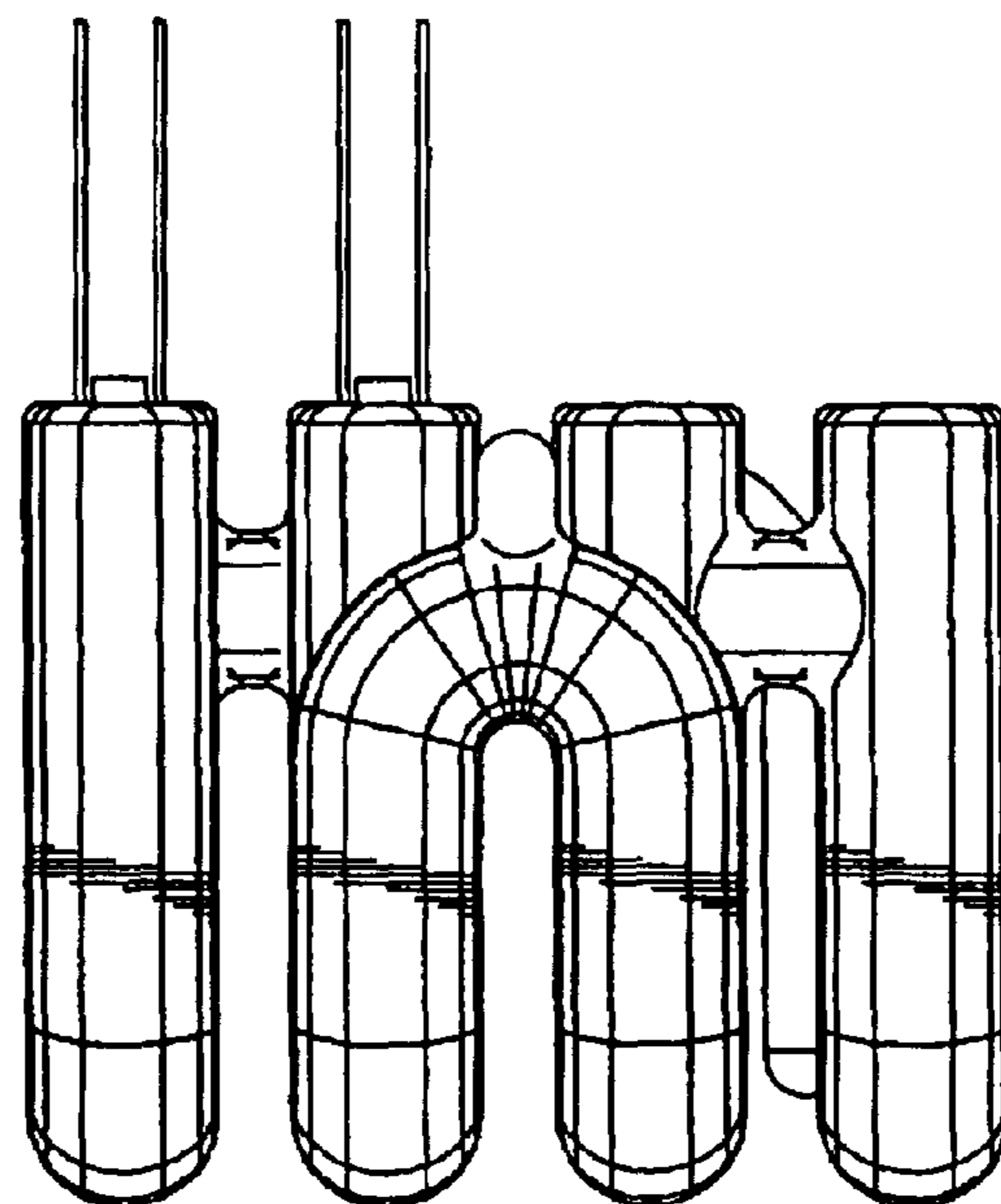


FIG. 2

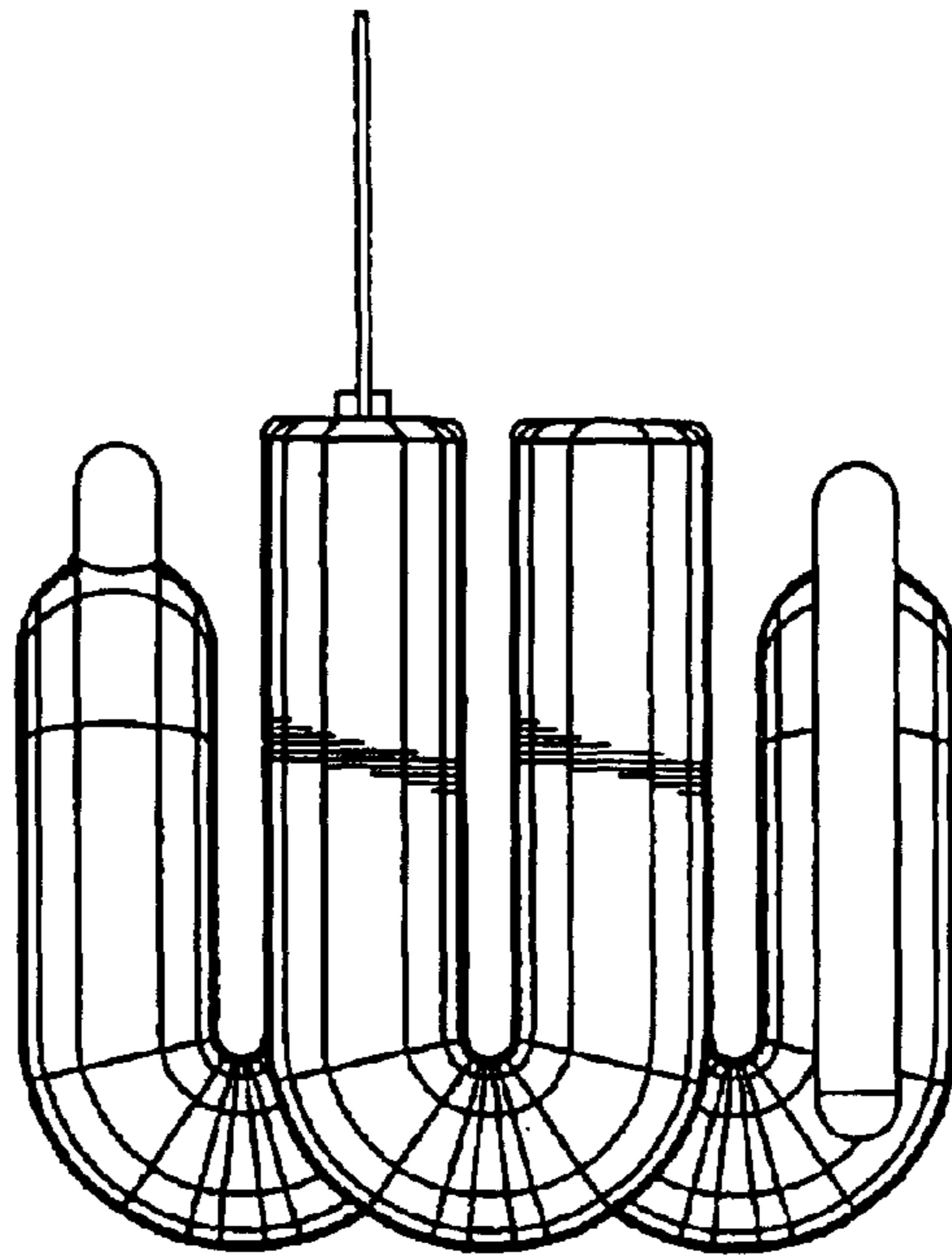


FIG. 3

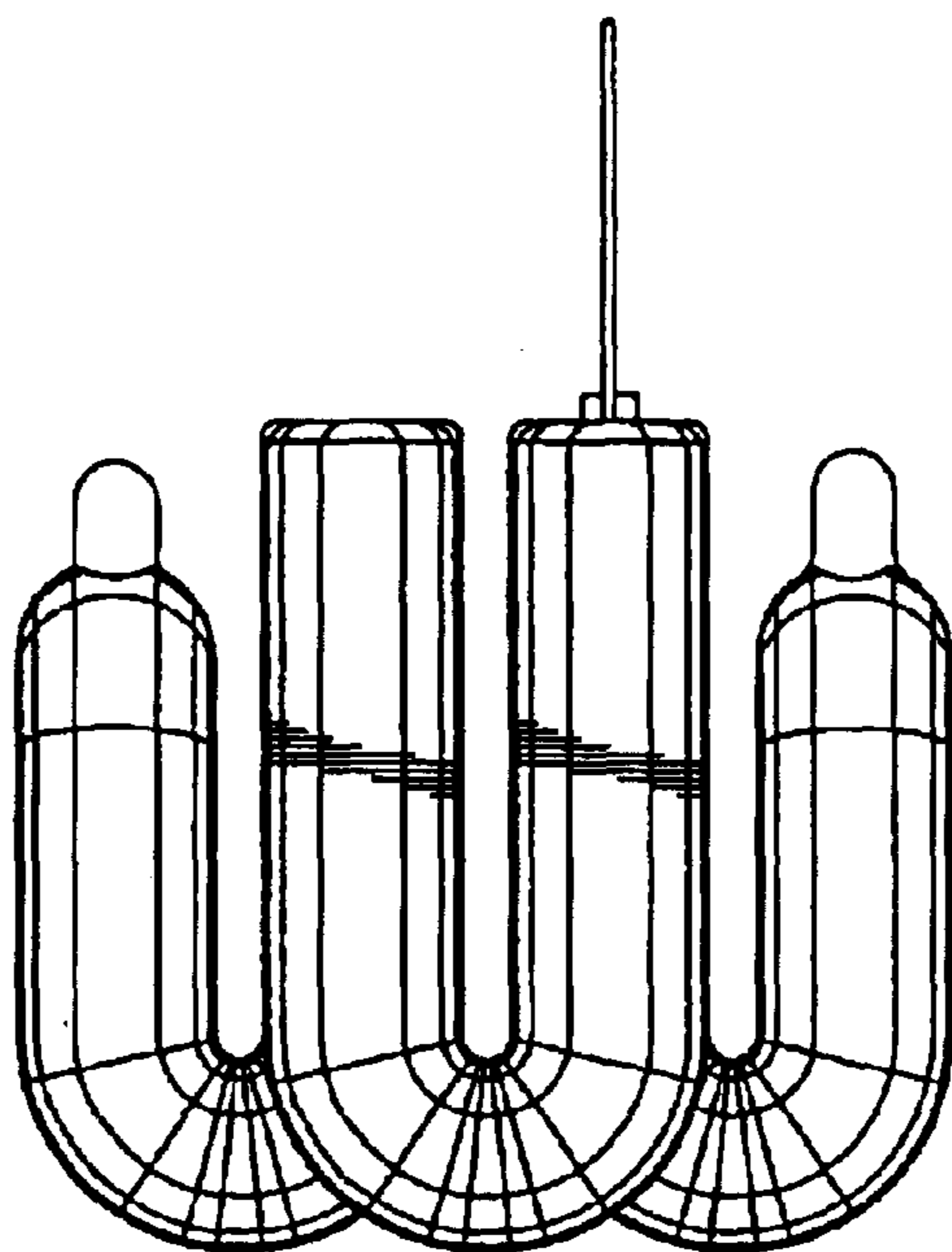


FIG. 4

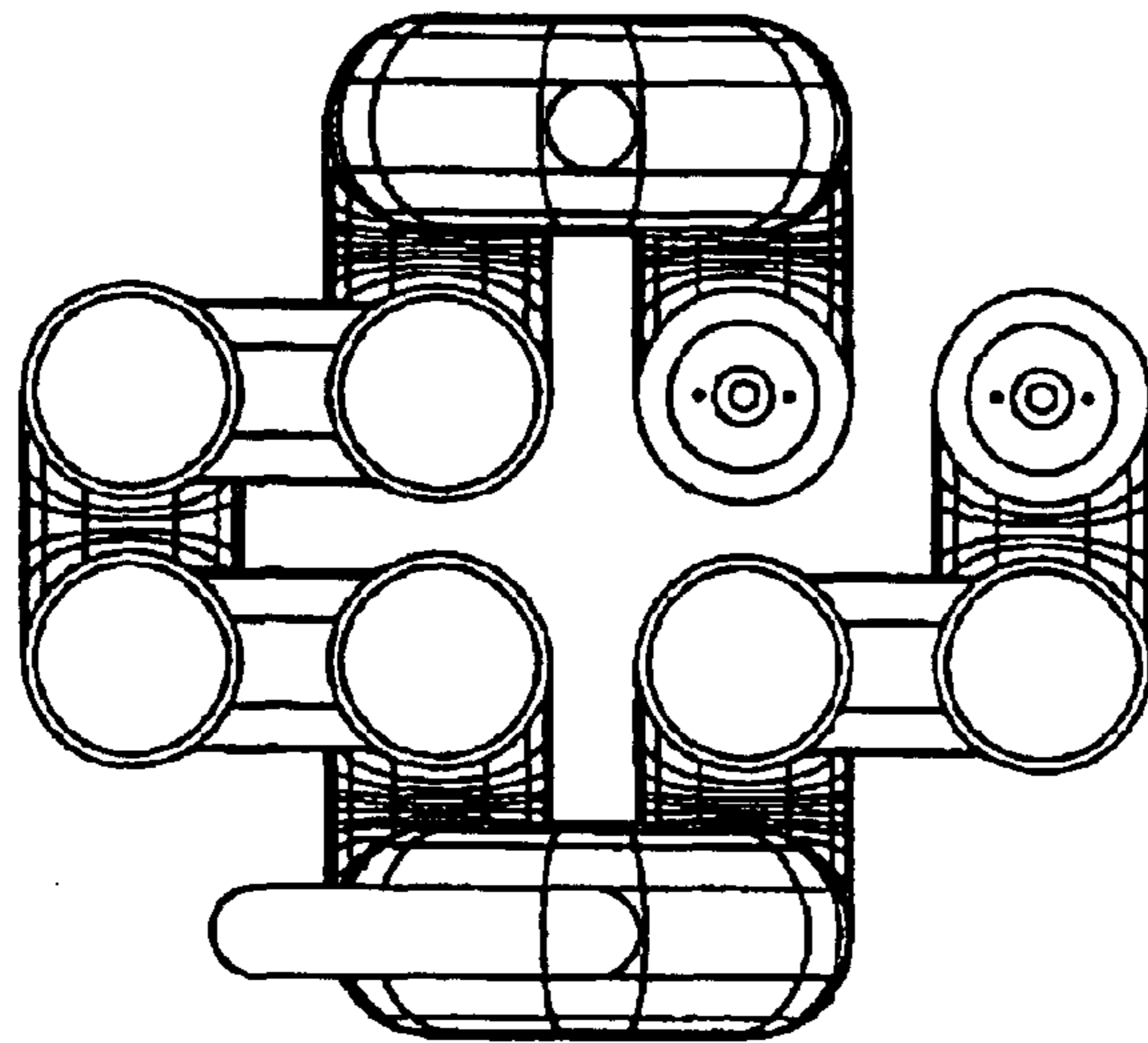


FIG. 5

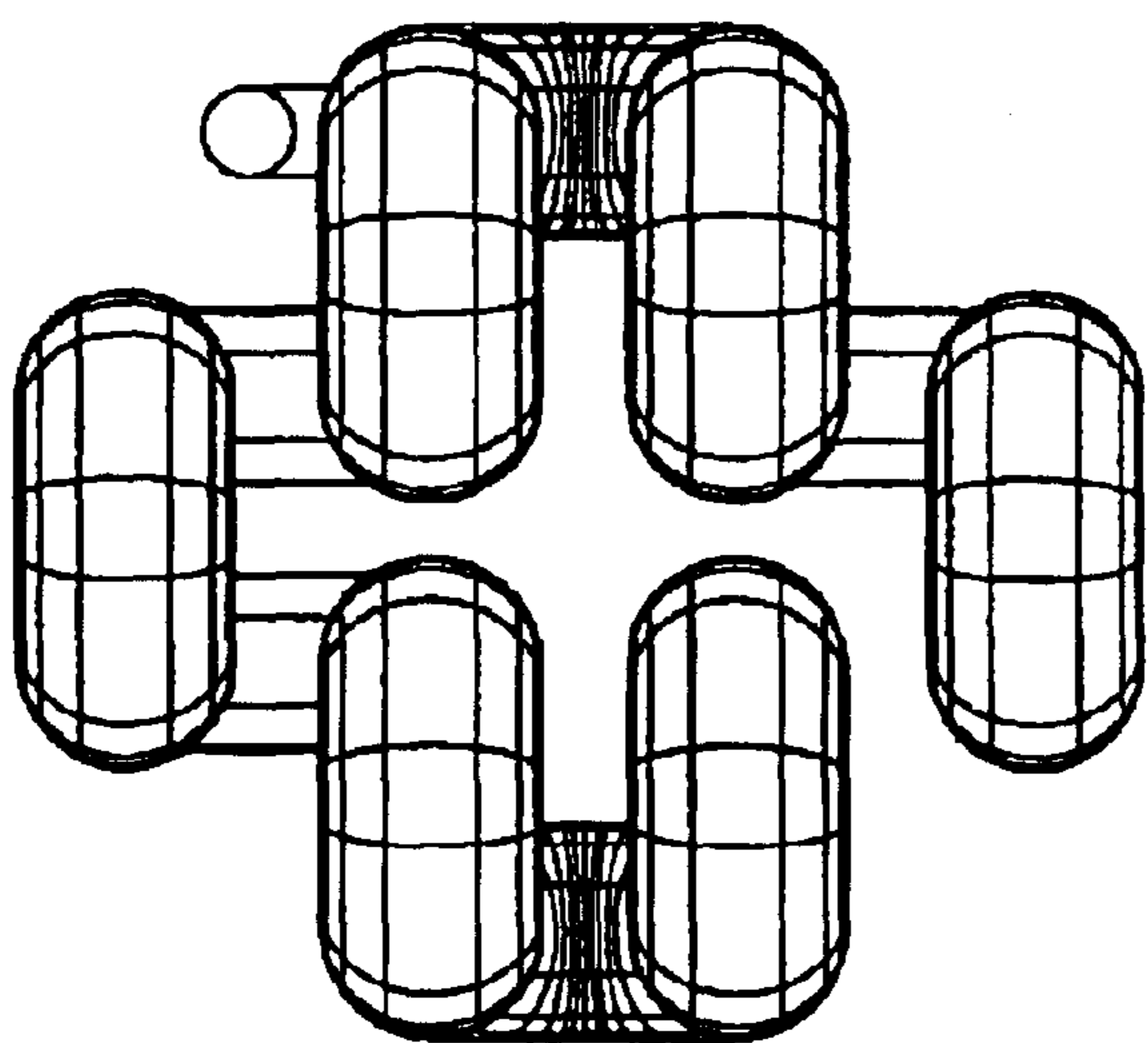


FIG. 6