

US00D494688S1

(12) **United States Design Patent**
Van de Ven et al.

(10) **Patent No.: US D494,688 S**

(45) **Date of Patent: ** Aug. 17, 2004**

(54) **ENERGY SAVING LAMP**

D485,378 S * 1/2004 Vakil D26/2

(75) Inventors: **Martin Van de Ven**, Eindhoven (NL);
Hongmei Hu, Shanghai (CN)

* cited by examiner

(73) Assignee: **Koninklijke Philips Electronics N.V.**,
Eindhoven (NL)

Primary Examiner—Marcus A. Jackson
(74) *Attorney, Agent, or Firm*—Ernestine C. Bartlett

(**) Term: **14 Years**

(57) **CLAIM**

The ornamental design for a energy saving lamp, as shown.

(21) Appl. No.: **29/191,789**

(22) Filed: **Oct. 14, 2003**

DESCRIPTION

(30) **Foreign Application Priority Data**

Apr. 23, 2003 (EM) 000014402-0002

FIG. 1 is a perspective view showing my design;

(51) **LOC (7) Cl.** **26-04**

FIG. 2 is a front elevational view thereof;

(52) **U.S. Cl.** **D26/2**

FIG. 3 is a rear elevational view thereof;

(58) **Field of Search** D26/1-4; 313/313,
313/315, 317, 318; 315/52, 53, 56, 57,
58

FIG. 4 is a right side elevational view thereof;

FIG. 5 is a left side elevational view thereof;

FIG. 6 is a top plan view thereof; and,

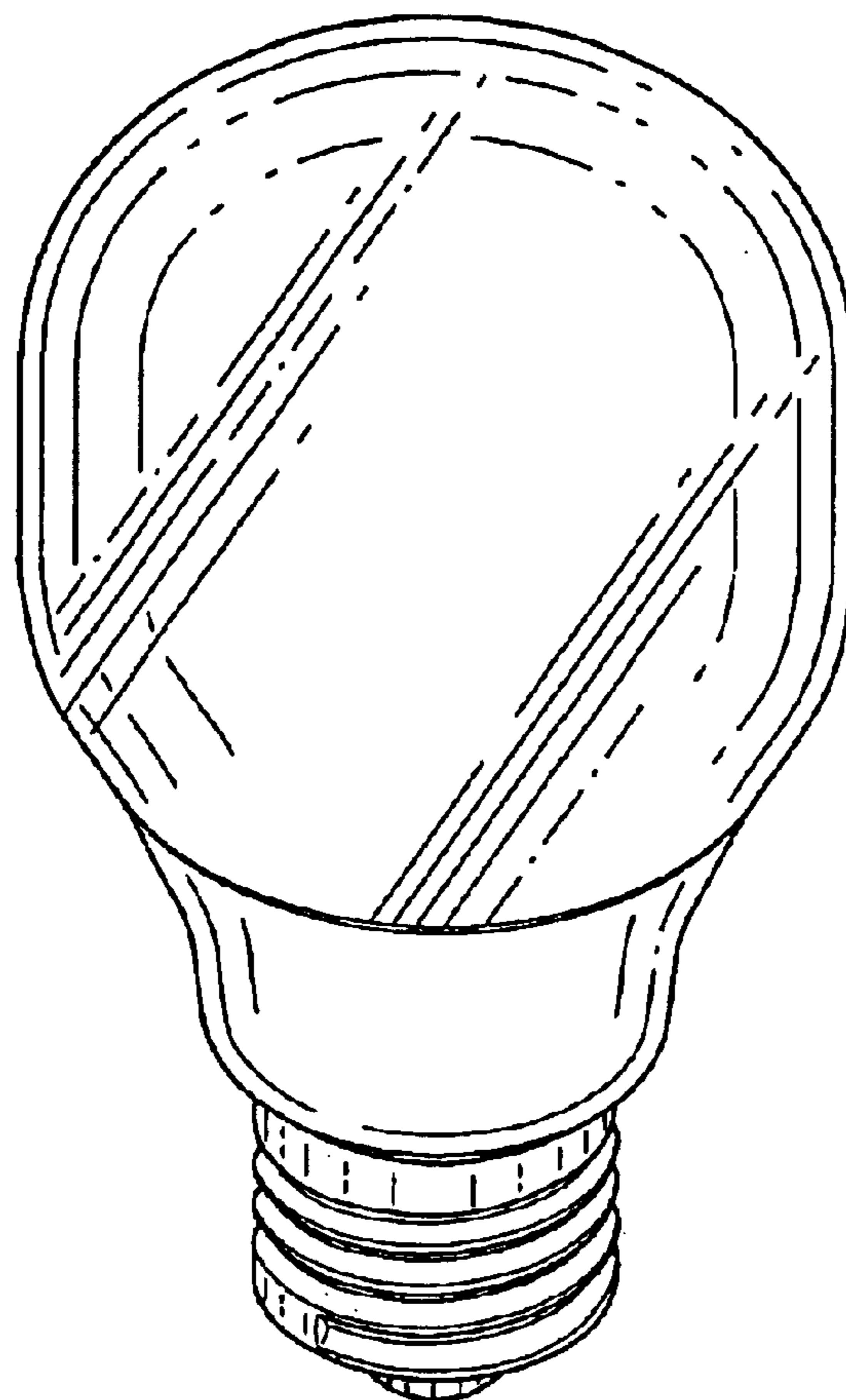
FIG. 7 is a bottom plan view thereof.

(56) **References Cited**

U.S. PATENT DOCUMENTS

D479,615 S * 9/2003 Kakuno et al. D26/2

1 Claim, 3 Drawing Sheets



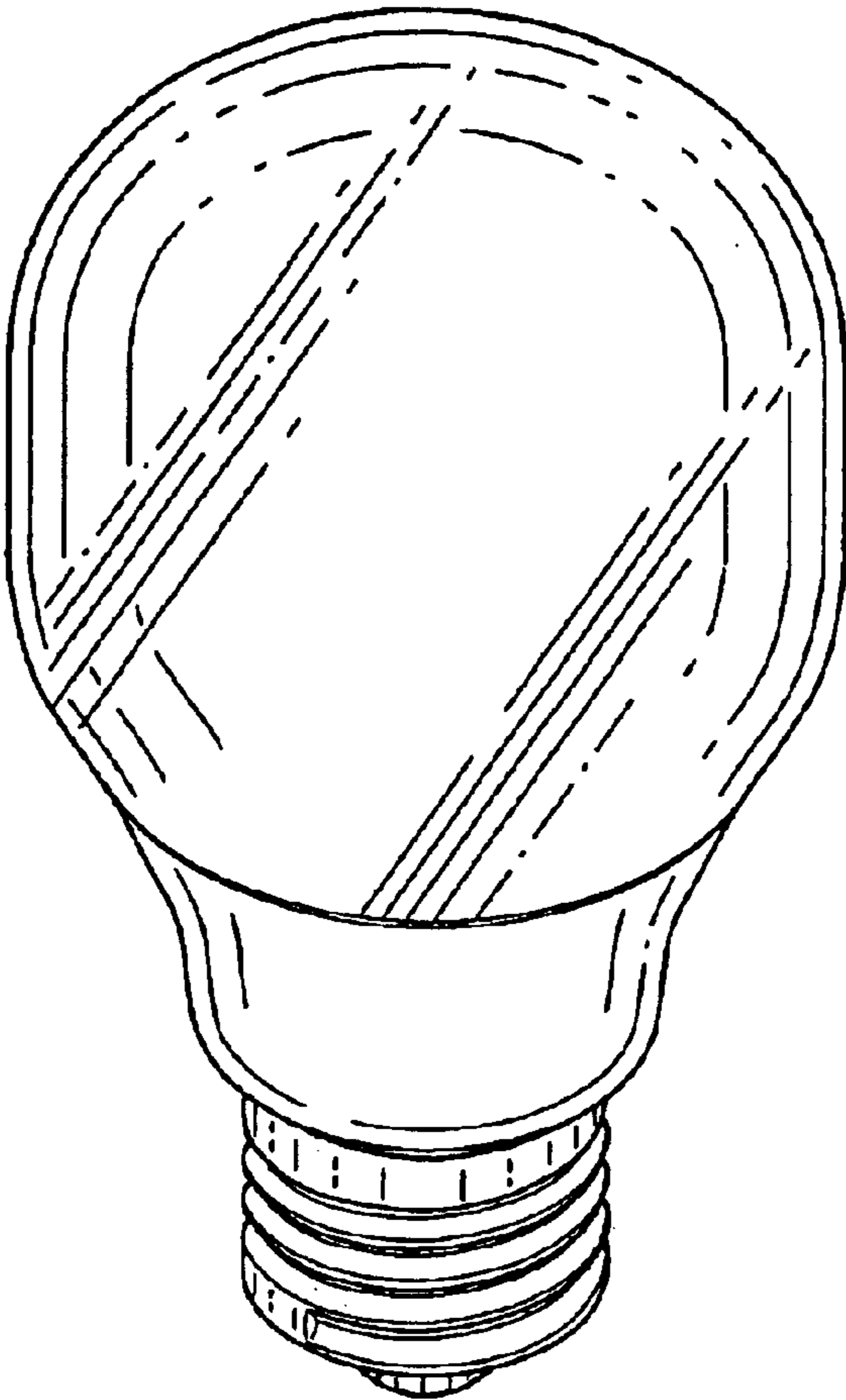


FIG. 1

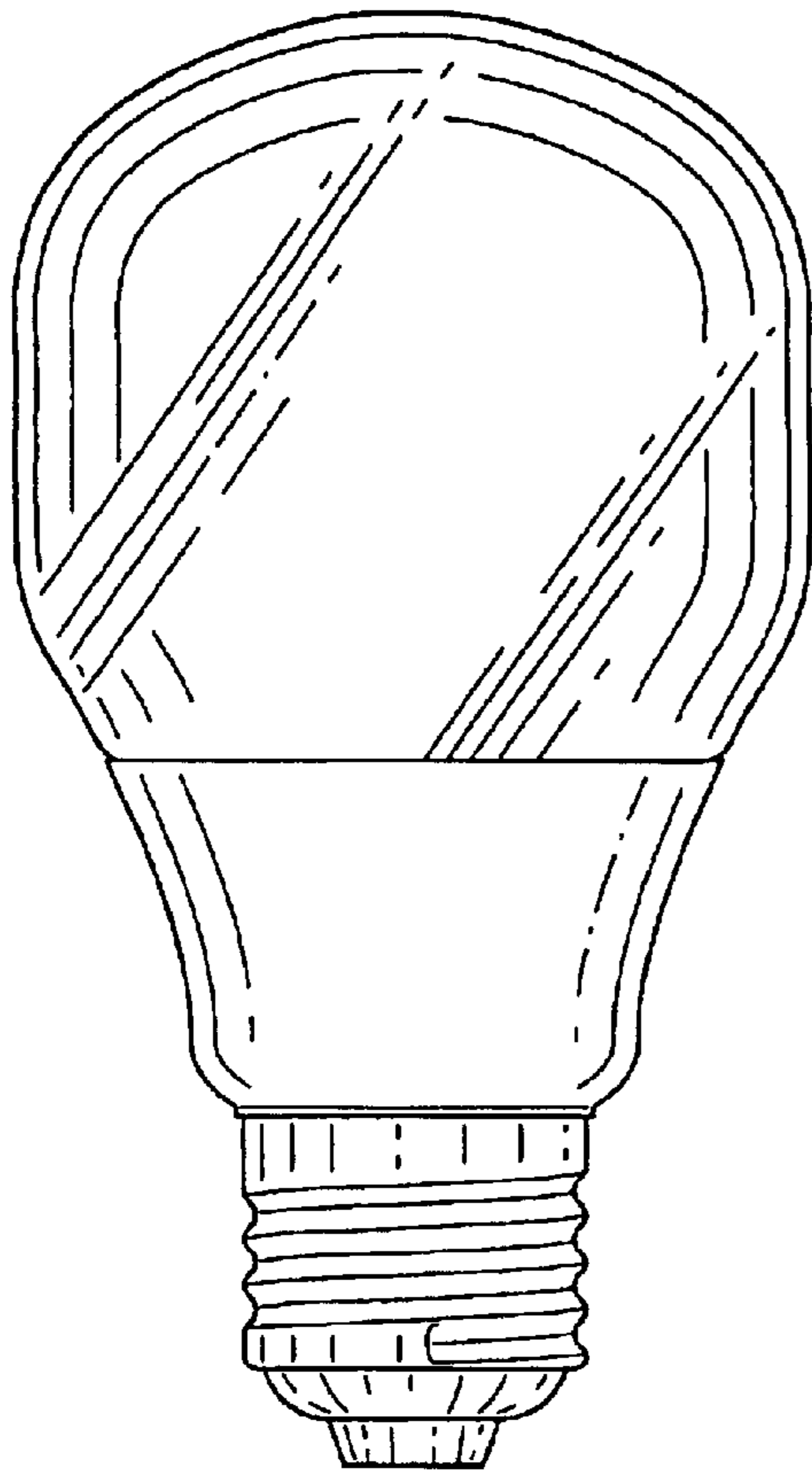


FIG. 2

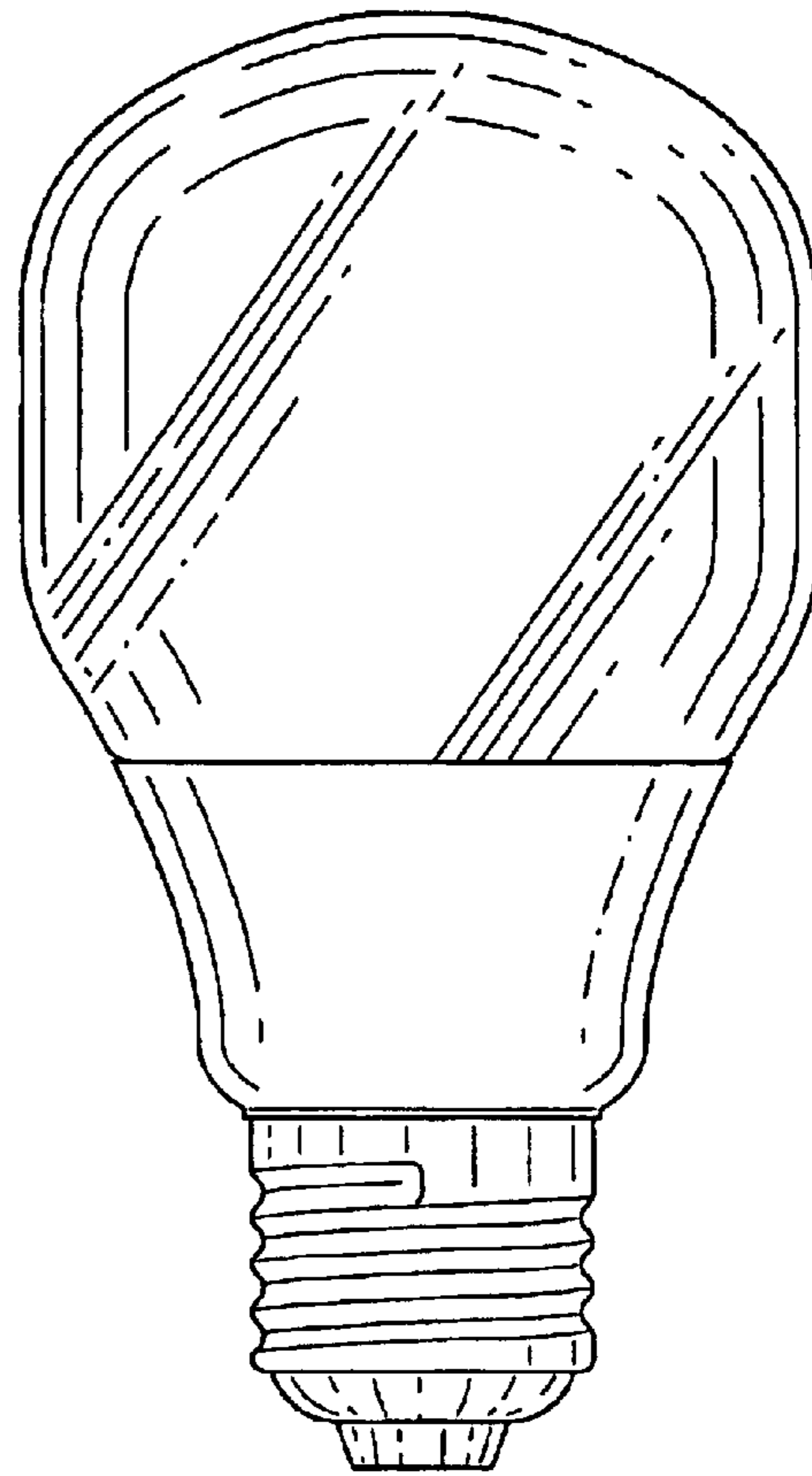


FIG. 3

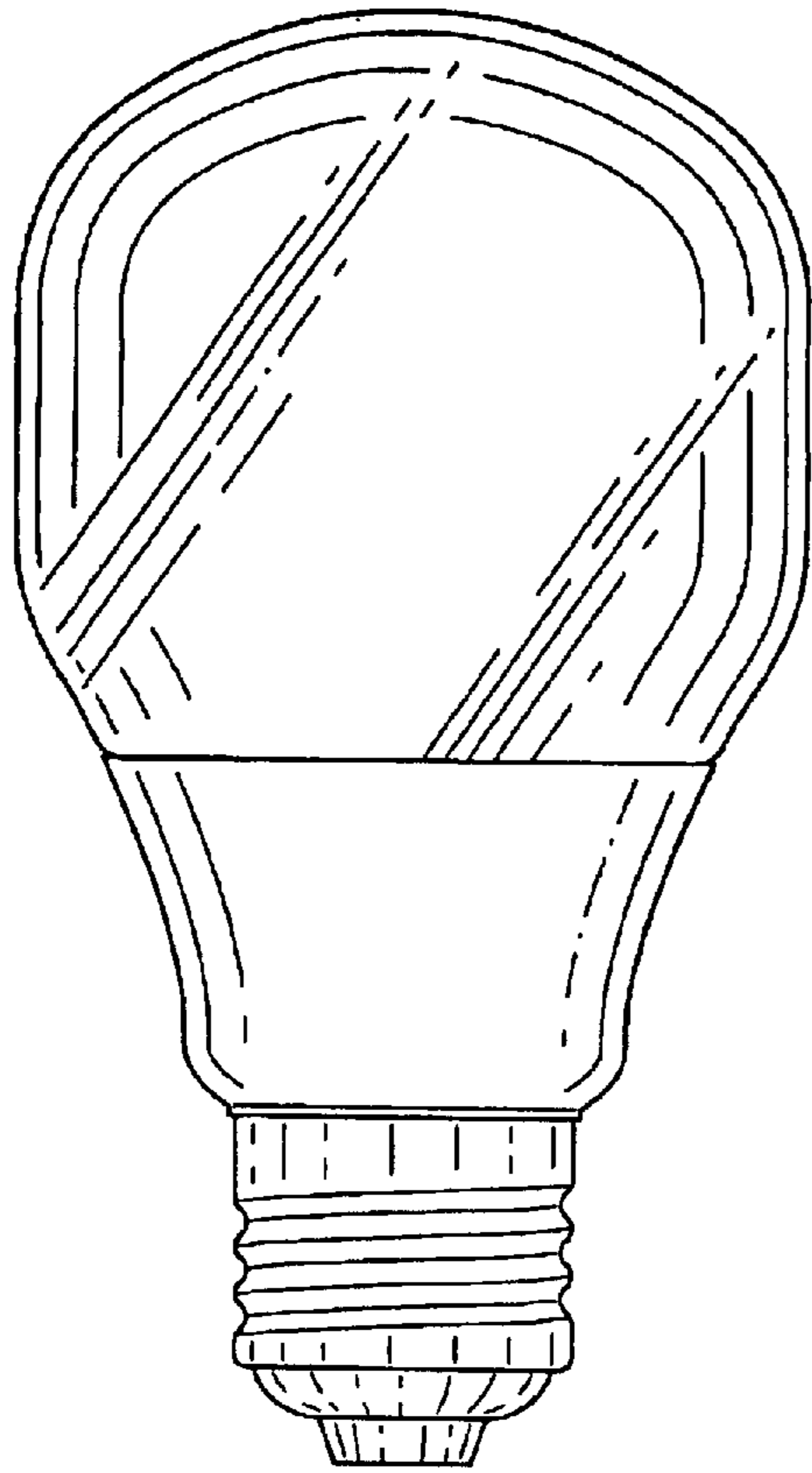


FIG. 4

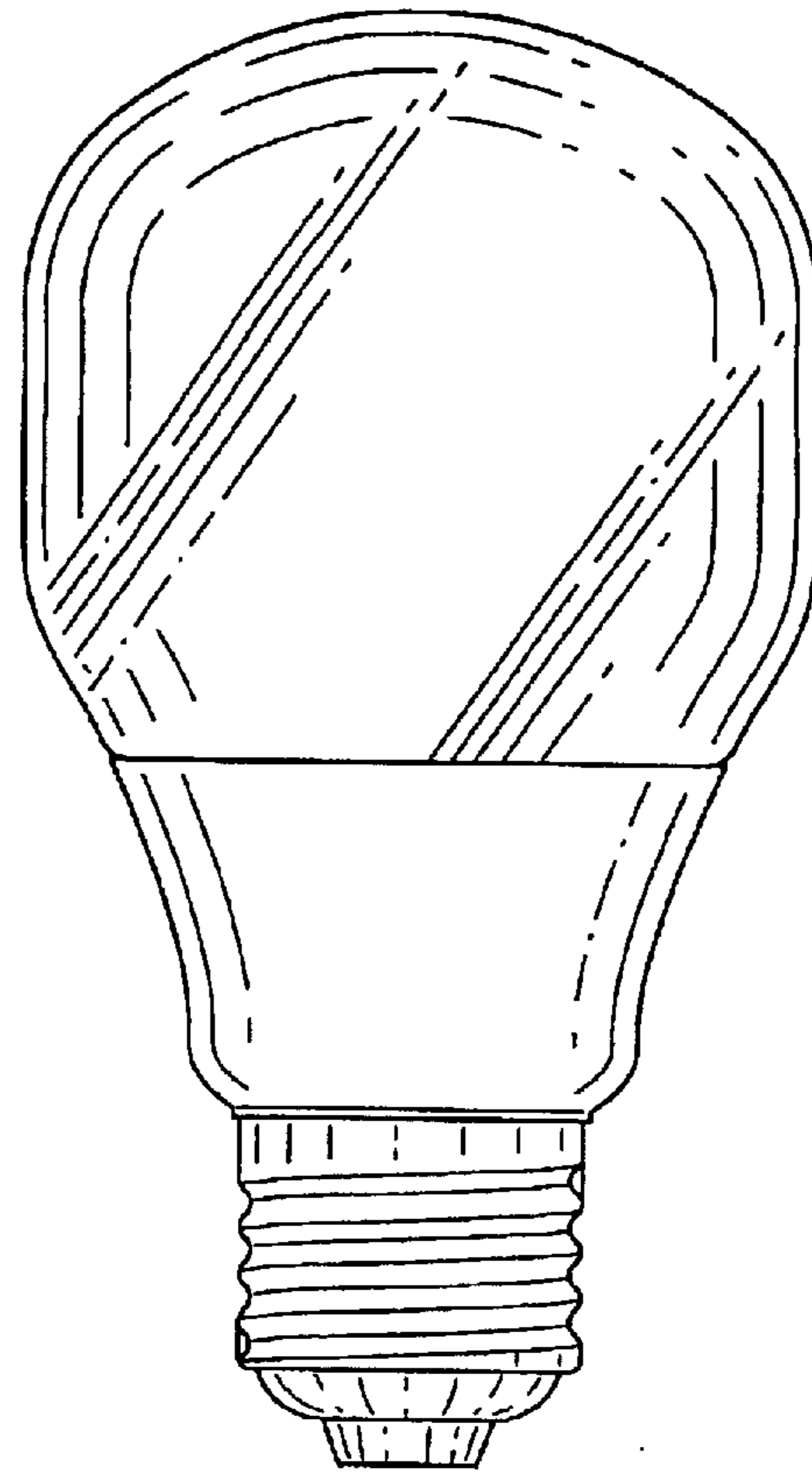


FIG. 5

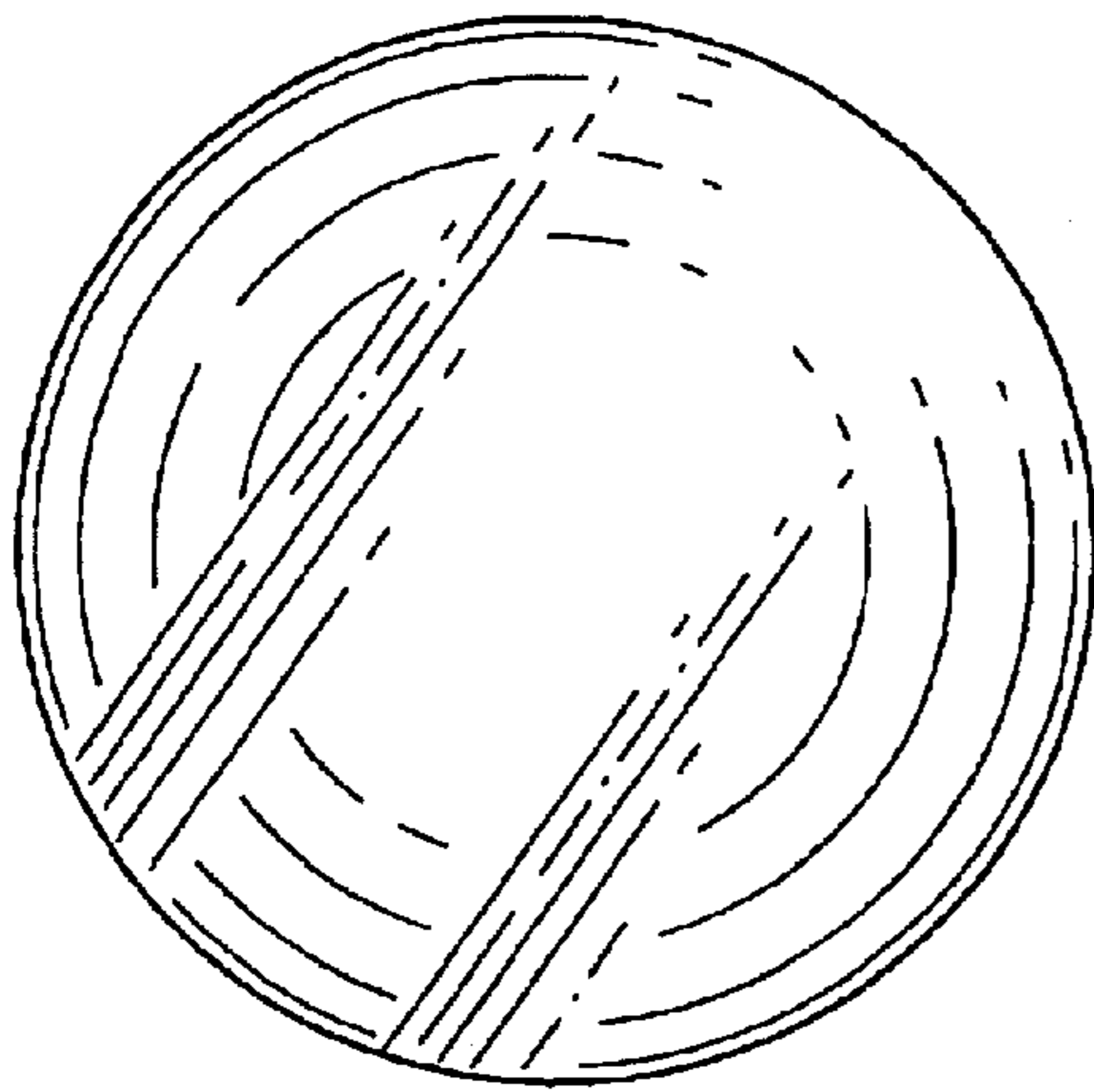


FIG. 6

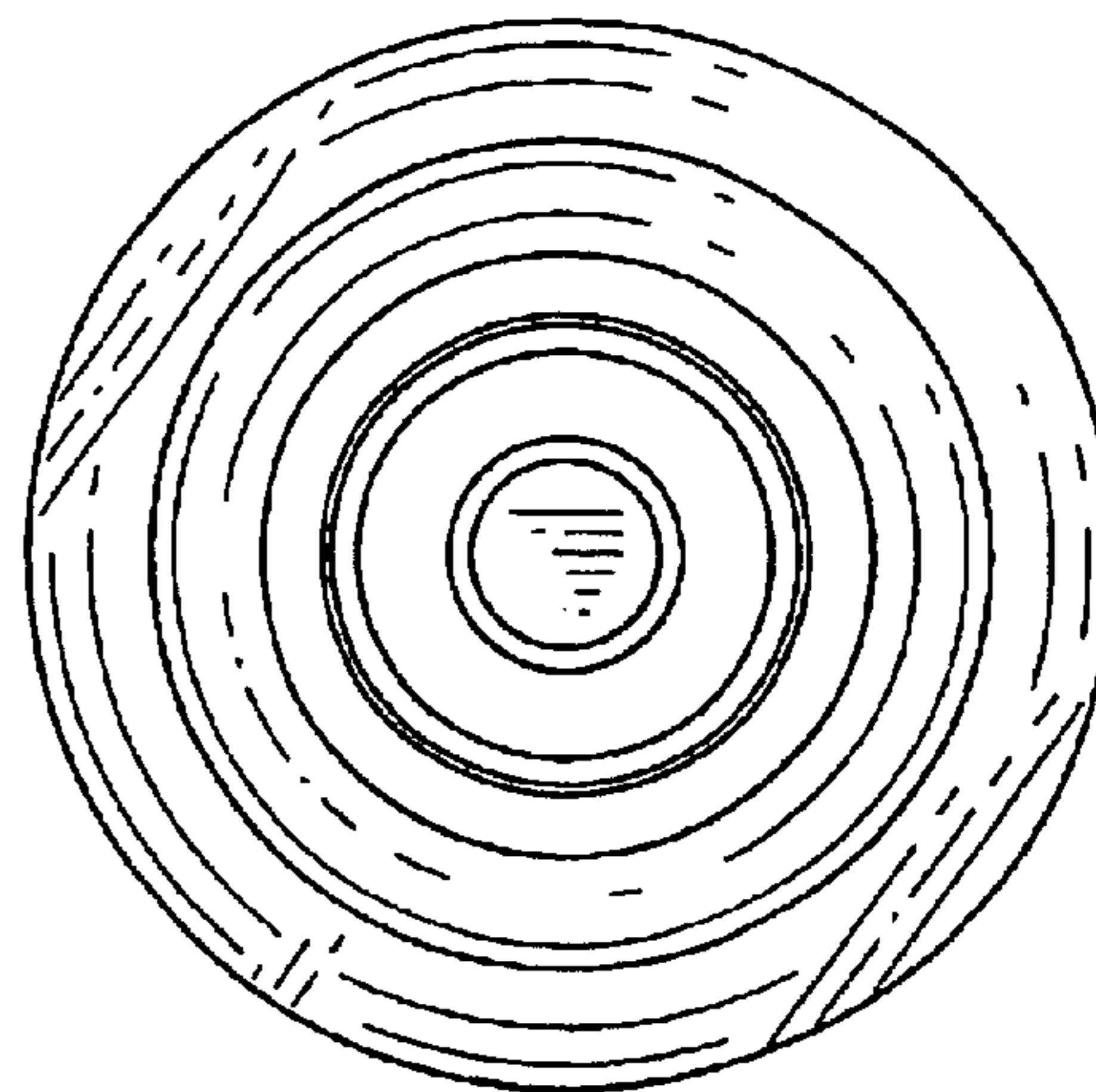


FIG. 7