

US00D494680S1

(12) **United States Design Patent**
Takahashi

(10) **Patent No.:** **US D494,680 S**

(45) **Date of Patent:** **** Aug. 17, 2004**

(54) **MEDICAL IMAGE RECORDING APPARATUS**

D408,838 S * 4/1999 Nelson et al. D16/247
D477,079 S * 7/2003 Takahashi D24/158
D480,143 S * 9/2003 Kondo D24/158

(75) Inventor: **Noriaki Takahashi, Tokyo (JP)**

OTHER PUBLICATIONS

(73) Assignee: **Konica Medical and Graphic Corporation, Tokyo (JP)**

Related application Ser. No. 29/191,051 filed Sep. 30, 2003; Inventor: Noriaki Takahashi; Assignee: Konica Medical and Graphics Corporation, Tokyo, Japan.

(**) Term: **14 Years**

* cited by examiner

(21) Appl. No.: **29/191,071**

Primary Examiner—Stella Reid

(22) Filed: **Sep. 30, 2003**

(74) *Attorney, Agent, or Firm*—Frishauf, Holtz, Goodman & Chick, P.C.

(30) **Foreign Application Priority Data**

Apr. 7, 2003 (JP) 2003-009705

(57) **CLAIM**

(51) **LOC (7) Cl.** **24-01**

The ornamental design for a medical image recording apparatus, as shown.

(52) **U.S. Cl.** **D24/158**

(58) **Field of Search** D24/158; 378/182, 378/183, 185, 186, 146; 396/389, 394; 250/208.1, 370.08, 370.09; D16/246, 247; 382/128, 132

DESCRIPTION

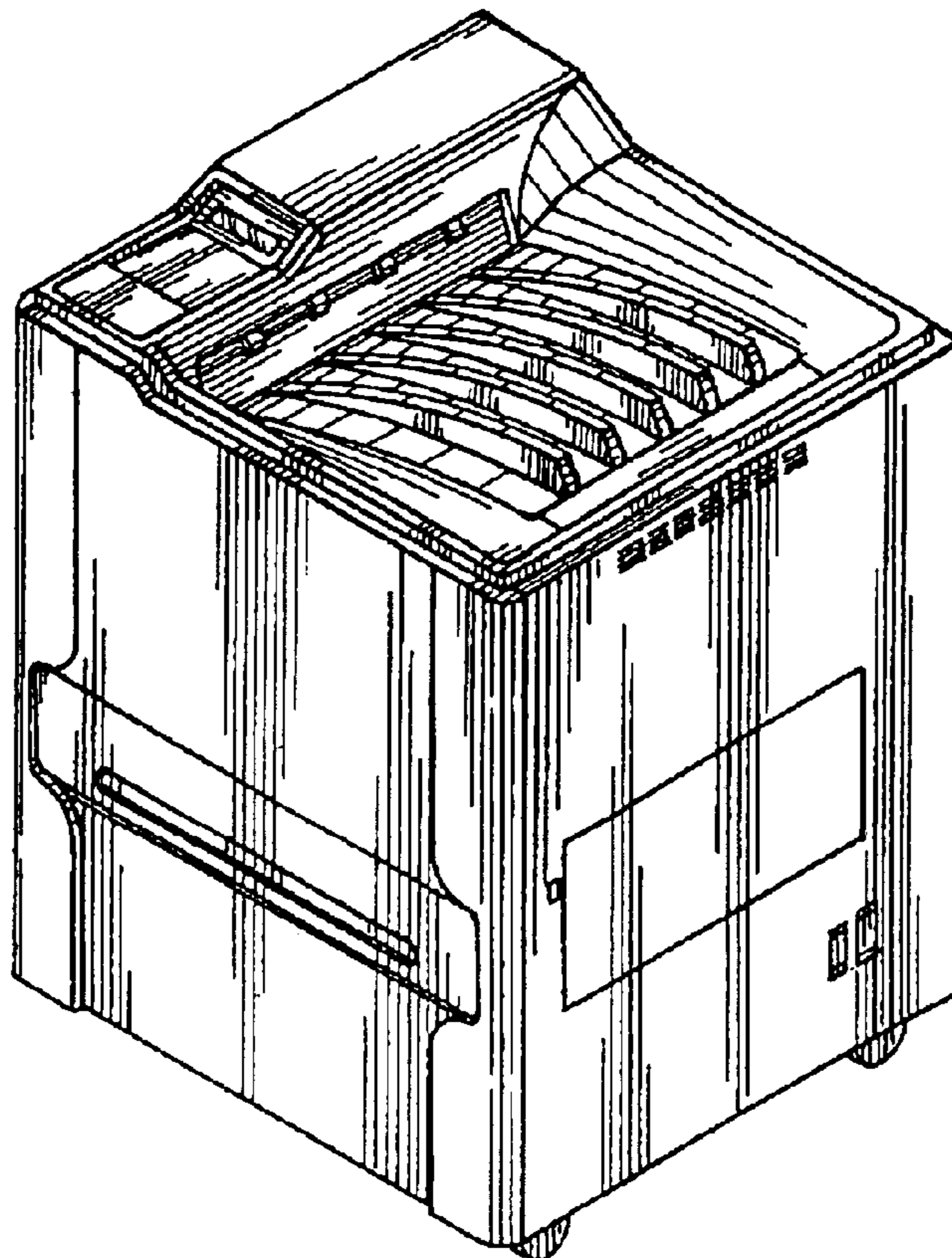
(56) **References Cited**

U.S. PATENT DOCUMENTS

D272,360 S * 1/1984 Schlagheck et al. D16/247
D272,744 S * 2/1984 Schlagheck et al. D16/247
D273,872 S * 5/1984 Schlagheck et al. D16/247
D372,095 S * 7/1996 Whitby et al. D24/158

FIG. 1 is a front elevational view of a medical image recording apparatus showing my new design; FIG. 2 is a rear elevational view thereof; FIG. 3 is a right side view thereof; FIG. 4 is a left side view thereof; FIG. 5 is a top plan view thereof; FIG. 6 is a bottom plan view thereof; and, FIG. 7 is a top, front, right side perspective view thereof.

1 Claim, 4 Drawing Sheets



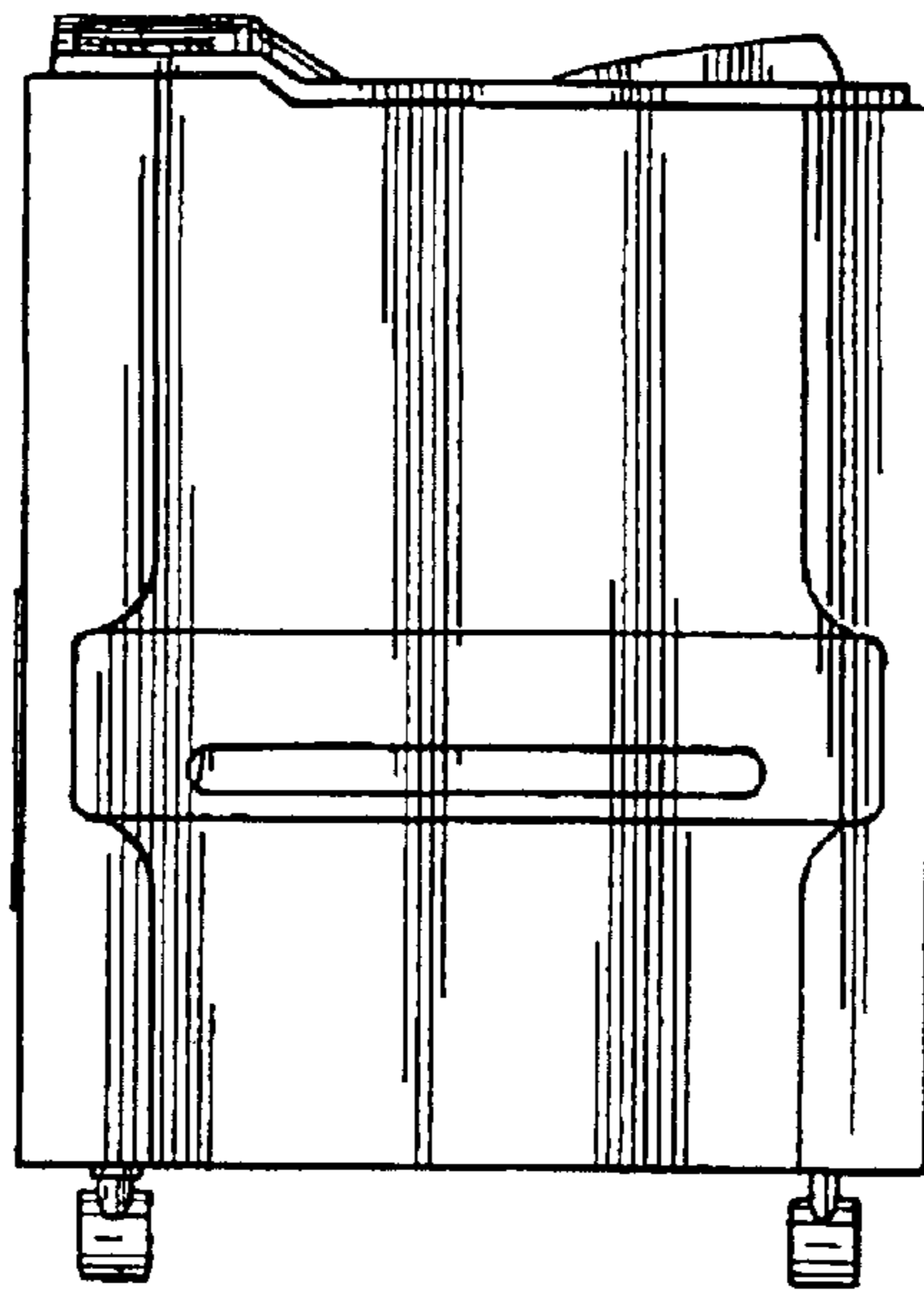


Fig. 1

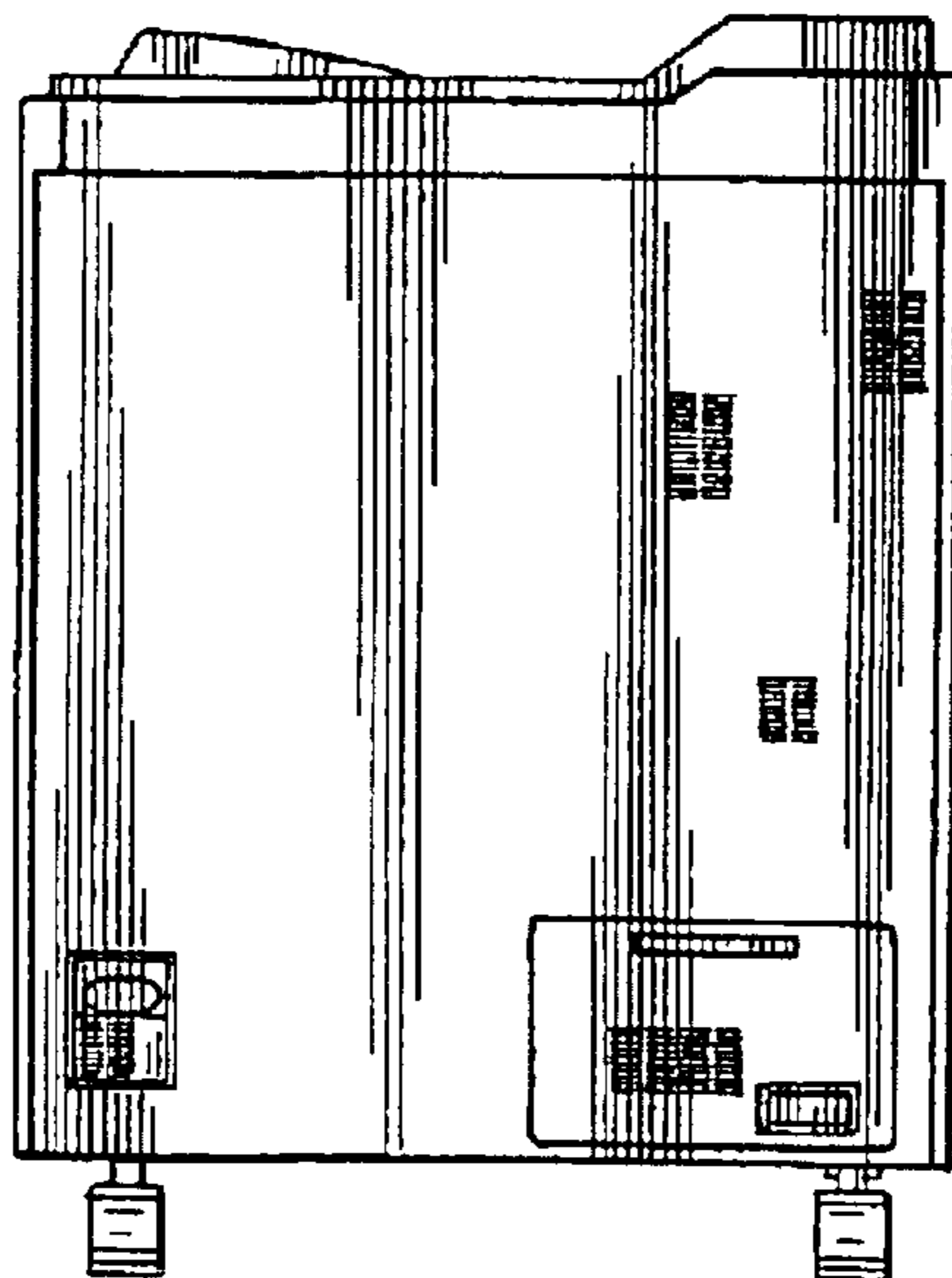


Fig. 2

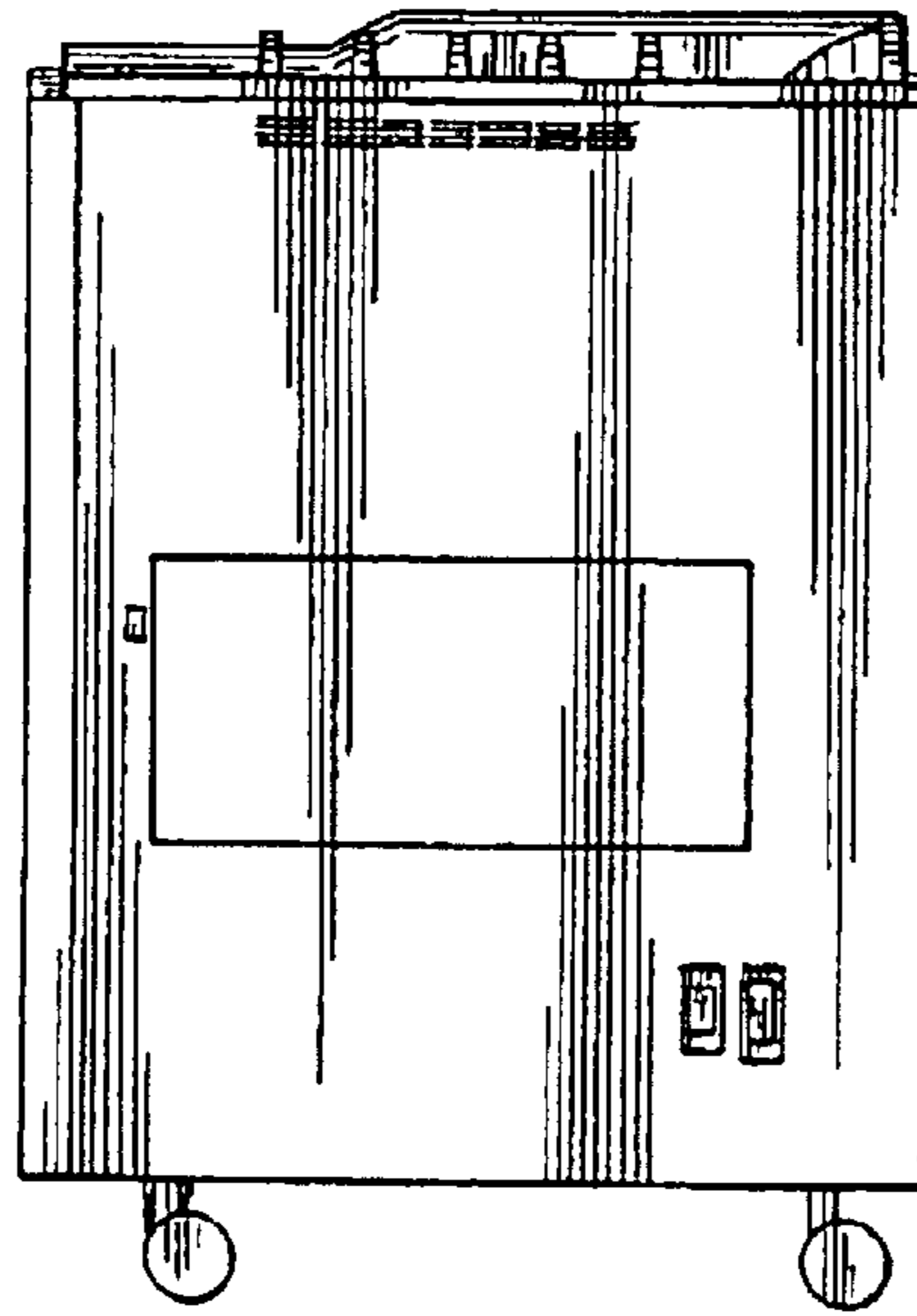


Fig. 3

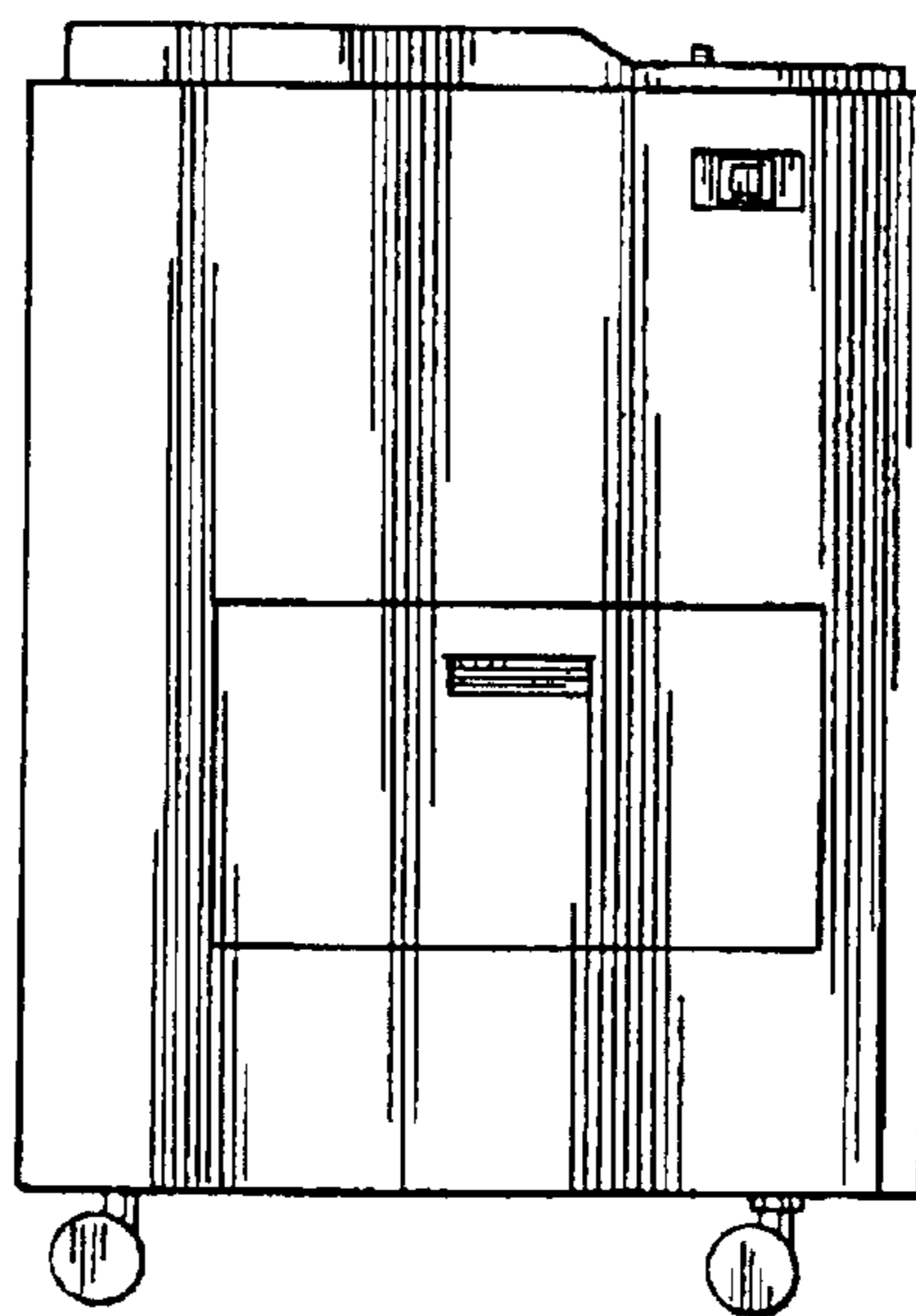


Fig. 4

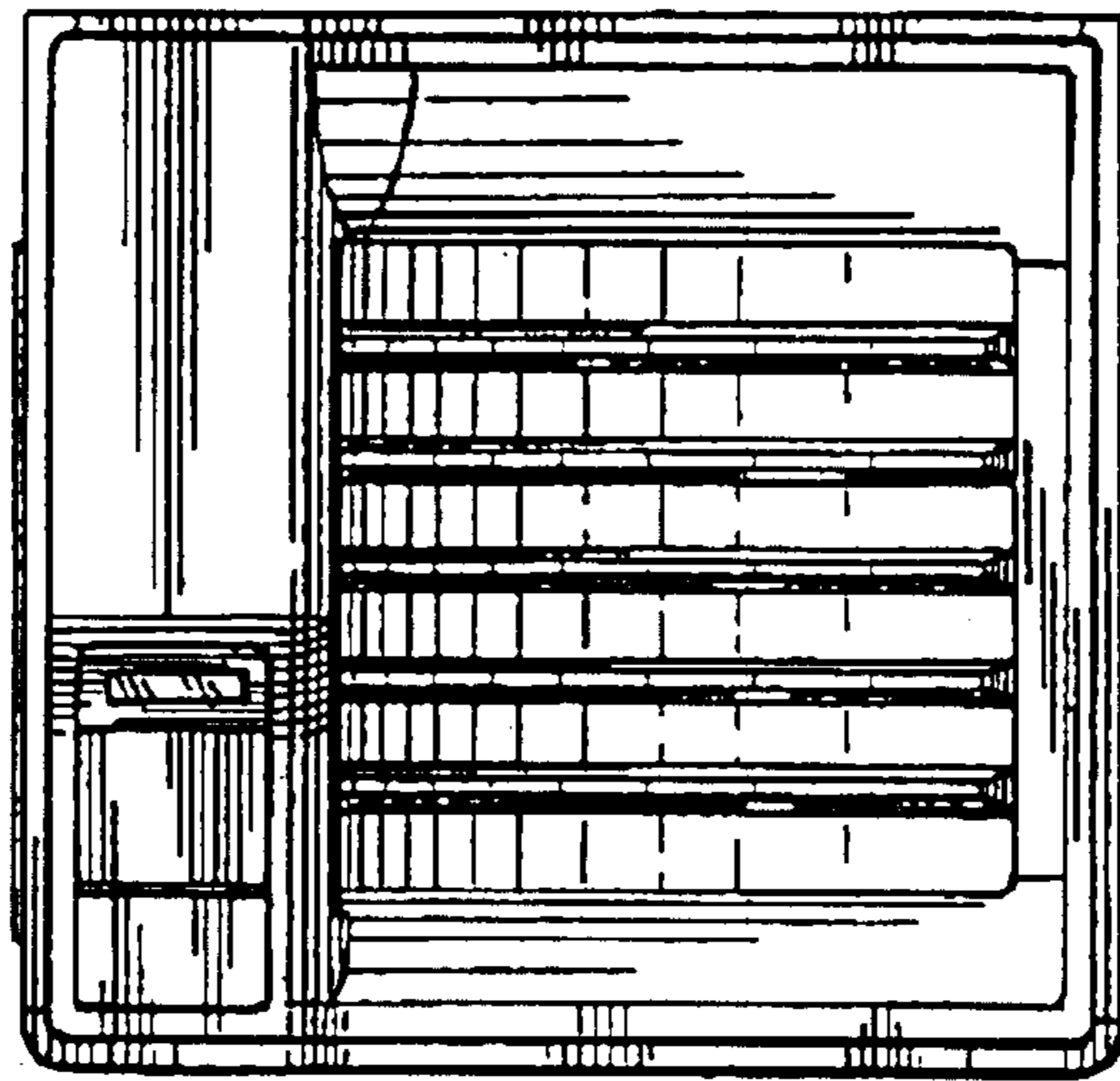


Fig. 5

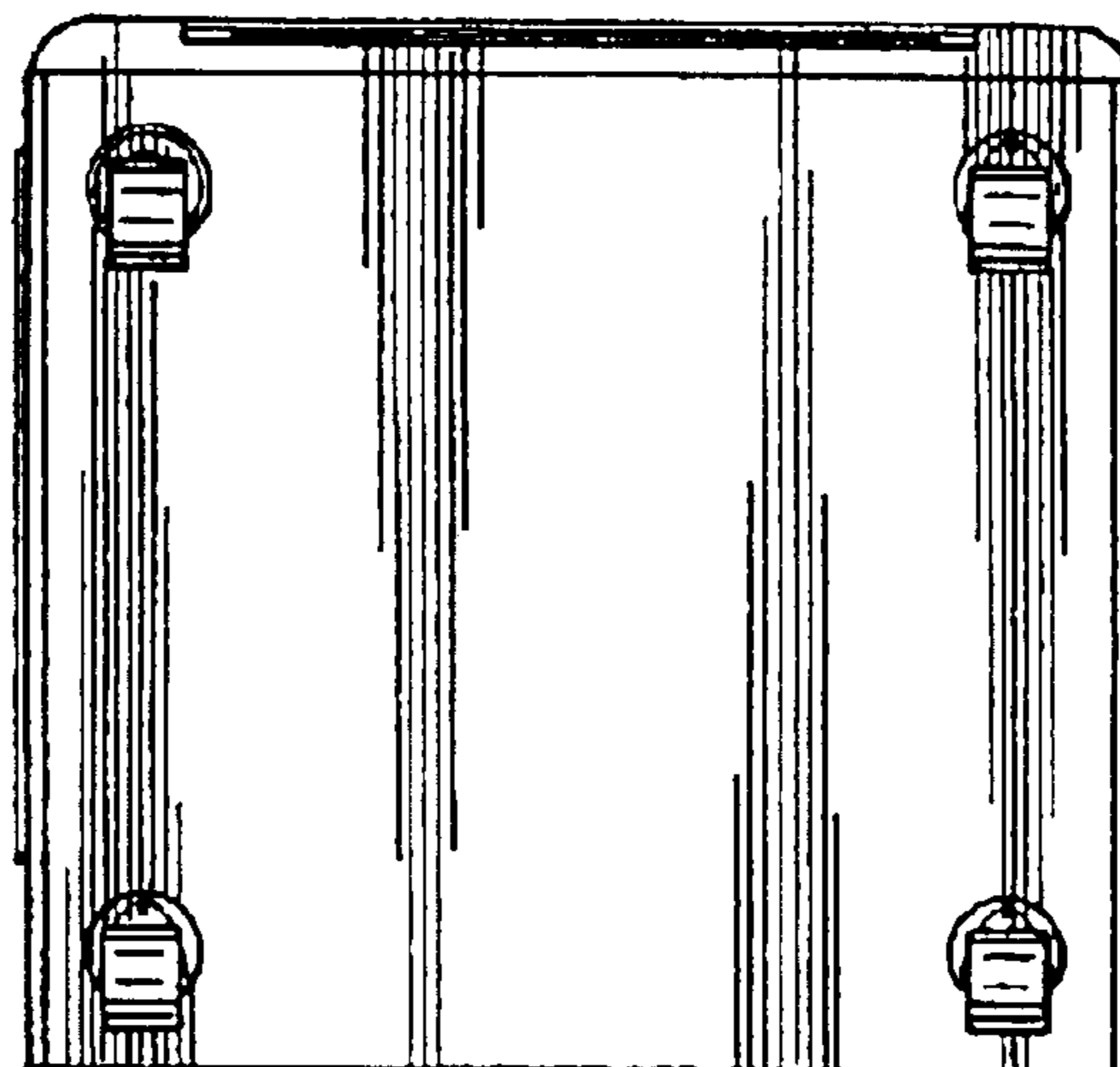


Fig. 6

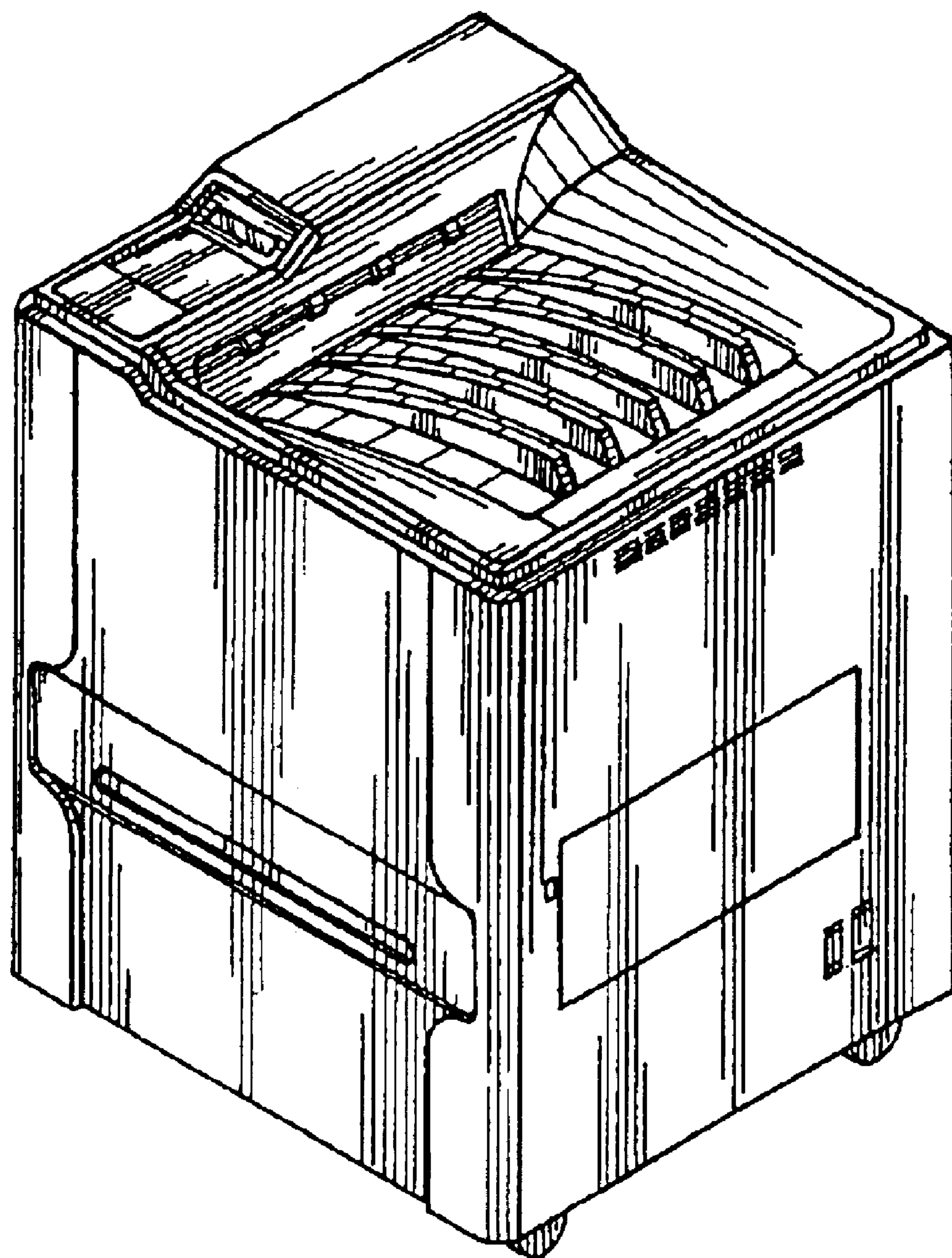


Fig. 7