

US00D494677S1

(12) **United States Design Patent**
Garvin

(10) **Patent No.:** **US D494,677 S**

(45) **Date of Patent:** **** Aug. 17, 2004**

(54) **NEEDLE HUB**

(75) **Inventor:** **David Garvin**, Coral Gables, FL (US)

(73) **Assignee:** **Retrax Safety Systems, Inc.**, Miami, FL (US)

(**) **Term:** **14 Years**

(21) **Appl. No.:** **29/169,288**

(22) **Filed:** **Oct. 16, 2002**

(51) **LOC (7) Cl.** **24-02**

(52) **U.S. Cl.** **D24/130**

(58) **Field of Search** D24/130, 112,
D24/129, 222; 604/533, 246, 905, 283,
187, 247, 177

(56) **References Cited**

U.S. PATENT DOCUMENTS

D303,291 S * 9/1989 Magrath D24/129
6,106,502 A * 8/2000 Richmond 604/246

2002/0128607 A1 * 9/2002 Haury et al. 604/905

* cited by examiner

Primary Examiner—Ian Simmons

(74) *Attorney, Agent, or Firm*—McHale & Slavin, P.A.

(57) **CLAIM**

The ornamental design for a needle hub, as shown and described.

DESCRIPTION

FIG. 1 is a side elevational view of a needle hub, showing my new design. The broken line showing of the syringe and needle are for illustrative purposes only and forms no part of the claimed design;

FIG. 2 is a perspective view of the needle hub;

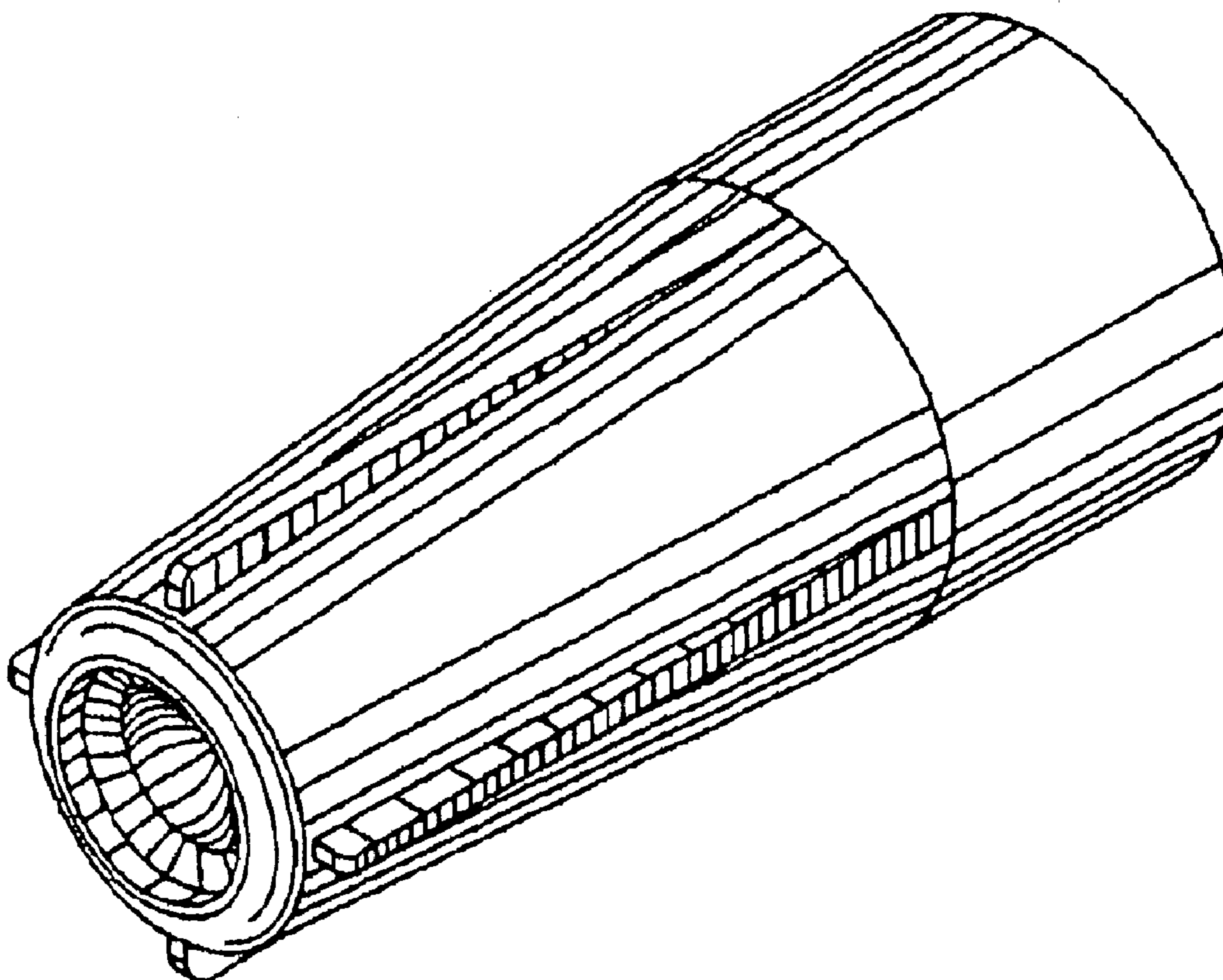
FIG. 3 is a front end view thereof;

FIG. 4 is a cross-sectional view thereof, taken along the line 4—4 of FIG.;

FIG. 5 is a rear end view thereof; and,

FIG. 6 is side elevational view thereof.

1 Claim, 2 Drawing Sheets



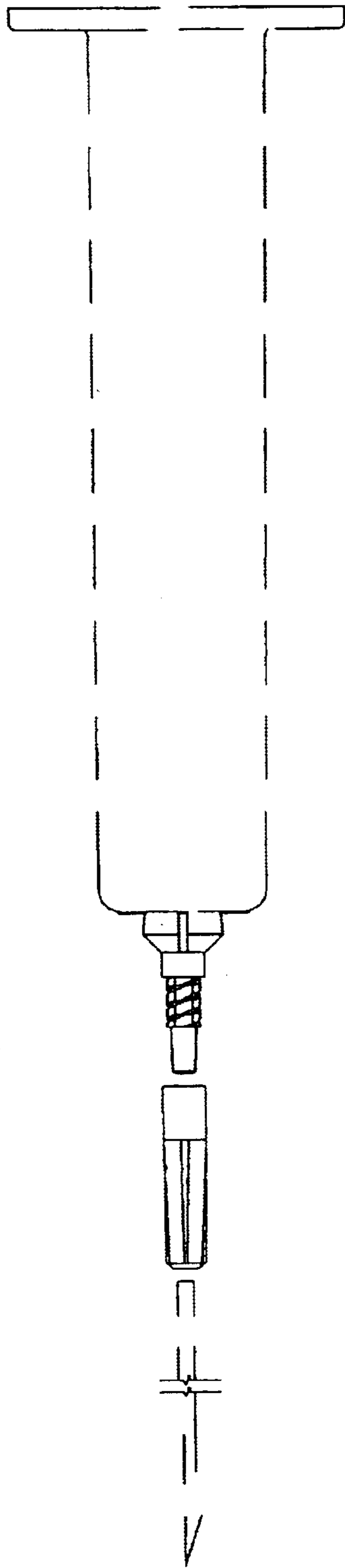


FIG 1

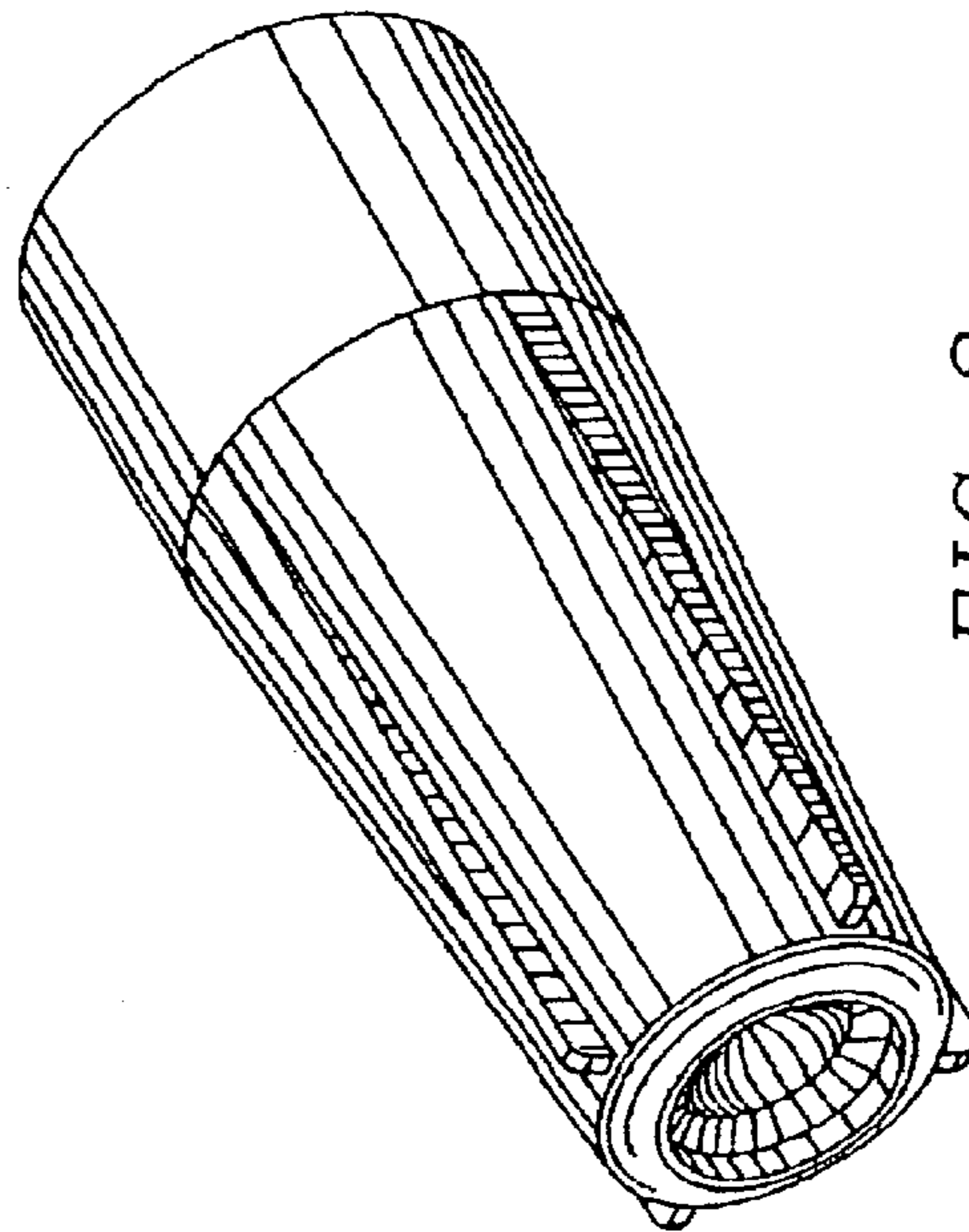


FIG 2

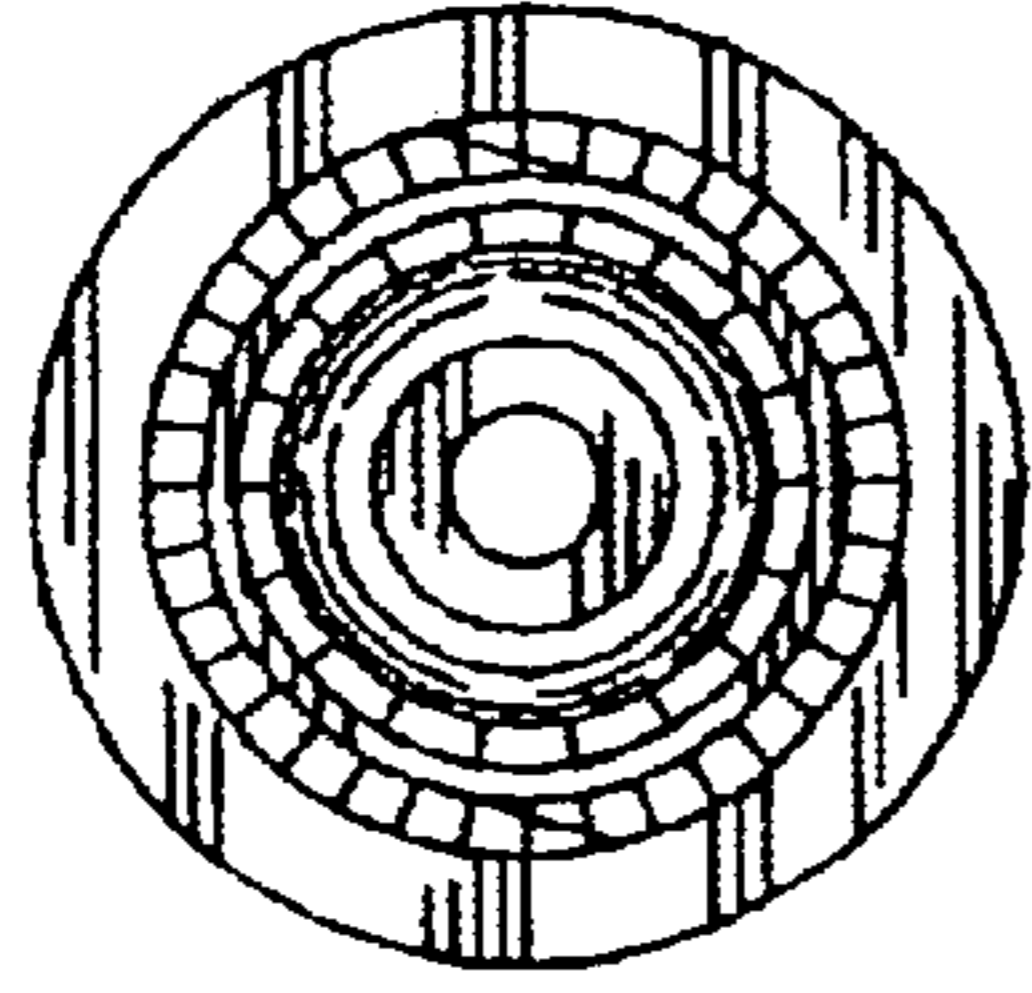


FIG 5

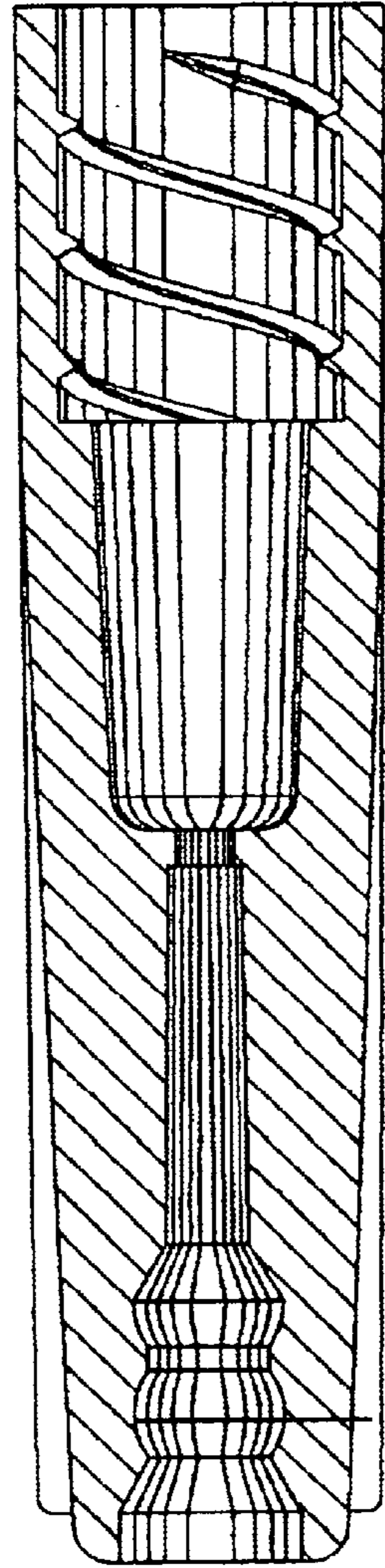


FIG 4

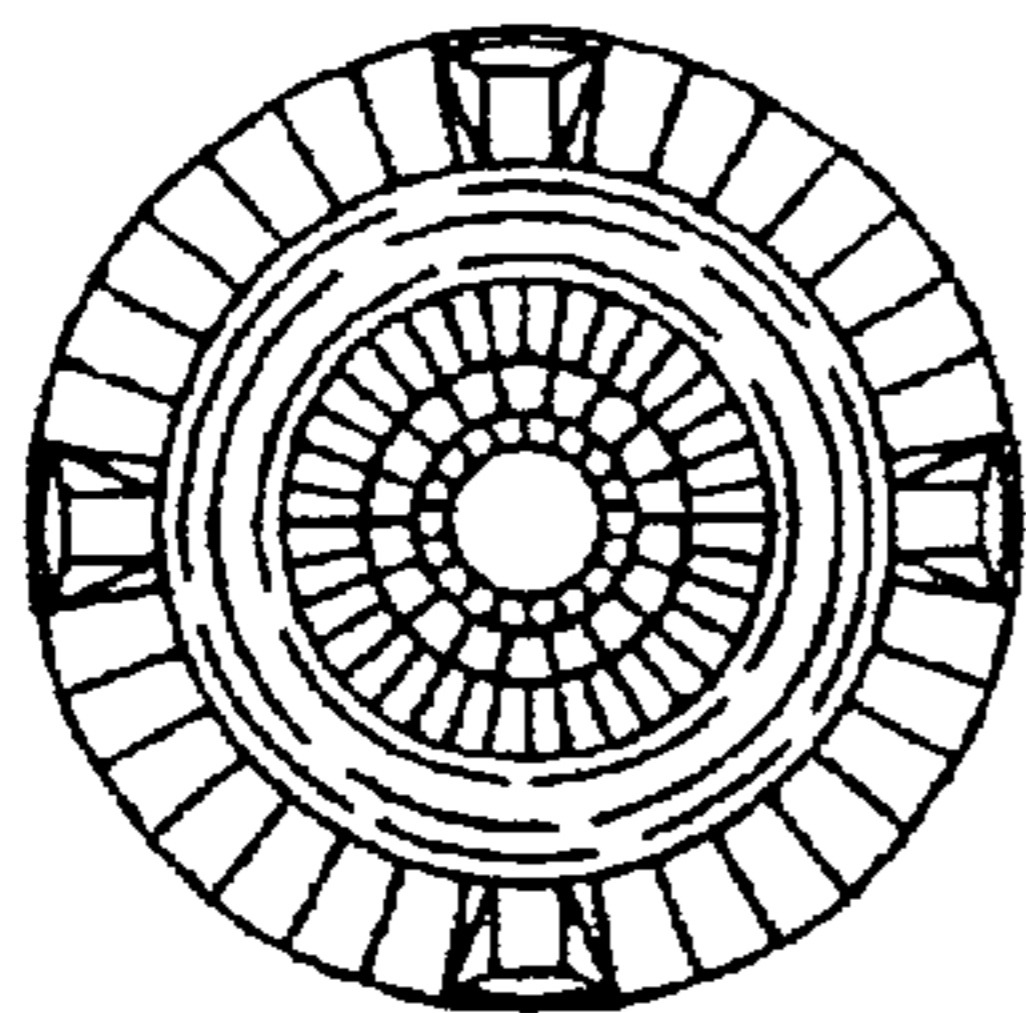


FIG 3

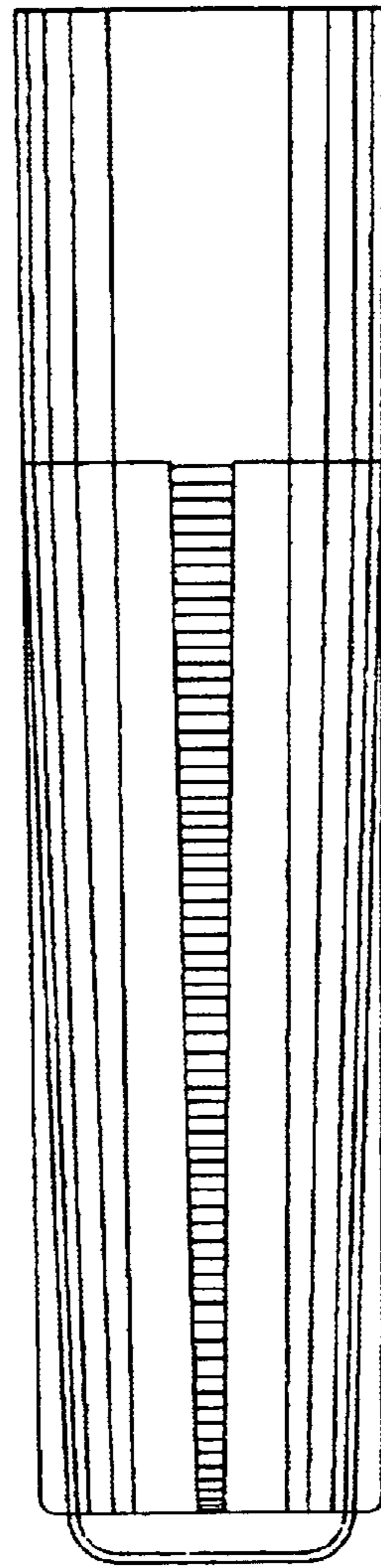


FIG 6

