

US00D494673S1

(12) **United States Design Patent** (10) **Patent No.:** **US D494,673 S**
King et al. (45) **Date of Patent:** **** Aug. 17, 2004**

(54) **INHALATION DEVICE**

2002/0157664 A1 * 10/2002 Fugelsang et al. 128/200.23

(75) Inventors: **Michael L. King**, Durham, NC (US);
Alan Ball, Somerville, MA (US);
James Taylor Lloyd, Somerville, MA (US)

* cited by examiner

Primary Examiner—Ian Simmons
(74) *Attorney, Agent, or Firm*—Robert J. Smith

(73) Assignee: **SmithKline Beecham**, Philadelphia, PA (US)

(57) **CLAIM**

The ornamental design for an inhalation device, as shown and described.

(**) Term: **14 Years**

DESCRIPTION

(21) Appl. No.: **29/172,902**

FIG. 1 is a perspective view of an inhalation device showing our new design, with the cover shown in open position; FIG. 2 is a side view thereof; FIG. 3 is a front view thereof; FIG. 4 is a back view thereof; FIG. 5 is a top view thereof; FIG. 6 is a bottom view thereof; FIG. 7 is a perspective view thereof, with the cover shown in closed position; FIG. 8 is a side view thereof; FIG. 9 is a front view thereof; FIG. 10 is a back view thereof; FIG. 11 is a top view thereof; and, FIG. 12 is a bottom view thereof.

(22) Filed: **Dec. 18, 2002**

(51) **LOC (7) Cl.** **29-02**

(52) **U.S. Cl.** **D24/110**

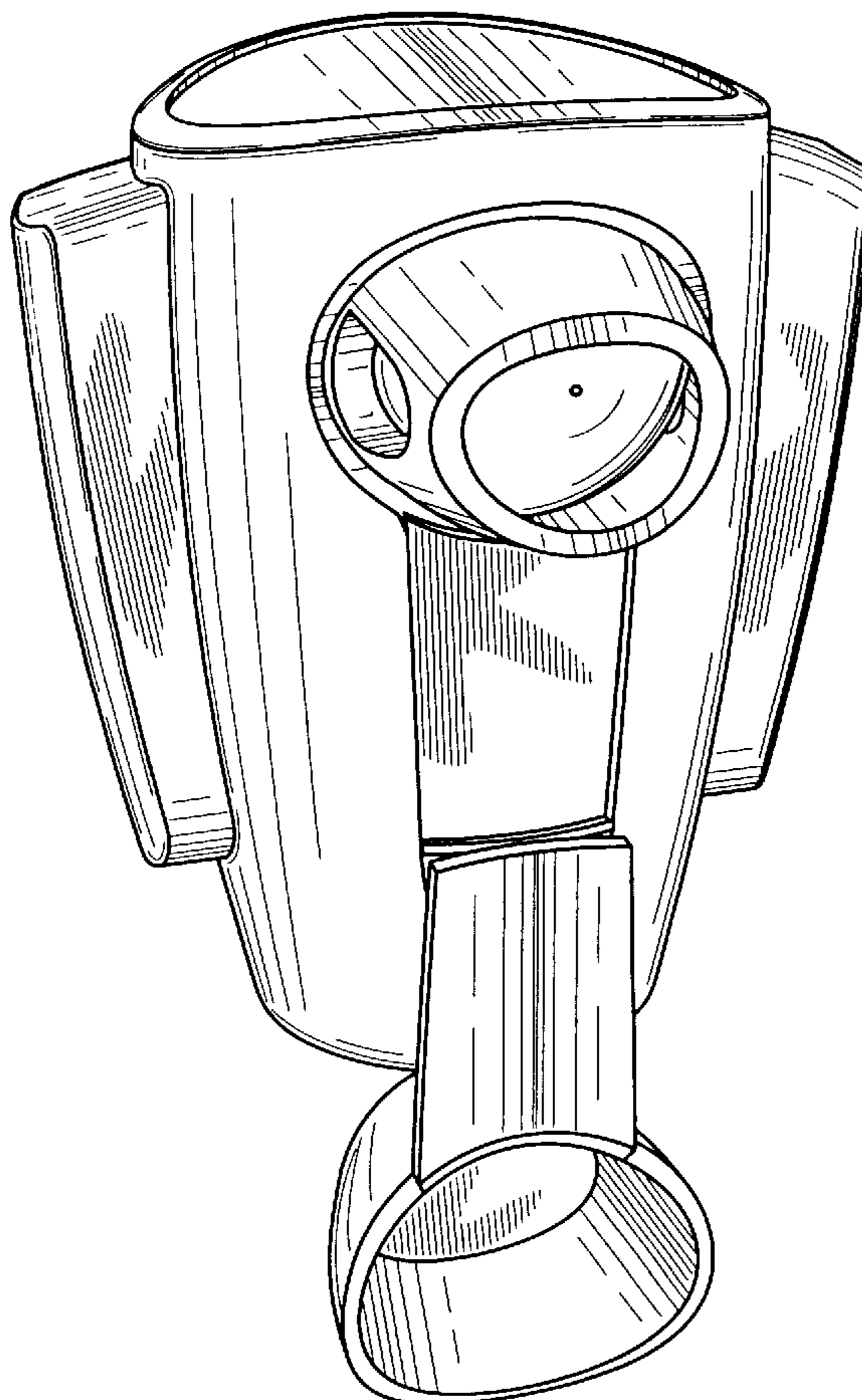
(58) **Field of Search** D24/110, 110.5; 128/200.24, 200.22, 200.23, 200.14, 200.12, 203.12, 203.14, 203.15, 203.25, 204.25, 207.14

(56) **References Cited**

U.S. PATENT DOCUMENTS

D449,684 S * 10/2001 Christrup et al. D24/110
2001/0013343 A1 * 8/2001 Andersson 128/200.24

1 Claim, 4 Drawing Sheets



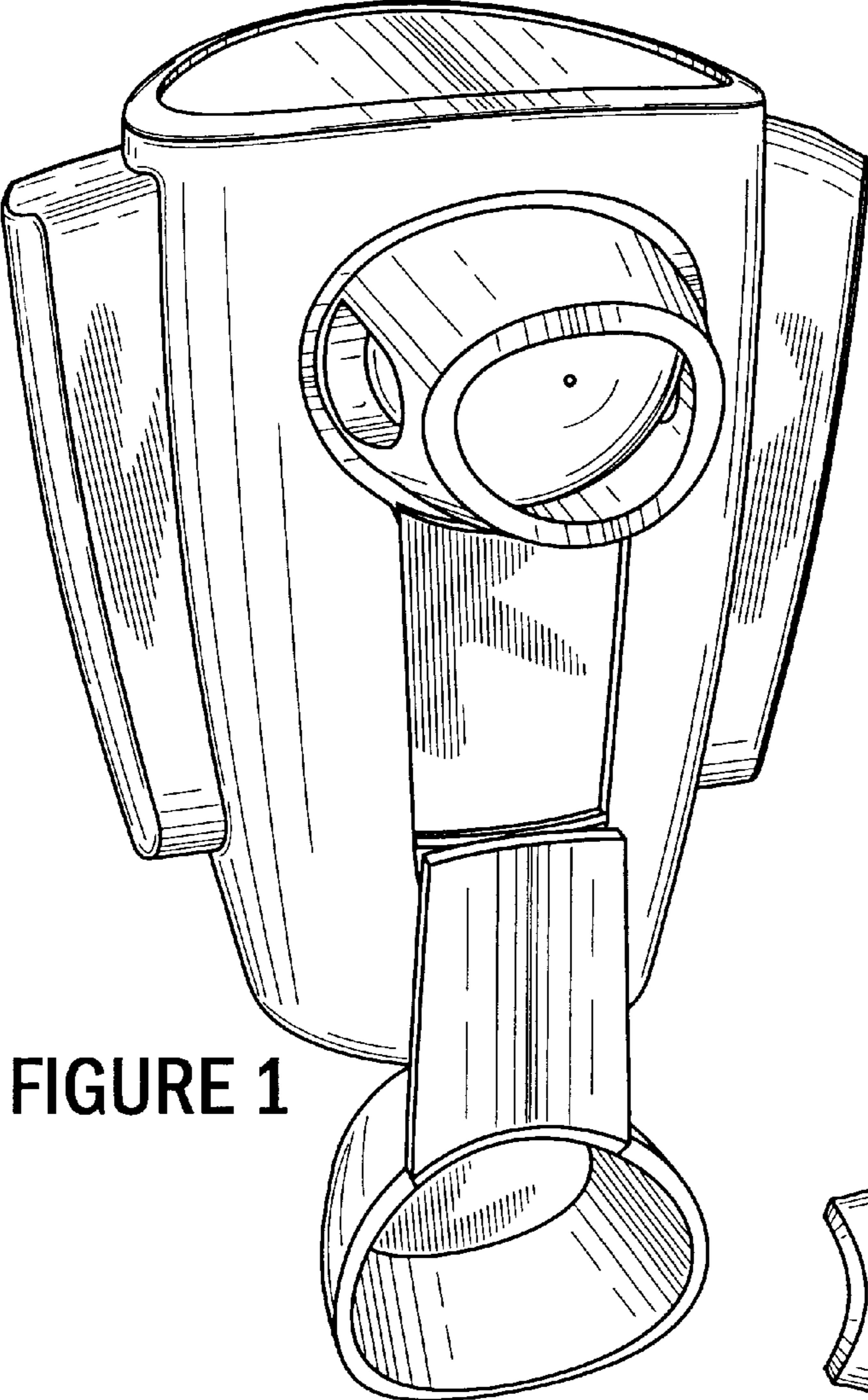


FIGURE 1

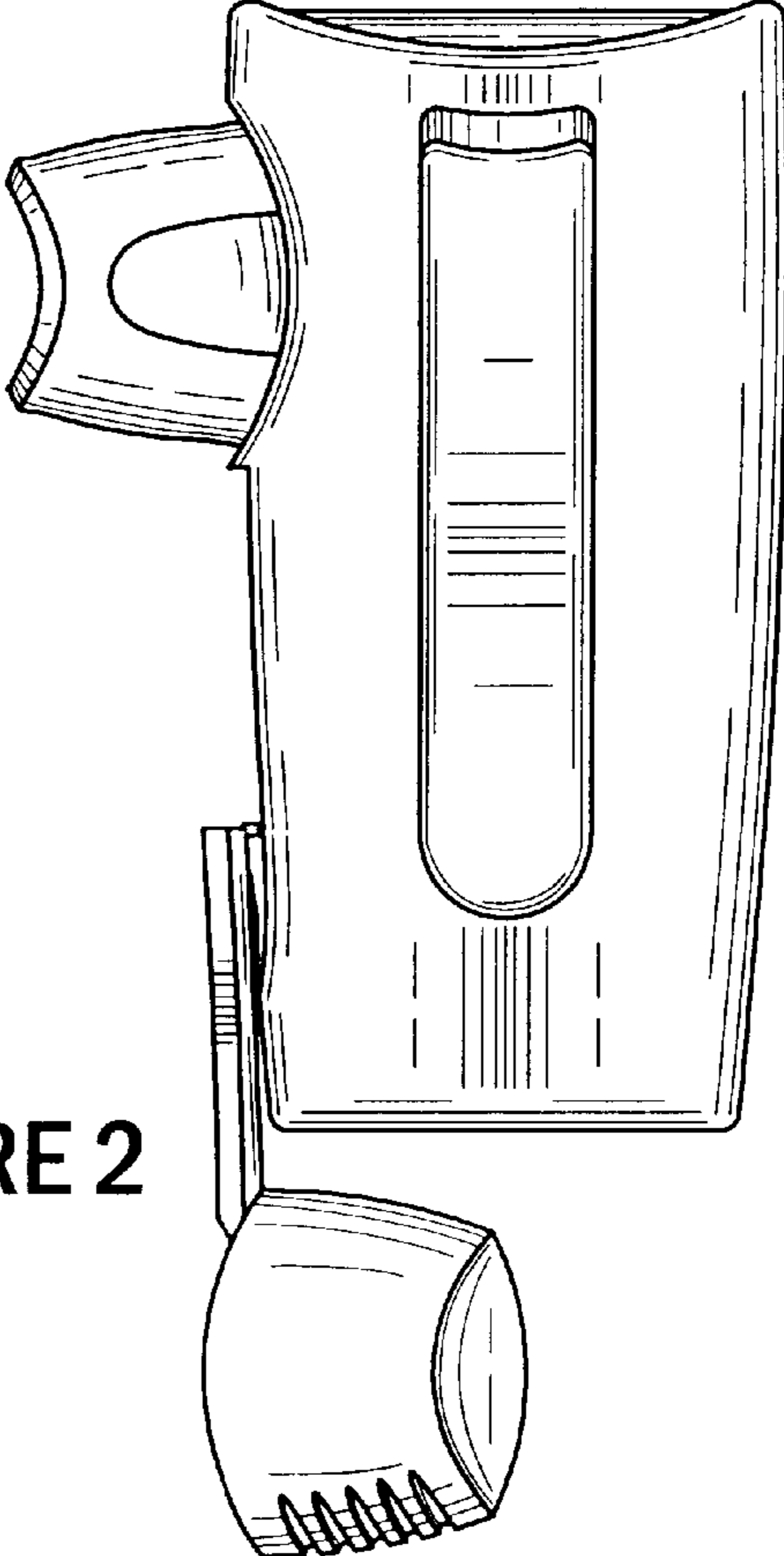


FIGURE 2

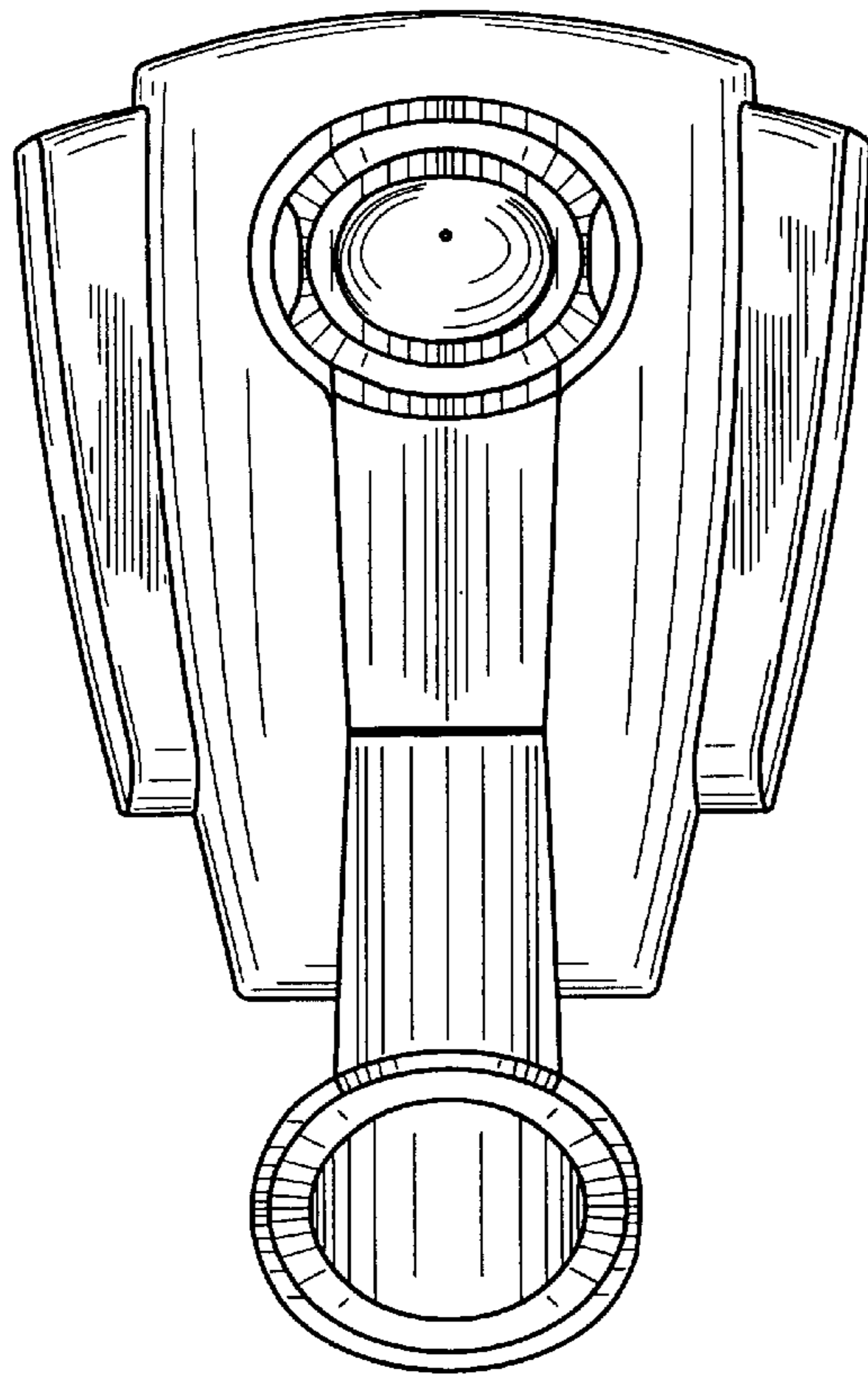


FIGURE 3

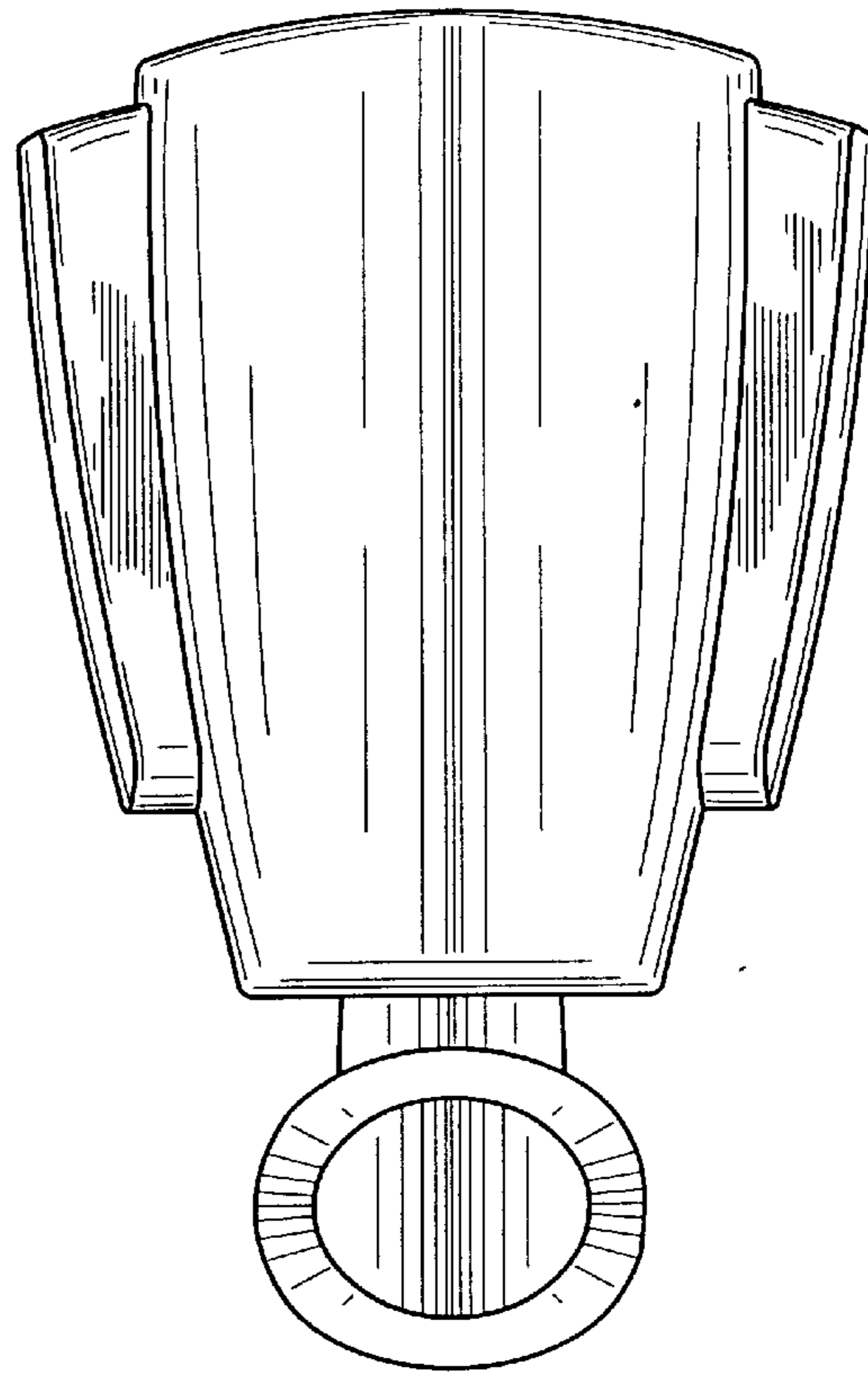


FIGURE 4

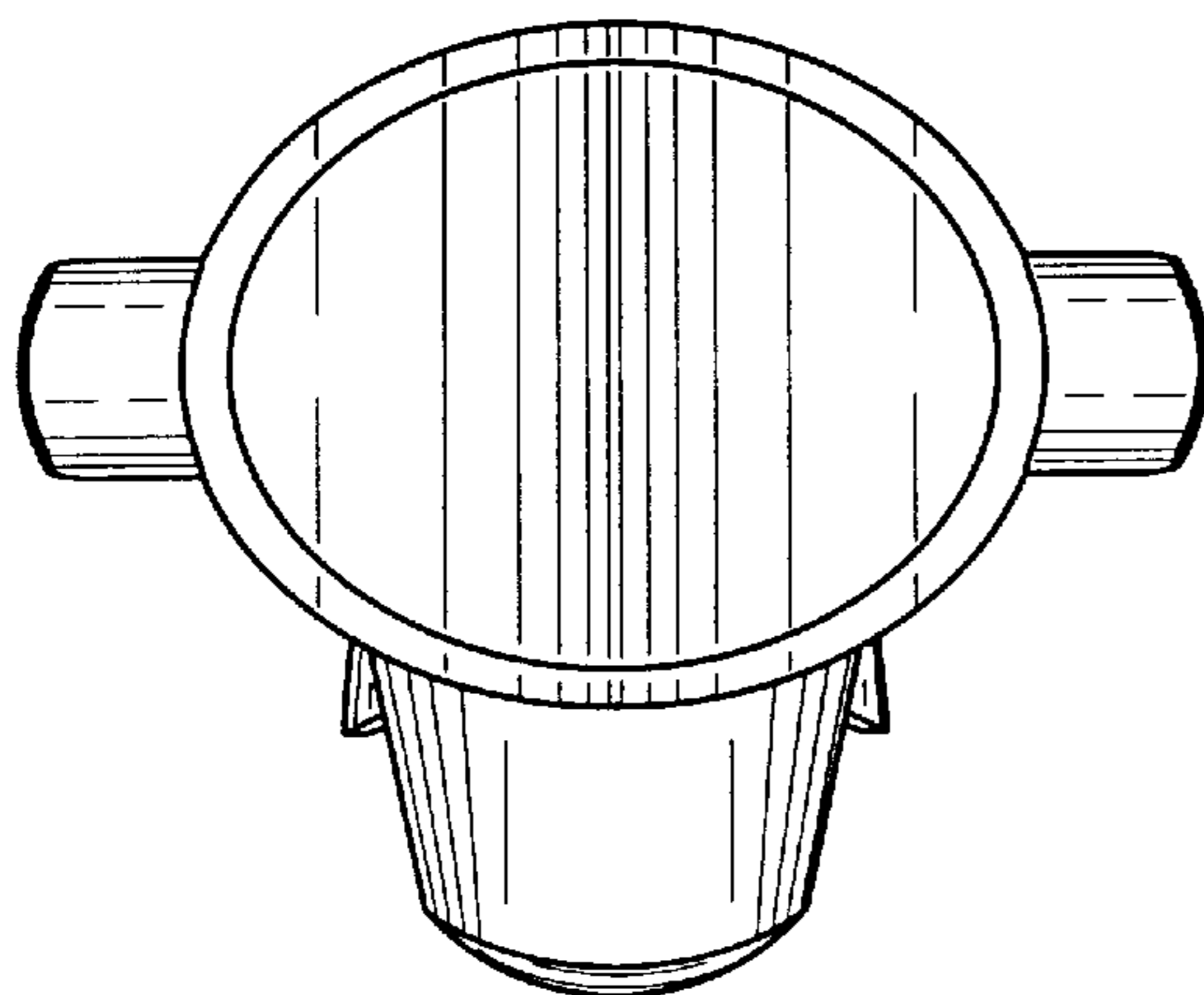


FIGURE 5

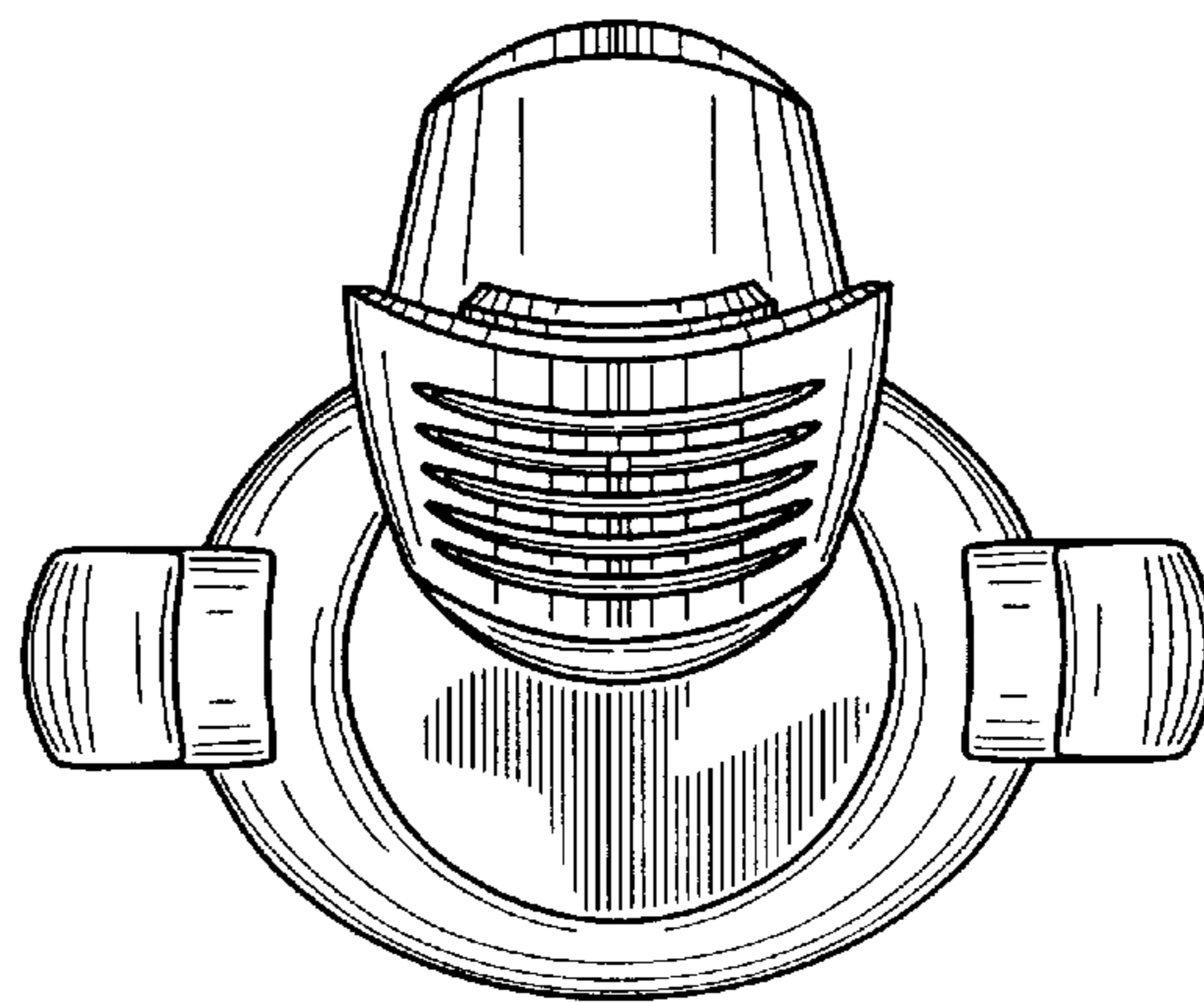


FIGURE 6

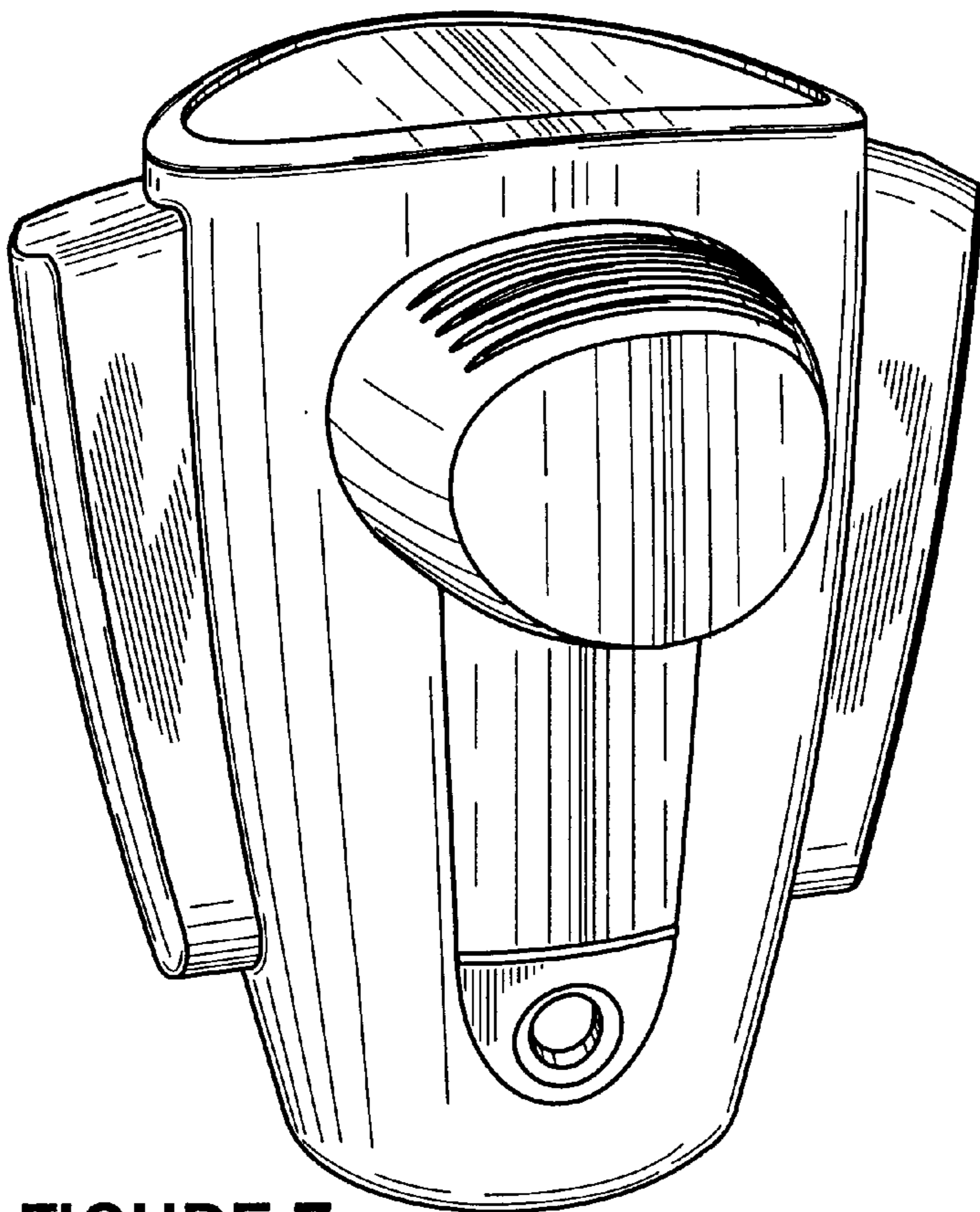


FIGURE 7

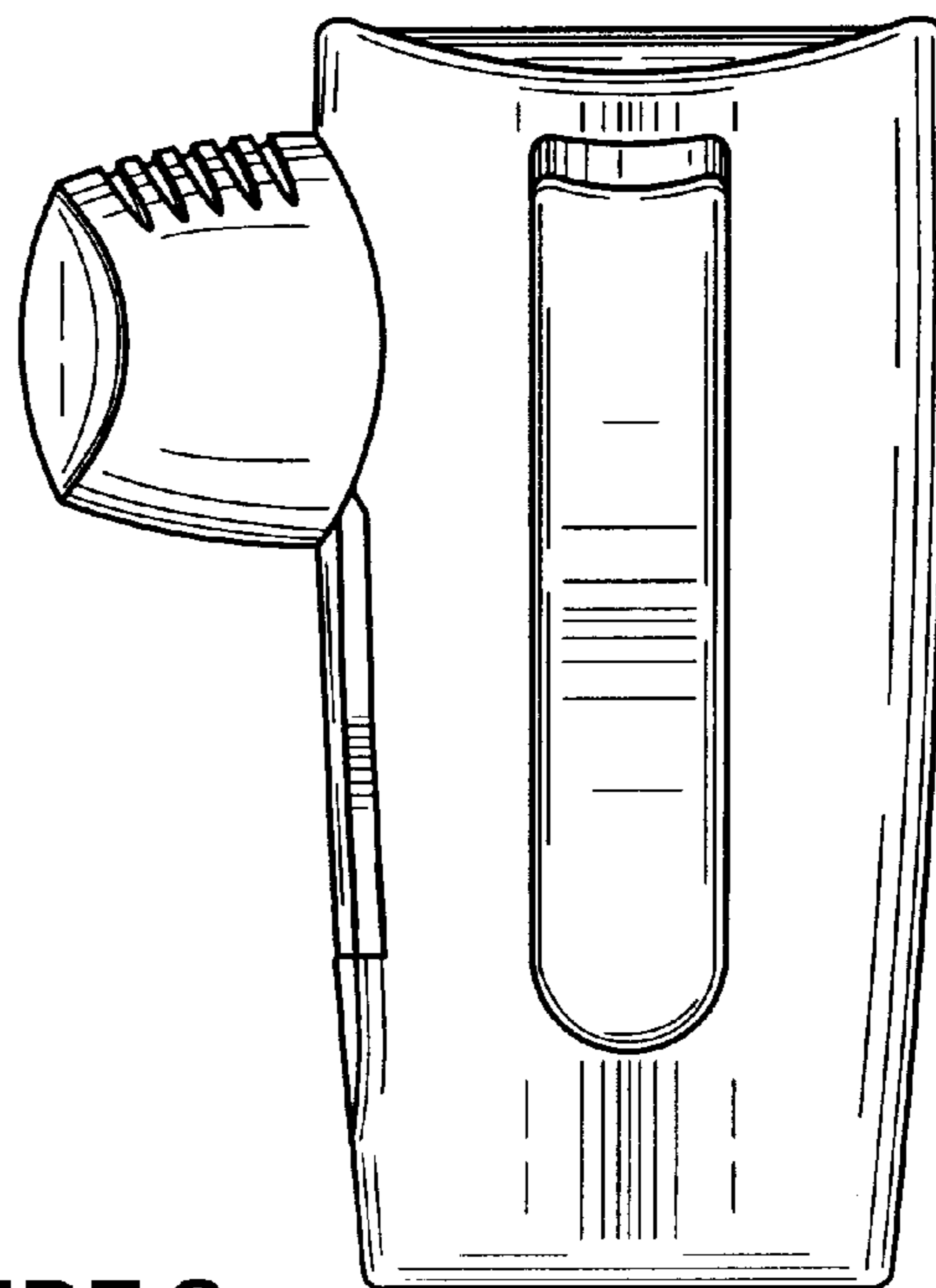


FIGURE 8

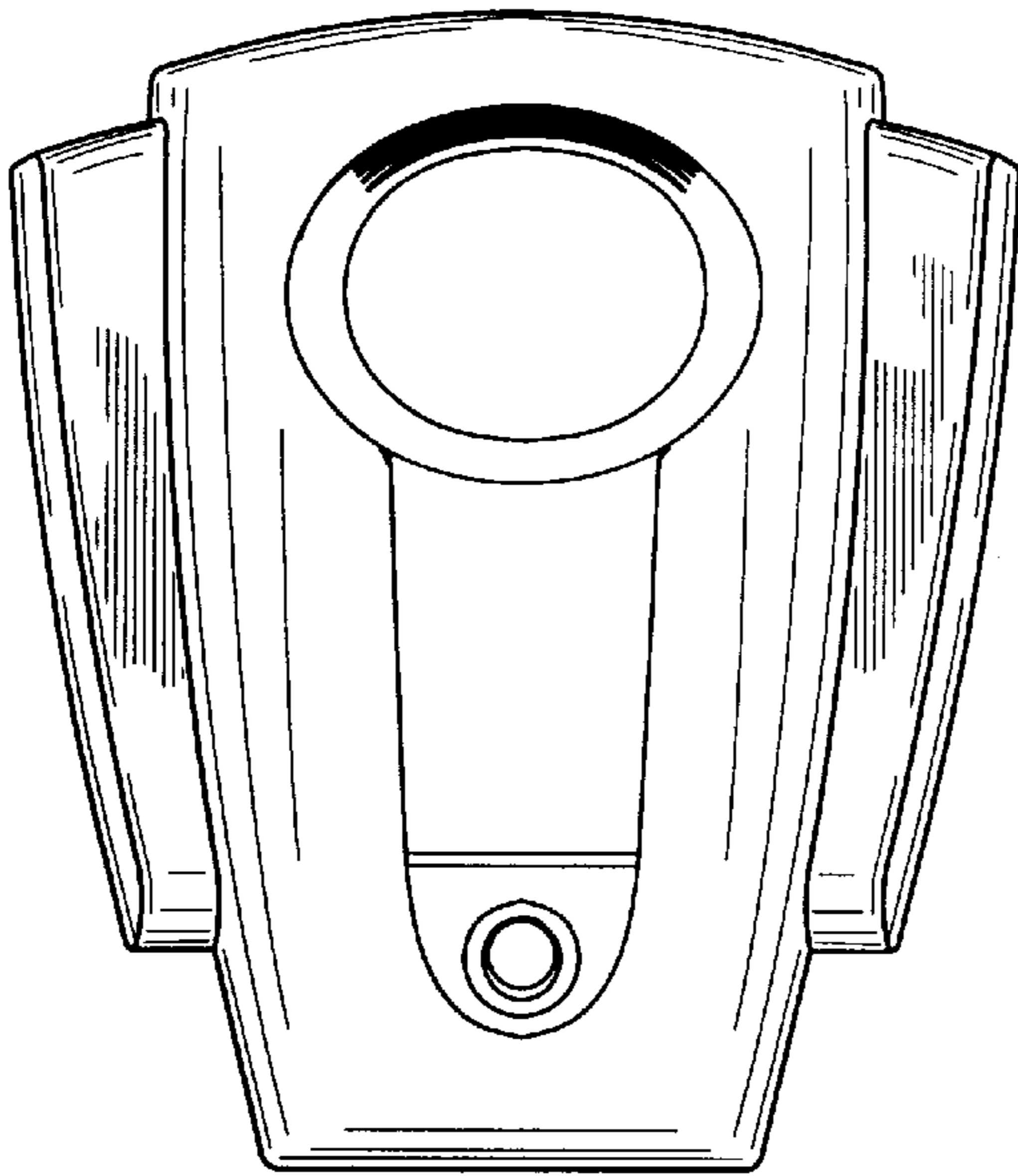


FIGURE 9

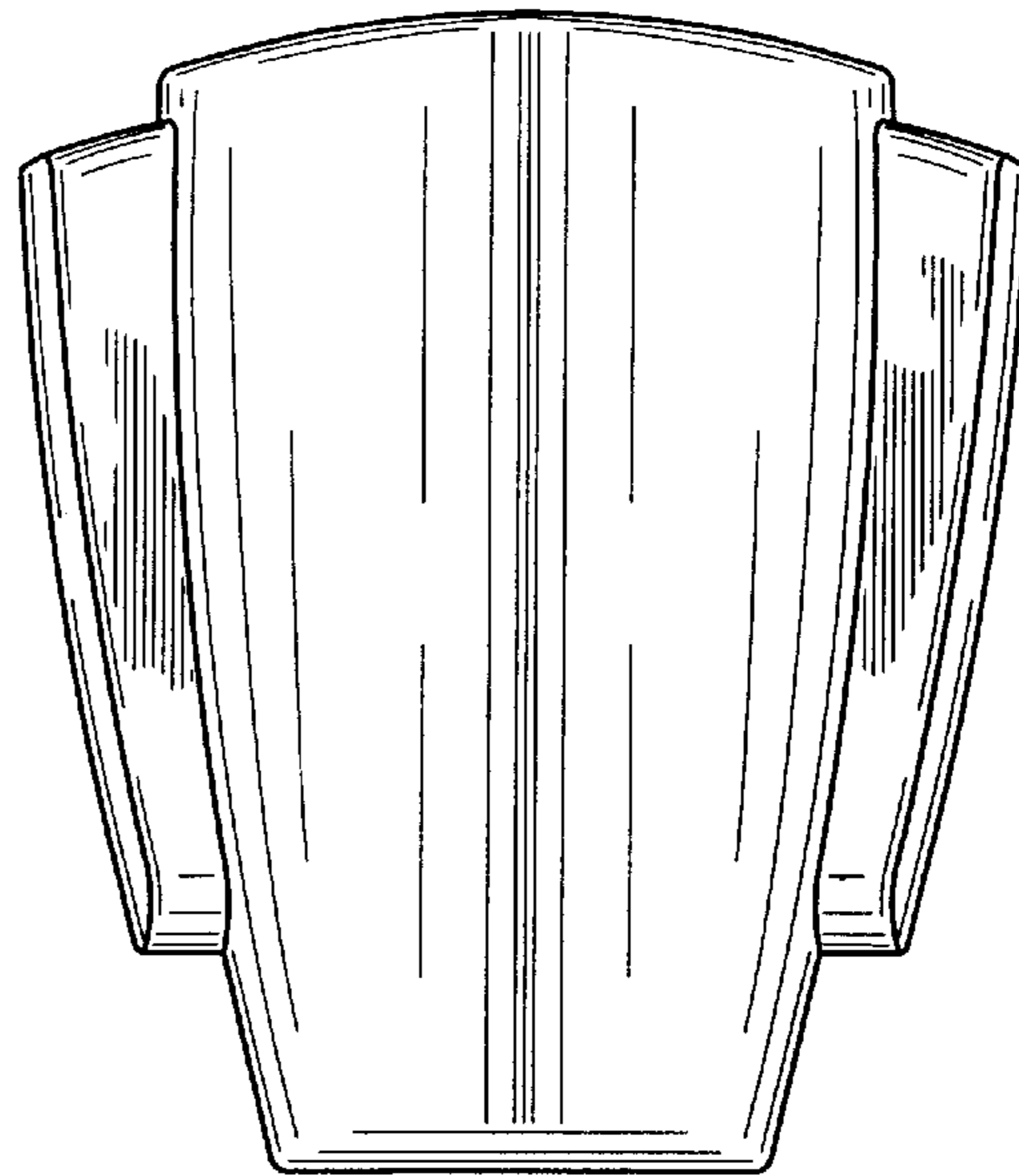


FIGURE 10

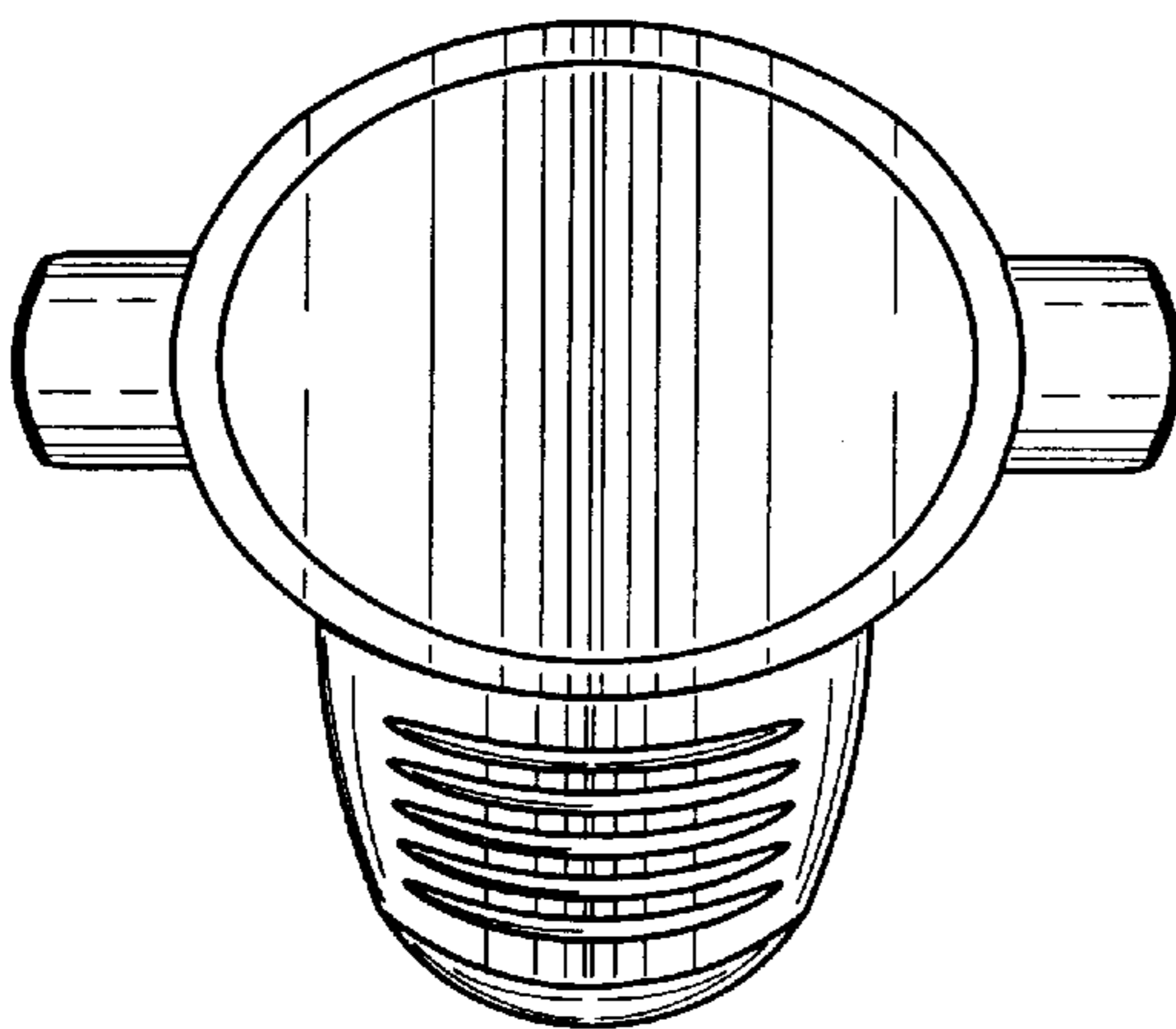


FIGURE 11

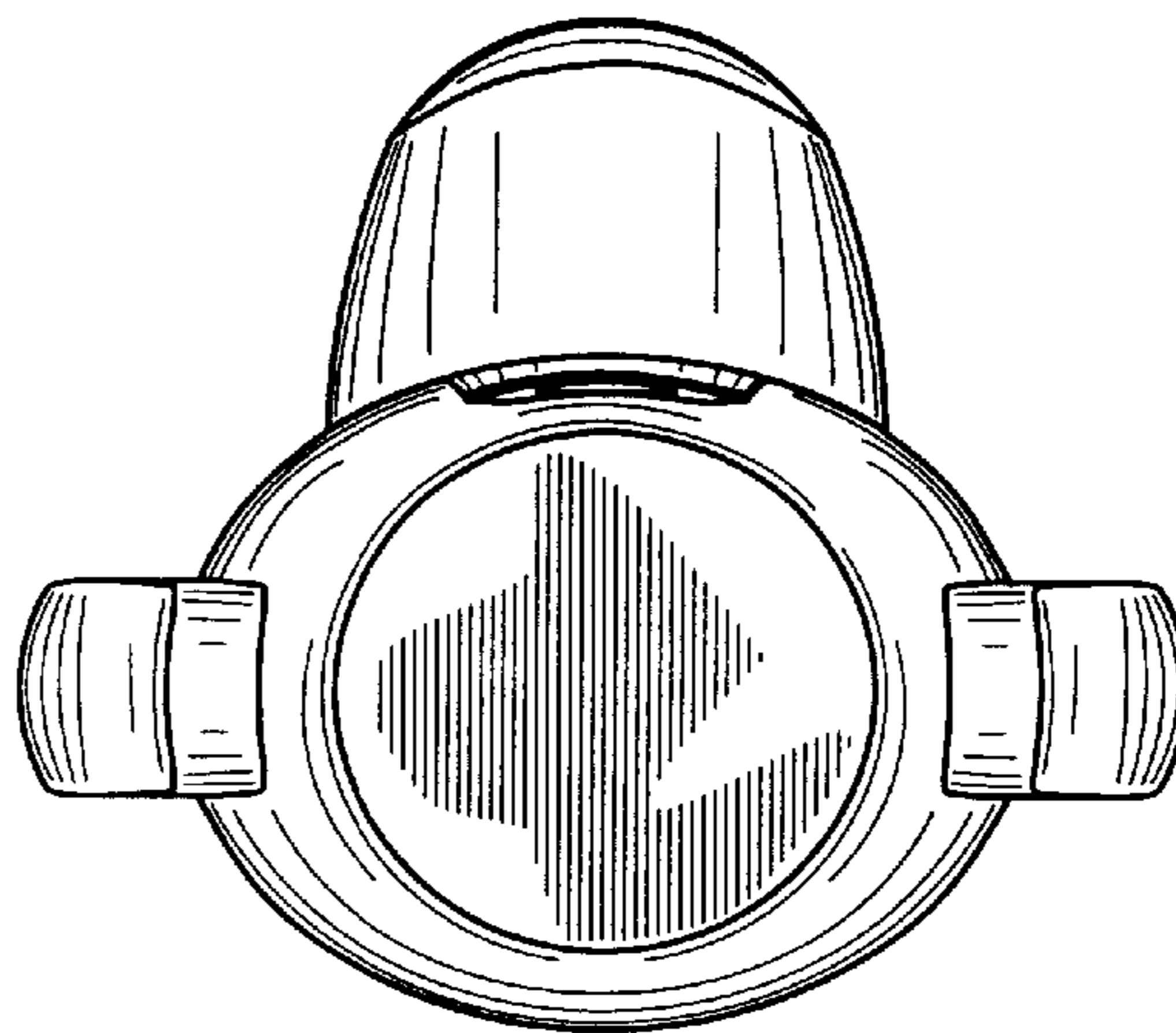


FIGURE 12