

US00D494669S1

(12) **United States Design Patent**  
**Achen**

(10) **Patent No.:** **US D494,669 S**

(45) **Date of Patent:** **\*\* Aug. 17, 2004**

(54) **VENT WITH RECTANGULAR BOX AND PERIPHERAL FLANGE**

(76) **Inventor:** **John J. Achen**, 12432 Del Rico, Yuma, AZ (US) 85367

(\*\*) **Term:** **14 Years**

(21) **Appl. No.:** **29/194,060**

(22) **Filed:** **Nov. 19, 2003**

(51) **LOC (7) Cl.** ..... **23-02**

(52) **U.S. Cl.** ..... **D23/388**

(58) **Field of Search** ..... D23/314, 329, D23/386-389, 392-393, 499; 126/110 A, 285 R, 152 R, 163 R, 163 A, 160, 152 A, 152 B; 110/217, 268, 298, 299, 163, 349; 454/133, 224, 227, 280, 309, 283-284, 306-307, 330-331, 370, 906

(56) **References Cited**

**U.S. PATENT DOCUMENTS**

637,519 A	11/1899	Mertins	
655,590 A	* 8/1900	Thomas et al.	..... D23/388
2,790,376 A	4/1957	Kennedy et al.	
2,930,309 A	3/1960	Prager	
2,949,842 A	* 8/1960	Crandall	..... D23/388
3,740,934 A	6/1973	Shuler	
4,469,018 A	9/1984	Taulman	
4,550,648 A	11/1985	Eagle	
4,592,271 A	6/1986	Young	
4,676,145 A	6/1987	Allred	
4,699,045 A	10/1987	Hensley	
4,754,696 A	7/1988	Sarazen et al.	
4,770,087 A	9/1988	Danley et al.	
4,911,066 A	3/1990	Carew	
5,120,273 A	6/1992	Lin	

5,349,799 A	9/1994	Schiedegger et al.	
5,487,701 A	1/1996	Schedegger et al.	
5,758,457 A	6/1998	Achen	
5,976,009 A	11/1999	Achen	
6,012,260 A	1/2000	Hendrick et al.	
6,113,488 A	9/2000	Tiede	
6,601,356 B2 *	8/2003	Snyder	..... 454/331

**OTHER PUBLICATIONS**

Catalog entitled "POLAR Hardware Mfg. Co., Inc.", Catalog No. 90, Chicago, Illinois (cover page, p. 69 and last page), undated.

\* cited by examiner

*Primary Examiner*—Robert A. Delehanty  
(74) *Attorney, Agent, or Firm*—Cahill, von Hellens & Glazer P.L.C.

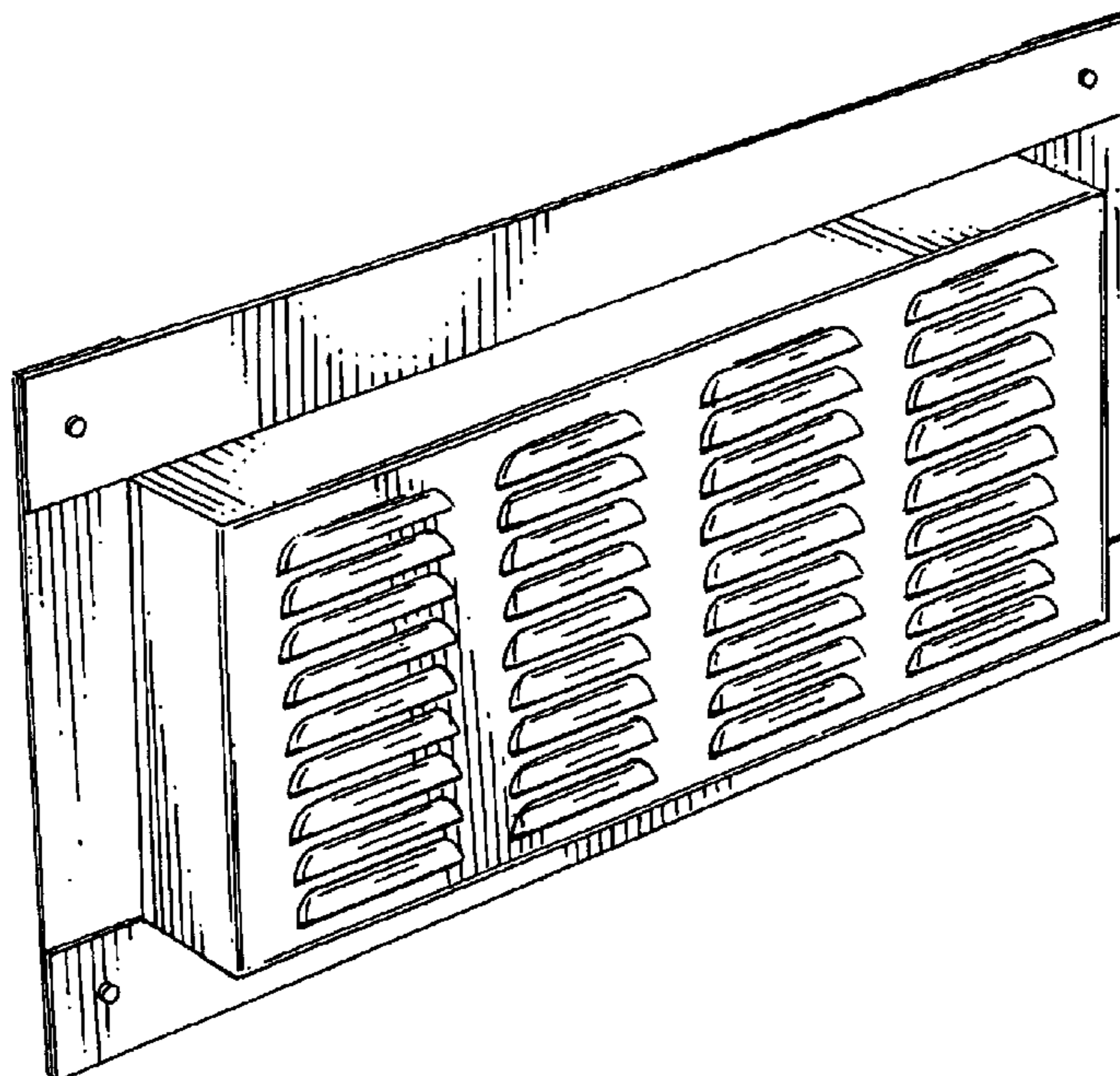
(57) **CLAIM**

The ornamental design for a vent with rectangular box and peripheral flange, as shown and described.

**DESCRIPTION**

FIG. 1 is an isometric view of a vent with rectangular box and peripheral flange showing my design; FIG. 2 is a top view thereof; FIG. 3 is a front elevational view thereof; FIG. 4 is a rear elevational view thereof; FIG. 5 is a bottom view thereof; FIG. 6 is a left side elevational view thereof, the right side elevational view being a mirror image; and, FIG. 7 is a cross sectional view taken along lines 7—7, as shown in FIG. 4 to illustrate an interior screen holding flange.

**1 Claim, 2 Drawing Sheets**



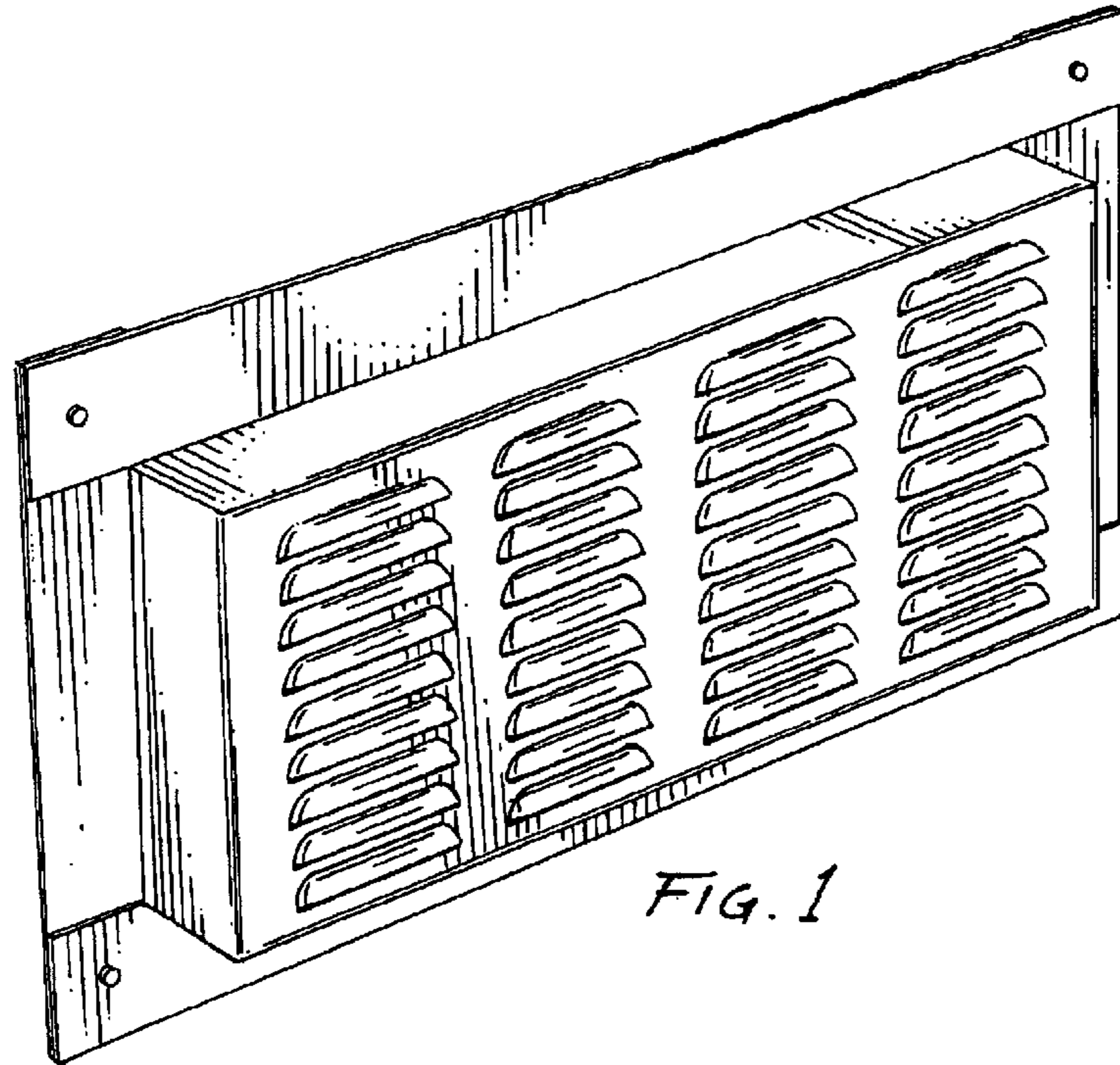


FIG. 1

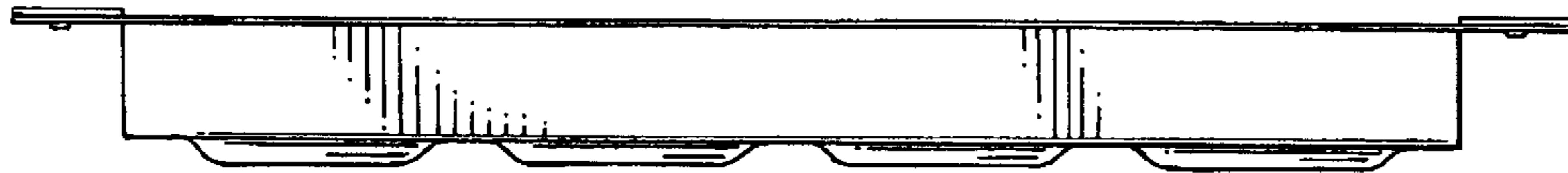


FIG. 2

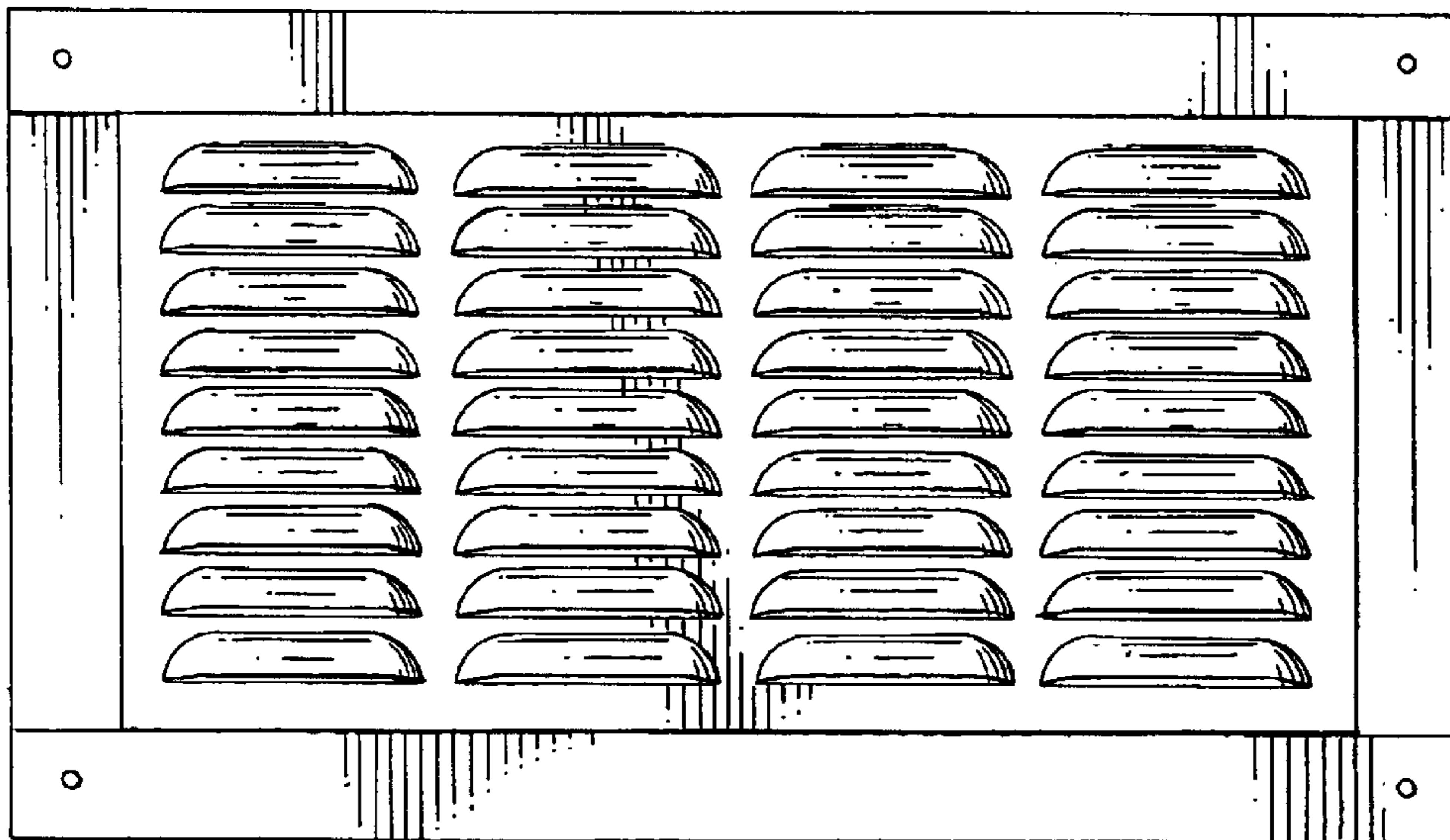


FIG. 3

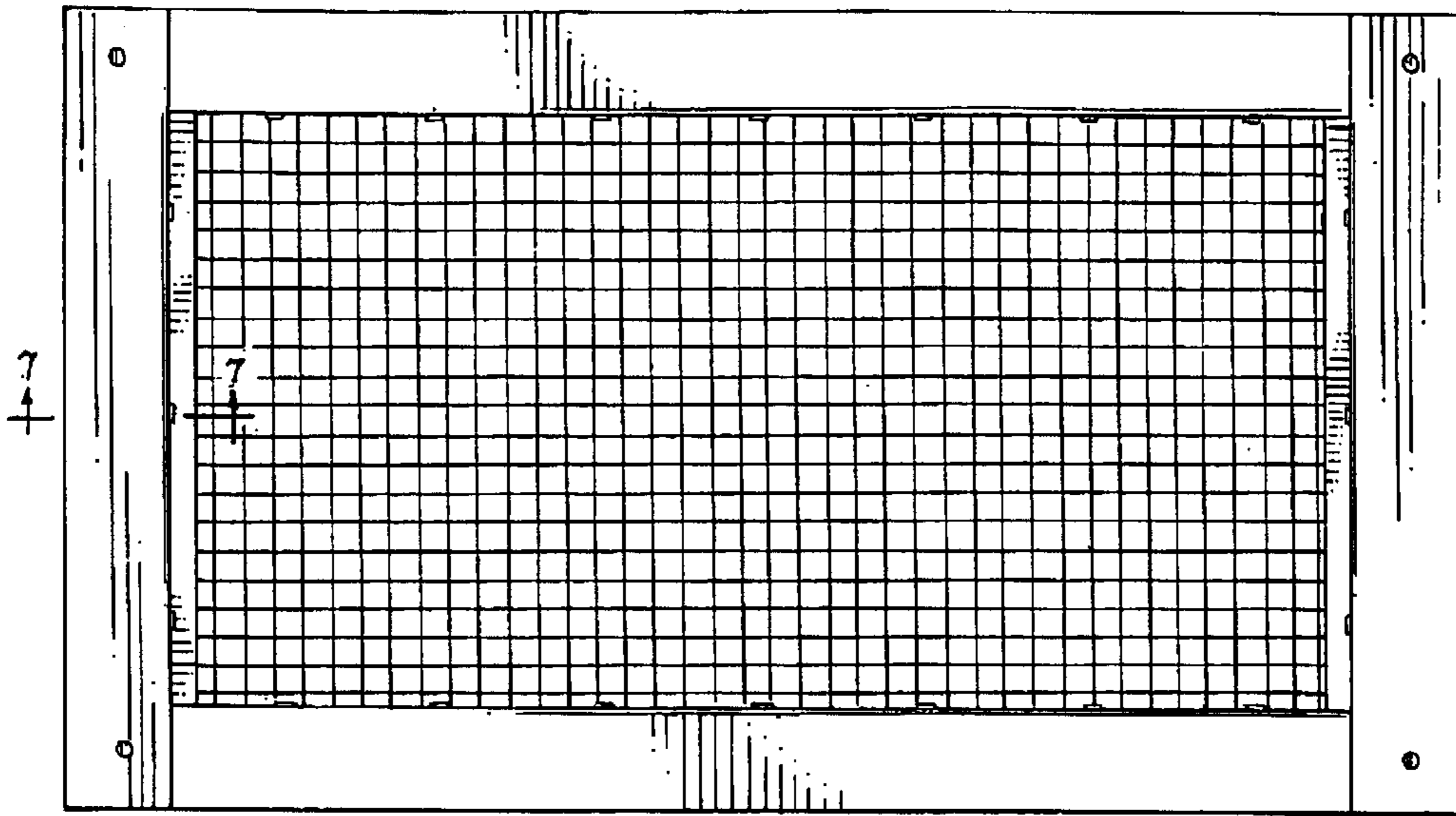


FIG. 4

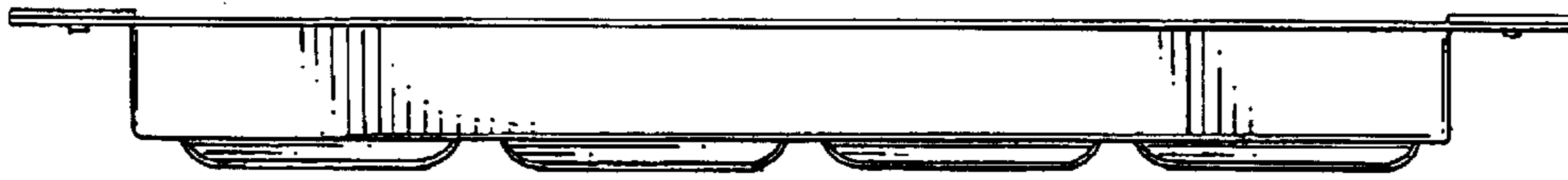


FIG. 5

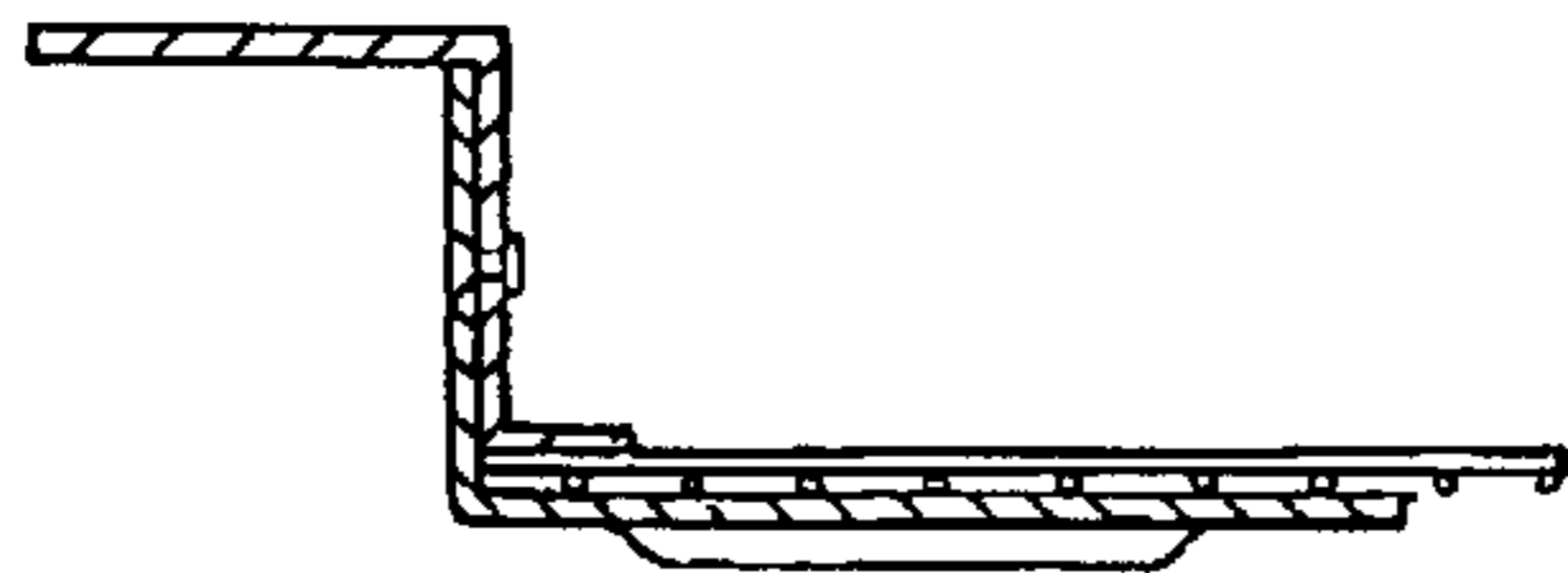


FIG. 7



FIG. 6