

US00D494667S1

(12) **United States Design Patent**
Kergoet

(10) **Patent No.: US D494,667 S**

(45) **Date of Patent: ** Aug. 17, 2004**

(54) **BIDET**

4,962,550 A * 10/1990 Ikenaga et al. 4/420
D388,159 S 12/1997 Laguera Garza

(75) **Inventor: Francois Kergoet, Malakoff (FR)**

OTHER PUBLICATIONS

(73) **Assignee: Kohler France SAS, Paris (FR)**

Villeroy & Boch Catalog, Magnum Bidet.
Super Rivella Bidet, ref. 1315/1433.

(**) **Term: 14 Years**

* cited by examiner

(21) **Appl. No.: 29/178,144**

Primary Examiner—Louis S. Zarfaz

(22) **Filed: Mar. 21, 2003**

Assistant Examiner—Robert A Delehanty

(51) **LOC (7) Cl. 25-02**

(74) *Attorney, Agent, or Firm*—Ladas & Parry

(52) **U.S. Cl. D23/295**

(57) **CLAIM**

(58) **Field of Search** D23/273–274,
D23/295, 301, 309, 313; 4/663–665, 300,
329, 353, 354, 420, 443, 444–446, 449,
460, 474, DIG. 15

The ornamental design for a bidet, as shown and described.

DESCRIPTION

(56) **References Cited**

FIG. 1 is a perspective view from the left side and above of the bidet showing my new design;
FIG. 2 is a top plan view thereof;
FIG. 3 is a left side elevational view thereof, the right side elevational view being a mirror image thereof; and,
FIG. 4 is a front elevational view thereof.

U.S. PATENT DOCUMENTS

538,168 A * 4/1895 Keeler D23/295
D275,515 S * 9/1984 Kaiser D23/295
D276,176 S * 10/1984 Kaiser D23/301
D278,078 S * 3/1985 Kaiser D23/295

1 Claim, 2 Drawing Sheets

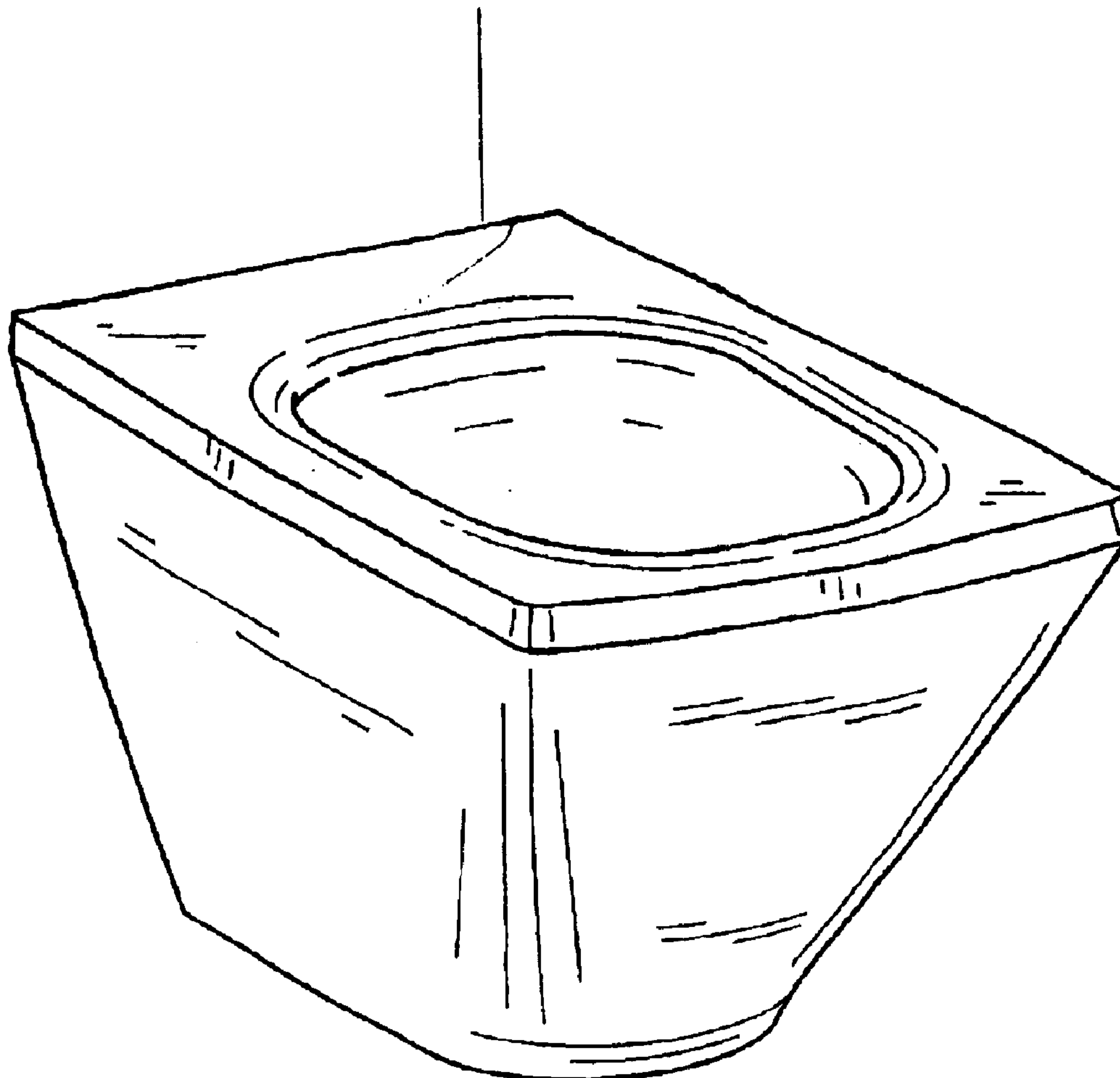


FIG. 1

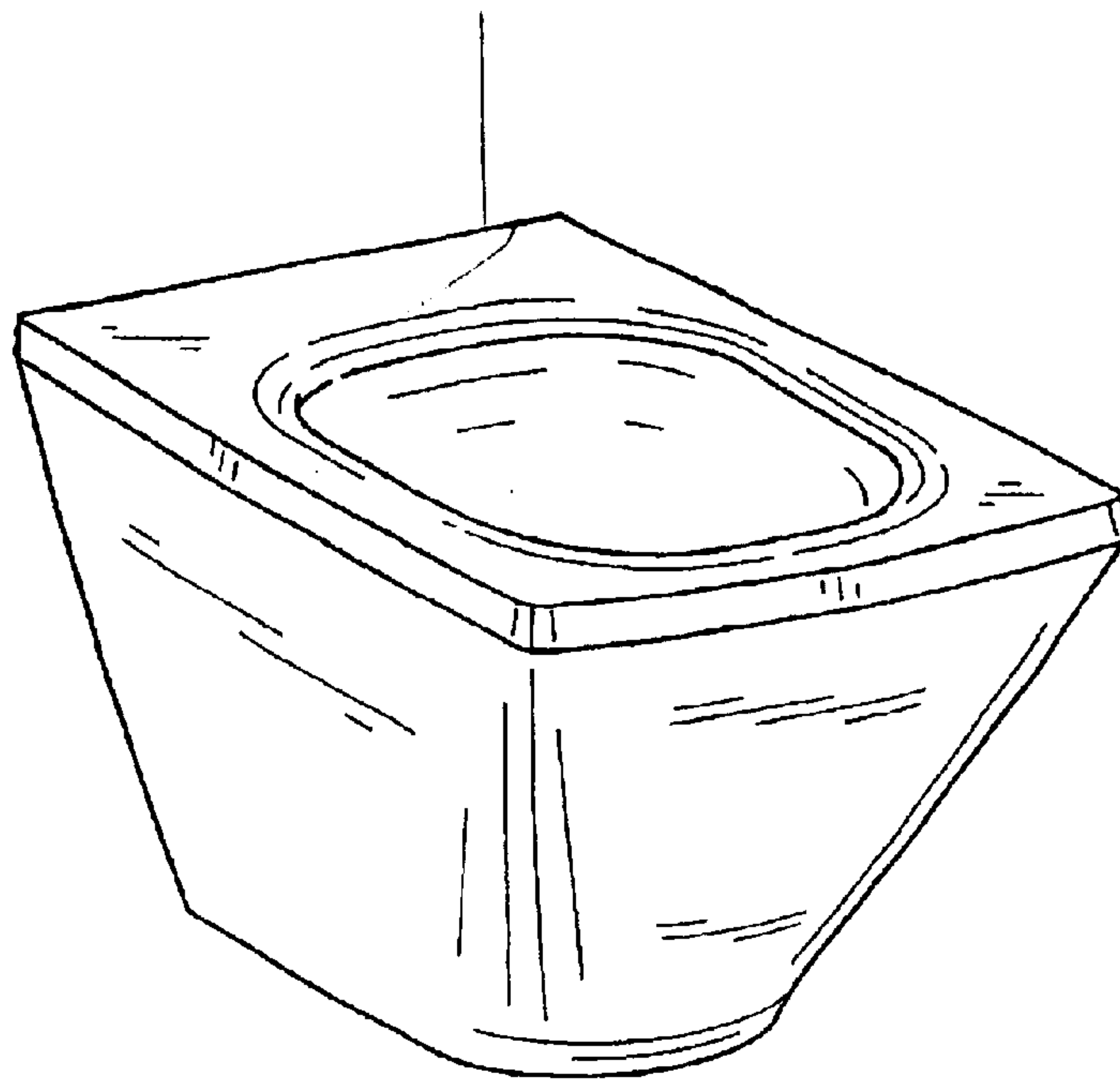


FIG. 2

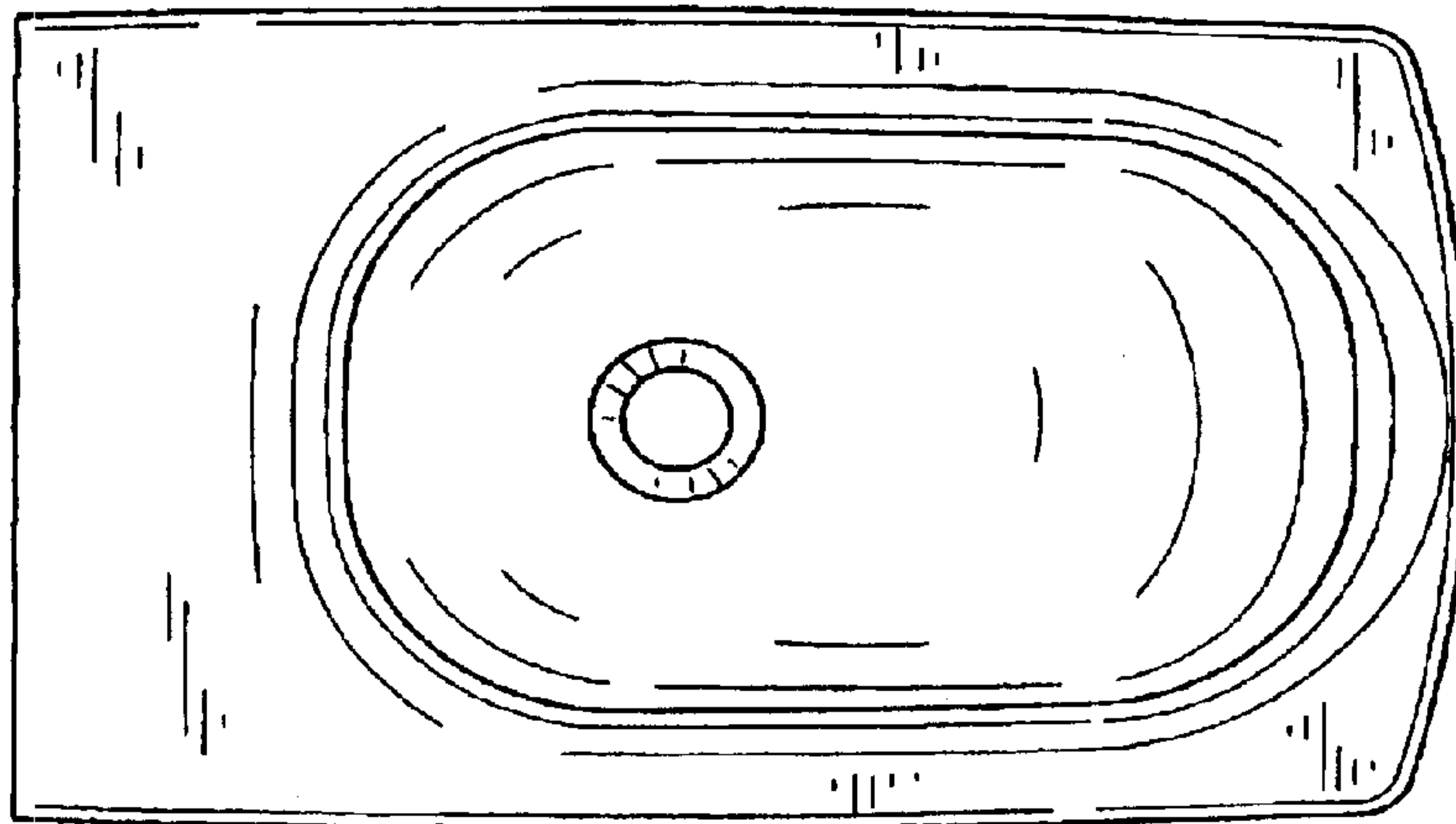


FIG. 3

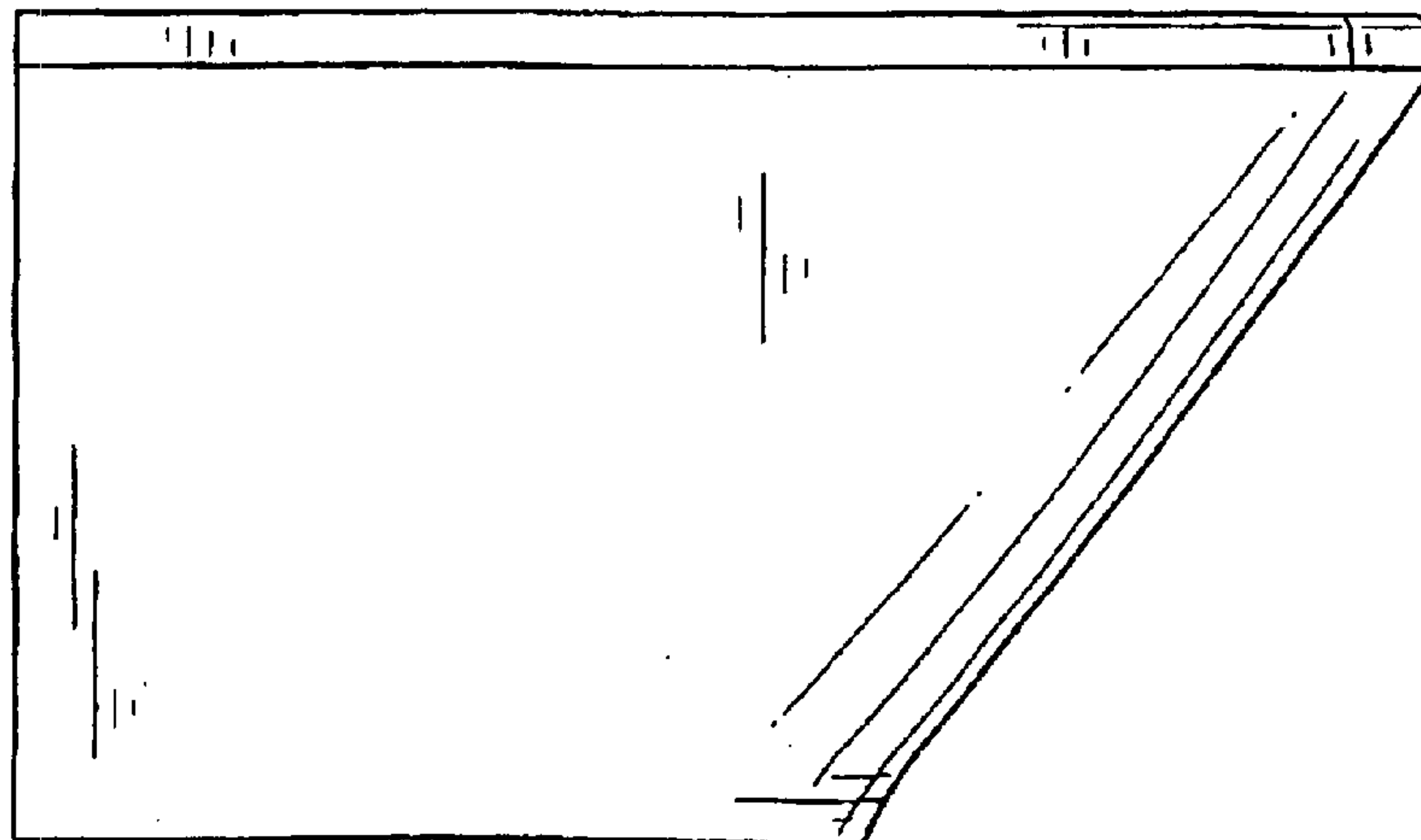


FIG. 4

