

US00D494666S1

(12) **United States Design Patent**  
**Kakihana**

(10) **Patent No.:** **US D494,666 S**

(45) **Date of Patent:** **\*\* Aug. 17, 2004**

(54) **SINK BOWL**

(75) **Inventor:** **Hajime Kakihana, Fukuoka (JP)**

(73) **Assignee:** **Toto Ltd., Fukuoka (JP)**

(\*\*) **Term:** **14 Years**

(21) **Appl. No.:** **29/189,355**

(22) **Filed:** **Sep. 4, 2003**

(30) **Foreign Application Priority Data**

Mar. 20, 2003 (JP) ..... 2003-007489

(51) **LOC (7) Cl.** ..... **23-02**

(52) **U.S. Cl.** ..... **D23/293.1**

(58) **Field of Search** ..... D23/271, 273,  
D23/284-287, 289-292, 293.1, 303, 308;  
4/663-665, 619, 661, 630-636, 645-646,  
648, 650-652, 638, 643

(56) **References Cited**

**U.S. PATENT DOCUMENTS**

D28,119 S \* 1/1898 Creque ..... D23/289

D211,524 S \* 6/1968 Plantholt ..... D23/293.1  
D396,271 S \* 7/1998 Garza ..... D23/292  
D433,109 S \* 10/2000 Wilke et al. .... D23/284  
D441,853 S \* 5/2001 Roberts ..... D23/293.1

\* cited by examiner

*Primary Examiner*—Robert A. Delehanty

(74) *Attorney, Agent, or Firm*—Birch, Stewart, Kolasch & Birch, LLP

(57) **CLAIM**

The ornamental design for a sink bowl, as shown and described.

**DESCRIPTION**

FIG. 1 is a front perspective view of a sink bowl showing my new design;

FIG. 2 is a top plan view thereof;

FIG. 3 is a bottom plan view thereof;

FIG. 4 is a front elevational view thereof;

FIG. 5 is a rear elevational thereof;

FIG. 6 is a left side elevational view thereof; and,

FIG. 7 is a right side elevational view thereof.

**1 Claim, 3 Drawing Sheets**

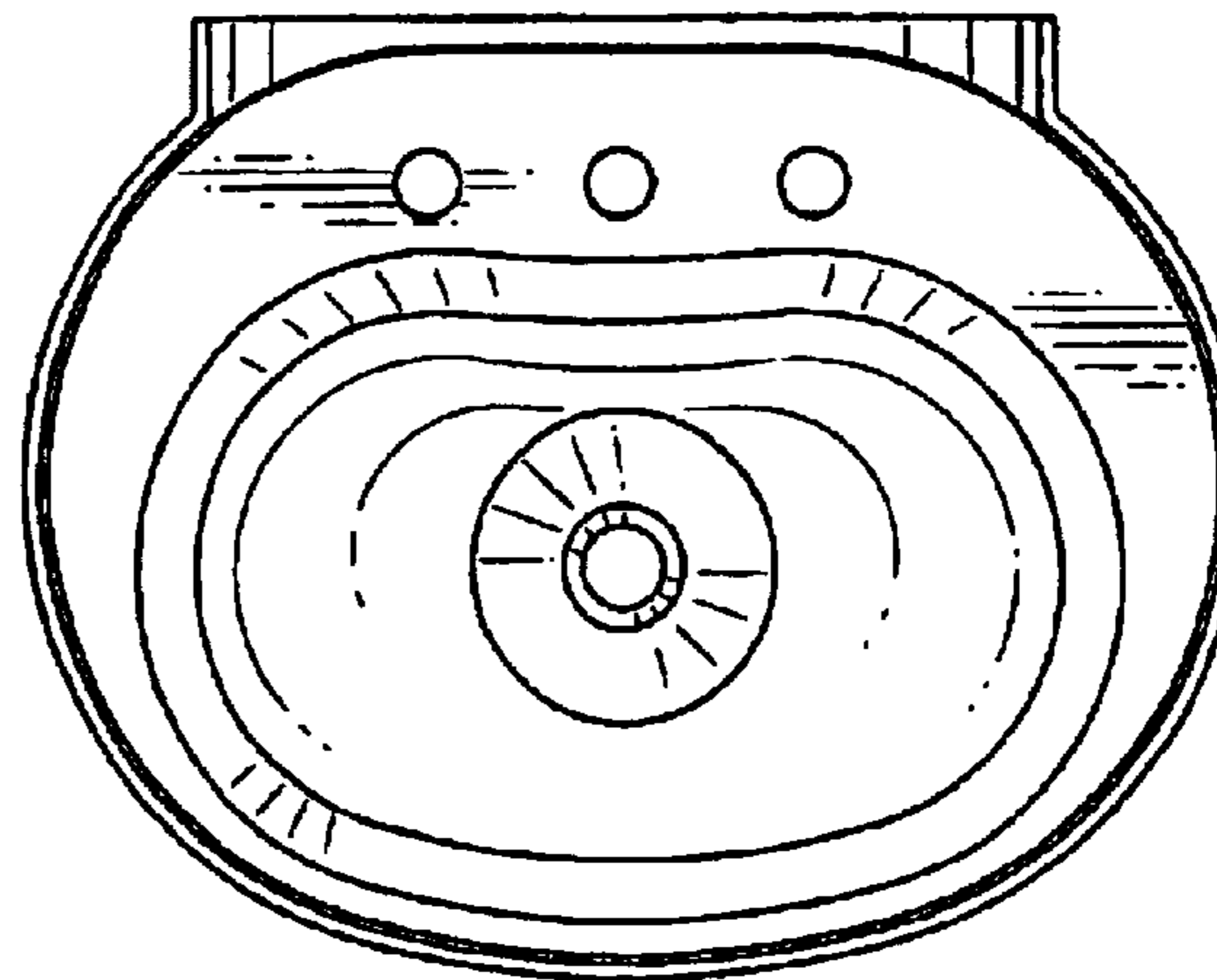
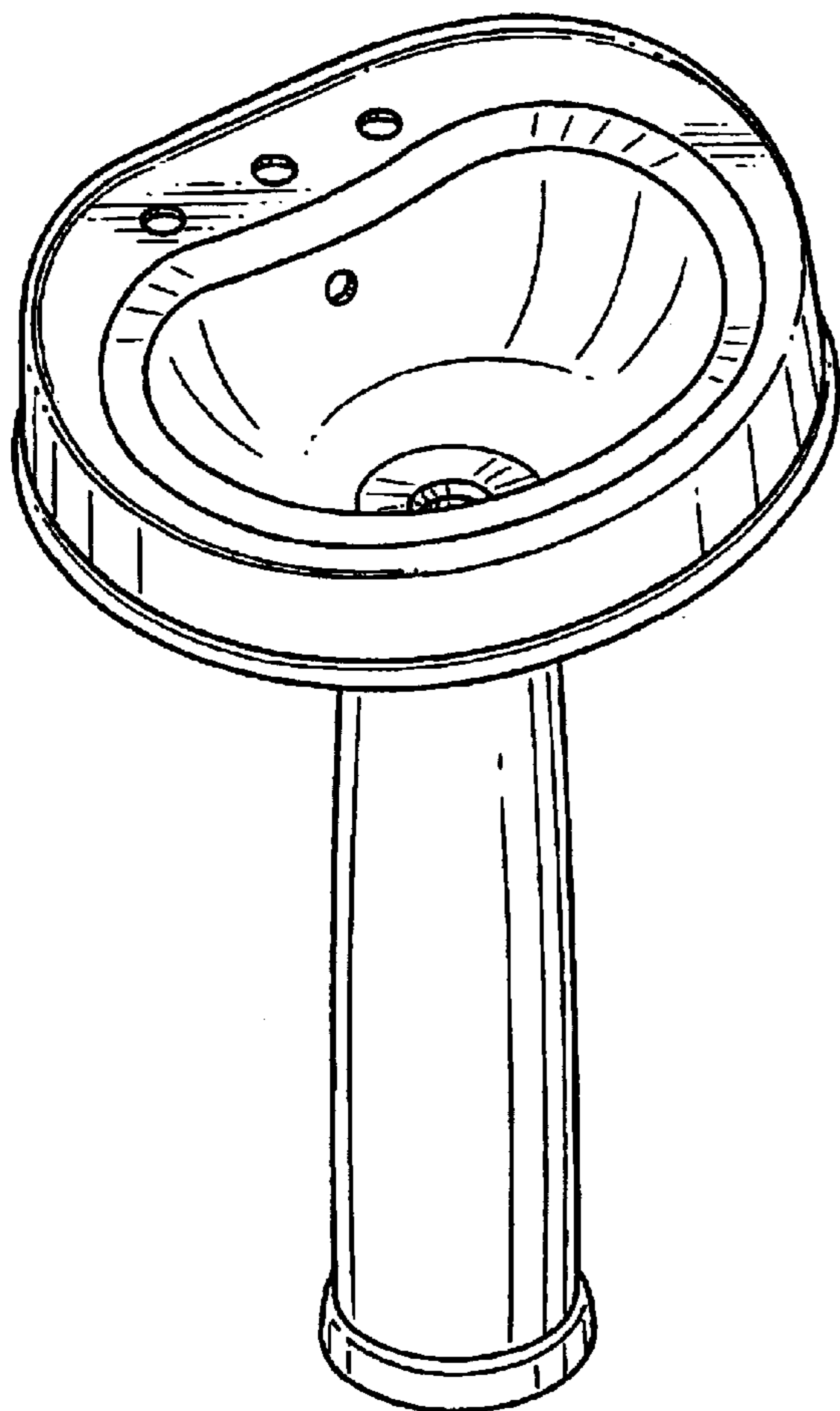


FIG. 2

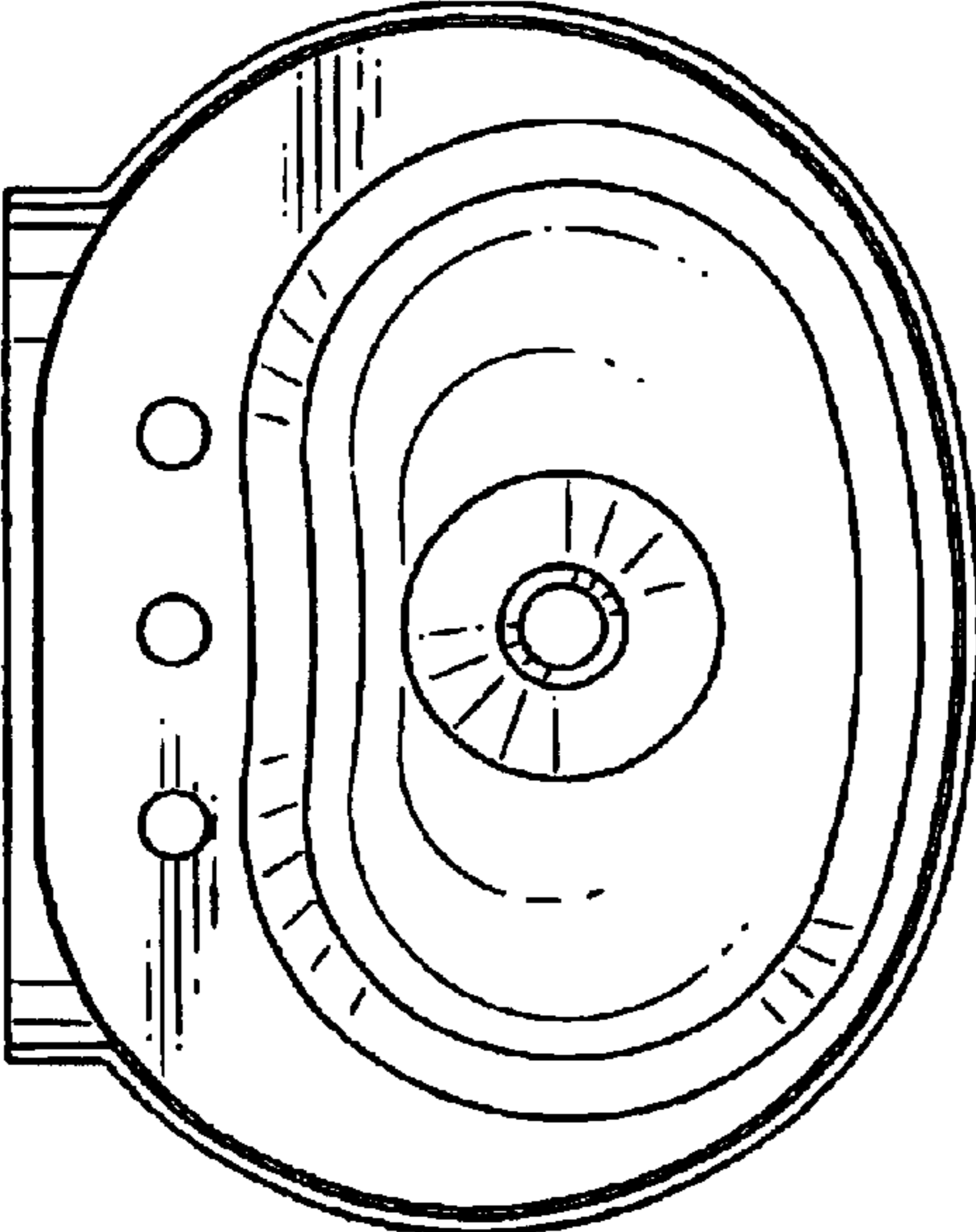


FIG. 3

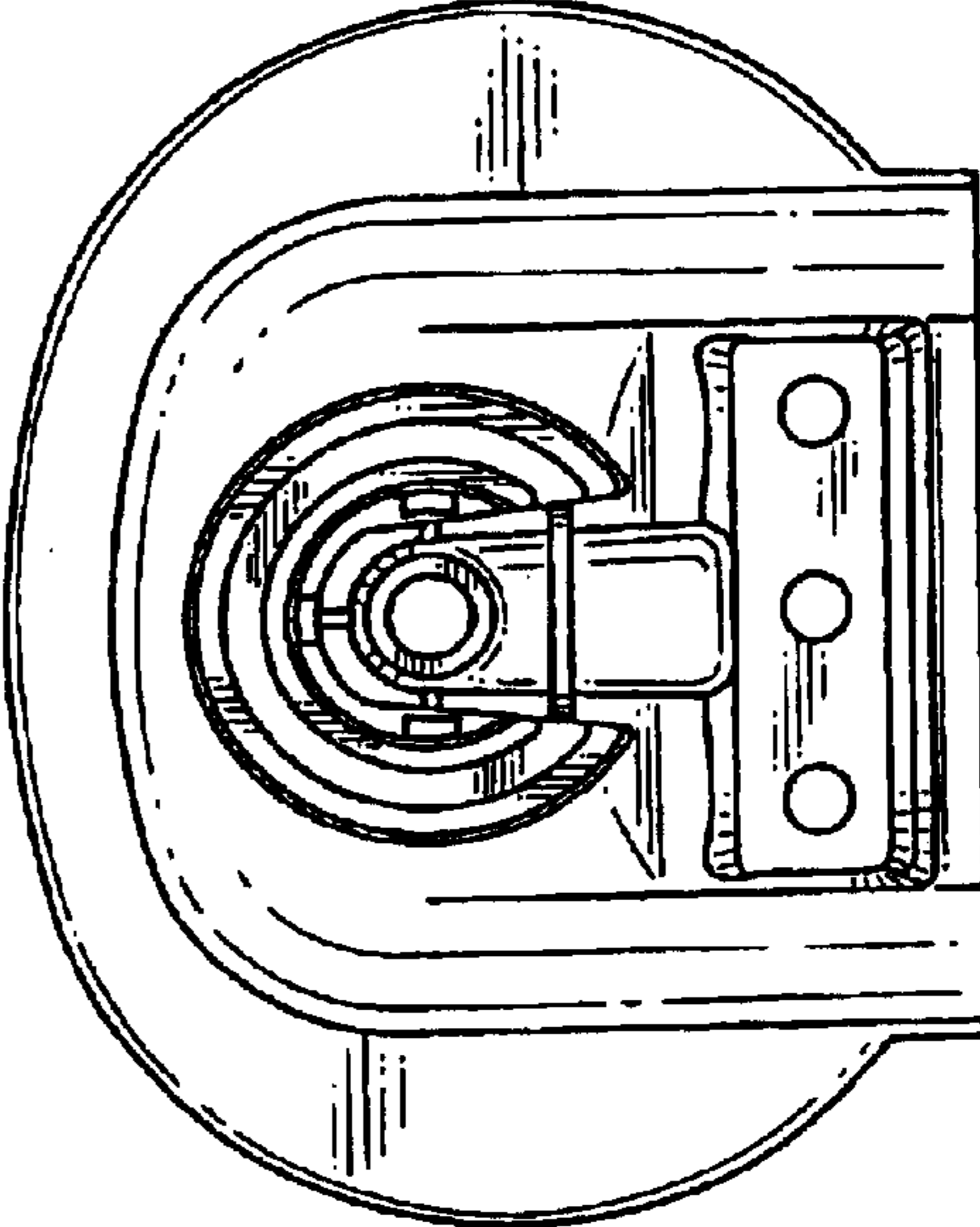


FIG. 1

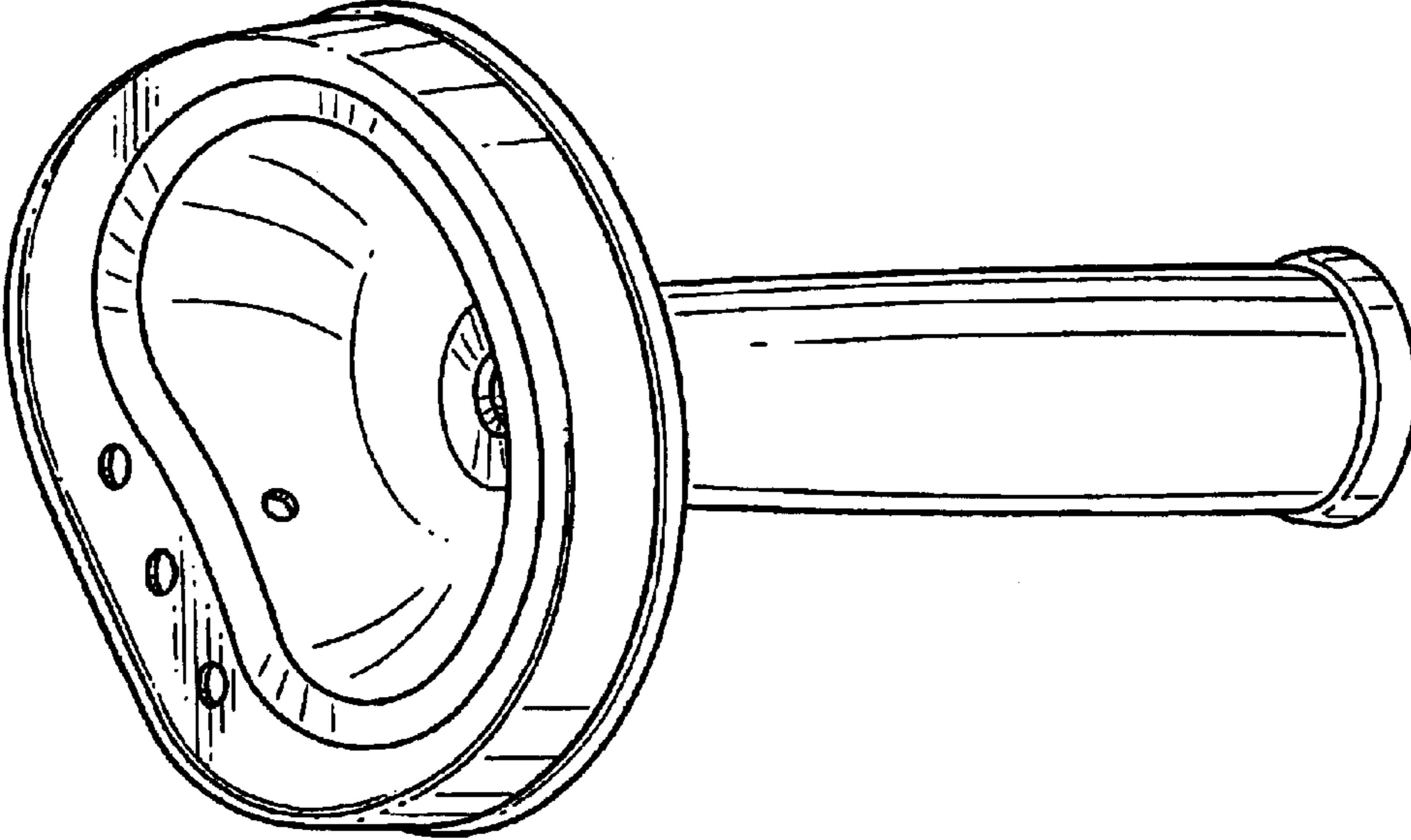


FIG. 4

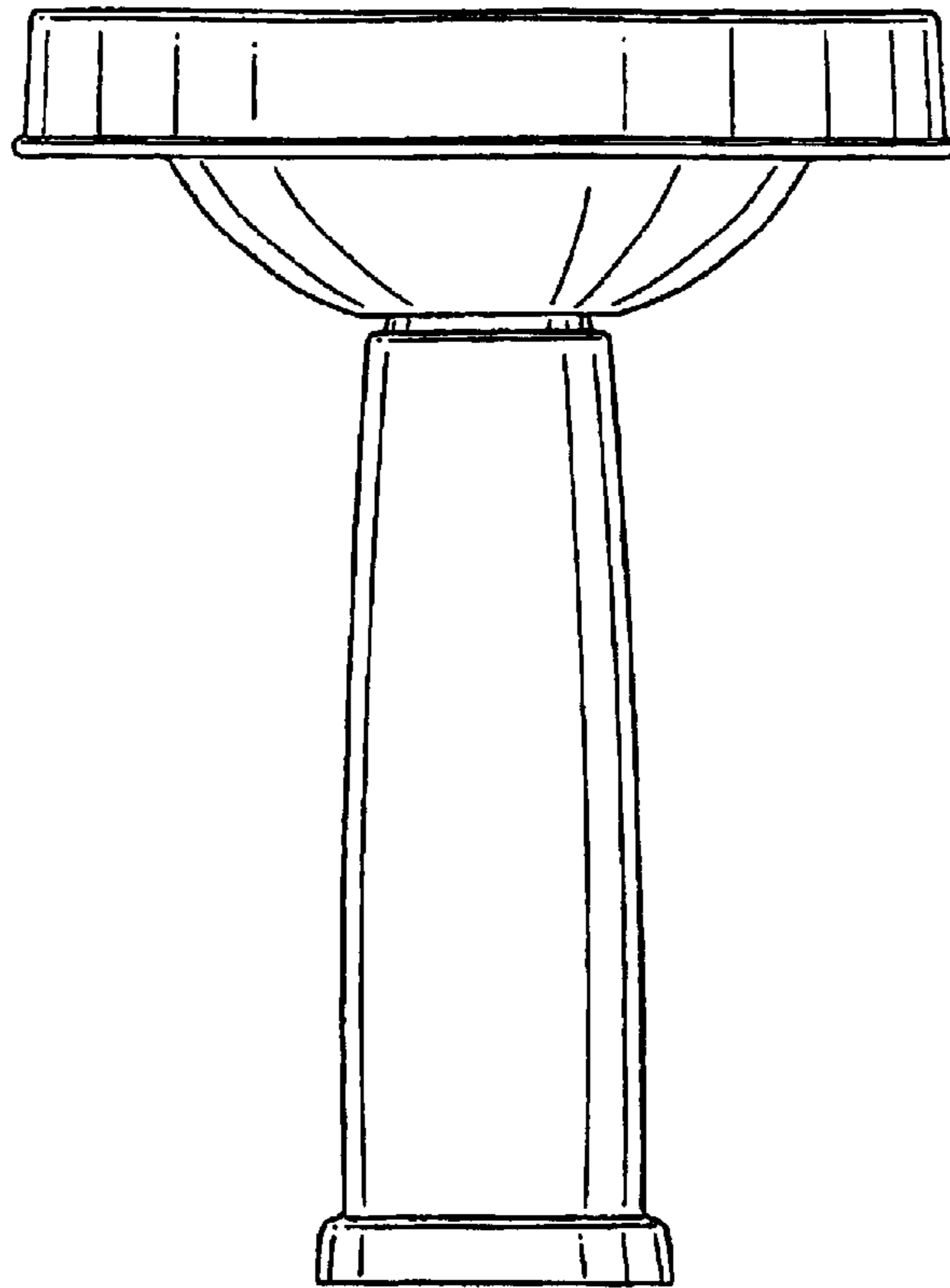


FIG. 5

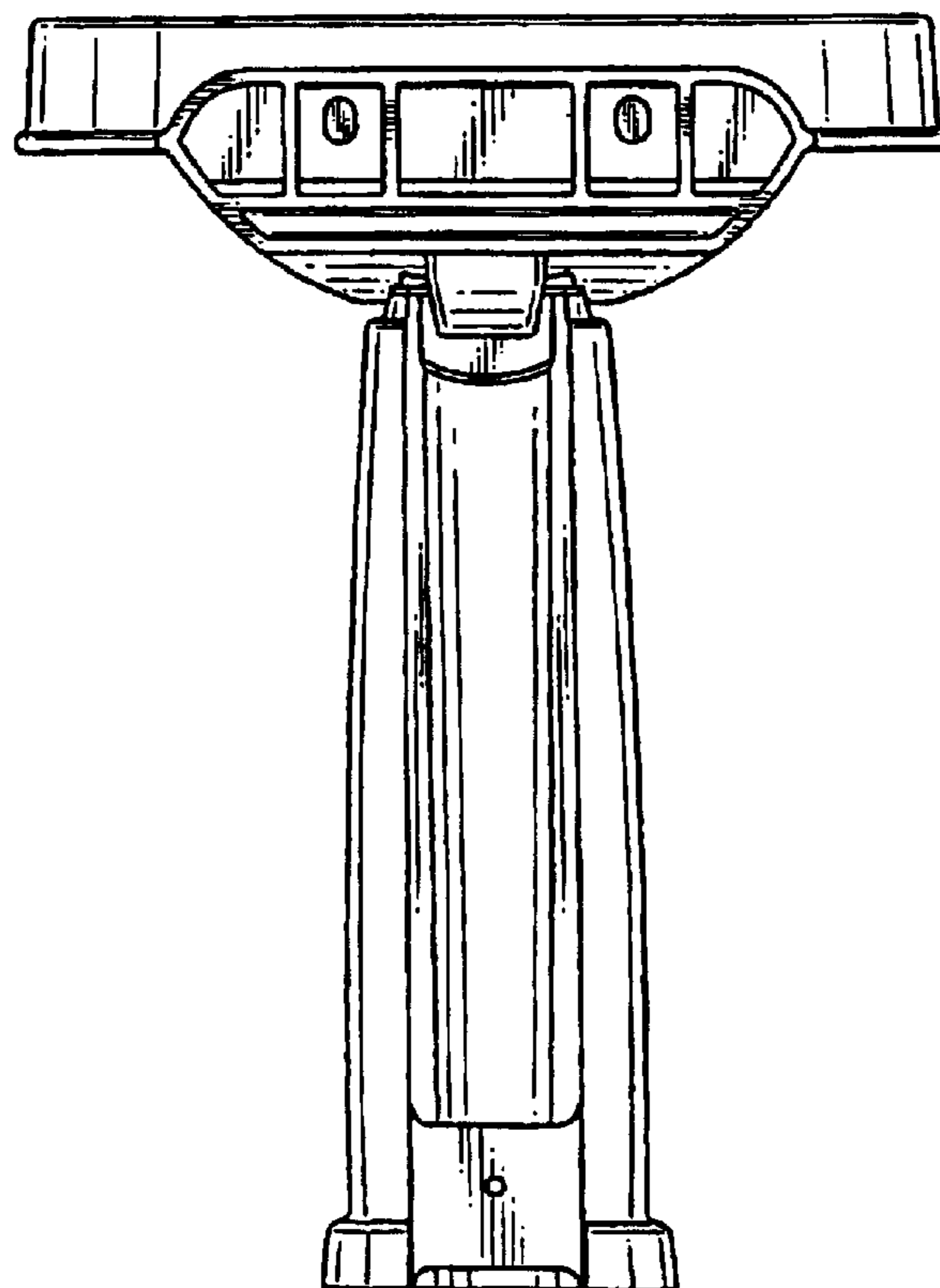


FIG. 6

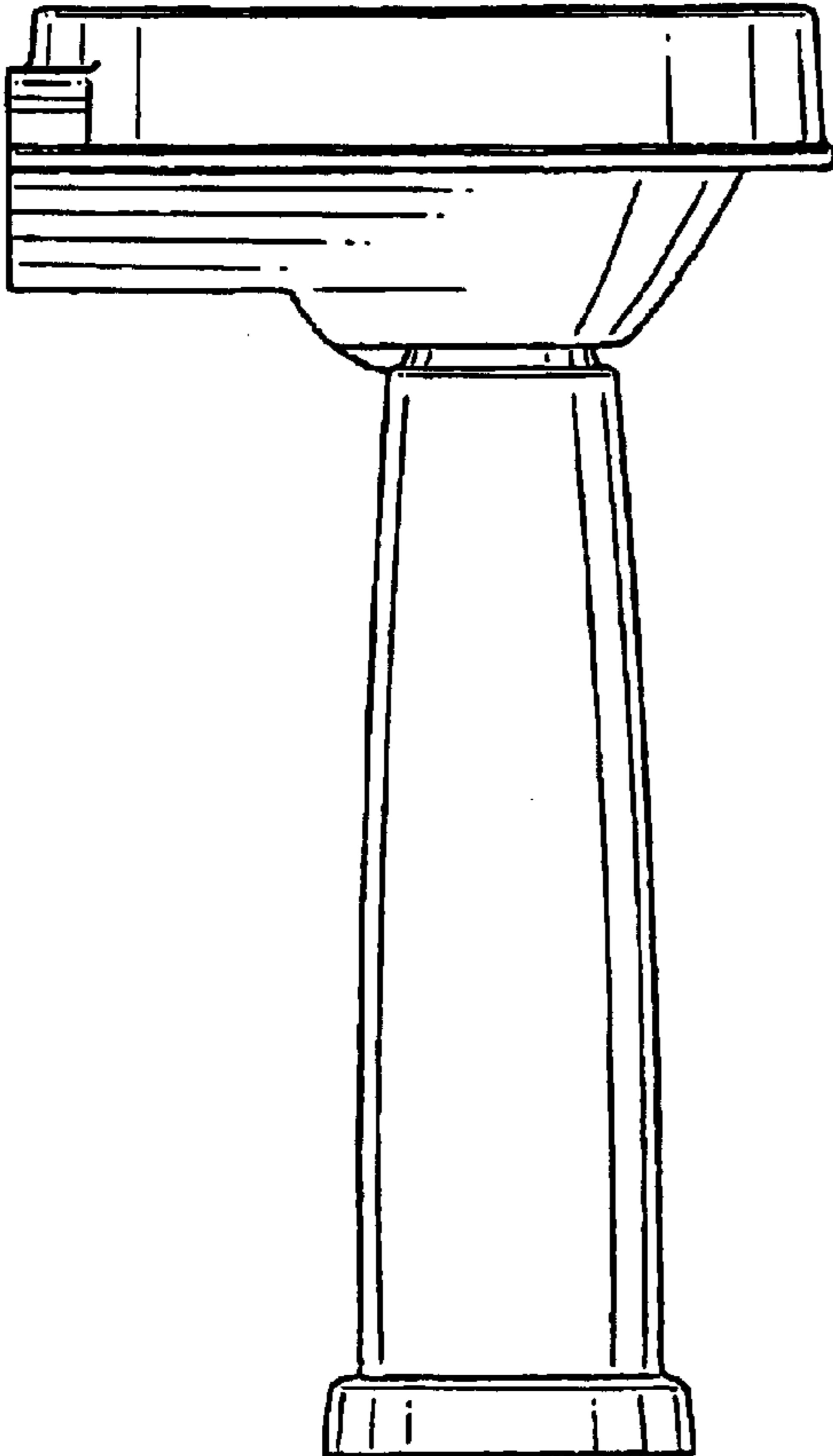


FIG. 7

