



US00D494665S1

(12) **United States Design Patent**  
**Herbeau**

(10) **Patent No.:** **US D494,665 S**

(45) **Date of Patent:** **\*\* Aug. 17, 2004**

(54) **FARMHOUSE SINK**

D358,457 S \* 5/1995 Dannenberg ..... D23/293.1  
D484,956 S \* 1/2004 Rachiele ..... D23/293.1

(75) **Inventor:** **Lionel Herbeau, Lille (FR)**

\* cited by examiner

(73) **Assignee:** **Herbeau Creations, Lille (FR)**

*Primary Examiner*—Robert A. Delehanty

(\*\*) **Term:** **14 Years**

(74) *Attorney, Agent, or Firm*—Harrison & Egbert

(21) **Appl. No.:** **29/186,175**

(57) **CLAIM**

(22) **Filed:** **Jul. 11, 2003**

The ornamental design for a farmhouse sink, as shown and described.

(51) **LOC (7) Cl.** ..... **23-02**

**DESCRIPTION**

(52) **U.S. Cl.** ..... **D23/293.1**

FIG. 1 is an upper perspective view of the farmhouse sink showing my design.

(58) **Field of Search** ..... D23/271, 273,  
D23/284–287, 289–292, 293.1, 303, 308;  
4/663–665, 619, 661, 630–636, 645–646,  
648, 650–652, 638, 643

FIG. 2 is a side view thereof, wherein an opposite side view is a mirror image thereof;

FIG. 3 is front elevation view thereof;

FIG. 4 is a back elevation view thereof;

FIG. 5 is a top plan view thereof; and,

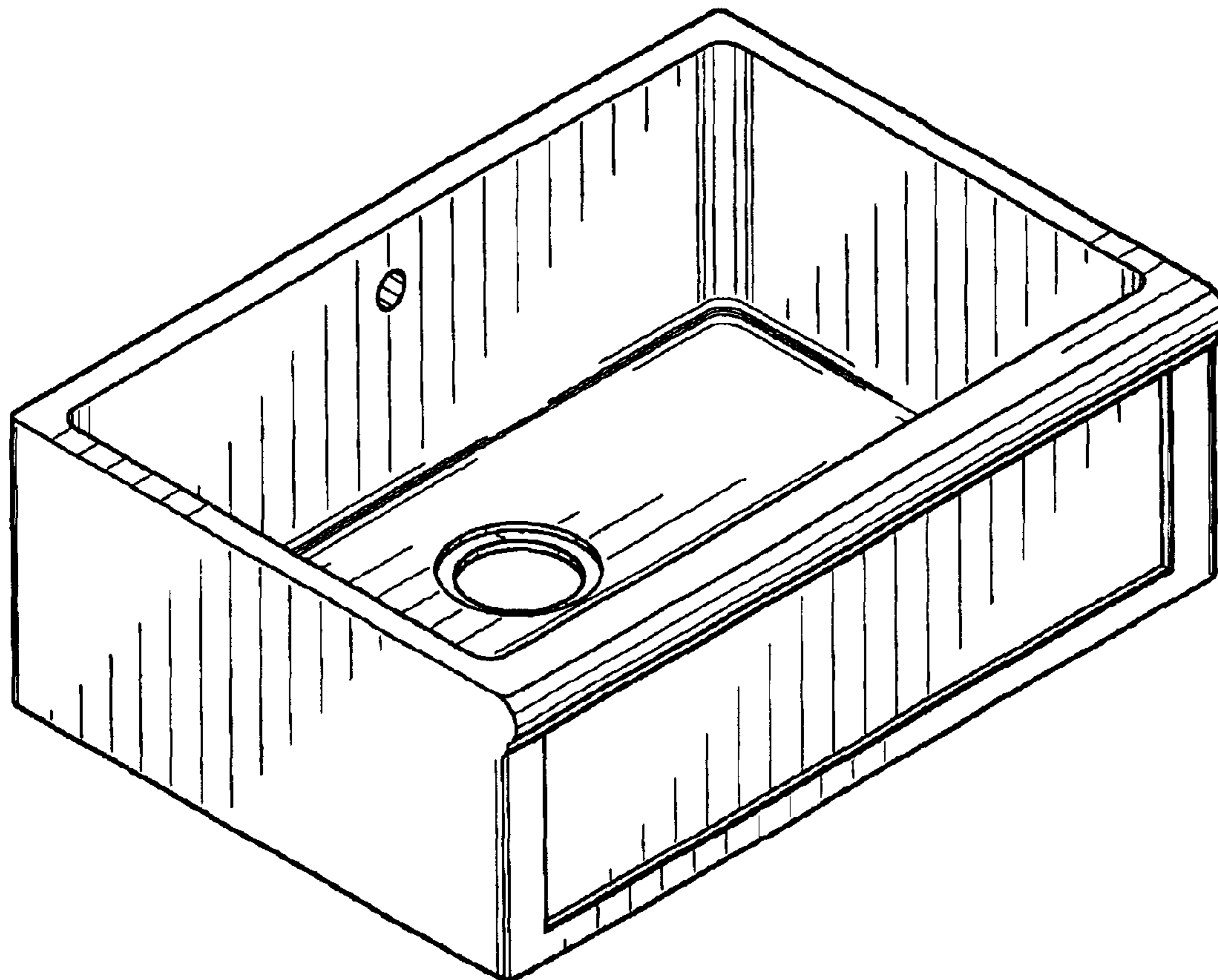
FIG. 6 is a bottom plan view thereof.

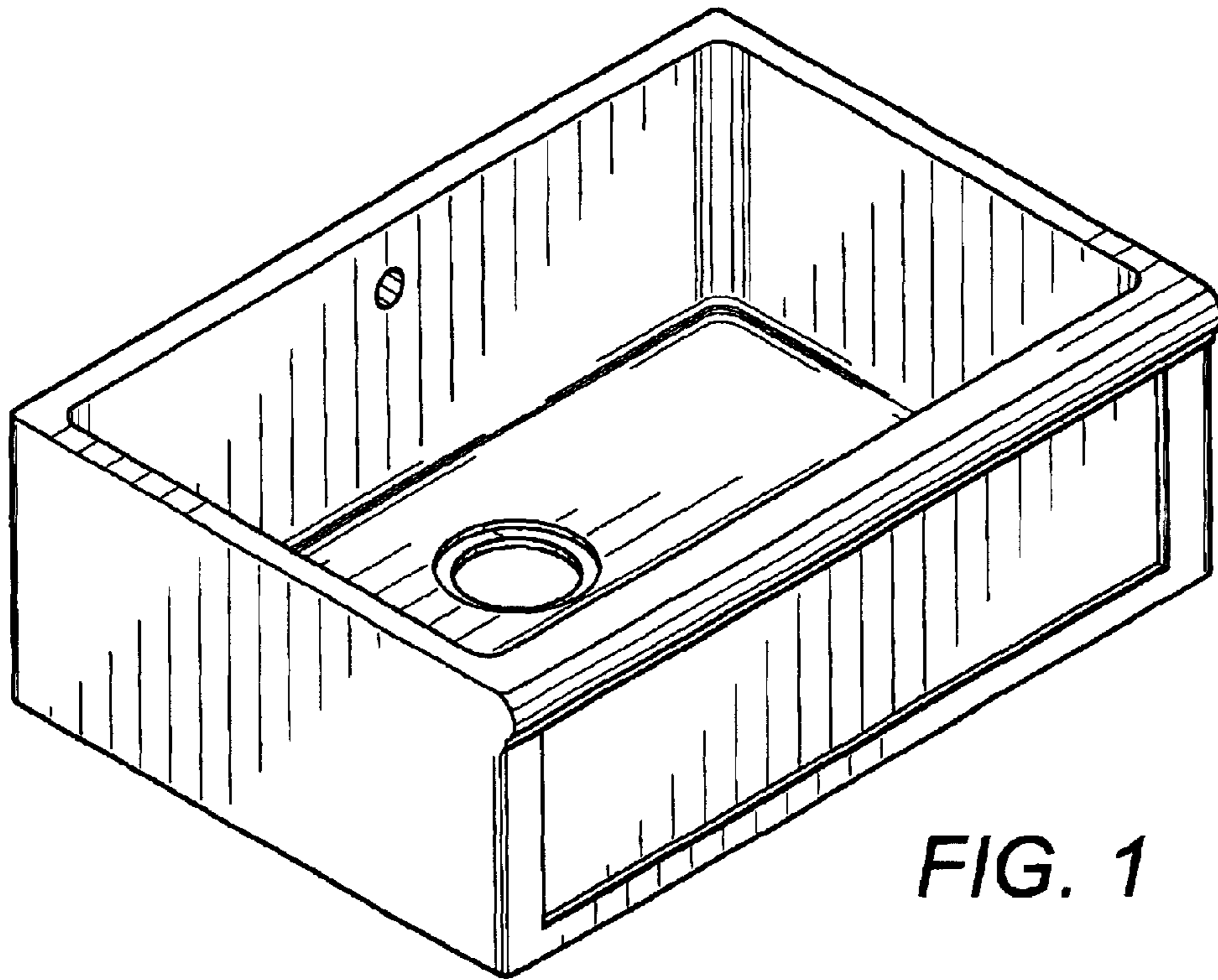
(56) **References Cited**

**U.S. PATENT DOCUMENTS**

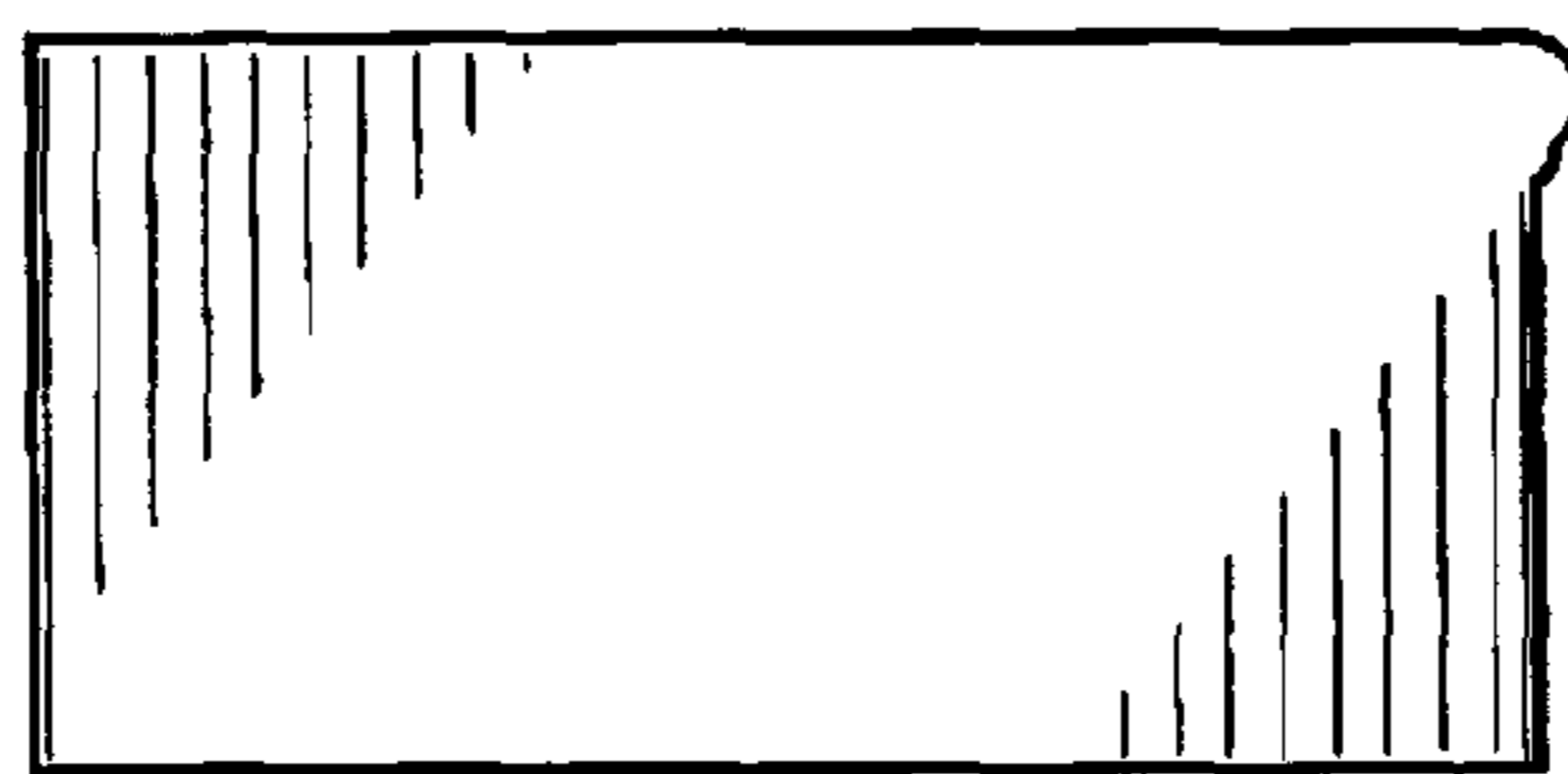
D353,652 S \* 12/1994 Dannenberg ..... D23/293.1

**1 Claim, 2 Drawing Sheets**

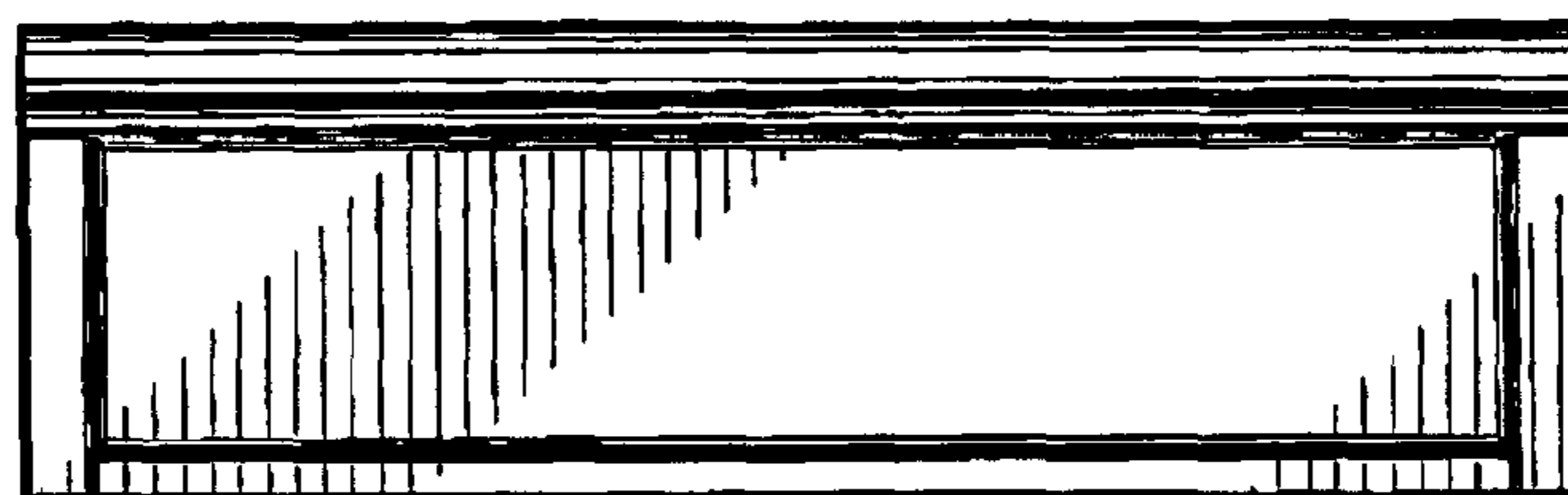




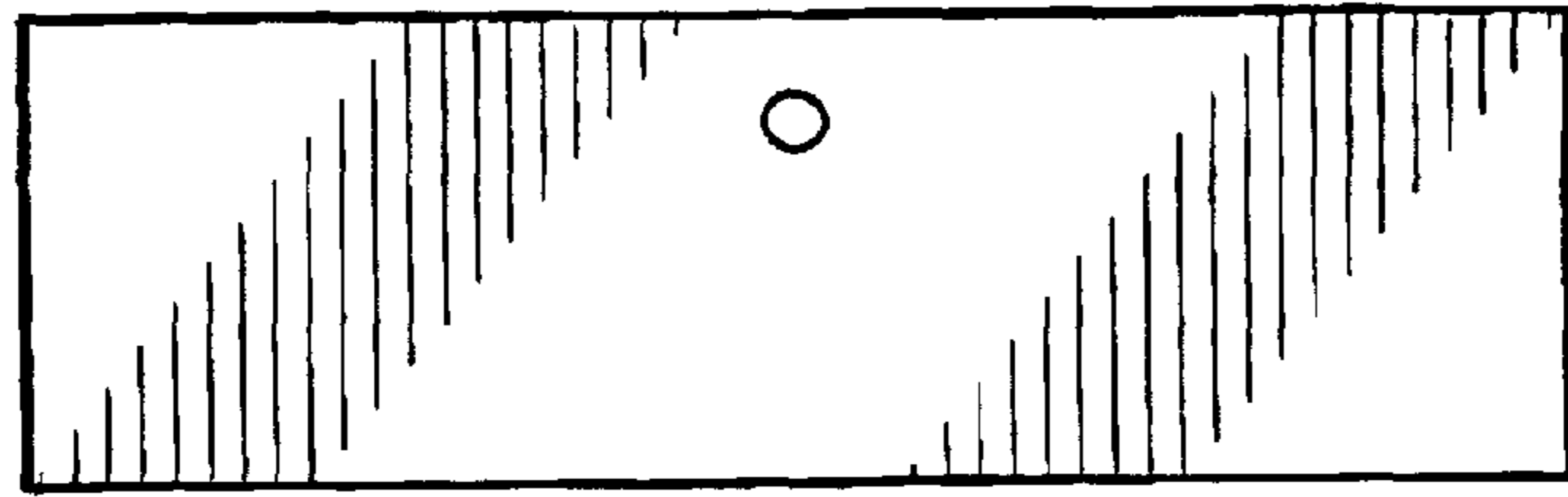
*FIG. 1*



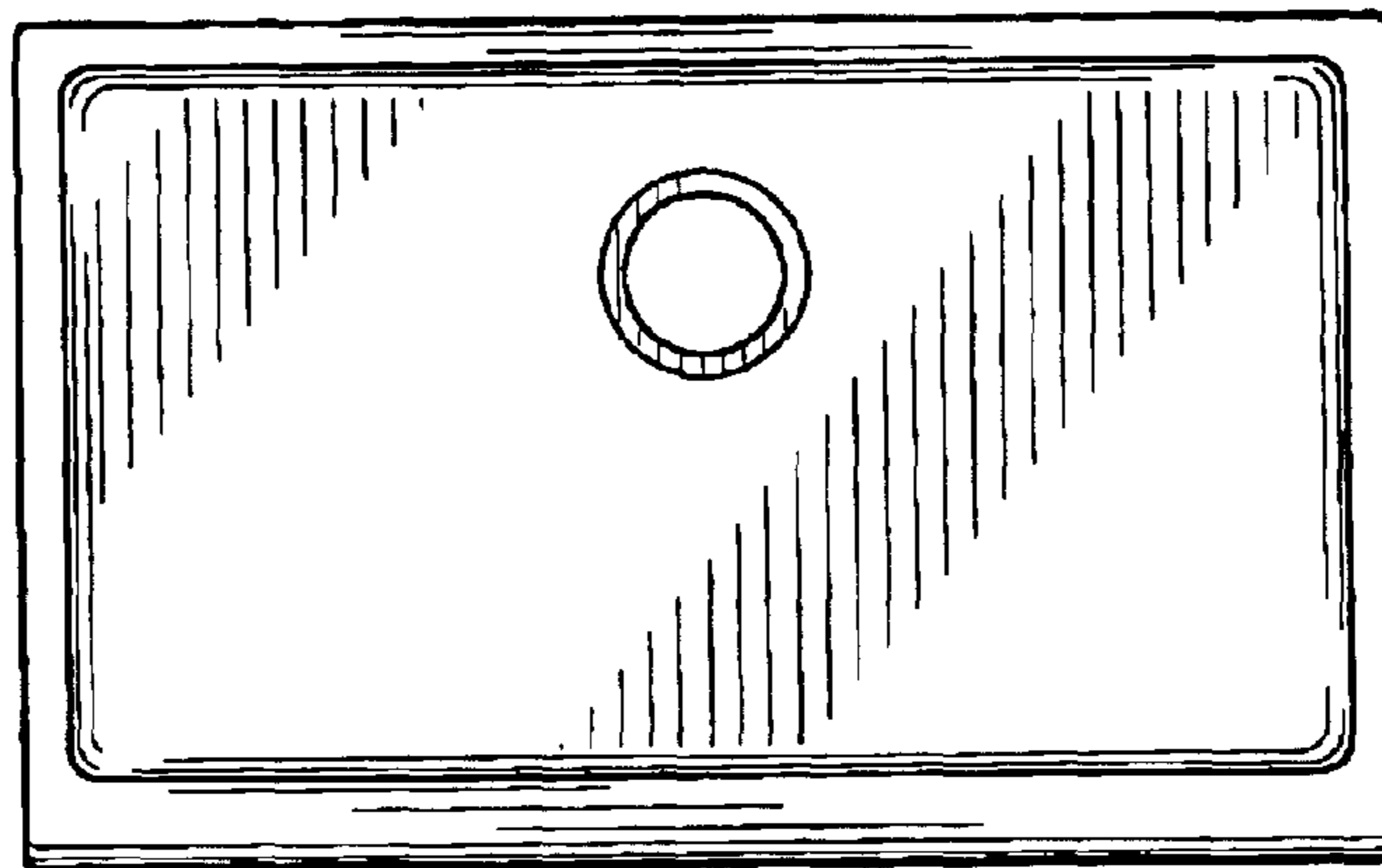
*FIG. 2*



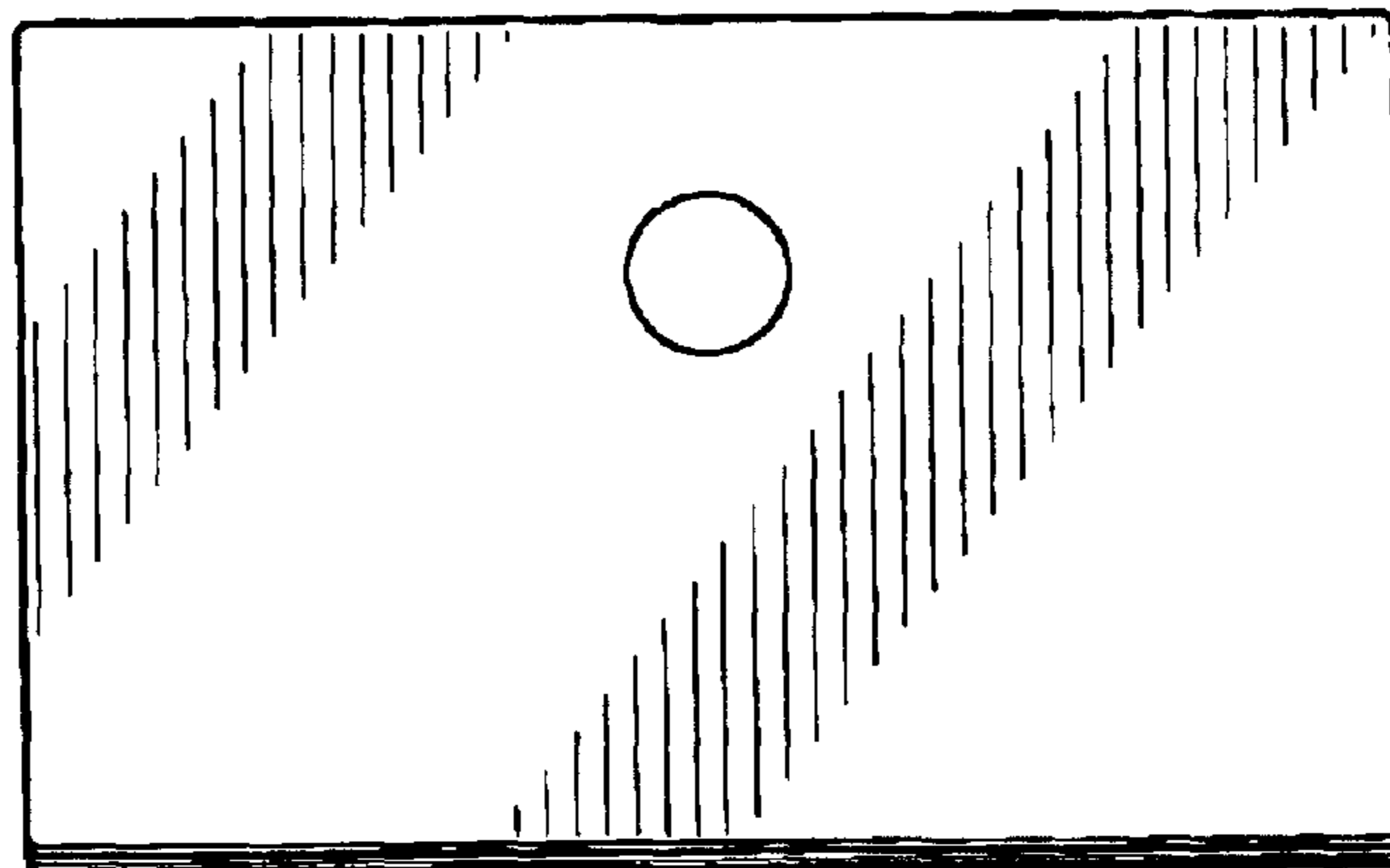
*FIG. 3*



**FIG. 4**



**FIG. 5**



**FIG. 6**