

US00D494664S1

(12) **United States Design Patent**
Arnold

(10) **Patent No.:** **US D494,664 S**

(45) **Date of Patent:** **** Aug. 17, 2004**

(54) **SINGLE-BOWL SINK**

(75) **Inventor:** **Don C. Arnold**, Libertyville, IL (US)

(73) **Assignee:** **Franke Consumer Products, Inc.**,
Hatfield, PA (US)

(**) **Term:** **14 Years**

(21) **Appl. No.:** **29/184,064**

(22) **Filed:** **Nov. 12, 2003**

(51) **LOC (7) Cl.** **23-02**

(52) **U.S. Cl.** **D23/293.1**

(58) **Field of Search** D23/271, 273,
D23/284-287, 293.1, 303, 308, 289-292;
4/630-642, 661, 663-665, 650-652

(56) **References Cited**

U.S. PATENT DOCUMENTS

2,539,464 A	1/1951	Norquist
2,584,860 A	2/1952	Galley
D234,427 S	3/1975	Stairs, Jr.
D326,902 S	6/1992	Bonnell
D353,878 S	12/1994	Hauser, II
D354,119 S	1/1995	Hauser, II
D355,949 S	2/1995	Laughton
D380,529 S	7/1997	Laughton
D382,332 S	8/1997	Schwartz
D393,057 S	3/1998	Gardner et al.
D398,706 S	9/1998	Gardner et al.

D423,652 S	4/2000	Kolada	
D426,288 S	6/2000	Kolada	
D429,319 S	8/2000	Kolada	
D464,123 S	10/2002	Paredes et al.	
D464,124 S	10/2002	Paredes et al.	
D464,411 S	10/2002	Bayer et al.	
D471,263 S	* 3/2003	Bayer et al. D23/293.1

* cited by examiner

Primary Examiner—Robert A. Delehanty

(74) *Attorney, Agent, or Firm*—Wood, Phillips, Katz, Clark & Mortimer

(57) **CLAIM**

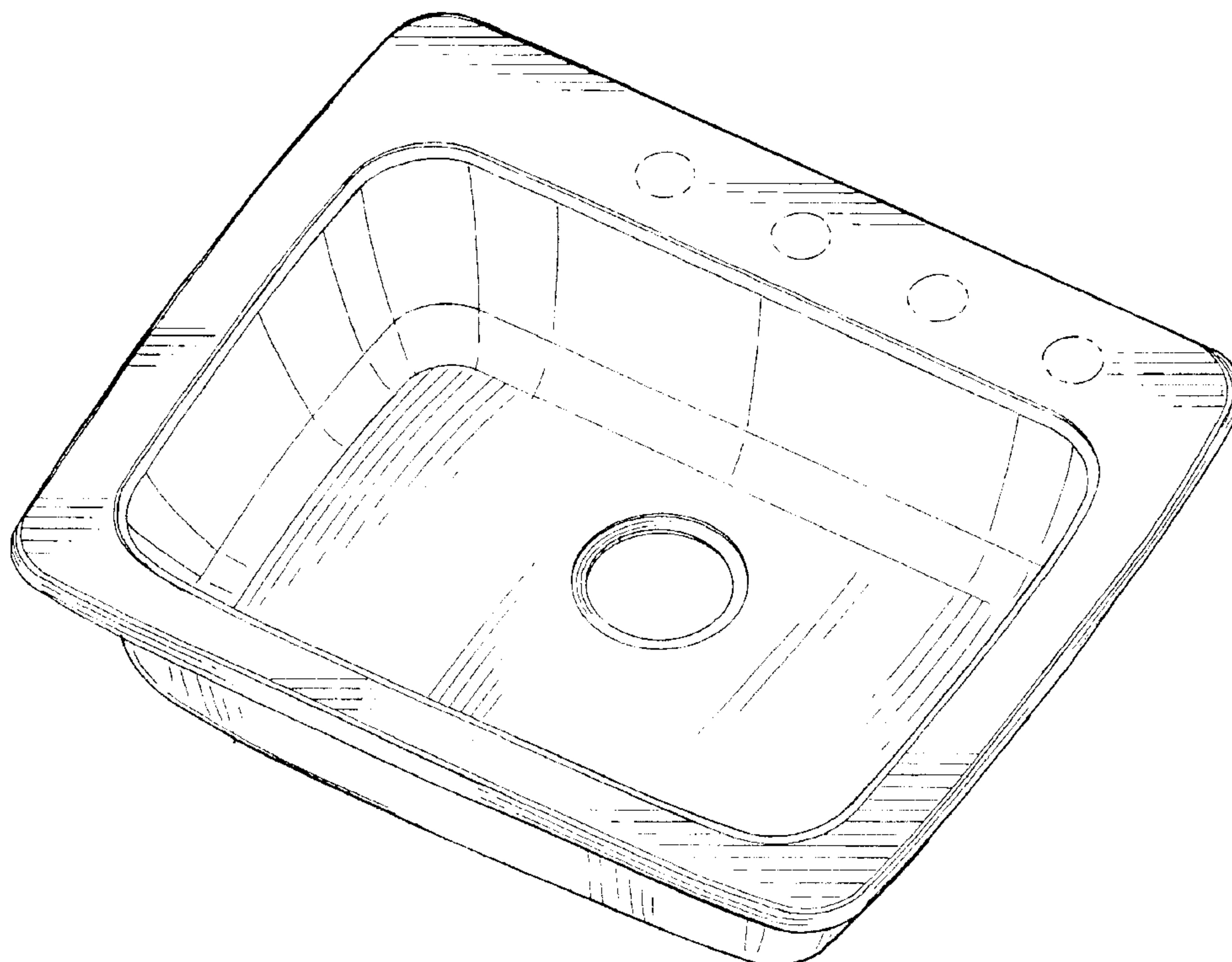
The ornamental design for a single-bowl sink, as shown and described.

DESCRIPTION

FIG. 1 is a perspective view taken from the top, front, and right side of a single-bowl sink showing my new design; FIG. 2 is a top plan thereof, FIG. 3 is a front elevation thereof; and, FIG. 4 is an elevation of the right side thereof, the left side thereof being a mirror image thereof.

The undersigned of the sink shown in the accompanying drawings is not ornamental. The broken-line showing of an opening for mounting of a faucet, spray nozzle, or other fitting is for illustrative purposes only and form no part of my claimed design.

1 Claim, 2 Drawing Sheets



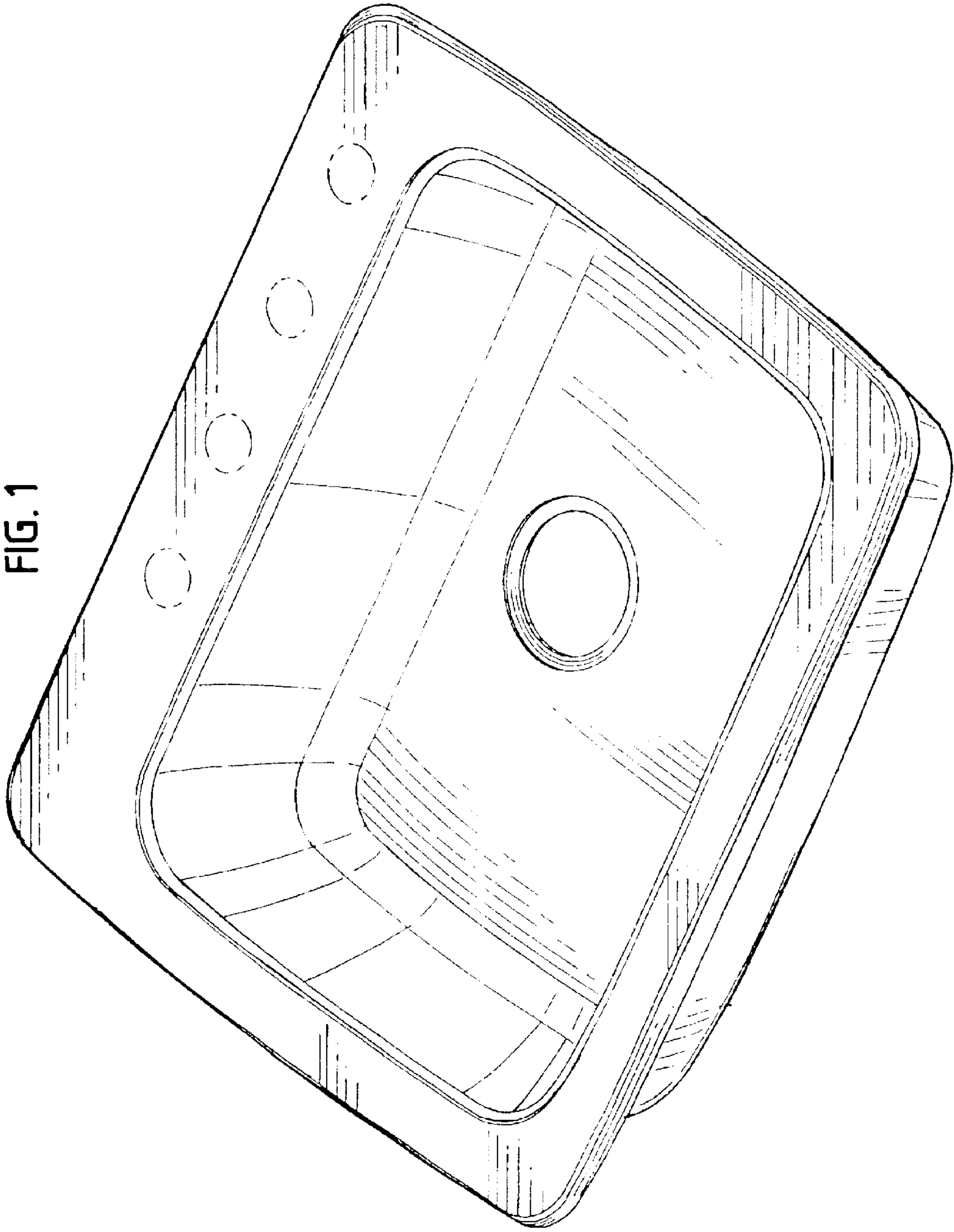


FIG. 1

FIG. 2

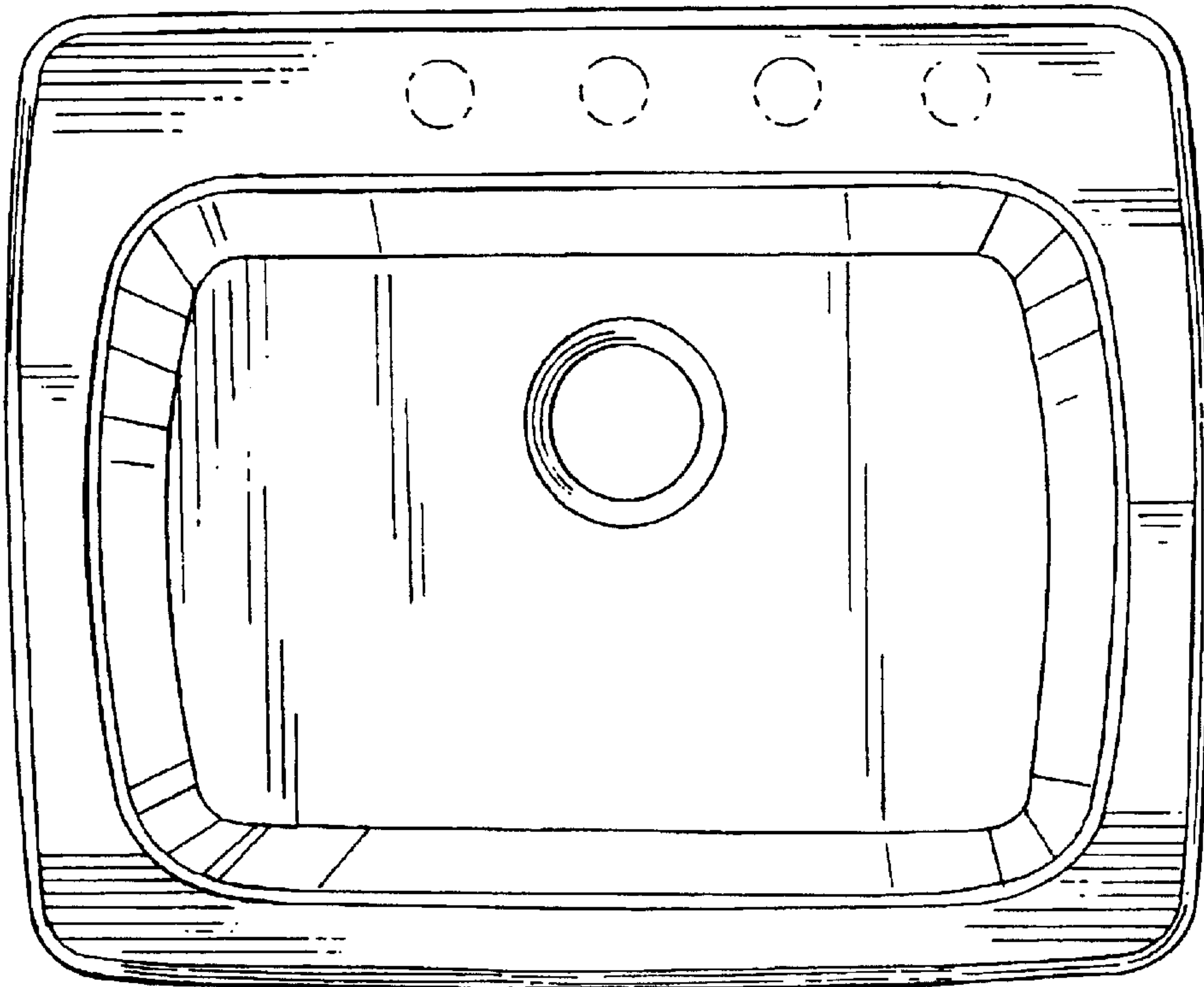


FIG. 3

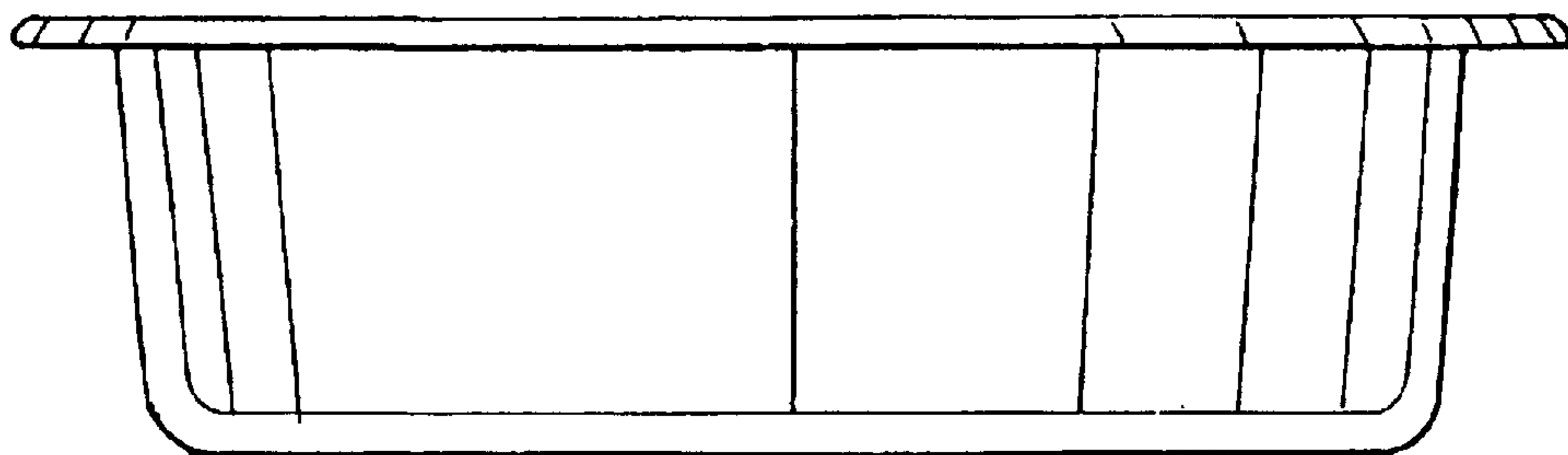


FIG. 4

