

US00D494662S1

(12) **United States Design Patent**  
**Traut et al.**

(10) **Patent No.:** **US D494,662 S**

(45) **Date of Patent:** **\*\* Aug. 17, 2004**

(54) **VENT FOR SEPTIC SYSTEM**

(76) Inventors: **William M. Traut**, 336 East St., Sharon, MA (US) 02067; **Stanley J. Sreda**, 10 Mansfield St., Sharon, MA (US) 02067

(\*\*) **Term:** **14 Years**

(21) **Appl. No.:** **29/165,569**

(22) **Filed:** **Aug. 14, 2002**

(51) **LOC (7) Cl.** ..... **23-01**

(52) **U.S. Cl.** ..... **D23/260**

(58) **Field of Search** ..... D23/260, 393; 4/216, 219; D30/123; 119/69.5; 55/385.4

(56) **References Cited**

**U.S. PATENT DOCUMENTS**

755,254	A	*	1/1904	Struhs	.....	4/219
D171,020	S		12/1953	Anderson		
3,084,666	A	*	4/1963	Plaisance	.....	119/69.5
3,648,659	A	*	3/1972	Jones	.....	119/69.5
4,439,323	A		3/1984	Ball		
5,413,706	A		5/1995	Graves		
5,816,288	A	*	10/1998	Zelch	.....	55/385.4
5,966,868	A	*	10/1999	Cox	.....	119/69.5
6,027,084	A	*	2/2000	Dressler	.....	119/69.5
6,237,279	B1		5/2001	Smith		
6,248,411	B1		6/2001	Warfel		

**OTHER PUBLICATIONS**

Airex Corporation, Specialty Filters, undated, 1 page.

Orenco Systems, 3" and 4" Carbon Filters, 2/01, 2 pages undated.

\* cited by examiner

*Primary Examiner*—Robin V. Taylor

(74) *Attorney, Agent, or Firm*—William A. Bonk, III; Shoemaker & Mattare

(57) **CLAIM**

The ornamental design for a vent for septic system, as shown and described.

**DESCRIPTION**

FIG. 1 is a side elevational view of a vent for septic system according to the invention, all sides each having a similar appearance, including a filter retainer and foliage ornamentation illustrated with broken lines showing an environment for the claimed design for illustrative purposes only and forming no part of the claimed design;

FIG. 2 is an exploded side, bottom perspective view thereof; FIG. 3 is a cross sectional detail view of thereof, including a portion of a septic system gas vent pipe and landscape illustrated with broken lines showing an environment for the claimed design for illustrative purposes only and forming no part of the claimed design;

FIG. 4 is an exploded view thereof;

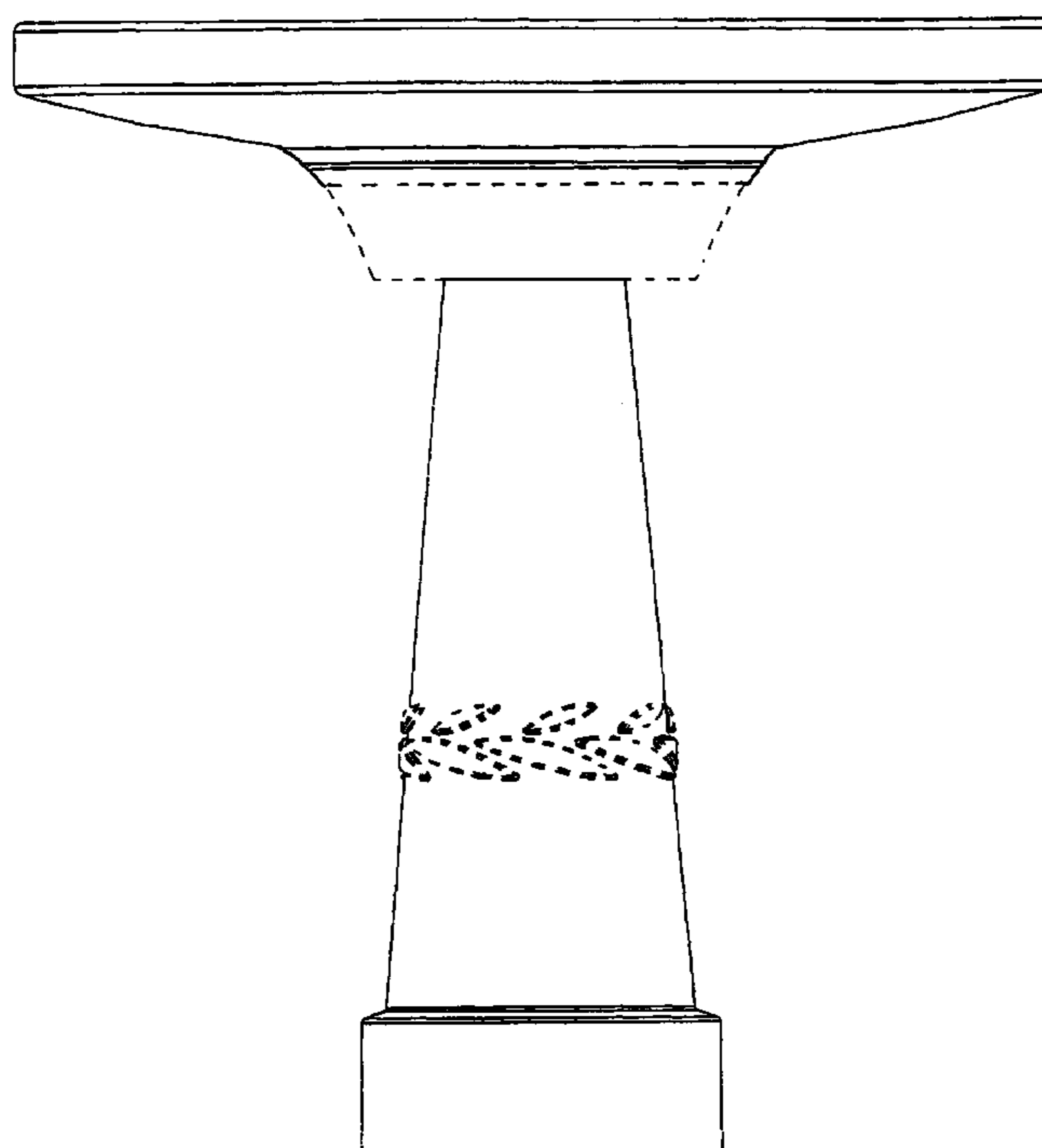
FIG. 5 is a cross sectional detail view of another embodiment of a vent for septic system according to the invention, all sides each having a similar appearance, including a filter retainer illustrated with broken lines showing an environment for the claimed design for illustrative purposes only and forming no part of the claimed design;

FIG. 6 is an exploded view thereof;

FIG. 7 is an exploded side, bottom perspective view thereof; and,

FIG. 8 is a side elevational view thereof.

**1 Claim, 8 Drawing Sheets**



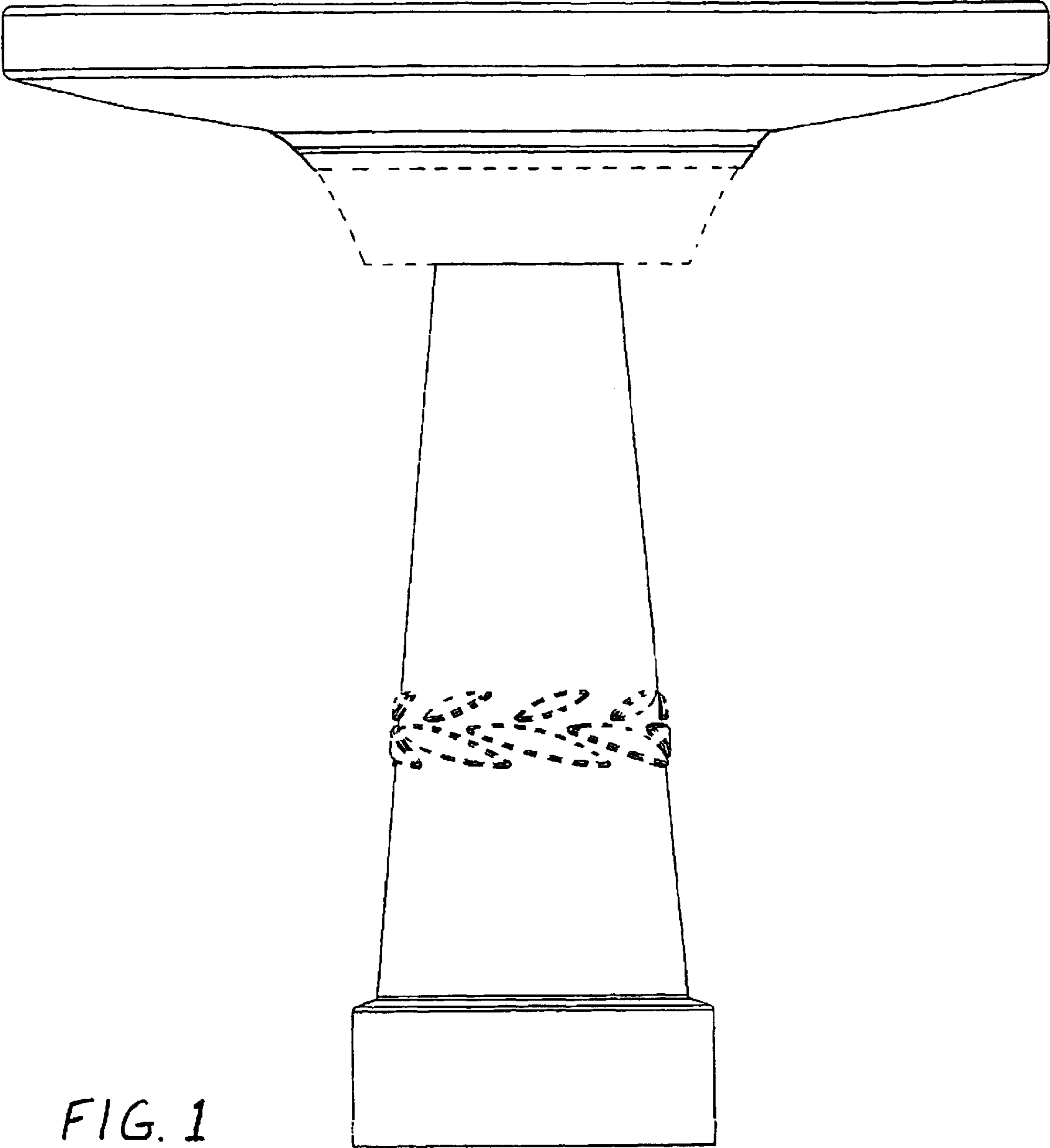


FIG. 1

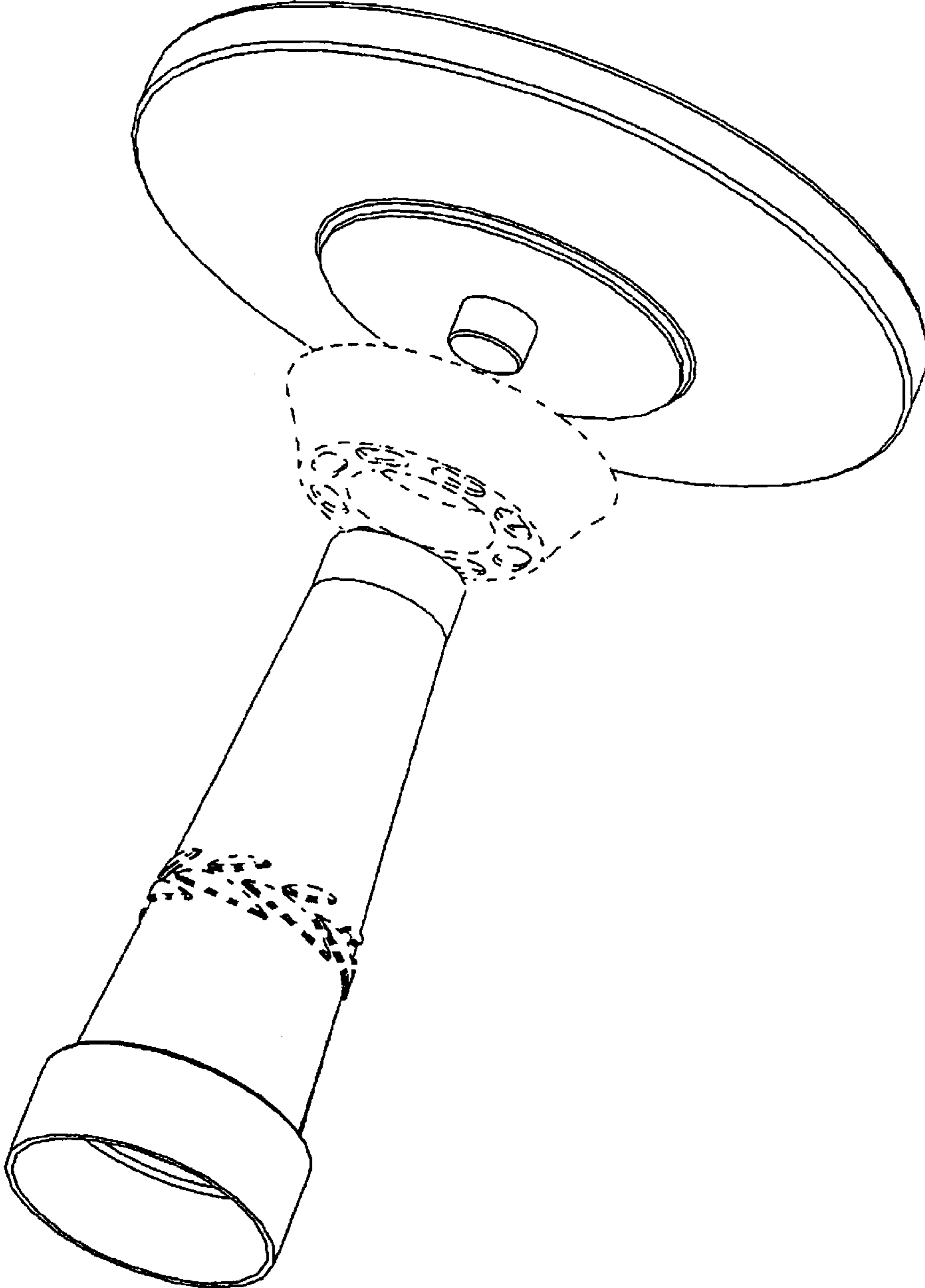


FIG. 2

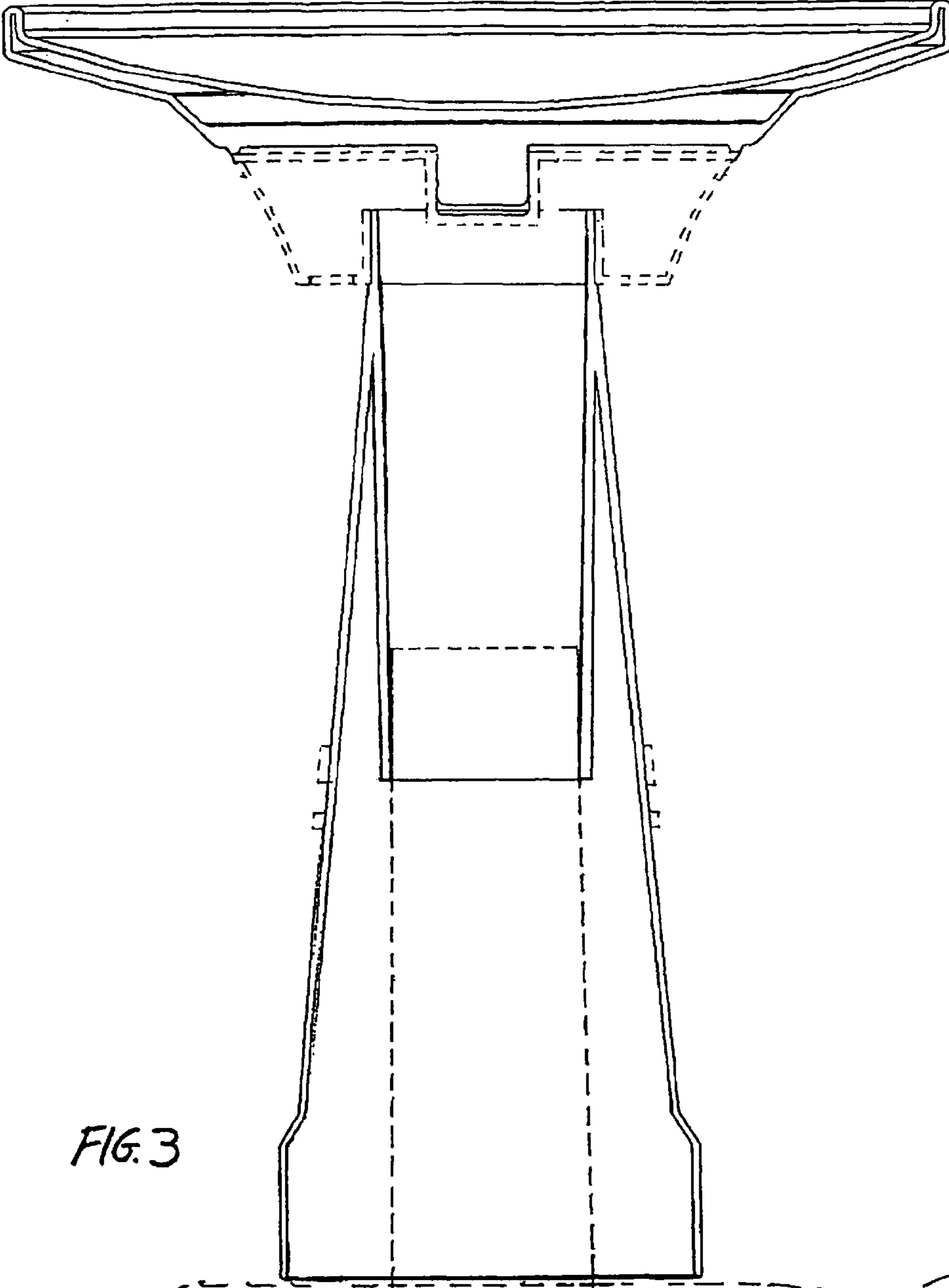


FIG. 3

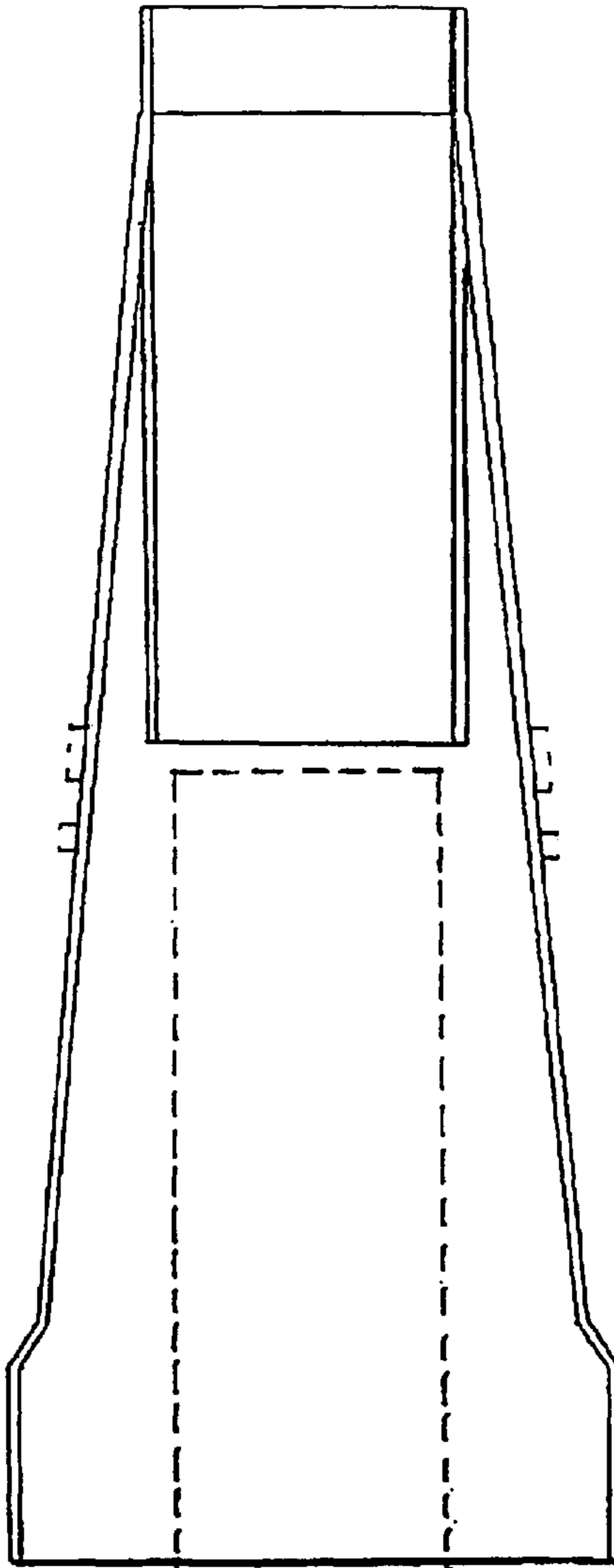
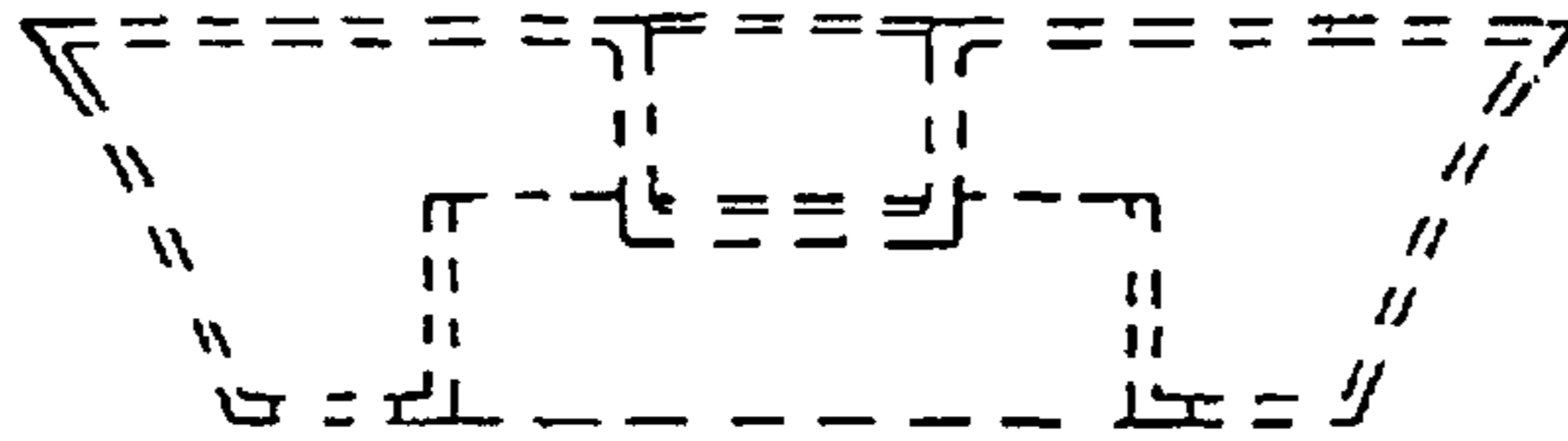
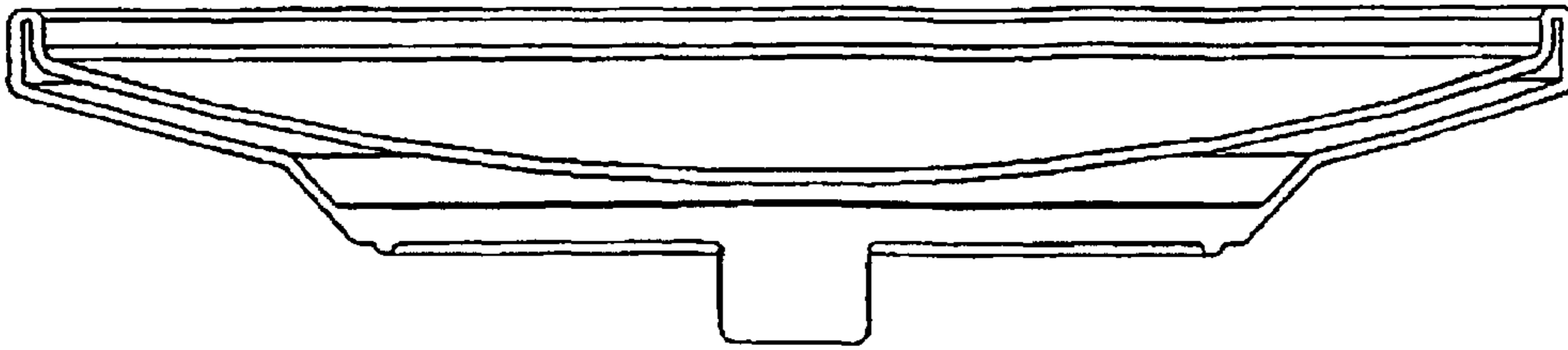
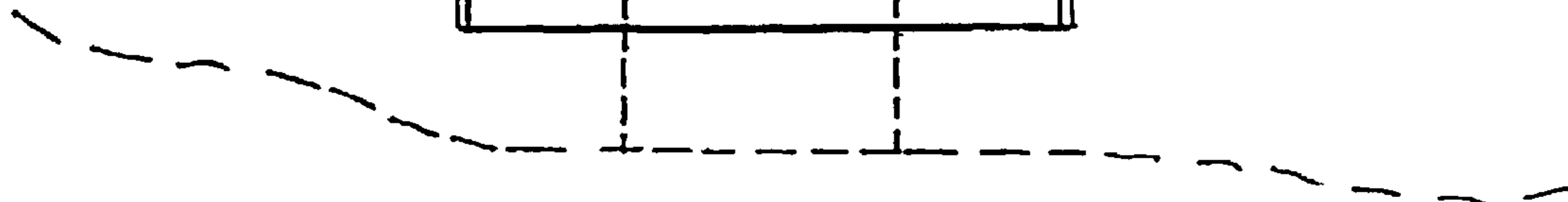


FIG. 4



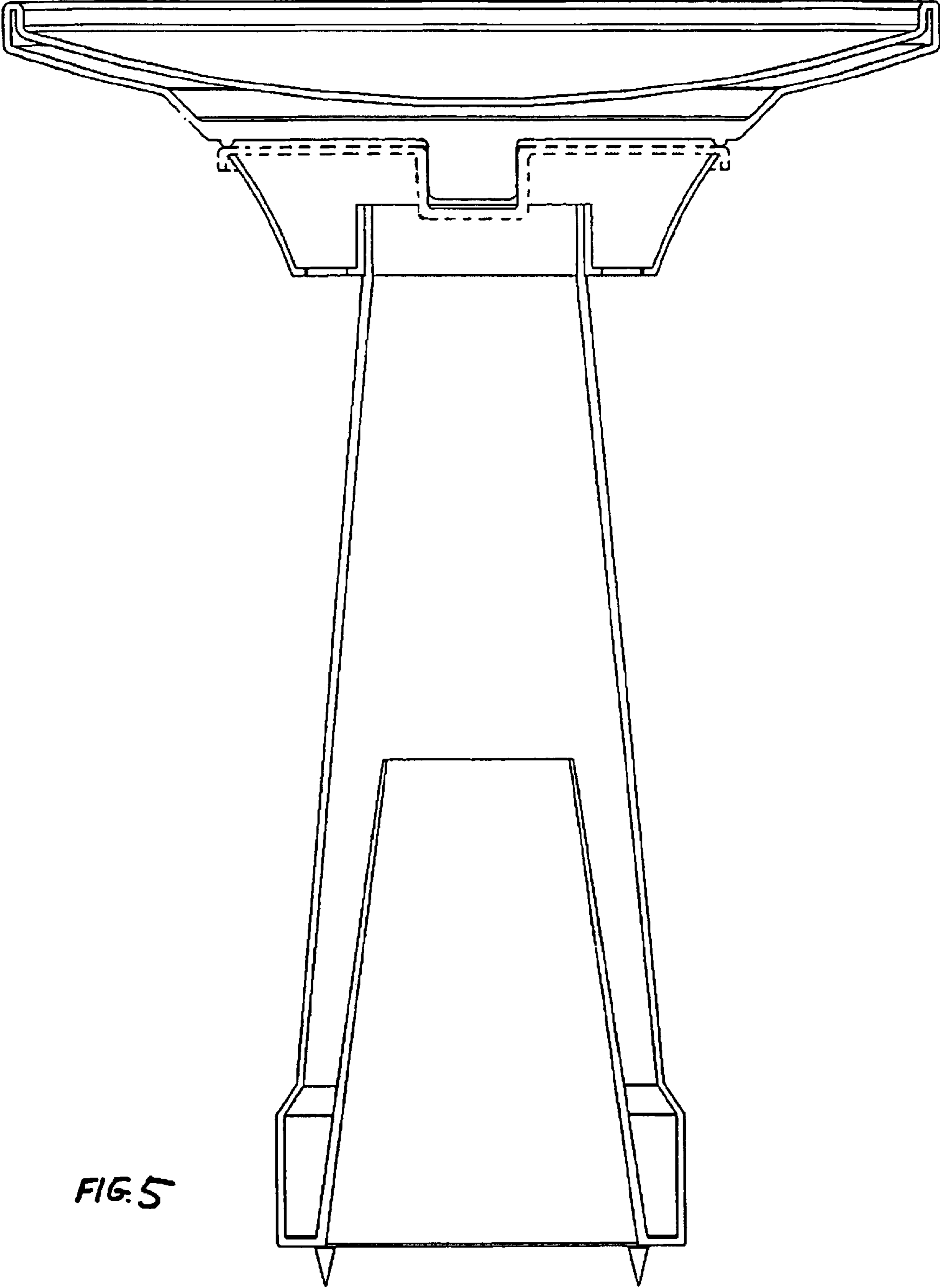
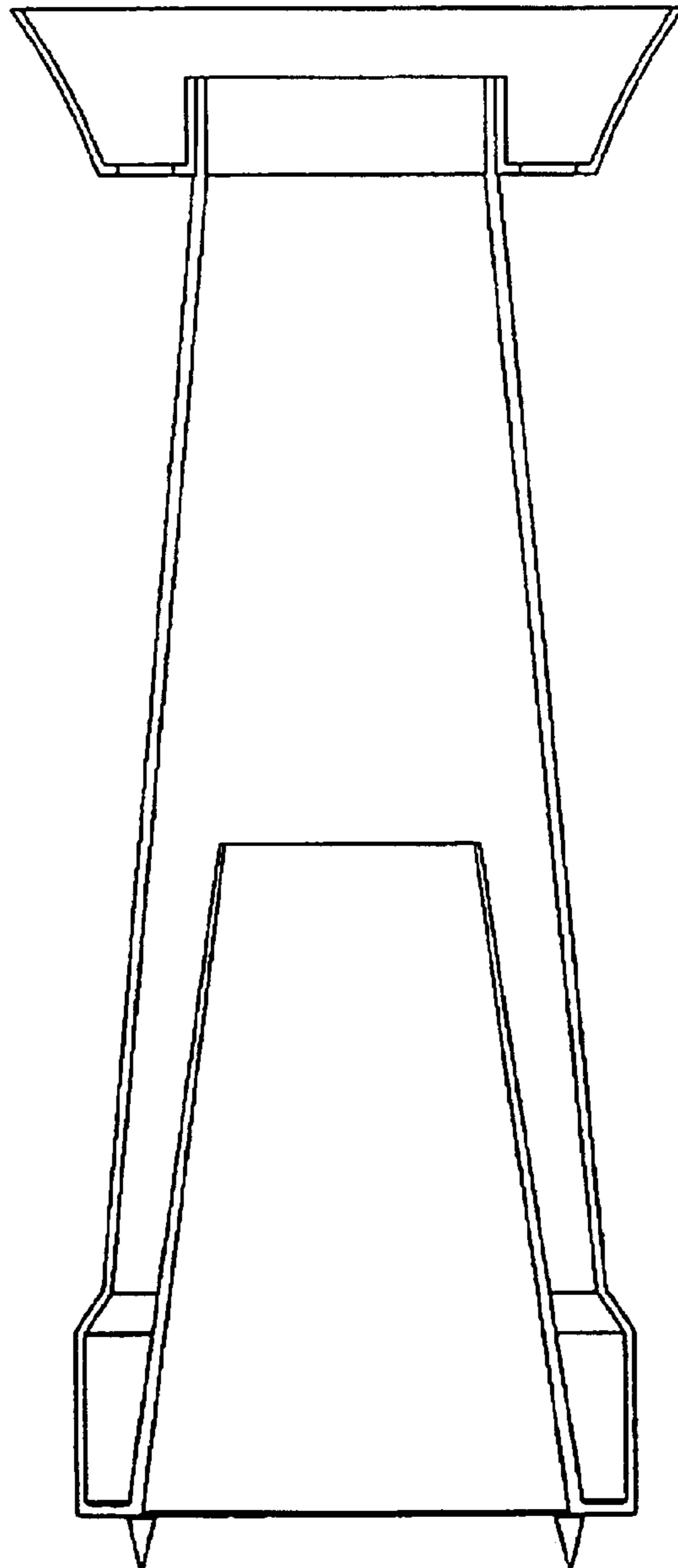
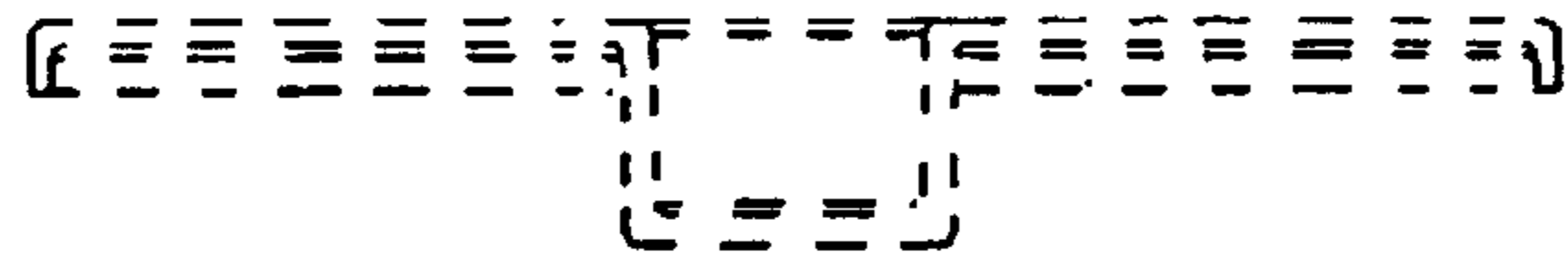
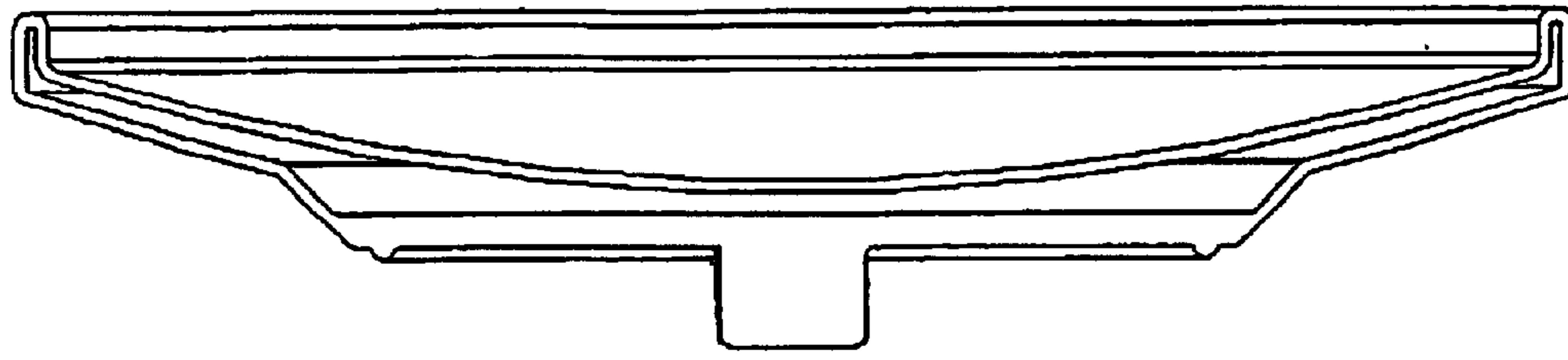


FIG. 5



**FIG. 6**

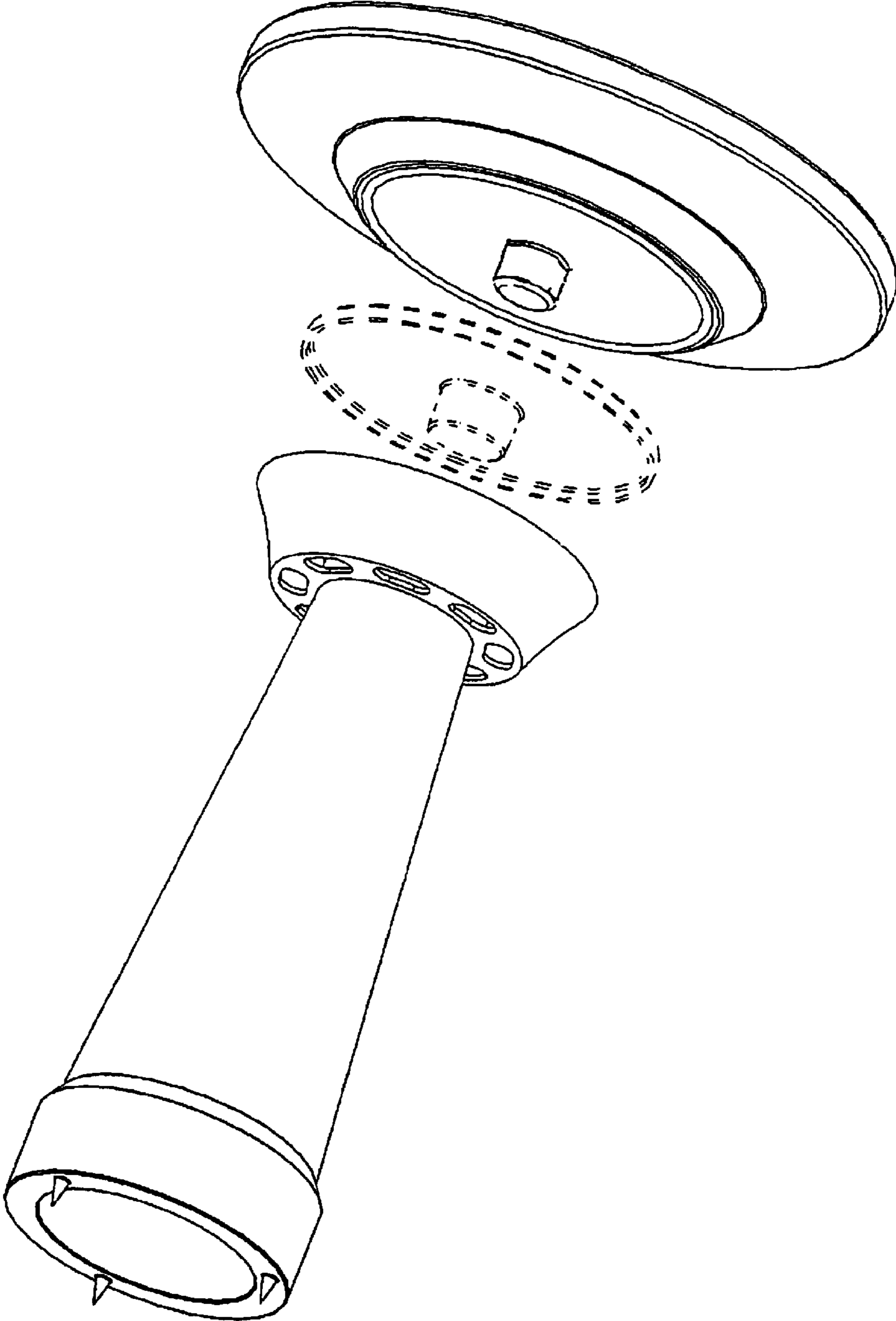


FIG. 7



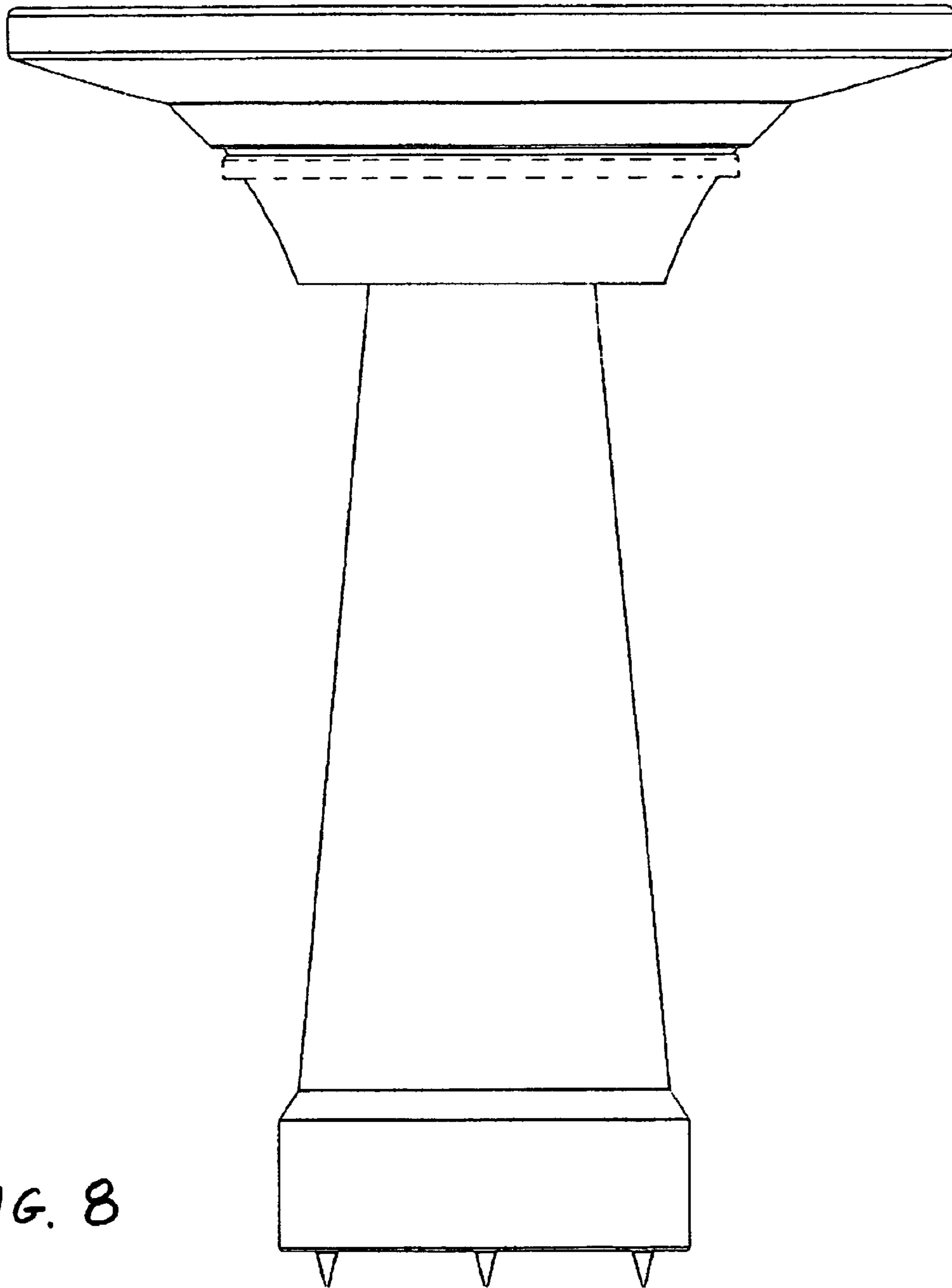


FIG. 8

UNITED STATES PATENT AND TRADEMARK OFFICE  
**CERTIFICATE OF CORRECTION**

PATENT NO. : Des. 494,662 S  
APPLICATION NO. : 29/165569  
DATED : August 17, 2004  
INVENTOR(S) : Traut et al.

Page 1 of 1

It is certified that error appears in the above-identified patent and that said Letters Patent is hereby corrected as shown below:

On Title page item (63) should read

-- Related U.S. Application Data

Continuation-in-part of application No. 29/155625, filed on

Feb. 15, 2002. --

Signed and Sealed this

Third Day of June, 2008

A handwritten signature in black ink that reads "Jon W. Dudas". The signature is written in a cursive style with a large, looped initial "J".

JON W. DUDAS

*Director of the United States Patent and Trademark Office*