

US00D494661S1

(12) **United States Design Patent**
Zieger et al.

(10) **Patent No.:** **US D494,661 S**

(45) **Date of Patent:** **** Aug. 17, 2004**

(54) **MIXING VALVE TRIM**

(75) Inventors: **Claus D. Zieger**, City of Industry, CA (US); **Christopher Glupker**, Van Nuys, CA (US); **Lance Hussey**, Simi Valley, CA (US); **Ravi Sawhney**, Calabasas, CA (US)

(73) Assignee: **Interbath, Inc.**, City of Industry, CA (US)

(**) Term: **14 Years**

(21) Appl. No.: **29/181,869**

(22) Filed: **May 17, 2003**

(51) **LOC (7) Cl.** **23-01**

(52) **U.S. Cl.** **D23/254; D23/245**

(58) **Field of Search** **D23/233-254; 137/359, 801; 4/675-678; D8/353**

(56) **References Cited**

U.S. PATENT DOCUMENTS

2,792,847 A * 5/1957 Spencer 137/636.2
D319,294 S * 8/1991 Kohler et al. D23/254
5,161,567 A * 11/1992 Humpert 137/359
5,441,075 A * 8/1995 Clare 137/454.6

D421,099 S * 2/2000 Mullenmeister D23/254
D441,059 S * 4/2001 Fleischmann D23/254
6,283,447 B1 * 9/2001 Fleet 251/288
6,321,777 B1 * 11/2001 Wu 137/315.12
D458,348 S * 6/2002 Mullenmeister D23/254
D461,878 S * 8/2002 Green et al. D23/254
D469,165 S * 1/2003 Lim D23/254

* cited by examiner

Primary Examiner—Nelson C. Holtje

(74) *Attorney, Agent, or Firm*—Foley & Lardner LLP

(57) **CLAIM**

The ornamental design for a mixing valve trim, as shown and described.

DESCRIPTION

FIG. 1 is a perspective view of a mixing valve trim showing our new design;

FIG. 2 is a front plan view thereof;

FIG. 3 is a top elevation view thereof;

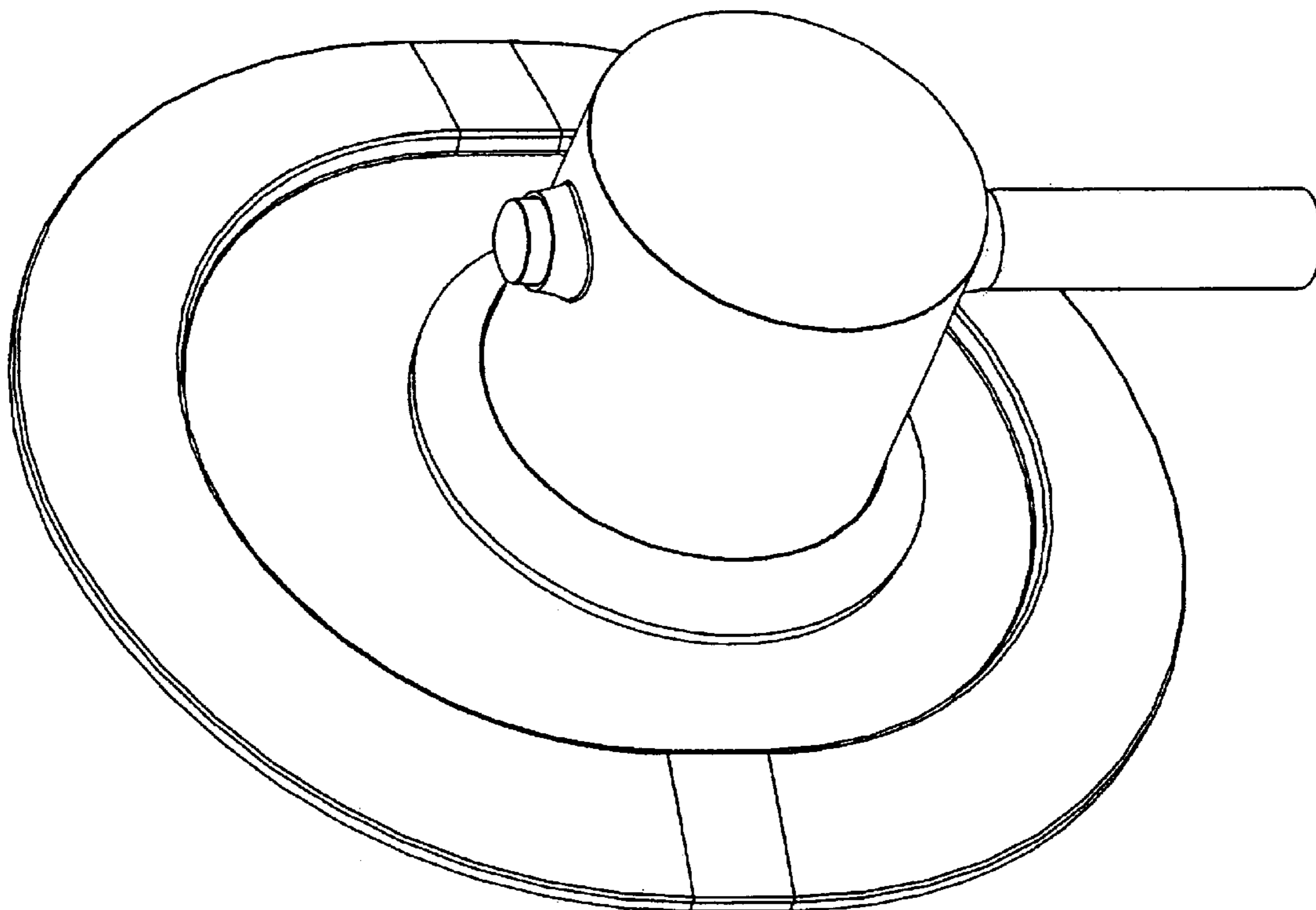
FIG. 4 is a bottom elevation view thereof;

FIG. 5 is a rear plan view thereof;

FIG. 6 is a first side elevation view thereof; and,

FIG. 7 is a second side elevation view thereof.

1 Claim, 7 Drawing Sheets



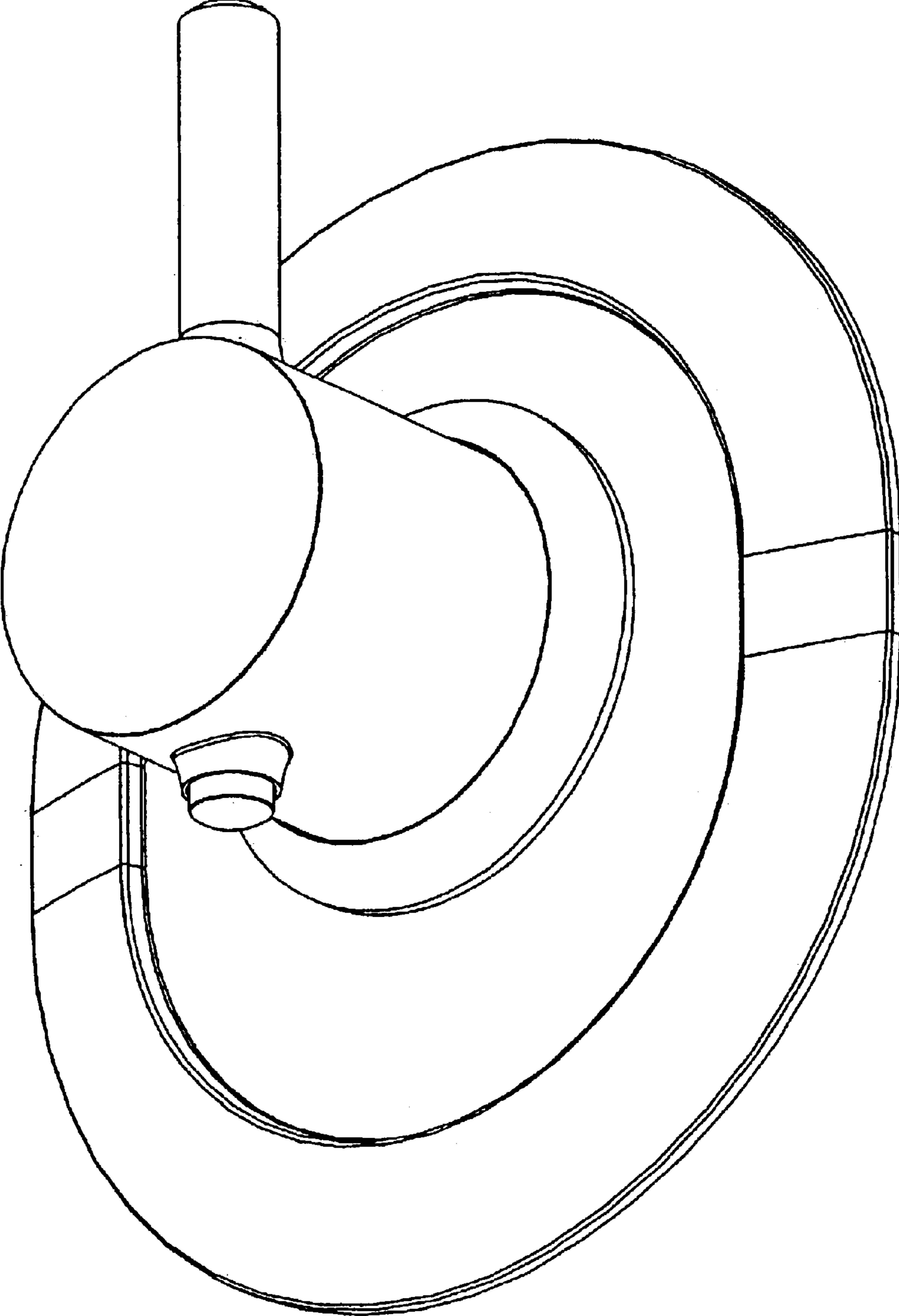


FIGURE 1

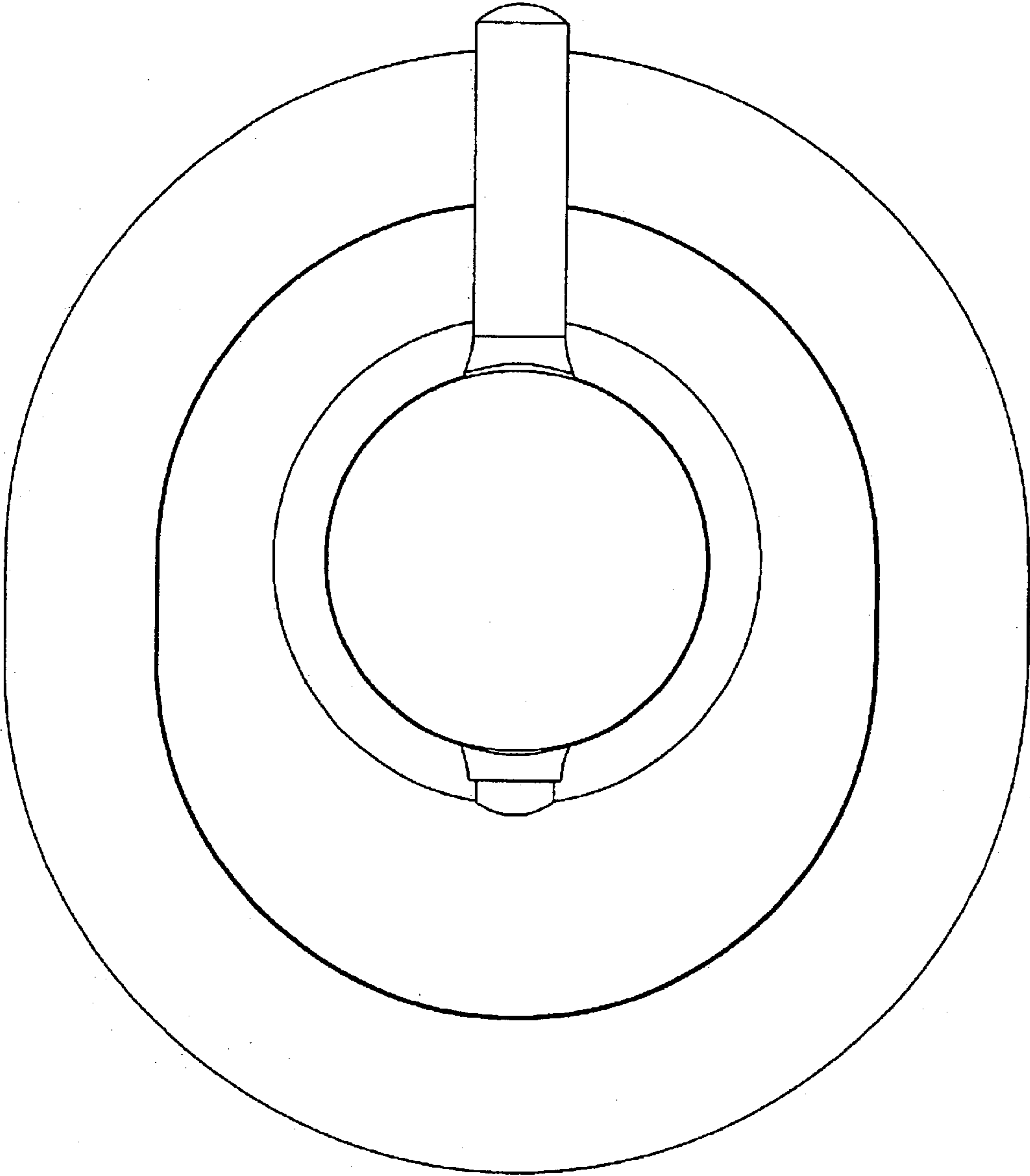


FIGURE 2

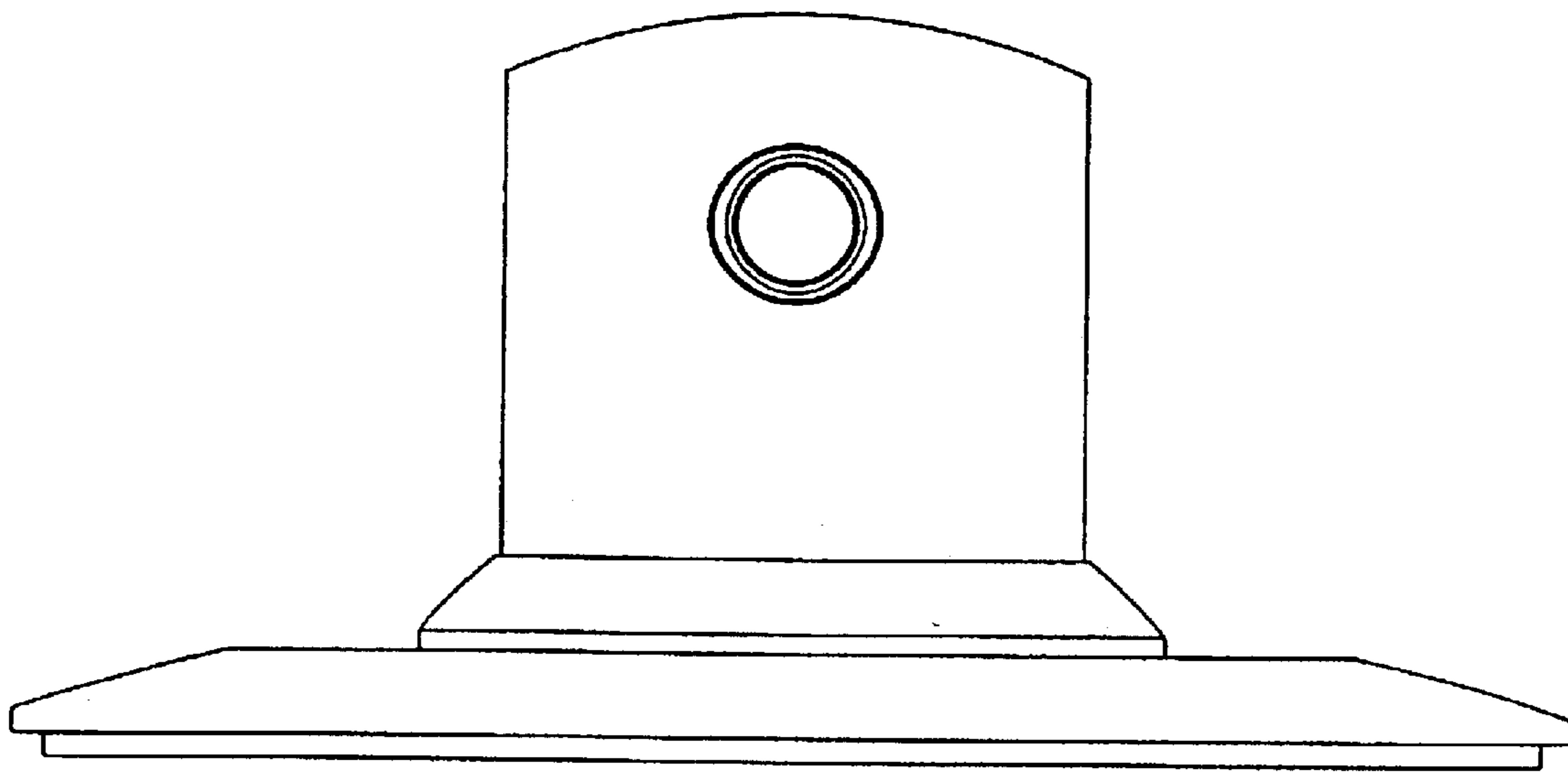


FIGURE 3

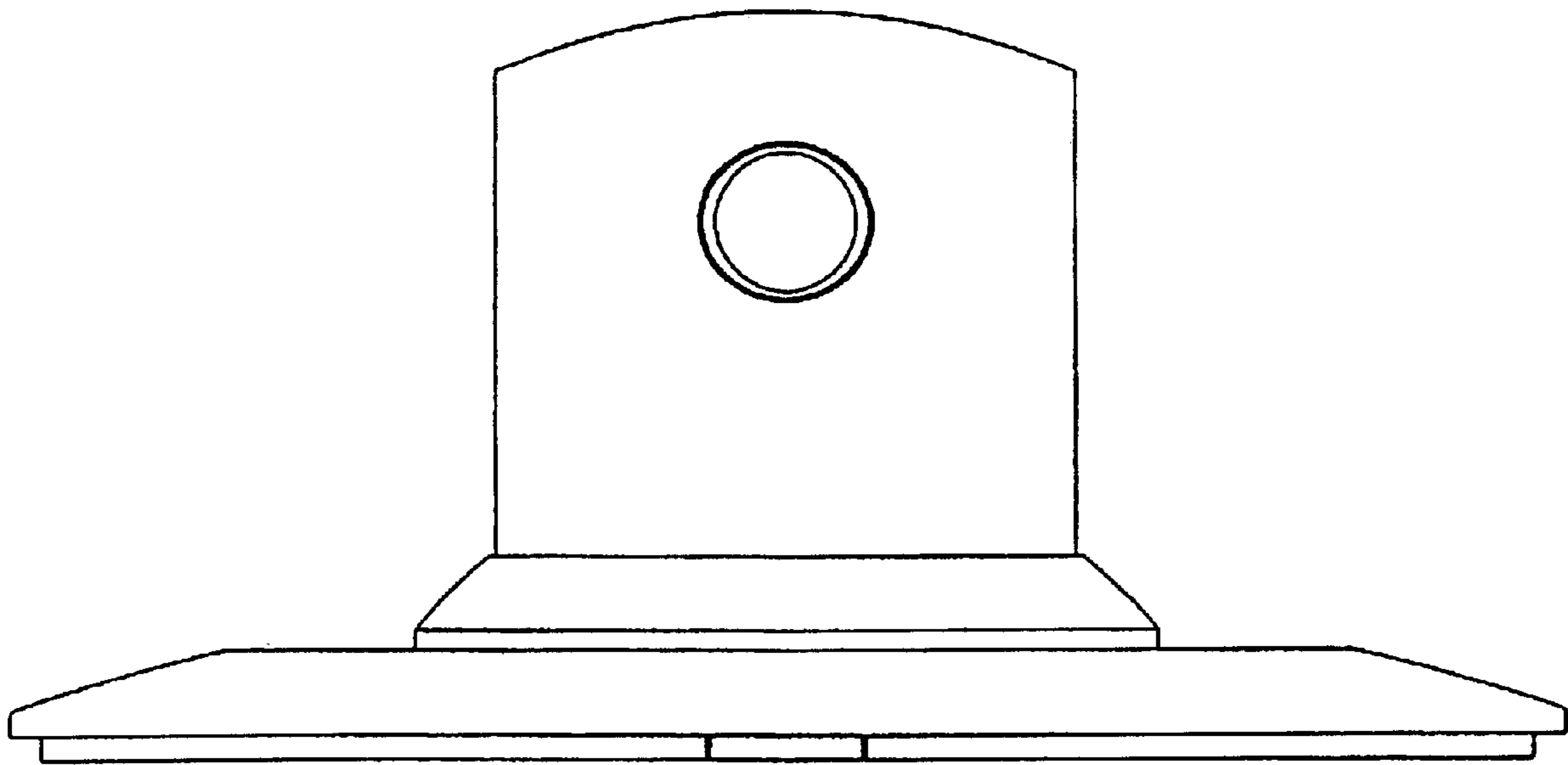


FIGURE 4

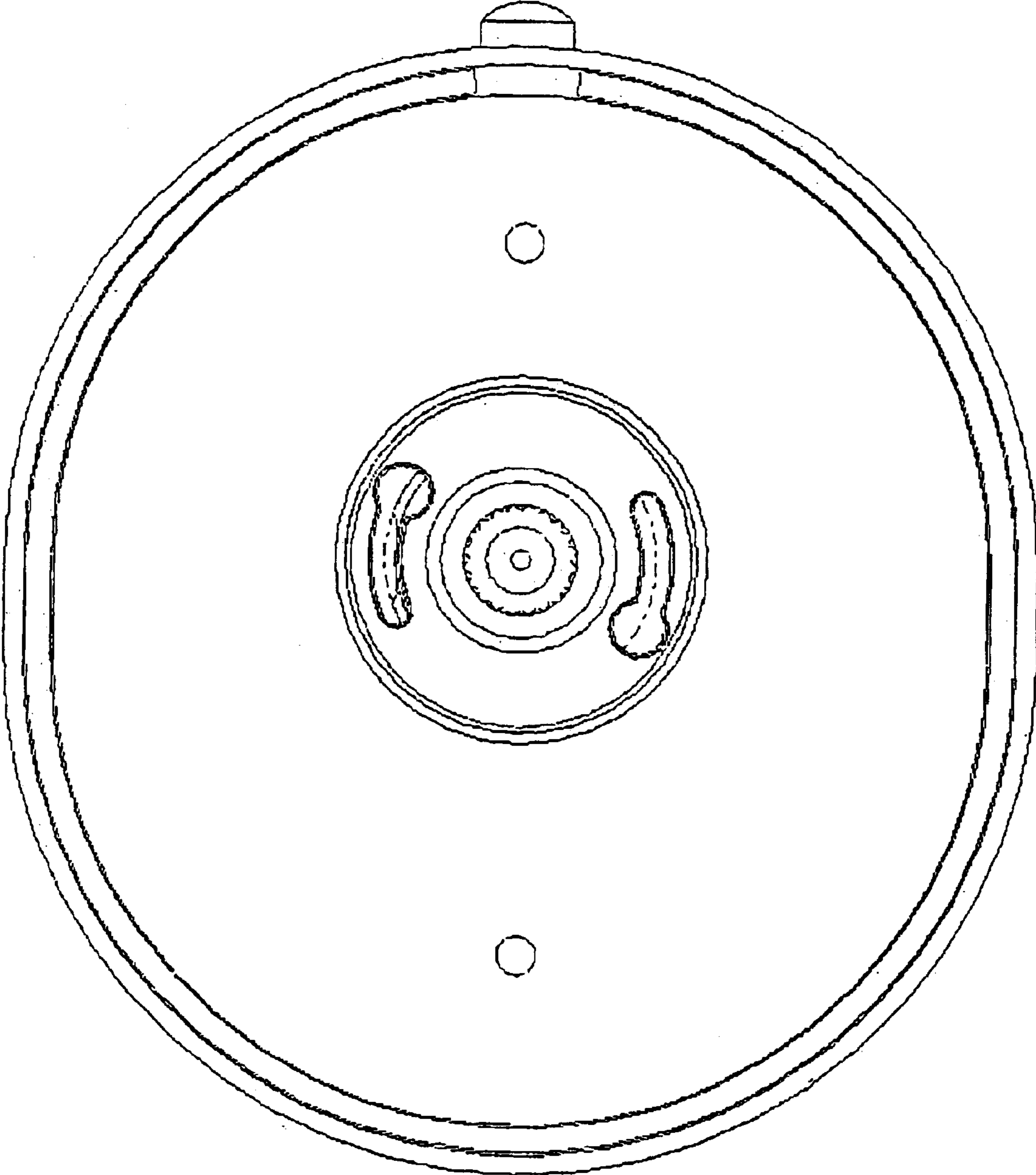


FIGURE 5

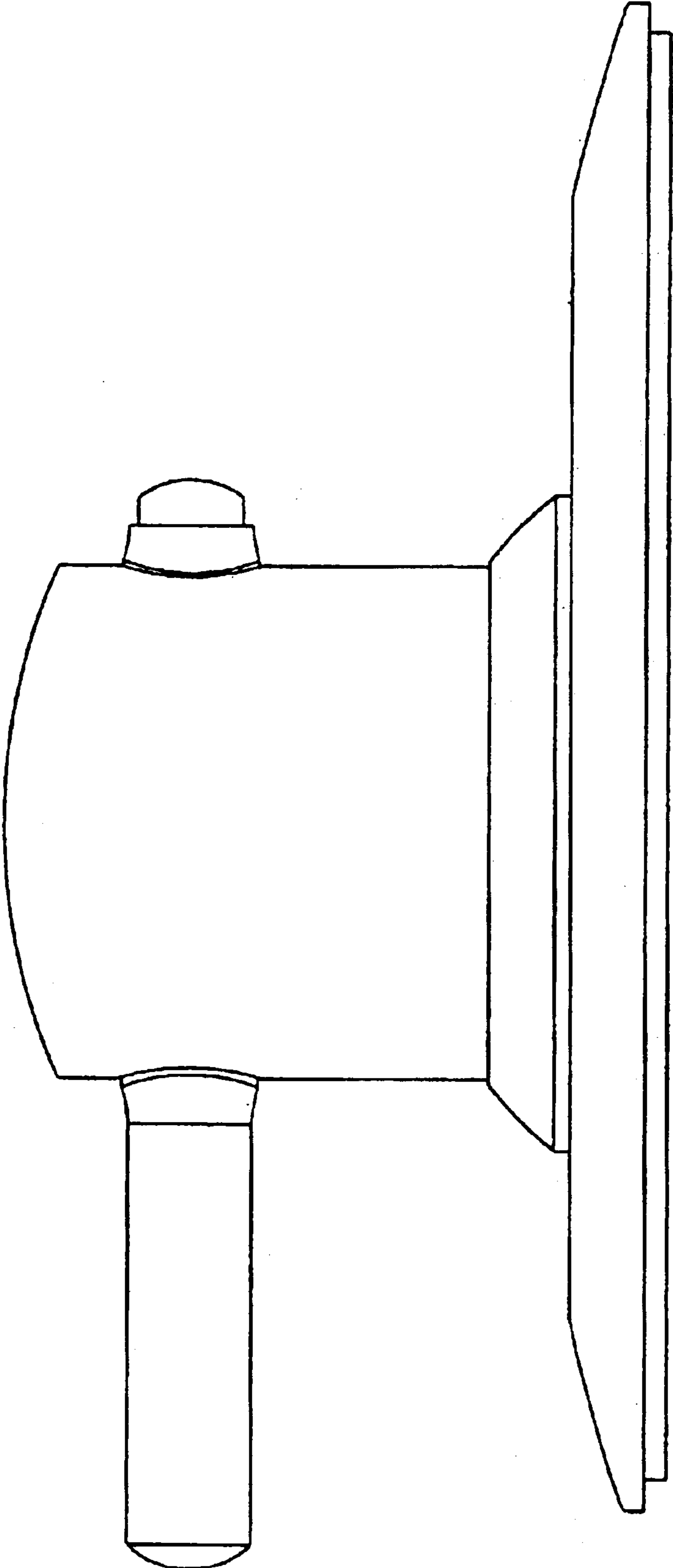


FIGURE 6

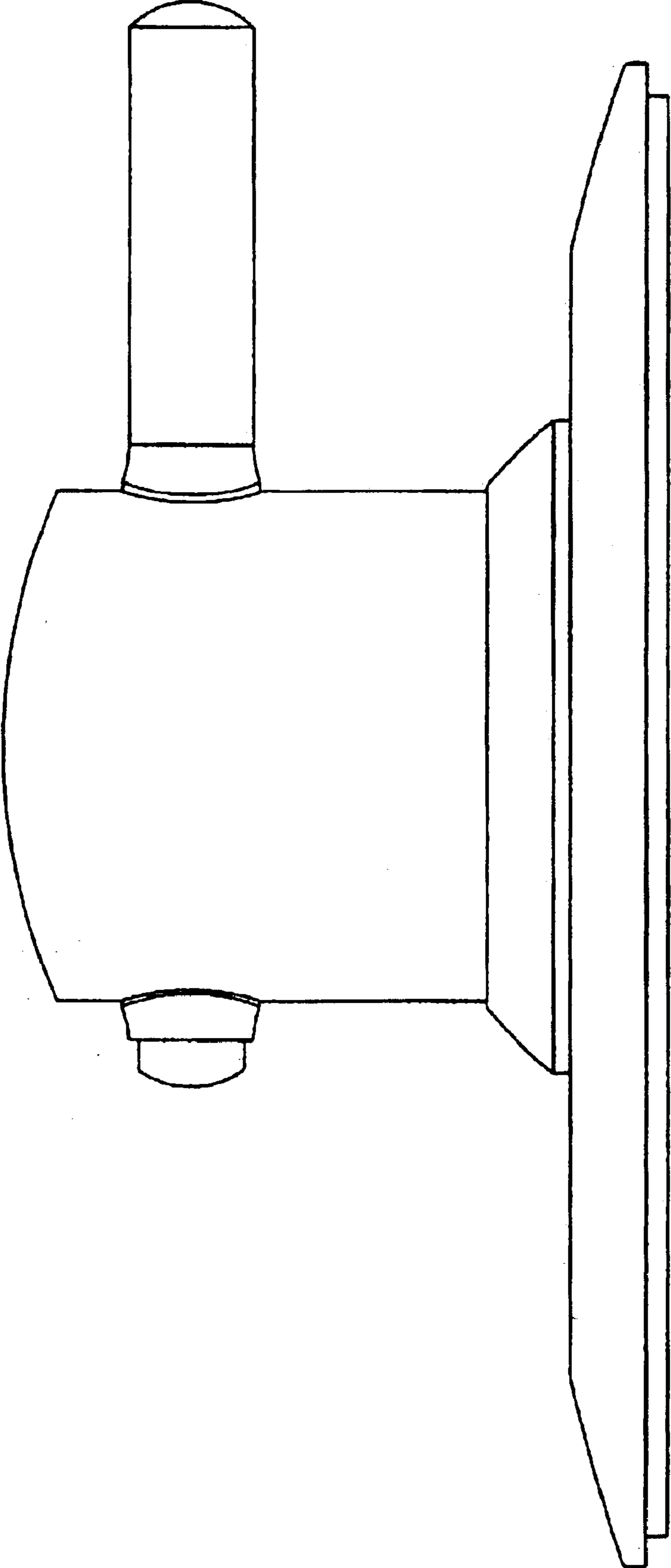


FIGURE 7