

US00D494660S1

(12) **United States Design Patent**
Herring et al.

(10) **Patent No.:** **US D494,660 S**

(45) **Date of Patent:** **** Aug. 17, 2004**

(54) **HAND WHEEL FOR A WATER VALVE**

D153,285 S * 4/1949 Hiderer D23/253
D252,340 S * 7/1979 Okano D23/253
D274,084 S * 5/1984 Yanagi D23/253

(75) Inventors: **William Peter Herring**, Rudge (GB);
James Moore, Frome (GB)

* cited by examiner

(73) Assignee: **Hornbeam Ivy Limited**, Somerset
(GB)

Primary Examiner—Nelson C. Holtje
(74) *Attorney, Agent, or Firm*—Stites & Harbison PLLC;
Douglas E. Jackson

(**) Term: **14 Years**

(21) Appl. No.: **29/189,344**

(22) Filed: **Sep. 4, 2003**

(57) **CLAIM**

The ornamental design for a hand wheel for a water valve,
as shown and described.

(30) **Foreign Application Priority Data**

Mar. 6, 2003 (GB) 3011391

DESCRIPTION

(51) **LOC (7) Cl.** **23-01**

FIG. 1 is front view of a hand wheel for a water valve
according to the present invention.

(52) **U.S. Cl.** **D23/250**

FIG. 2 is a top view of the hand wheel for a water valve of
FIG. 1 (bottom view corresponds).

(58) **Field of Search** D23/253, 233-237,
D23/244-249; D8/310

FIG. 3 is a right side view of the hand wheel for a water
valve of FIG. 1 (left side corresponds).

(56) **References Cited**

U.S. PATENT DOCUMENTS

D7,463 S * 6/1874 Jarecki D8/313
D8,380 S * 6/1875 McLaughlin D23/253
D42,770 S * 7/1912 Osborne D23/253

FIG. 4 is a rear view of the hand wheel for a water valve
depicted in FIG. 1; and,

FIG. 5 is a perspective front, top and right side view of the
hand wheel for a water valve depicted in FIG. 1.

1 Claim, 5 Drawing Sheets

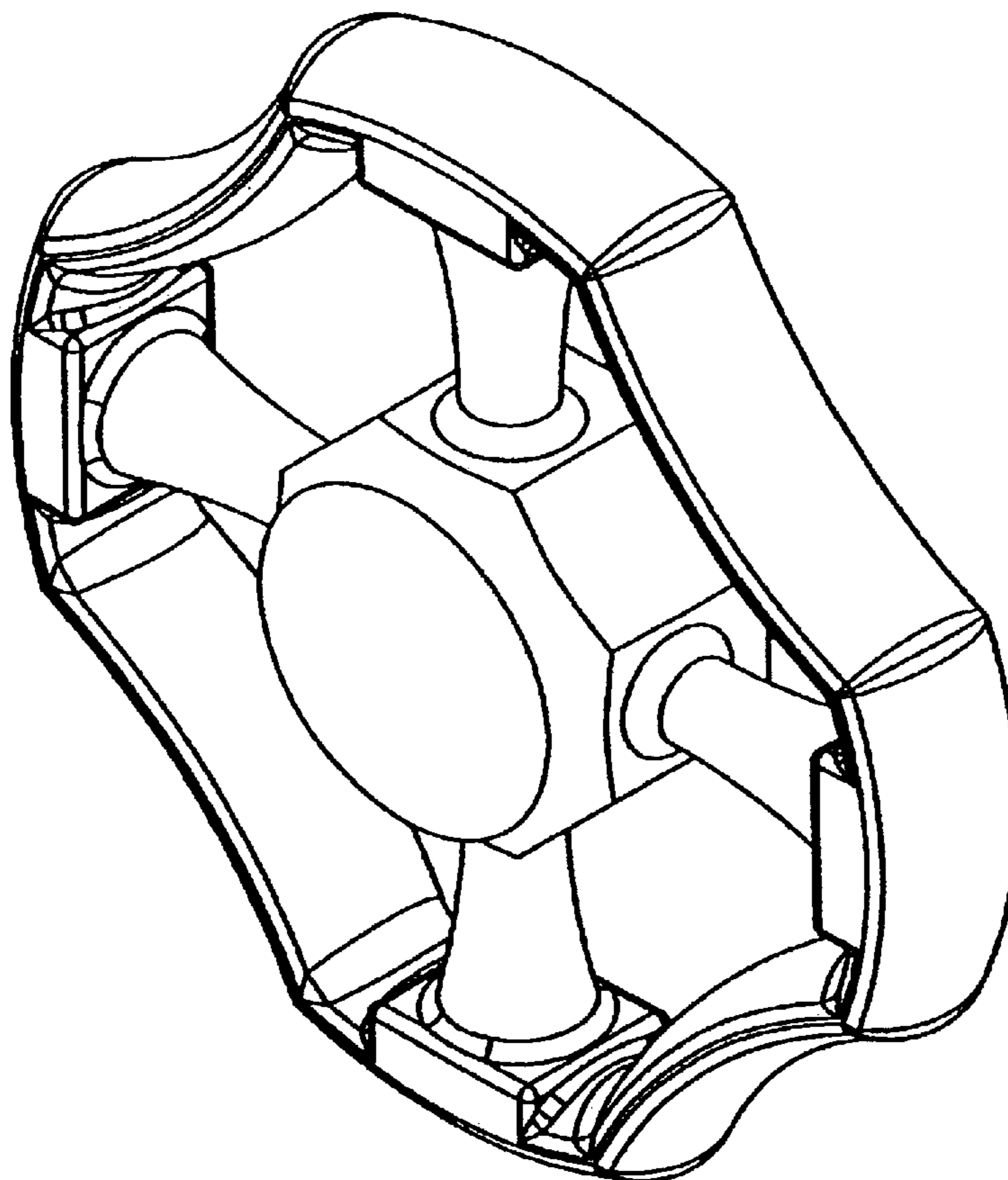


FIG. 1

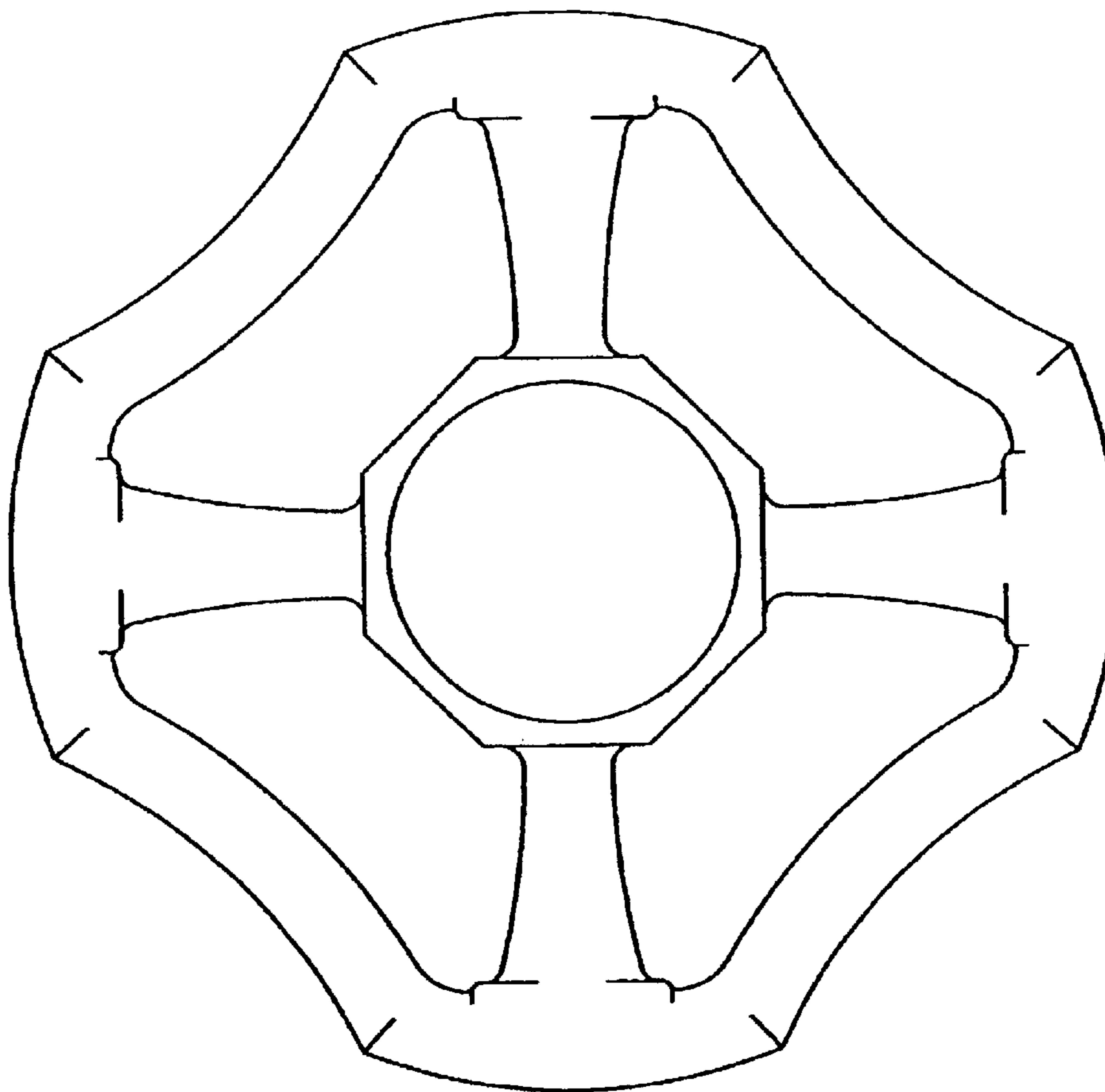


FIG. 2

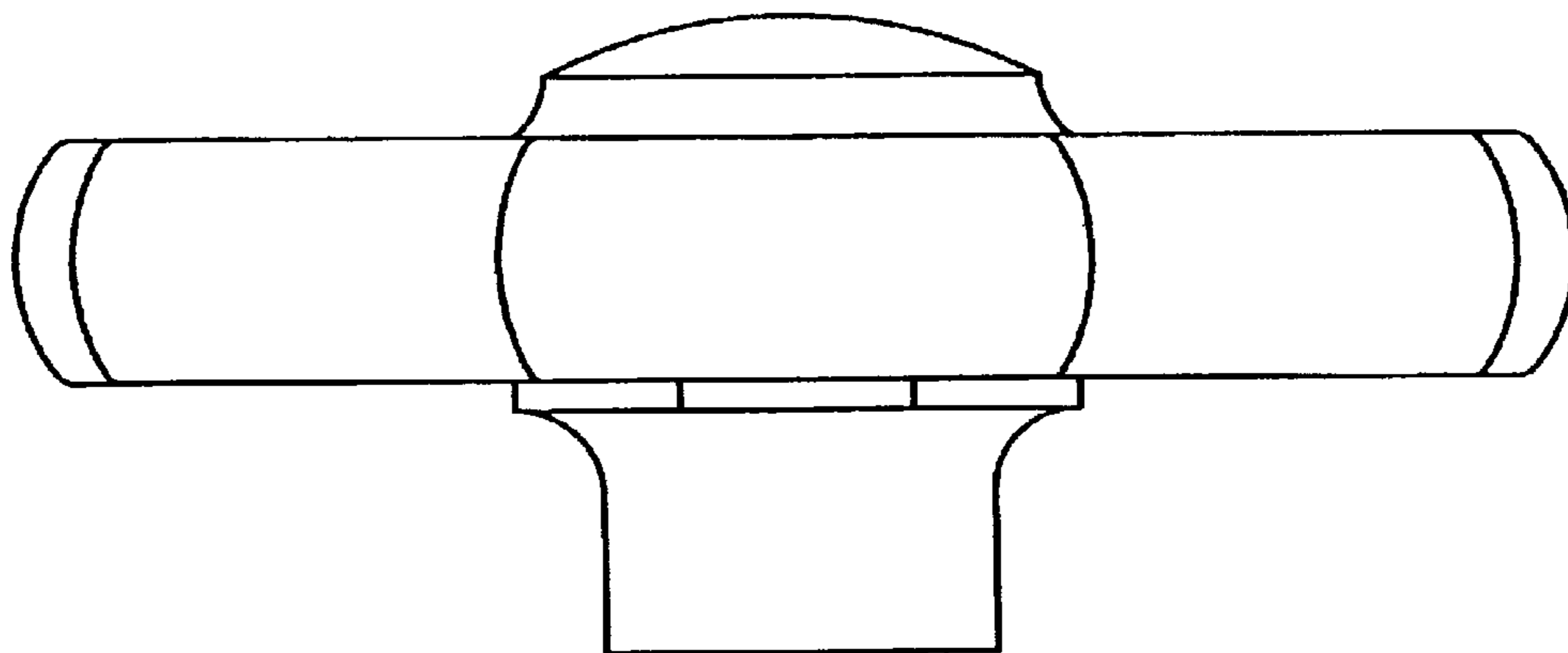


FIG. 3

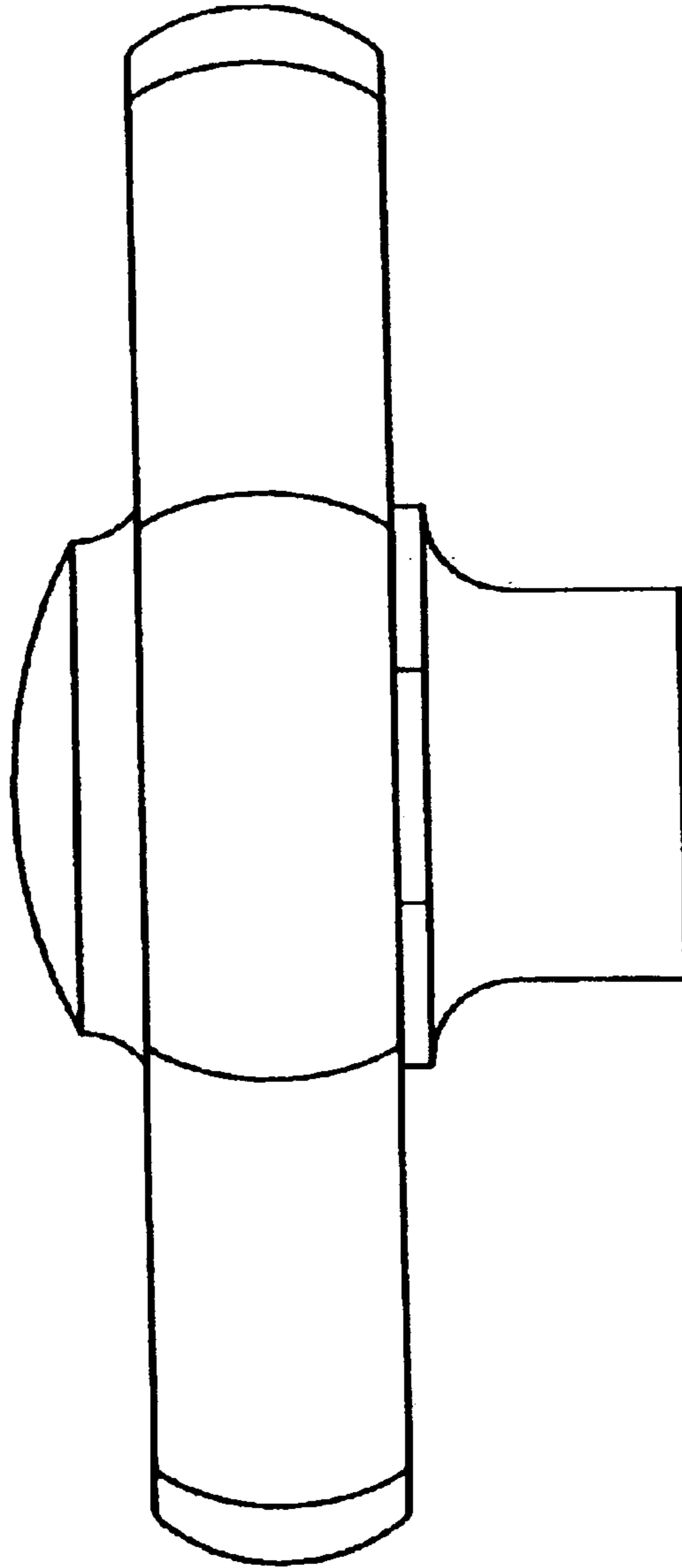


FIG. 4

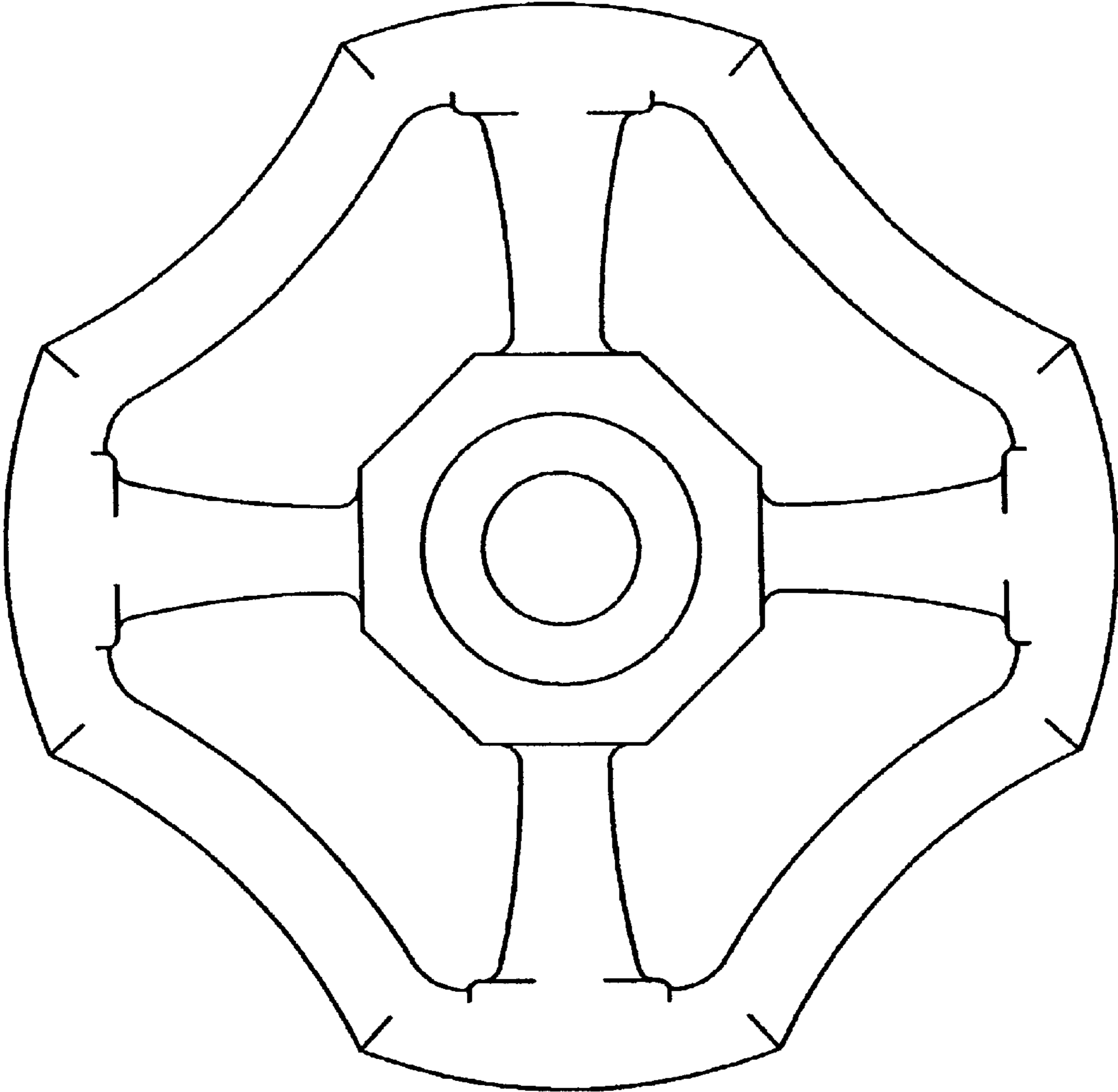


FIG. 5

