



US00D494655S1

(12) **United States Design Patent**  
**Lin**

(10) **Patent No.:** **US D494,655 S**

(45) **Date of Patent:** **\*\* Aug. 17, 2004**

(54) **SHOWER HEAD**

D479,301 S \* 9/2003 Ouyoung ..... D23/213

(75) Inventor: **Shih-Hung Lin**, Taichung (TW)

\* cited by examiner

(73) Assignee: **Globe Union Industrial Corp.**,  
Taichung Export Processing Zone (TW)

*Primary Examiner*—Robin V. Taylor  
(74) *Attorney, Agent, or Firm*—Leong C. Lei

(\*\*) Term: **14 Years**

(57) **CLAIM**

The ornamental design for a shower head, as shown and described.

(21) Appl. No.: **29/187,788**

(22) Filed: **Aug. 8, 2003**

**DESCRIPTION**

(51) **LOC (7) Cl.** ..... **23-01**

FIG. 1 is a perspective view of a shower head showing my new design;

(52) **U.S. Cl.** ..... **D23/213**

FIG. 2 is a front side elevation view thereof;

(58) **Field of Search** ..... D23/213, 229,

FIG. 3 is a rear side elevation view thereof;

D23/230; 239/282, 283, 548; 4/601

FIG. 4 is a left side elevation view thereof;

(56) **References Cited**

FIG. 5 is a right side elevation view thereof;

**U.S. PATENT DOCUMENTS**

FIG. 6 is a top plan view thereof; and,

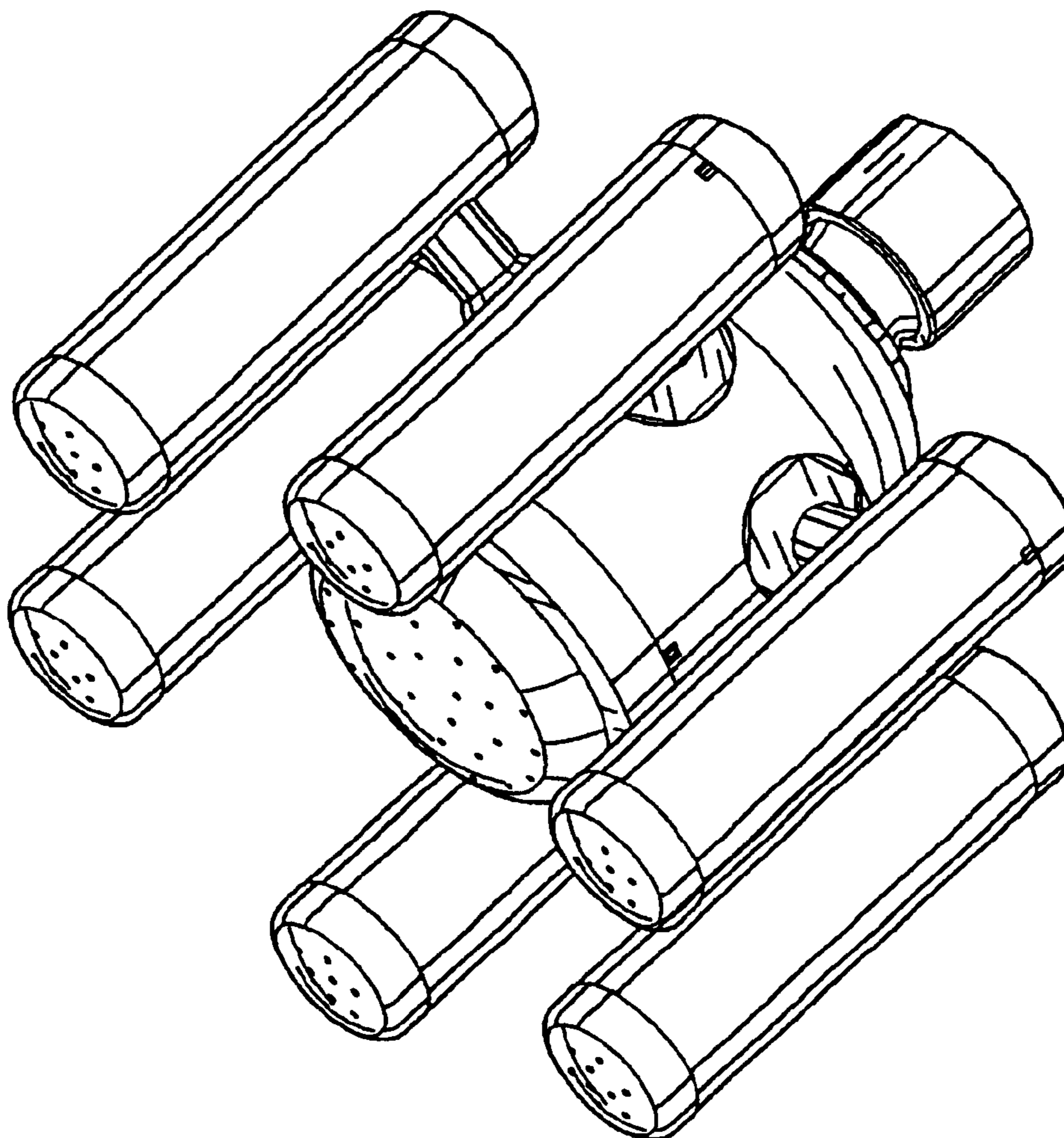
D417,903 S \* 12/1999 Warshawsky ..... D23/213

FIG. 7 is a bottom plan view thereof.

6,286,158 B1 \* 9/2001 Lin ..... 4/601

D472,958 S \* 4/2003 Ouyoung ..... D23/213

**1 Claim, 4 Drawing Sheets**



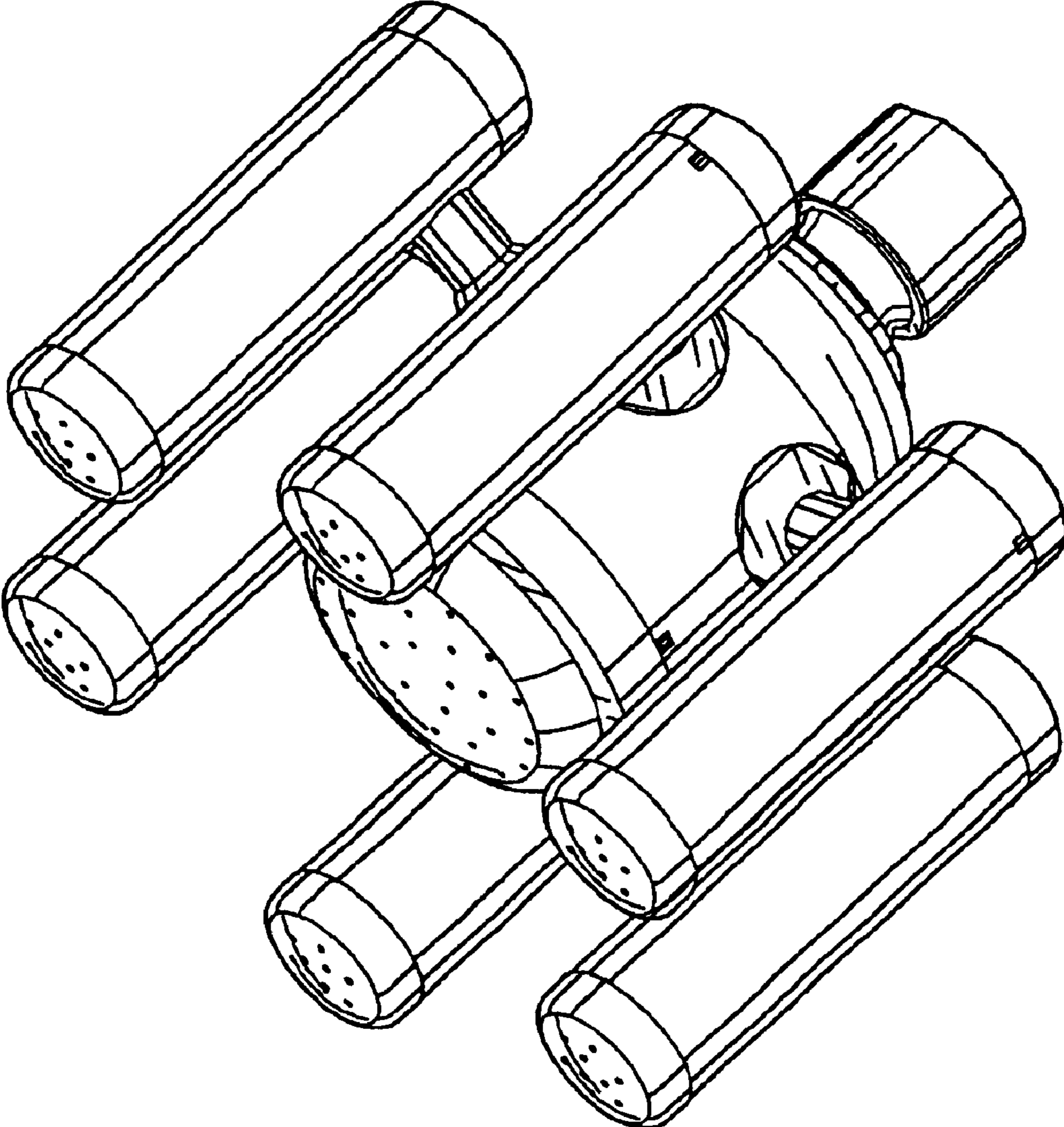


FIG. 1

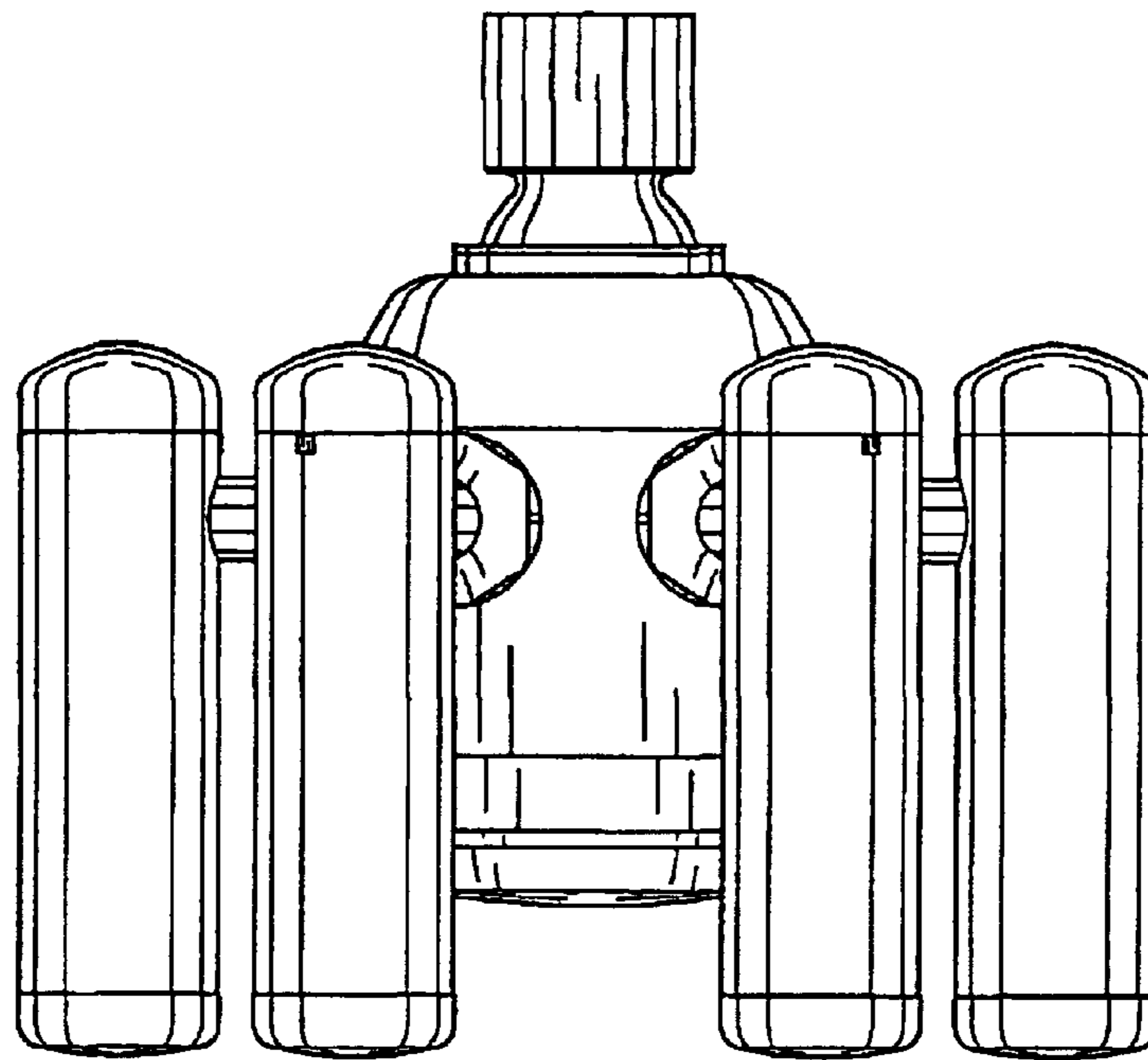


FIG. 2

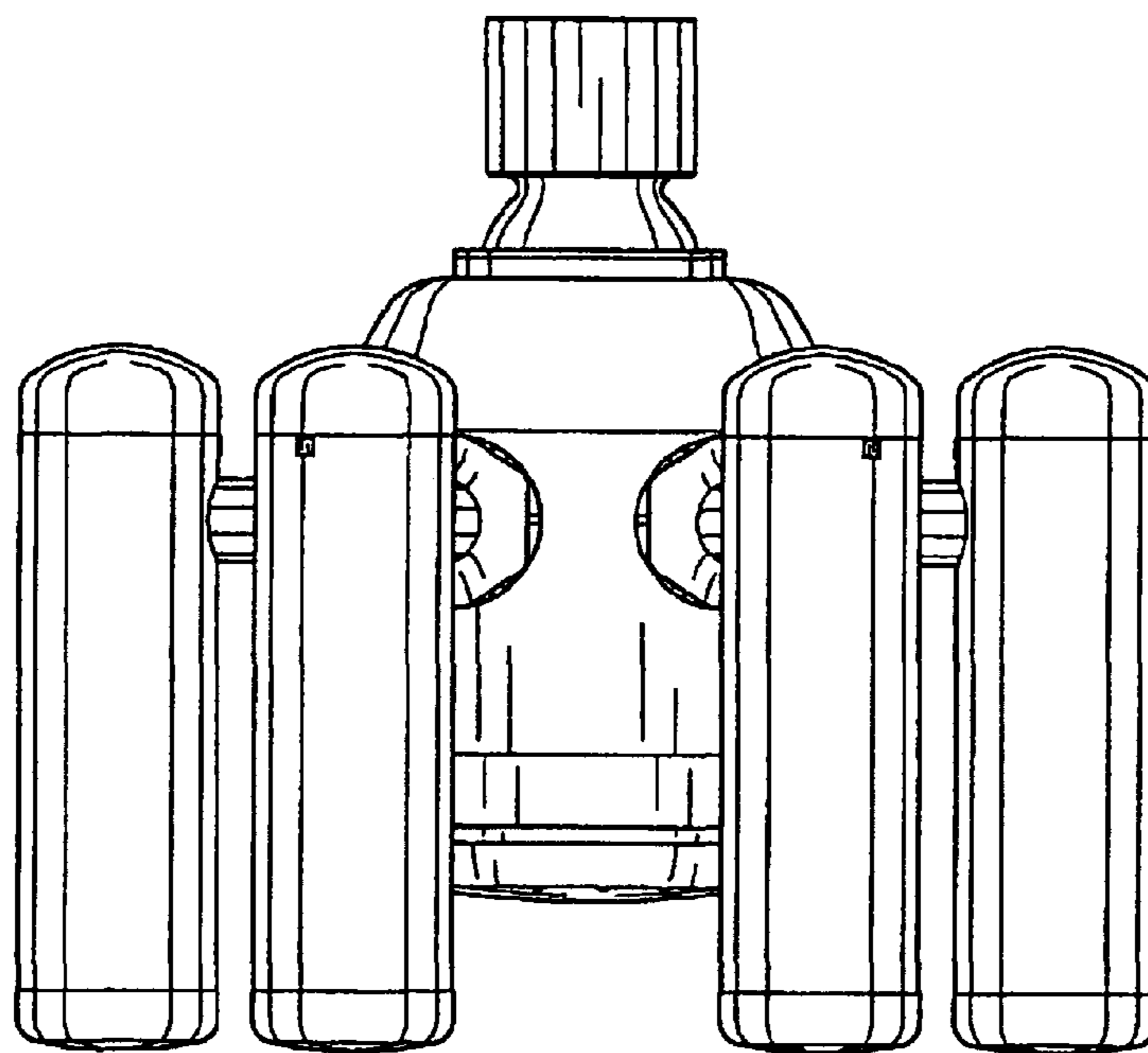


FIG. 3

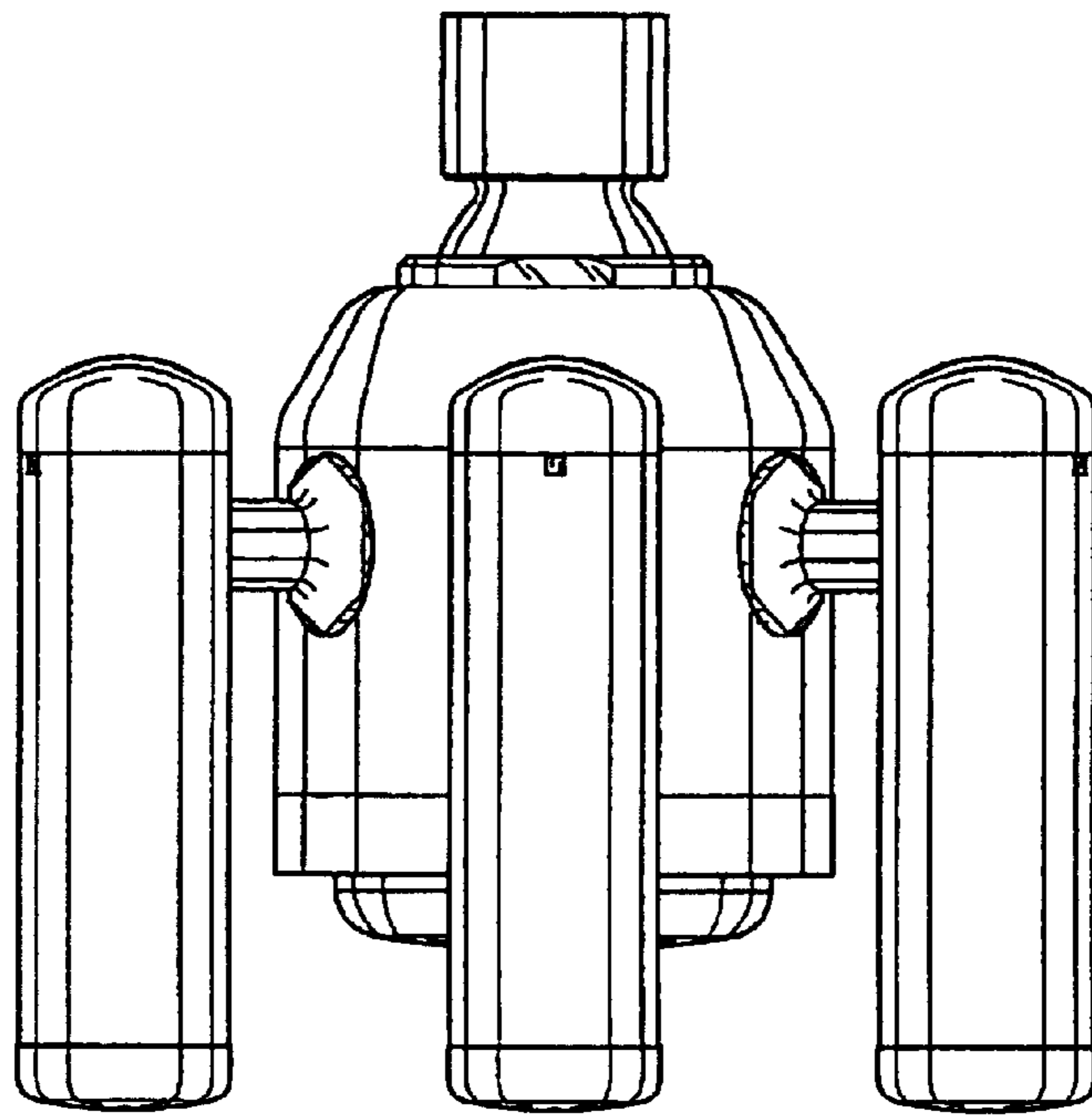


FIG. 4

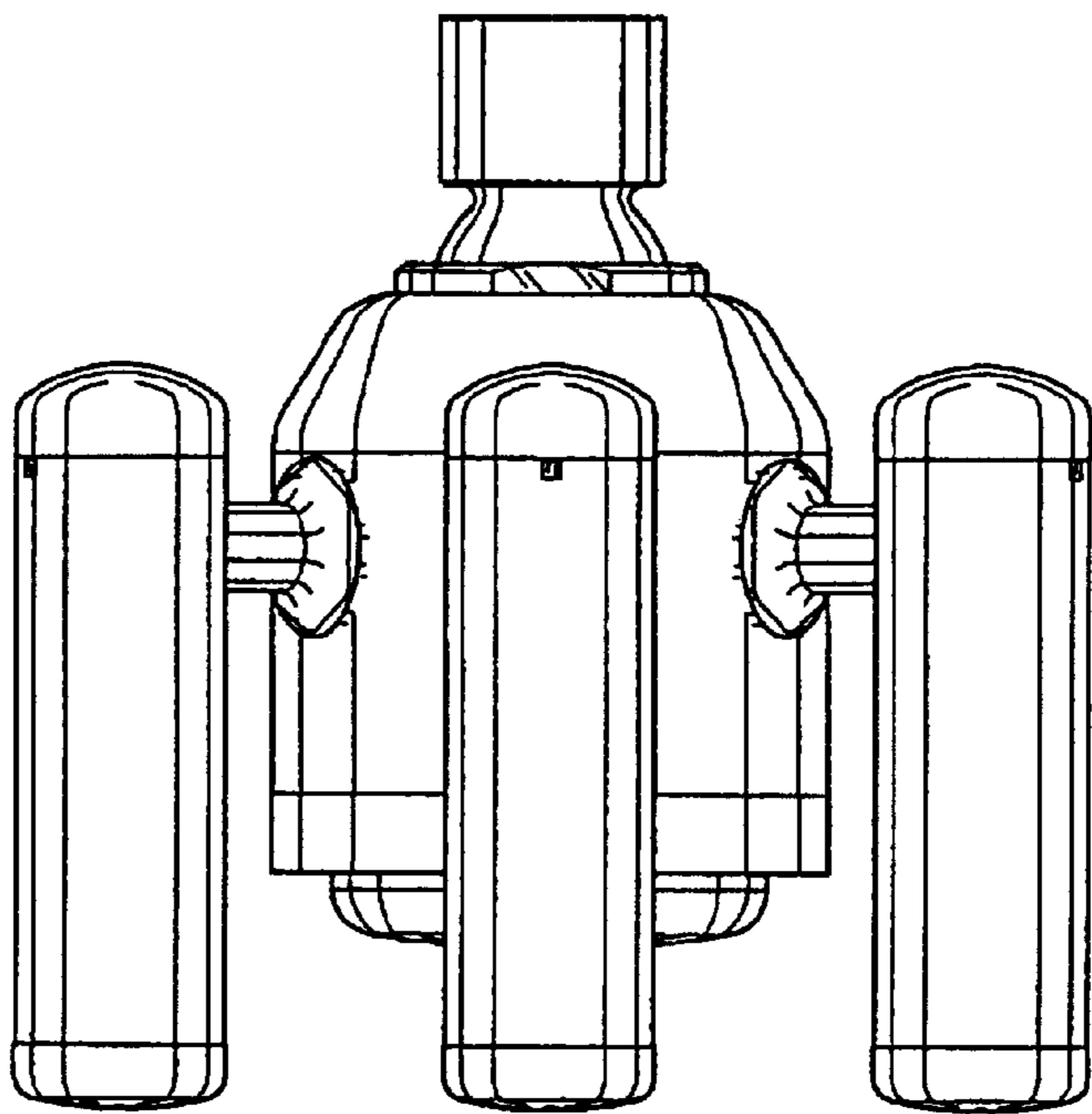


FIG. 5

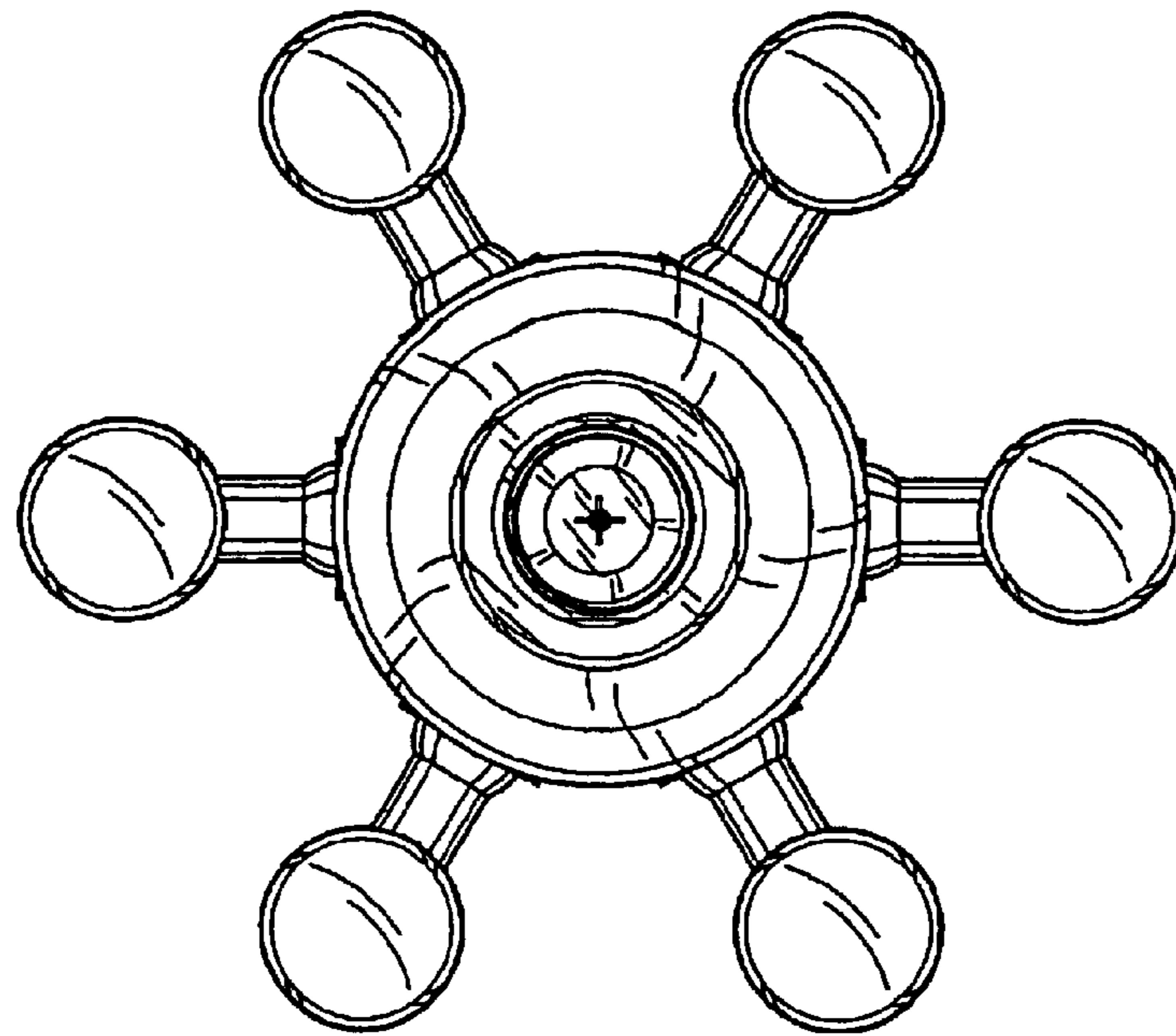


FIG. 6

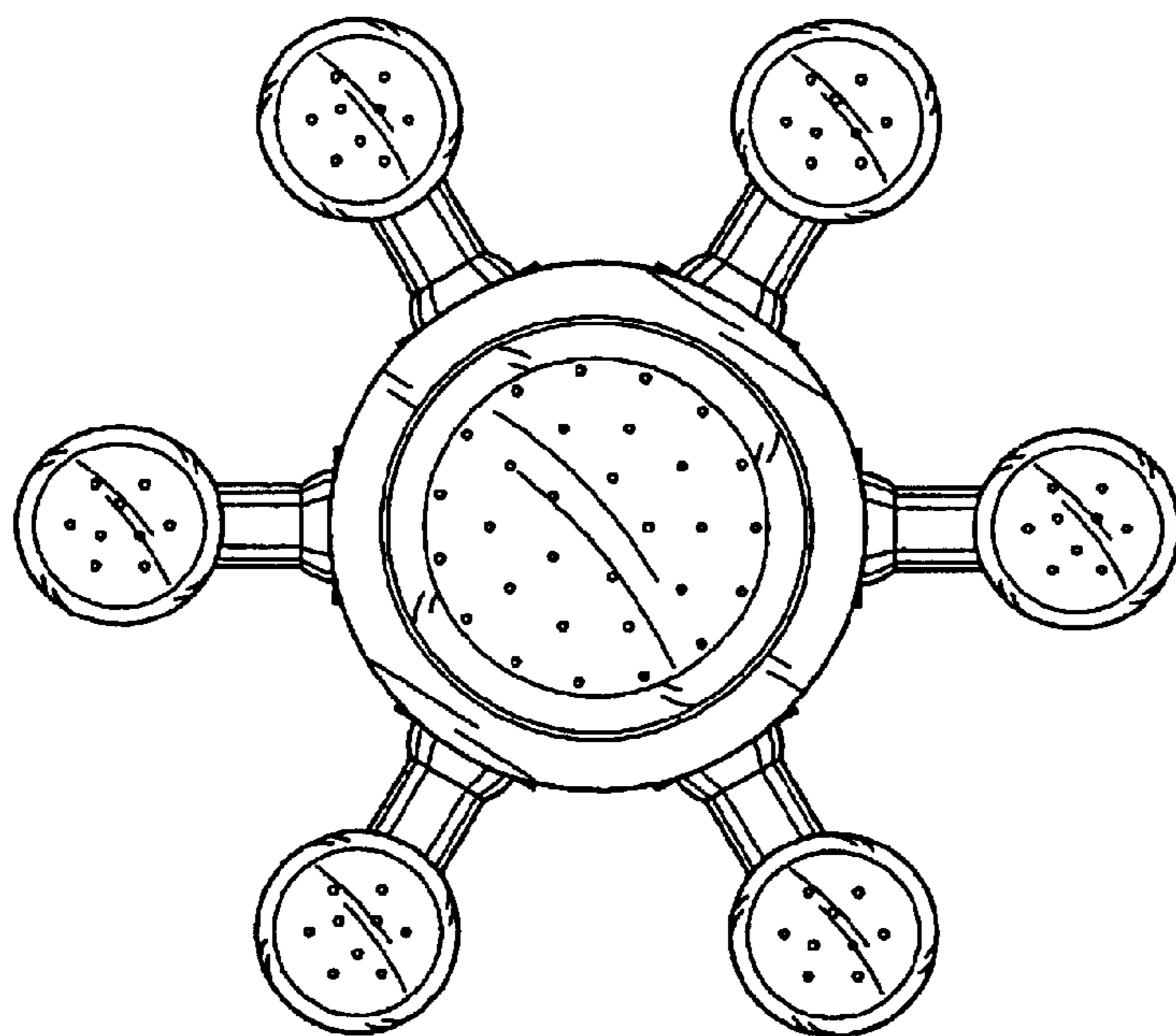


FIG. 7