

US00D494653S1

(12) **United States Design Patent**
Long

(10) **Patent No.:** **US D494,653 S**

(45) **Date of Patent:** **** Aug. 17, 2004**

(54) **COLLAPSIBLE FOUR-DOOR CRAB TRAP**

6,195,931 B1 * 3/2001 Johnson 43/105
D466,964 S 12/2002 Jolliffe D22/121

(76) **Inventor:** **John R. Long**, 269 Hickory Ridge Dr.,
Queenstown, MD (US) 21658

* cited by examiner

(**) **Term:** **14 Years**

Primary Examiner—Catherine R. Oliver

(74) *Attorney, Agent, or Firm*—Rosenberg, Klein & Lee

(21) **Appl. No.:** **29/188,903**

(57) **CLAIM**

(22) **Filed:** **Aug. 27, 2003**

The ornamental design for a collapsible four-door crab trap,
as shown and described.

(51) **LOC (7) Cl.** **22-06**

(52) **U.S. Cl.** **D22/121**

(58) **Field of Search** D22/121, 119–125;
45/55; 43/100–105

DESCRIPTION

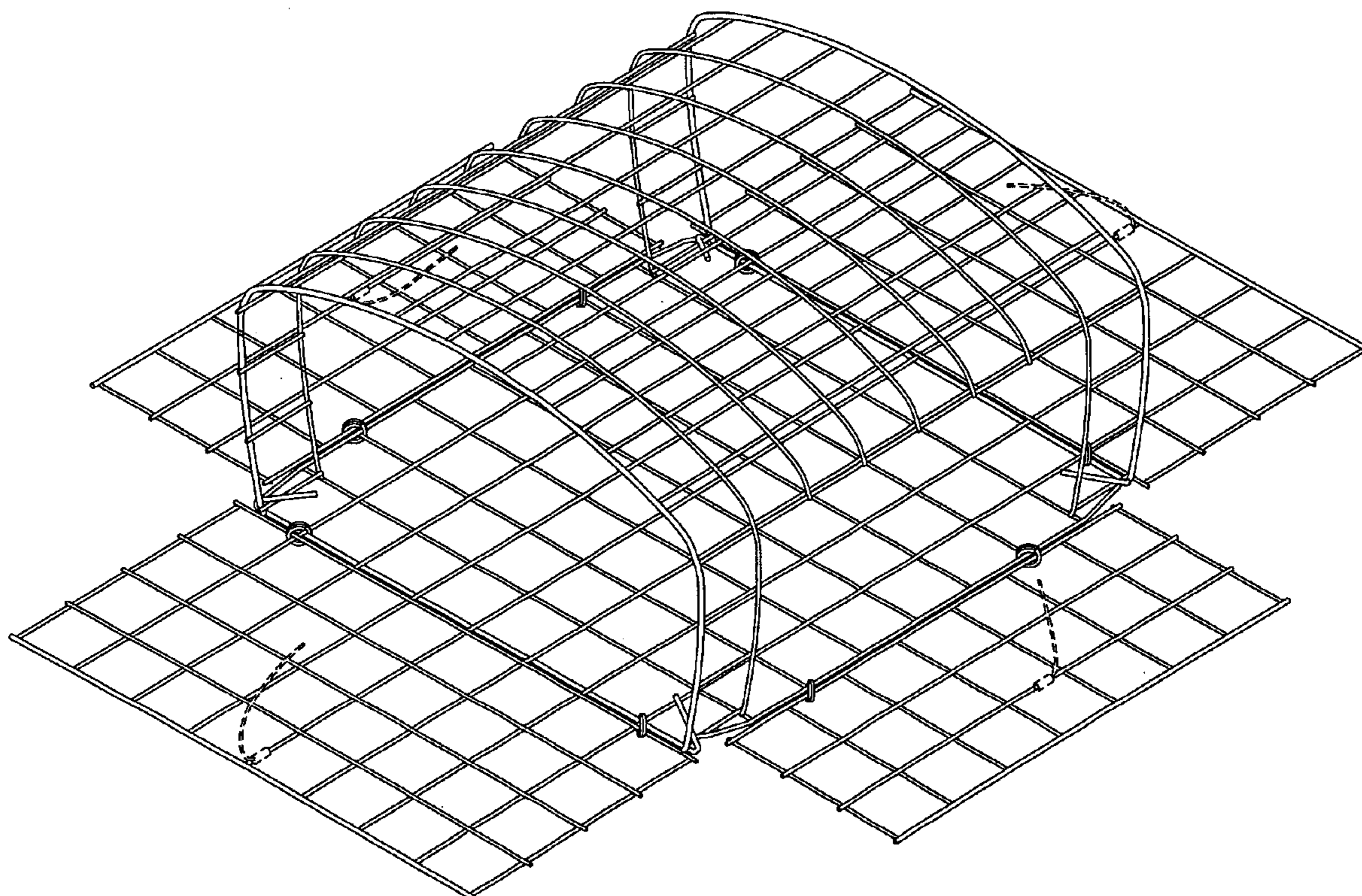
(56) **References Cited**

U.S. PATENT DOCUMENTS

D247,677 S	*	4/1978	Bockhorn	D22/121
D344,318 S		2/1994	Steinman	D22/121
D348,095 S	*	6/1994	Simonson	D22/121
5,353,541 A		10/1994	Jonason et al.	43/105
5,625,978 A		5/1997	Streeper et al.	43/105
D401,994 S		12/1998	Whalley	D22/121
D414,236 S	*	9/1999	Costa	D22/121
5,946,850 A	*	9/1999	Sarkisyan	43/100

FIG. 1 is a perspective view of a collapsible four-door crab trap, showing my new design;
FIG. 2 is a side elevation view thereof;
FIG. 3 is an end elevation view thereof;
FIG. 4 is a top plan view thereof;
FIG. 5 is a bottom plan view thereof; and,
FIG. 6 is a perspective view showing the collapsible four-door crab trap in a collapsed state.
The broken lines shown in FIGS. 1–5 are provided for showing the collapsible four-door crab trap in its environment and form no part of the design.

1 Claim, 6 Drawing Sheets



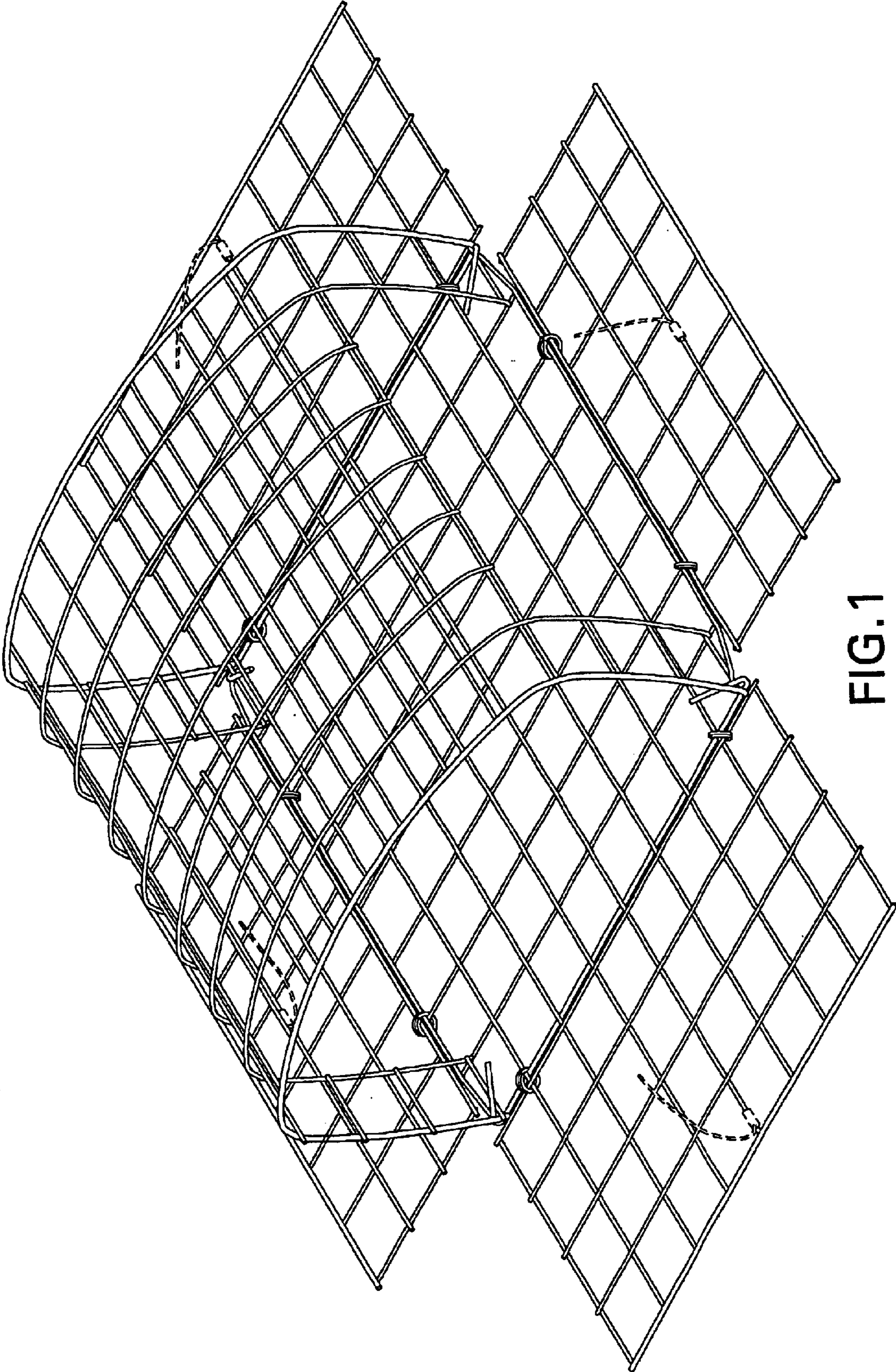


FIG. 1

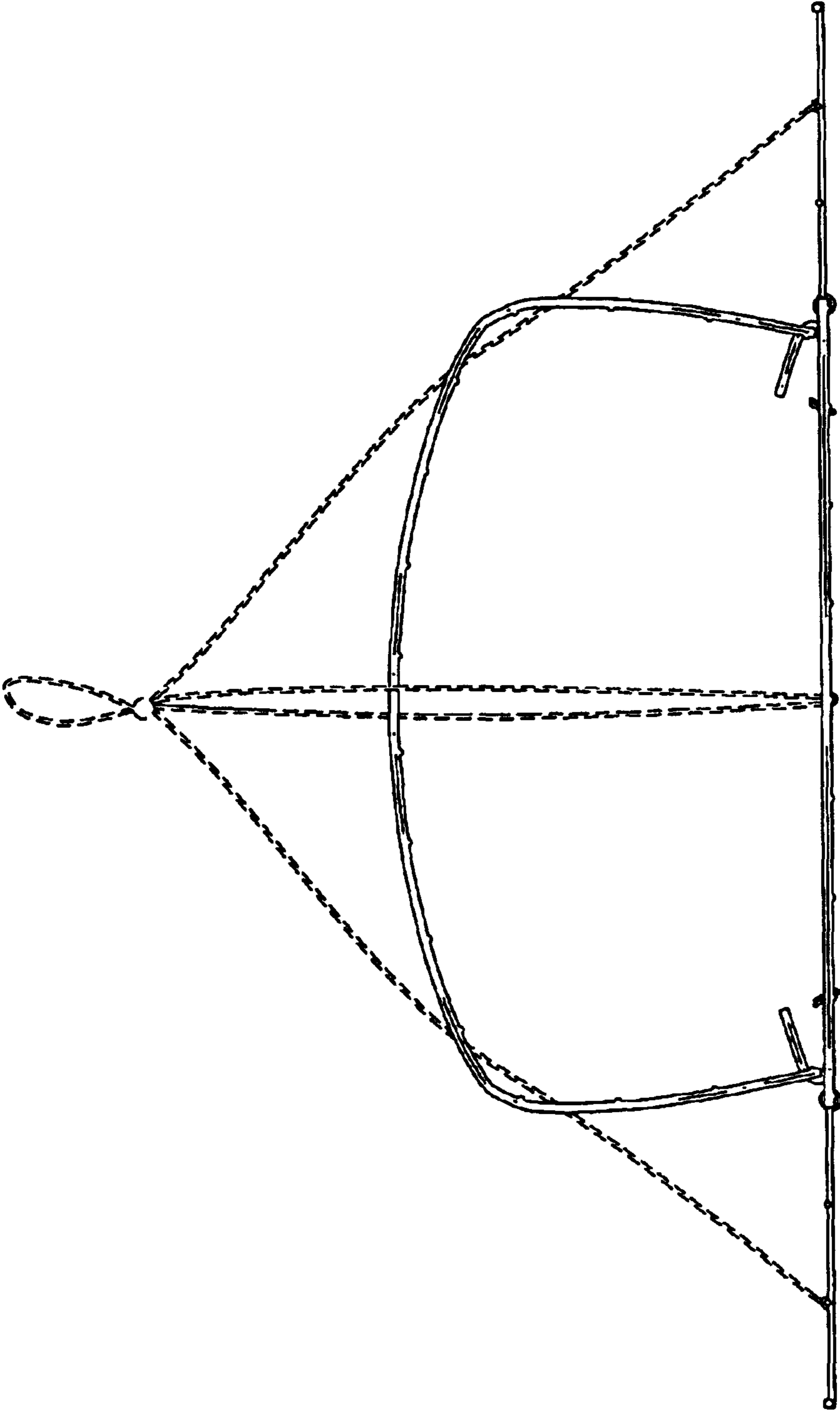


FIG. 2

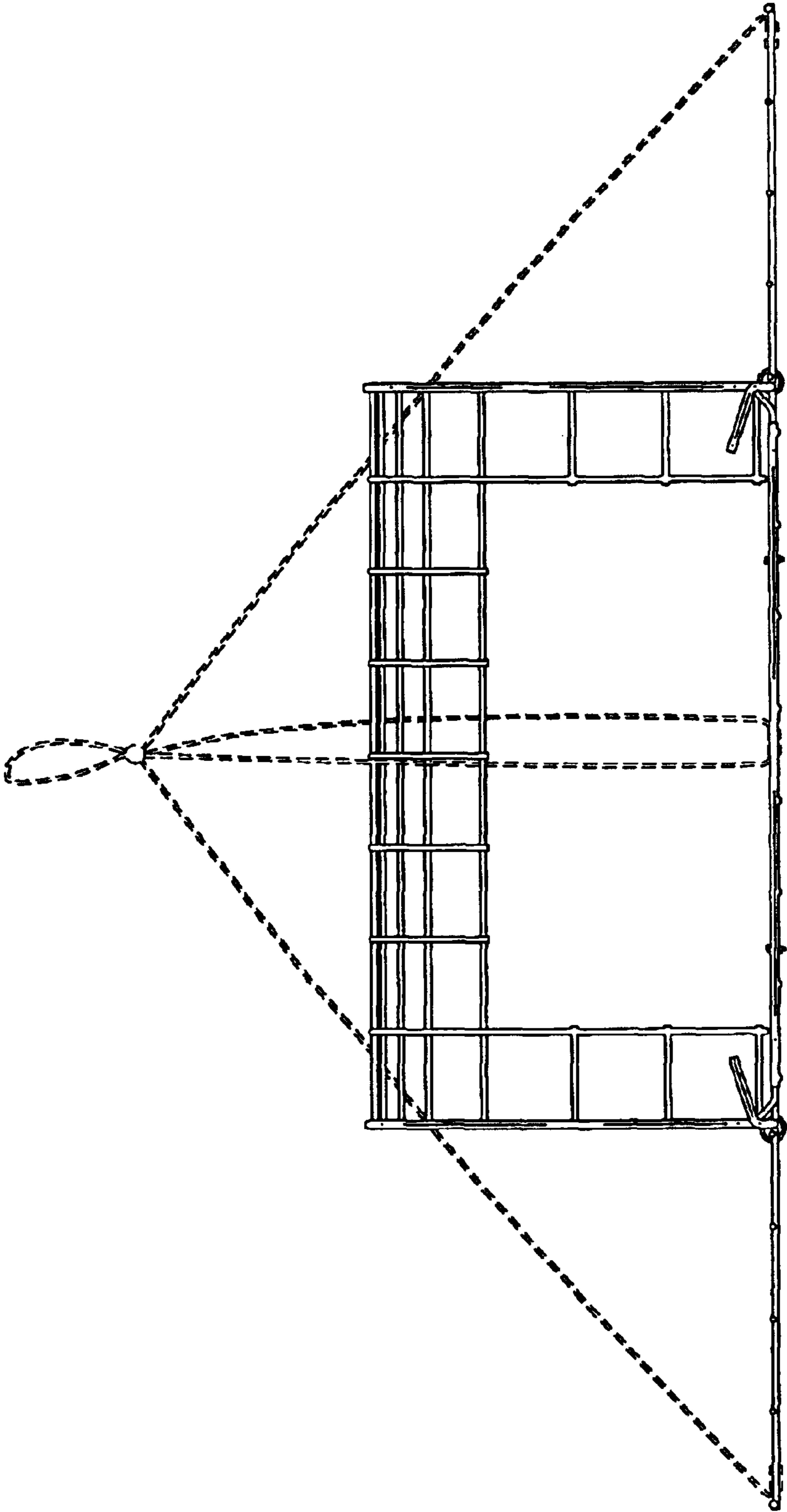


FIG. 3

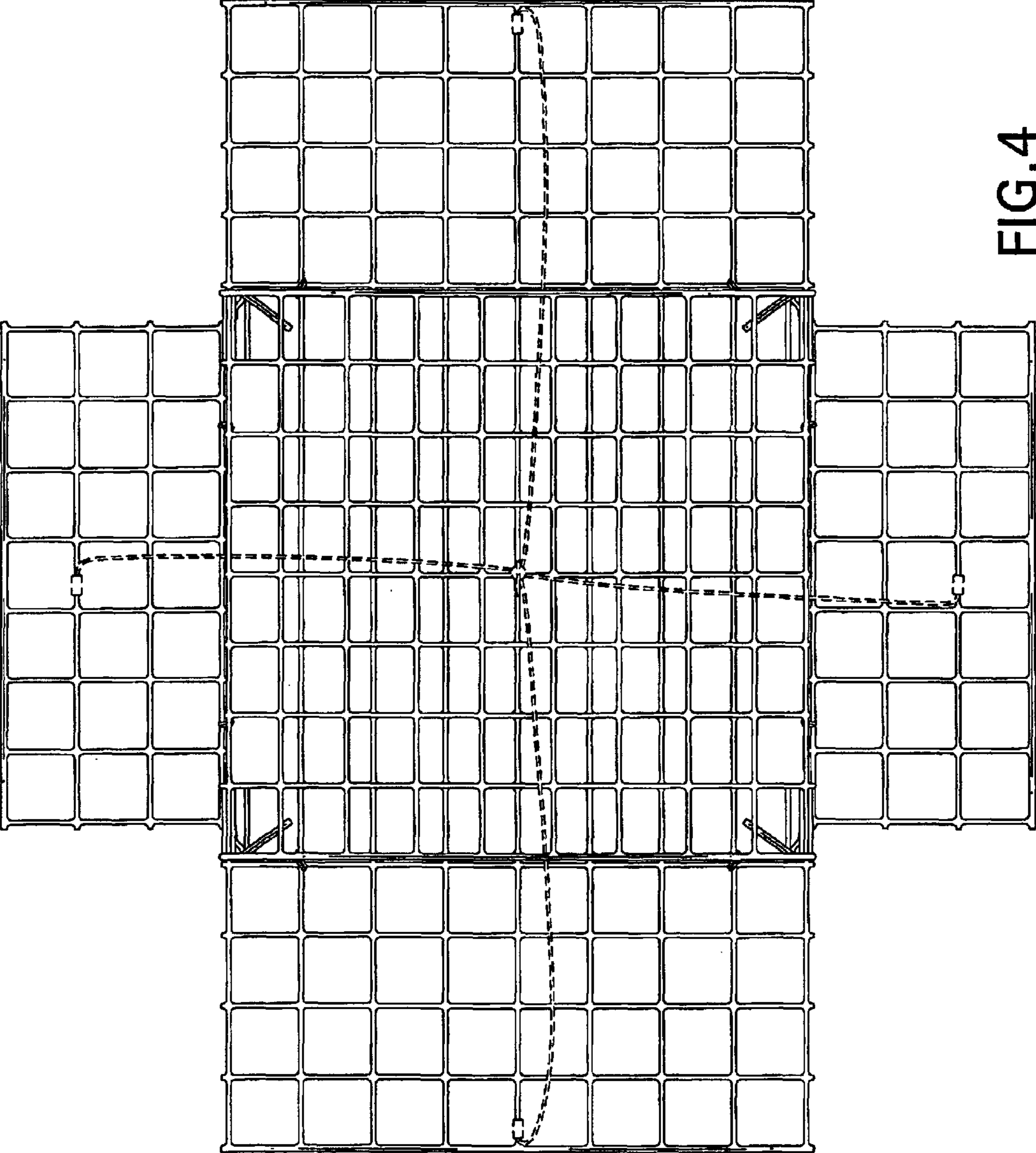


FIG.4

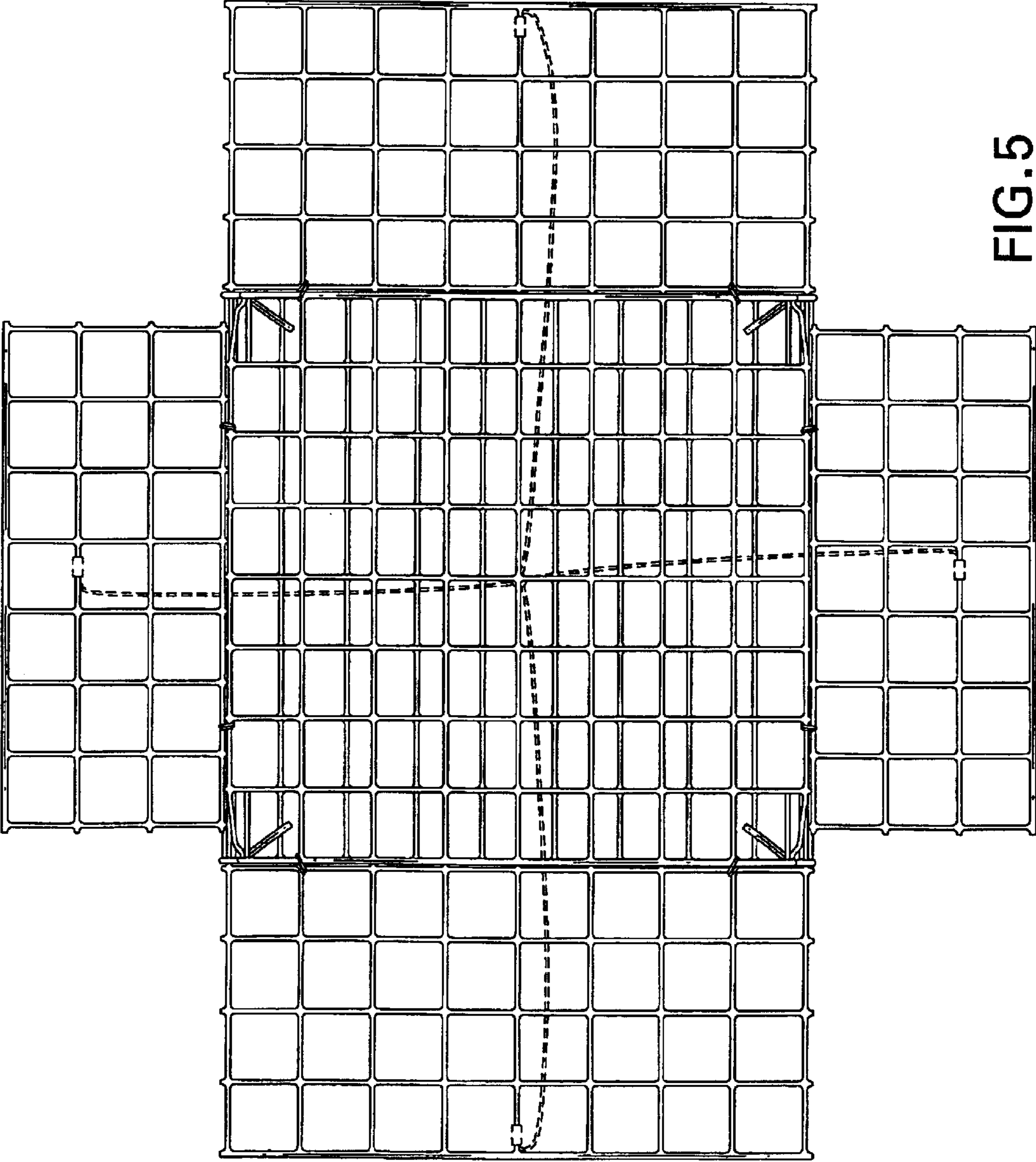


FIG. 5

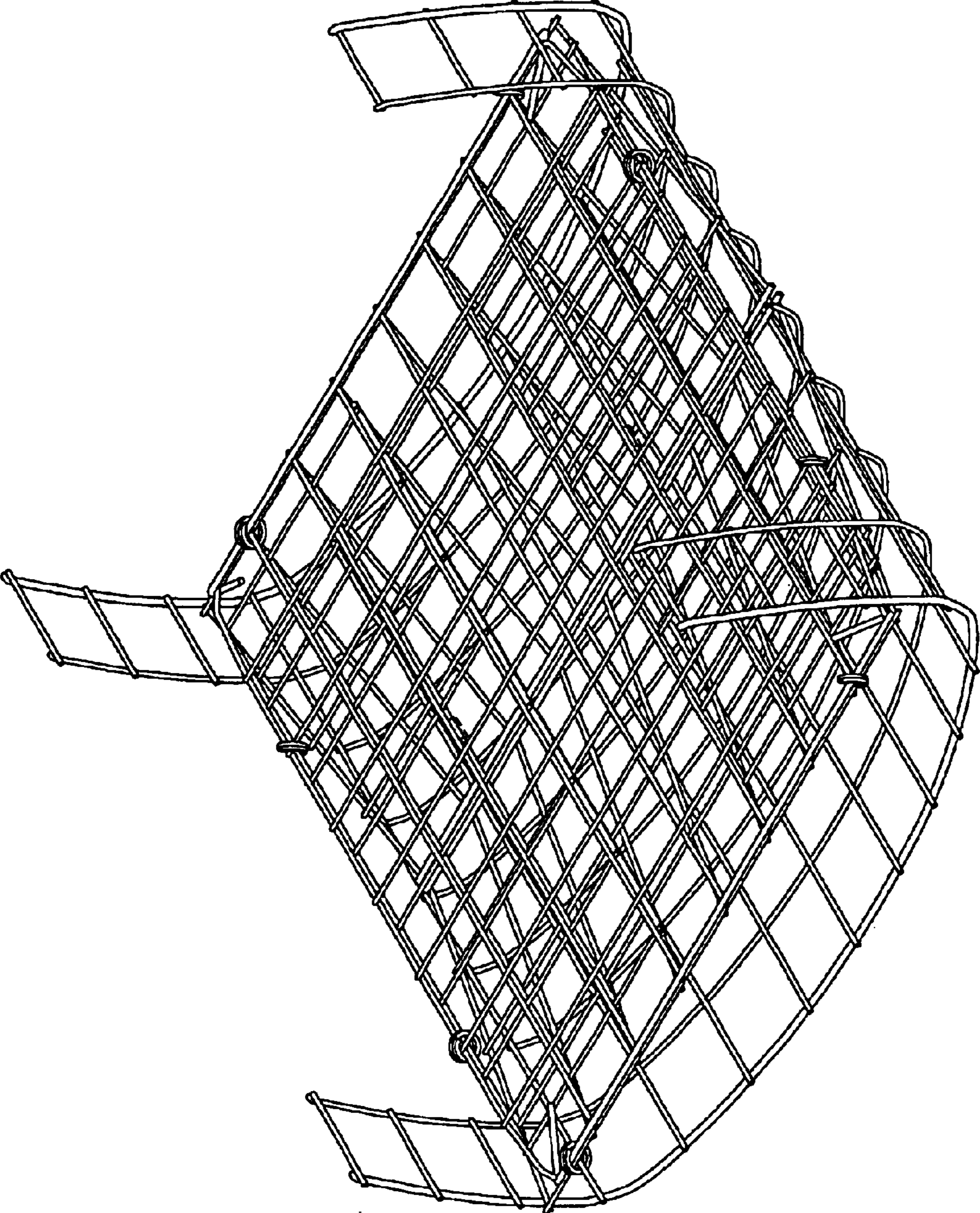


FIG. 6