

US00D494645S1

(12) **United States Design Patent**
Otomi et al.

(10) **Patent No.:** **US D494,645 S**

(45) **Date of Patent:** **** Aug. 17, 2004**

(54) **GYMNASTIC APPARATUS**

(75) Inventors: **Makiko Otomi**, Chiyoda-ku (JP);
Hiroyuki Muraki, Chiyoda-ku (JP);
Hirofumi Nagao, Chiyoda-ku (JP);
Takuya Nakano, Chiyoda-ku (JP)

(73) Assignee: **Konami Sports Life Corporation**,
Tokyo (JP)

(**) Term: **14 Years**

(21) Appl. No.: **29/175,275**

(22) Filed: **Jan. 31, 2003**

(30) **Foreign Application Priority Data**

Aug. 19, 2002 (JP) 2002-021999

(51) **LOC (7) Cl.** **21-02**

(52) **U.S. Cl.** **D21/662; D21/668; D21/688**

(58) **Field of Search** **D21/662, 668,**
D21/670; 482/51, 52, 71, 79, 145, 146

(56) **References Cited**

U.S. PATENT DOCUMENTS

D339,837 S * 9/1993 Hall et al. D21/670

D354,099 S * 1/1995 Gerschefske et al. D21/668
5,695,439 A * 12/1997 Lin 482/146
D392,701 S * 3/1998 Piaget D21/670
D403,382 S * 12/1998 Piaget D21/670
5,888,182 A * 3/1999 Shih 482/147

* cited by examiner

Primary Examiner—Philip S. Hyder

(74) *Attorney, Agent, or Firm*—Jordan and Hamburg LLP

(57) **CLAIM**

The ornamental design for a gymnastic apparatus, as shown and described.

DESCRIPTION

FIG. 1 is a front perspective view of a gymnastic apparatus;
FIG. 2 is a front view thereof;
FIG. 3 is a rear view thereof;
FIG. 4 is a right side view thereof, the opposite side being a mirror image of the side shown herein;
FIG. 5 is a top view thereof; and,
FIG. 6 is a bottom view thereof.

1 Claim, 6 Drawing Sheets

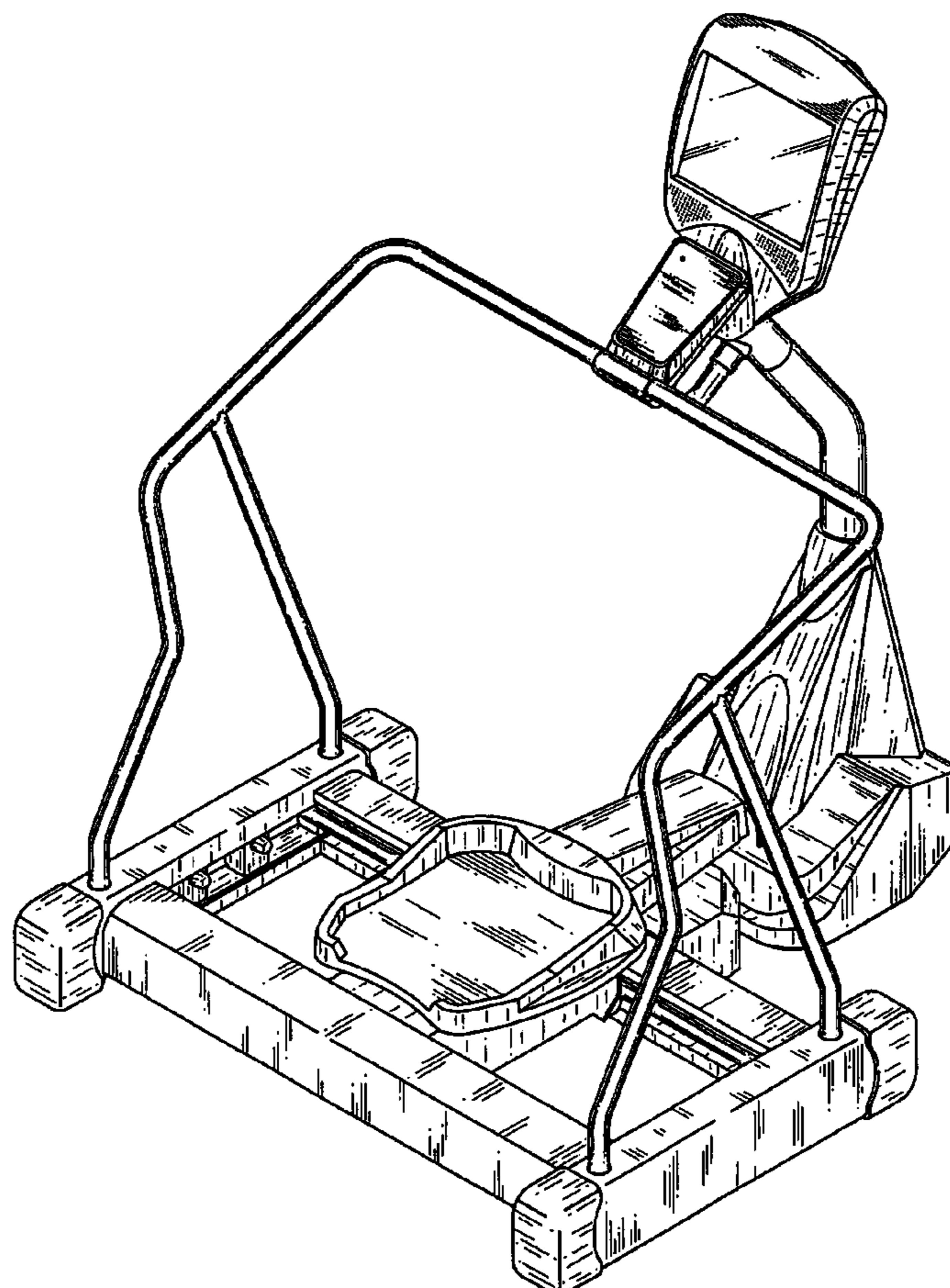


Fig. 1

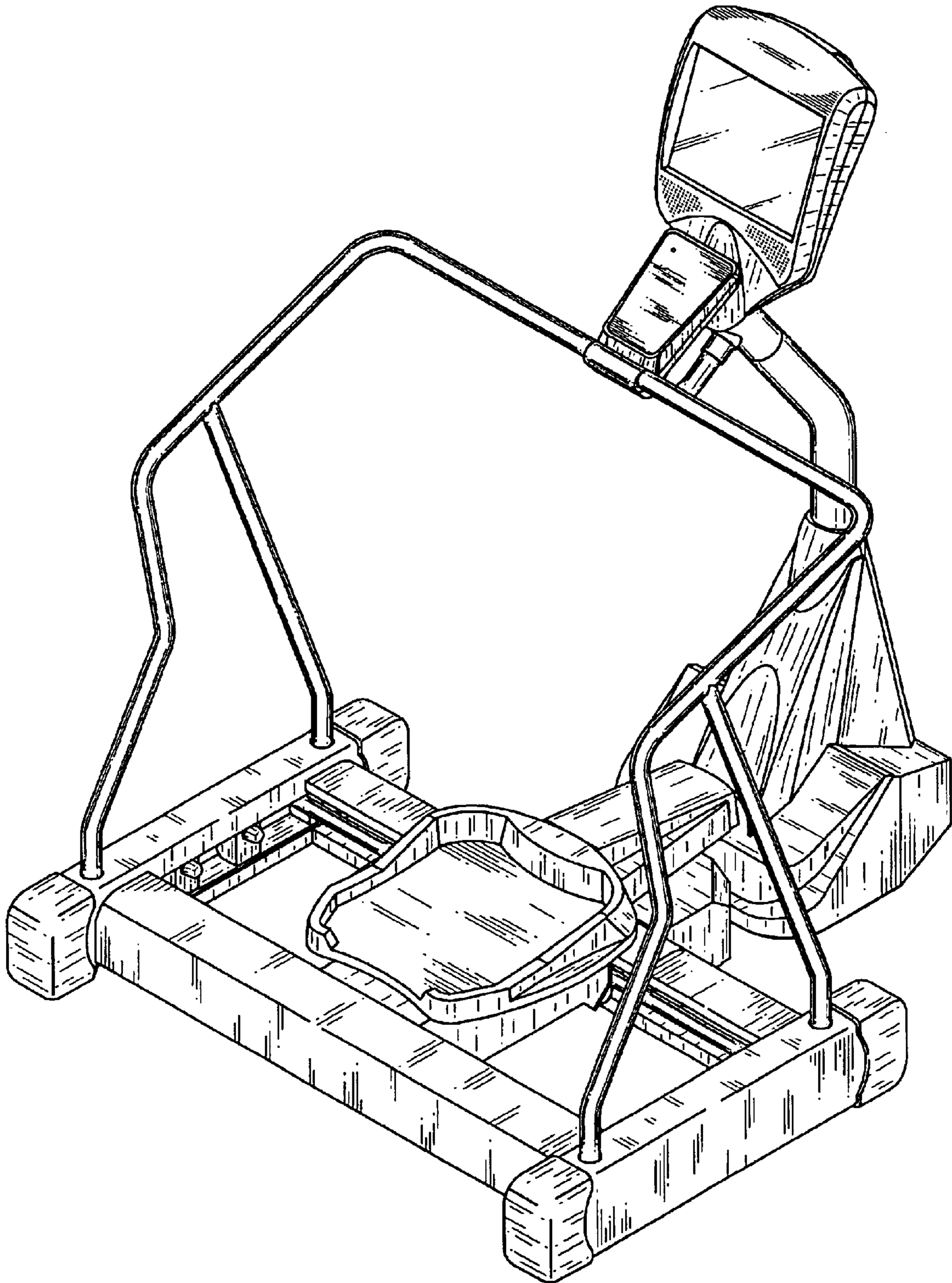


Fig. 2

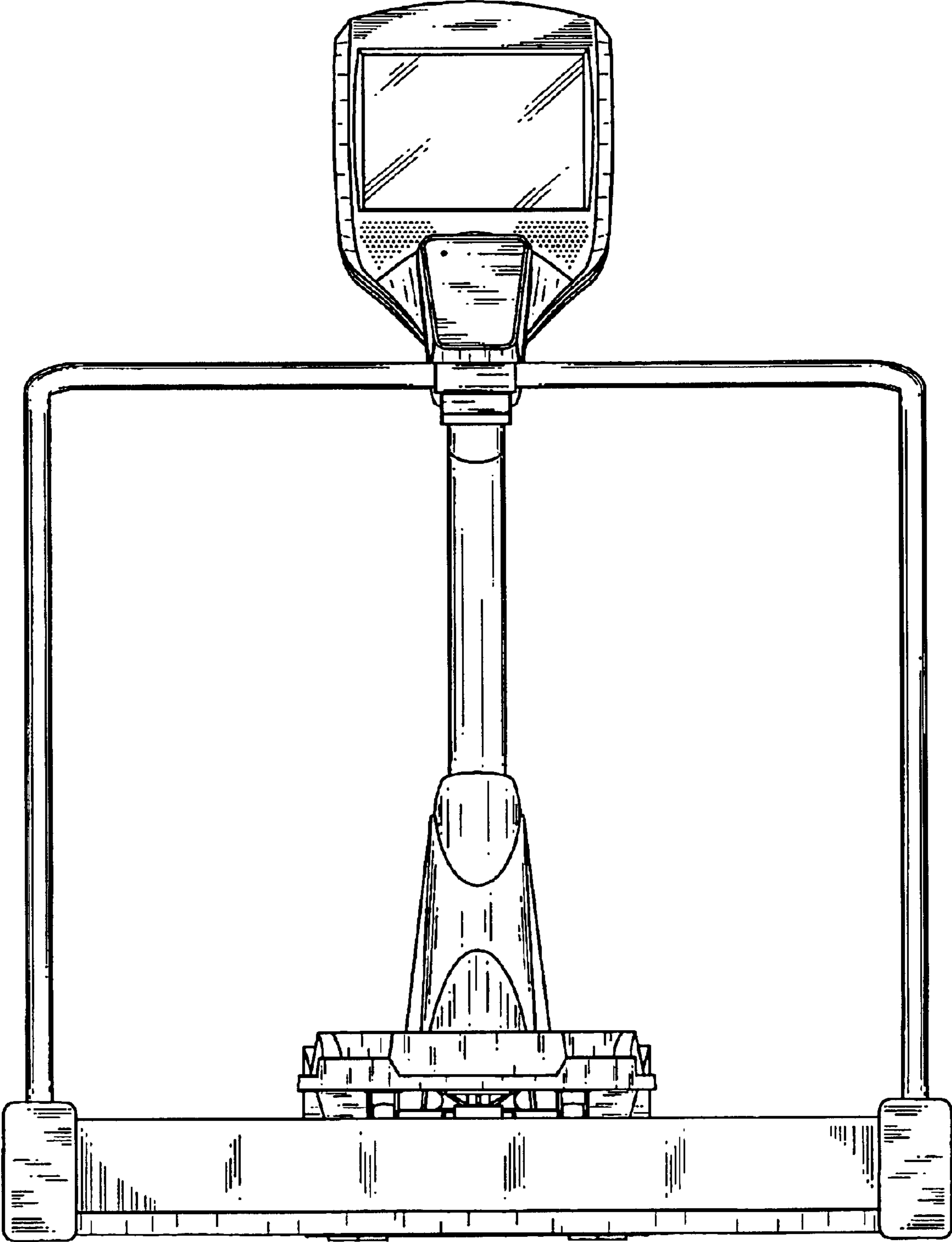


Fig. 3

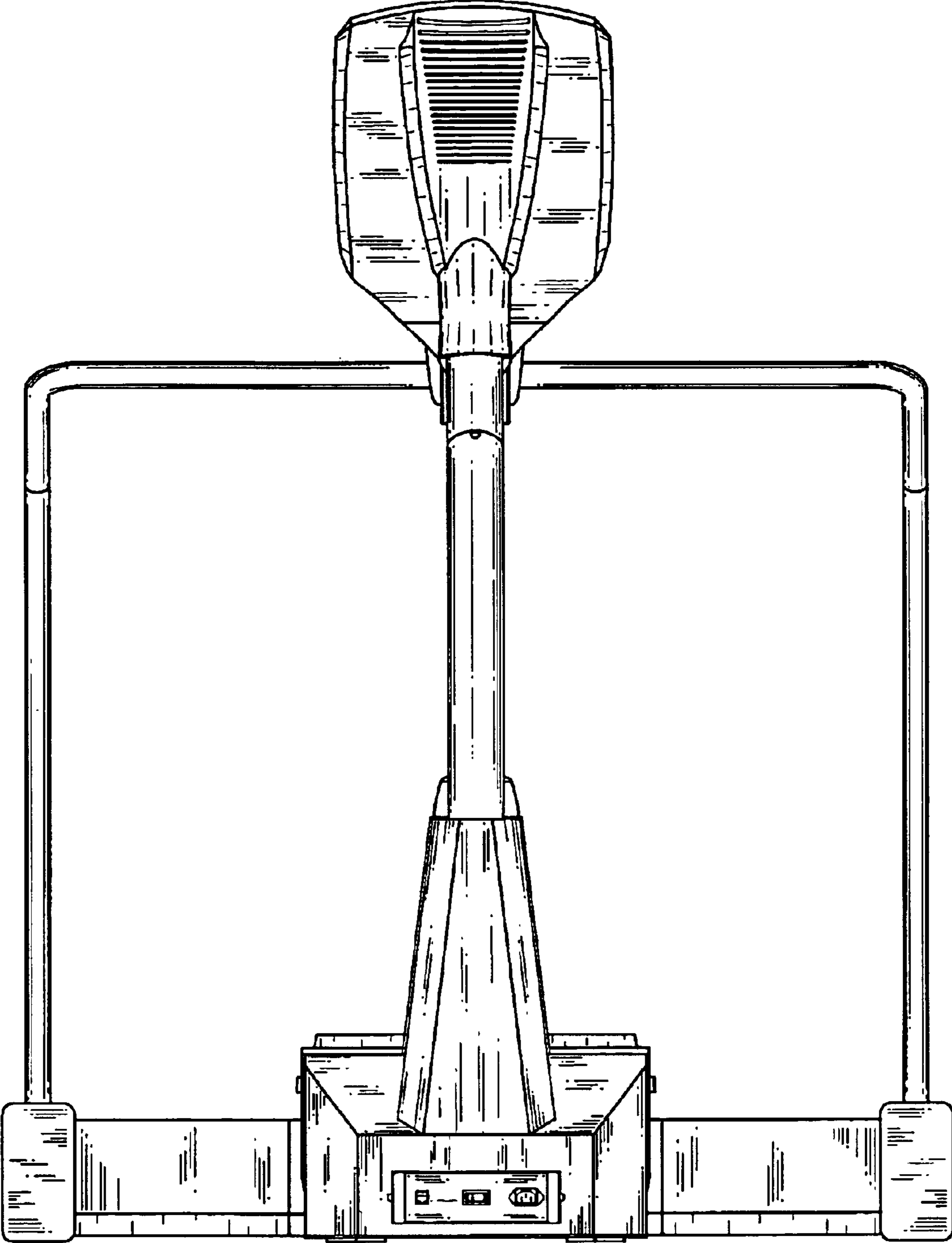


Fig. 4

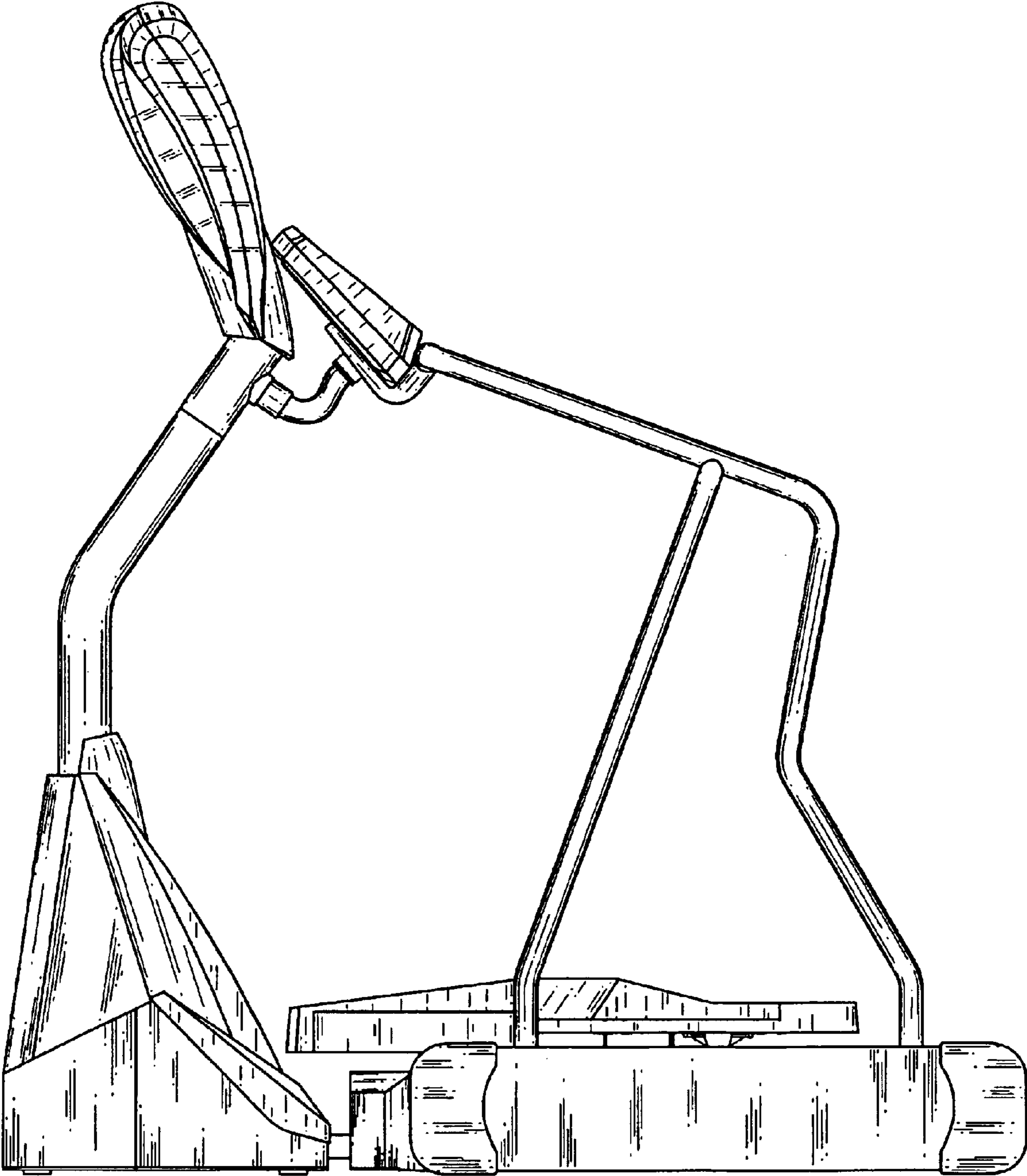


Fig. 5

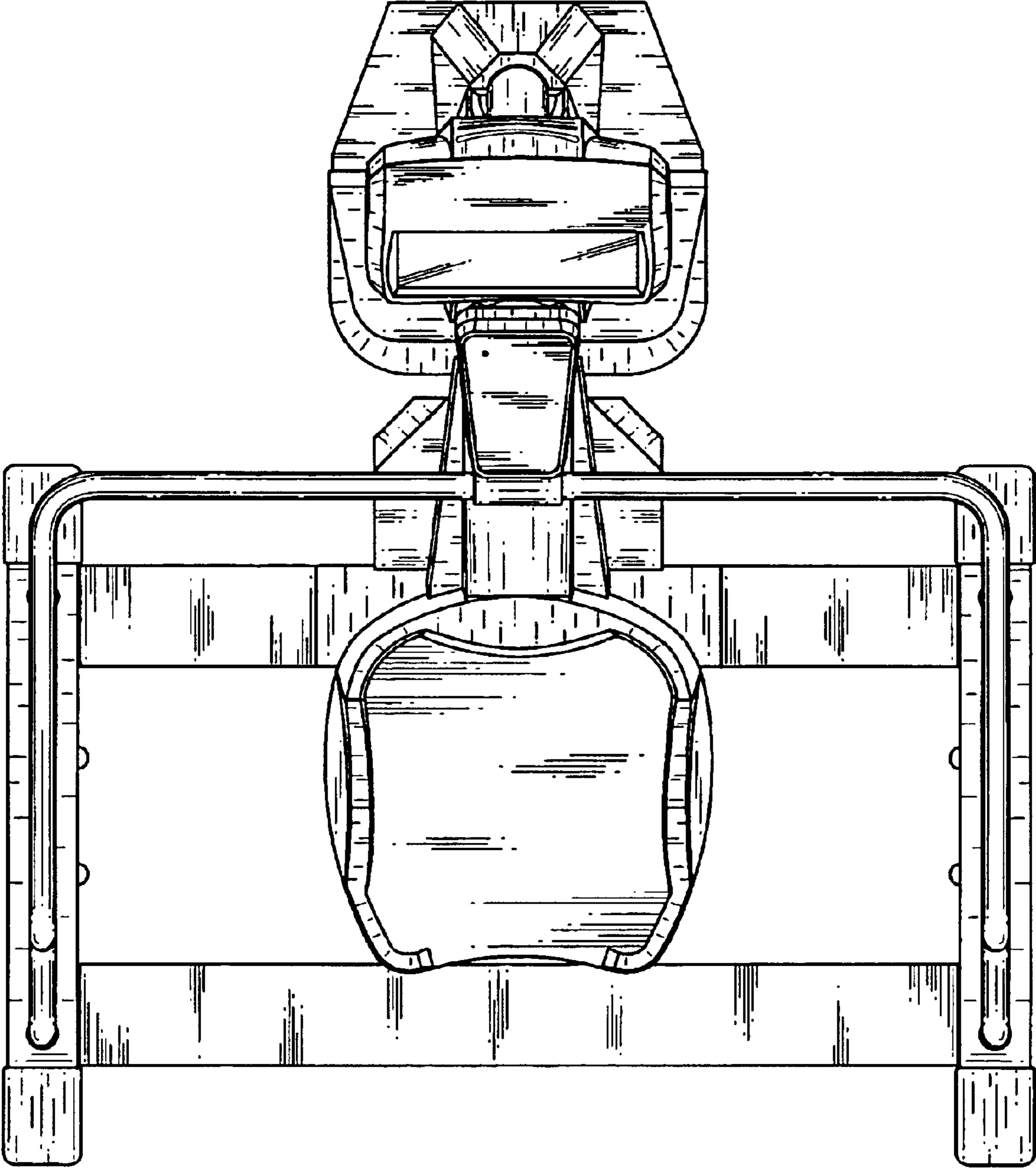


Fig. 6

