

US00D494640S1

(12) **United States Design Patent**  
**Tilbor et al.**

(10) **Patent No.:** **US D494,640 S**

(45) **Date of Patent:** **\*\* Aug. 17, 2004**

(54) **FLYING TOY**

(75) Inventors: **Neil Tilbor**, New Smyrna Beach, FL (US); **Michael Hetman**, New Smyrna Beach, FL (US); **Charles Sink**, Friday Harbor, WA (US)

(73) Assignee: **Leynian Ltd. Co.**, New Smyrna Beach, FL (US)

(\*\*) Term: **14 Years**

(21) Appl. No.: **29/180,394**

(22) Filed: **Apr. 23, 2003**

(51) **LOC (7) Cl.** ..... **21-01**

(52) **U.S. Cl.** ..... **D21/441**

(58) **Field of Search** ..... D21/436-455,  
D21/458-464; 446/34-68; 473/569-571,  
588-590

(56) **References Cited**

**U.S. PATENT DOCUMENTS**

1,802,386 A \* 4/1931 Kline ..... 446/40  
2,793,829 A \* 5/1957 Brumfield ..... 244/153 A  
D231,851 S \* 6/1974 Friedman ..... D21/443

4,772,030 A \* 9/1988 Hunt ..... 473/590  
5,030,157 A \* 7/1991 Silvergate ..... 446/48  
D344,487 S \* 2/1994 Iwamoto ..... D12/214  
5,297,759 A \* 3/1994 Tilbor et al. .... 244/17.11  
D480,766 S \* 10/2003 Moon ..... D21/443  
2002/0142699 A1 \* 10/2002 Davis ..... 446/37

\* cited by examiner

*Primary Examiner*—Philip S. Hyder

*Assistant Examiner*—C. Tuttle

(74) *Attorney, Agent, or Firm*—Keusey, Tutunjian & Bitetto, P.C.

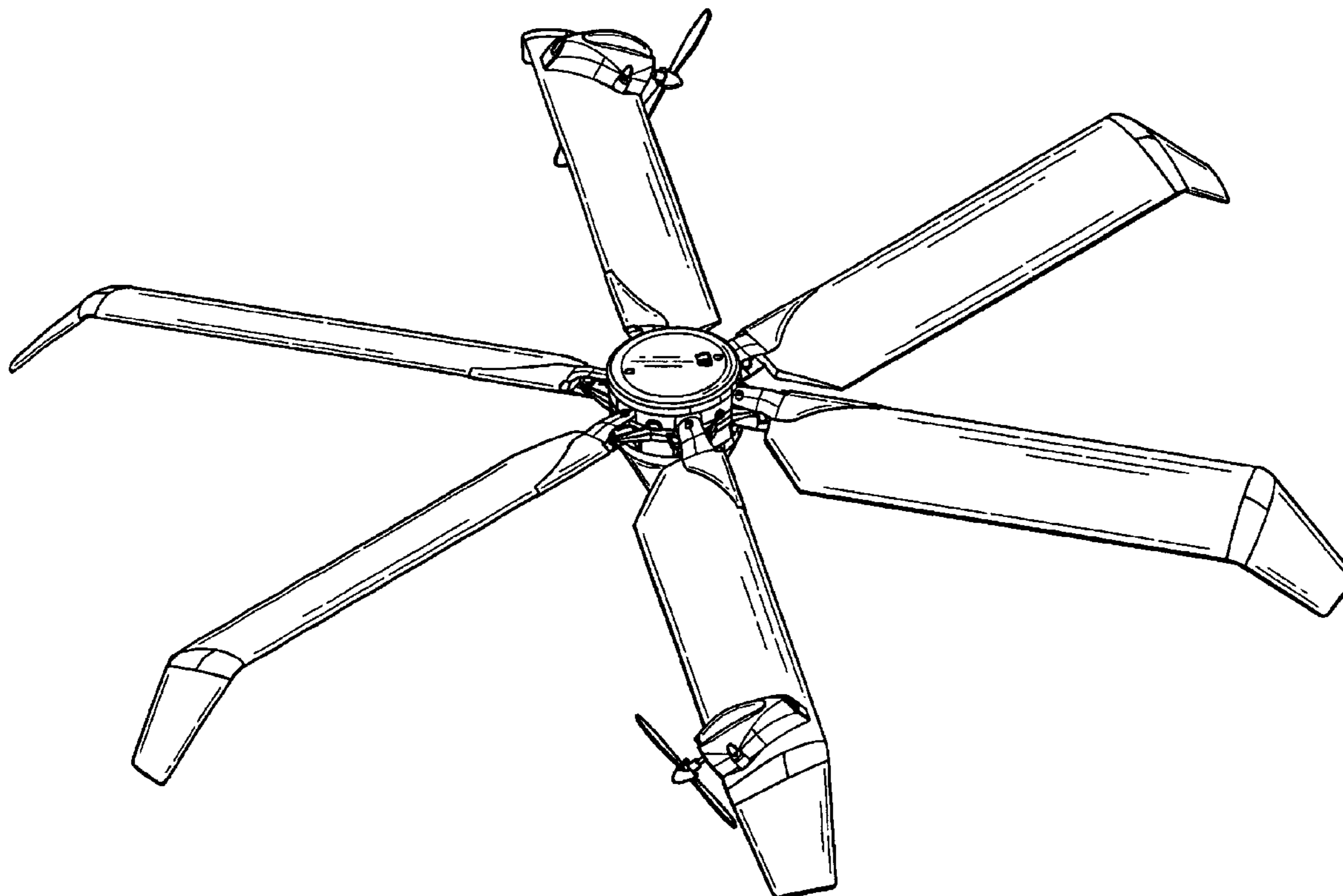
(57) **CLAIM**

The ornamental design for a flying toy, as shown and described.

**DESCRIPTION**

FIG. 1 is a top perspective view of the flying toy showing our new design;  
FIG. 2 is a bottom perspective view thereof;  
FIG. 3 is a top view of the flying toy shown in FIG. 1;  
FIG. 4 is a bottom view thereof; and,  
FIG. 5 is a side view thereof, the opposing side being identical to the side view shown.

**1 Claim, 5 Drawing Sheets**



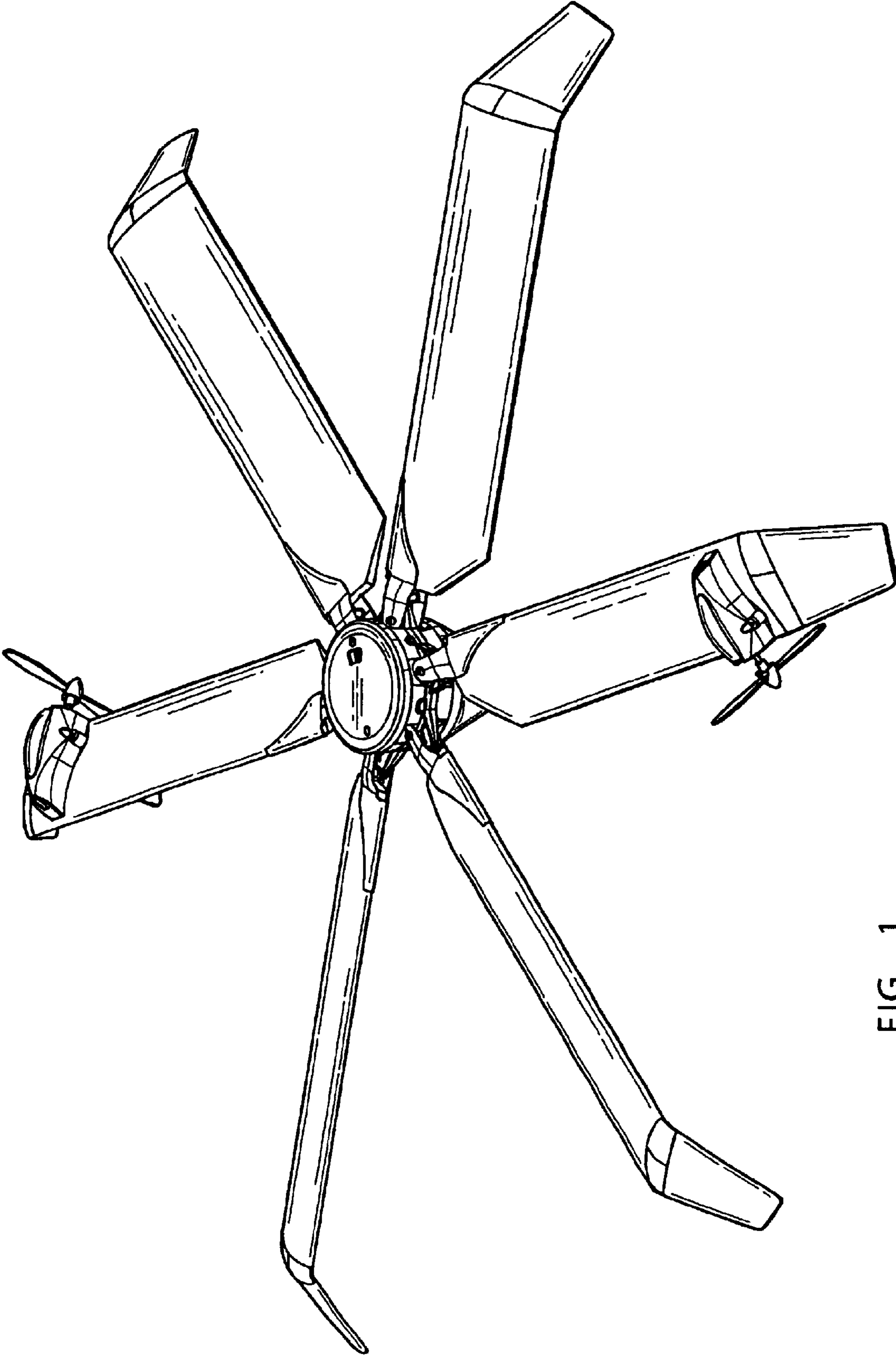


FIG. 1

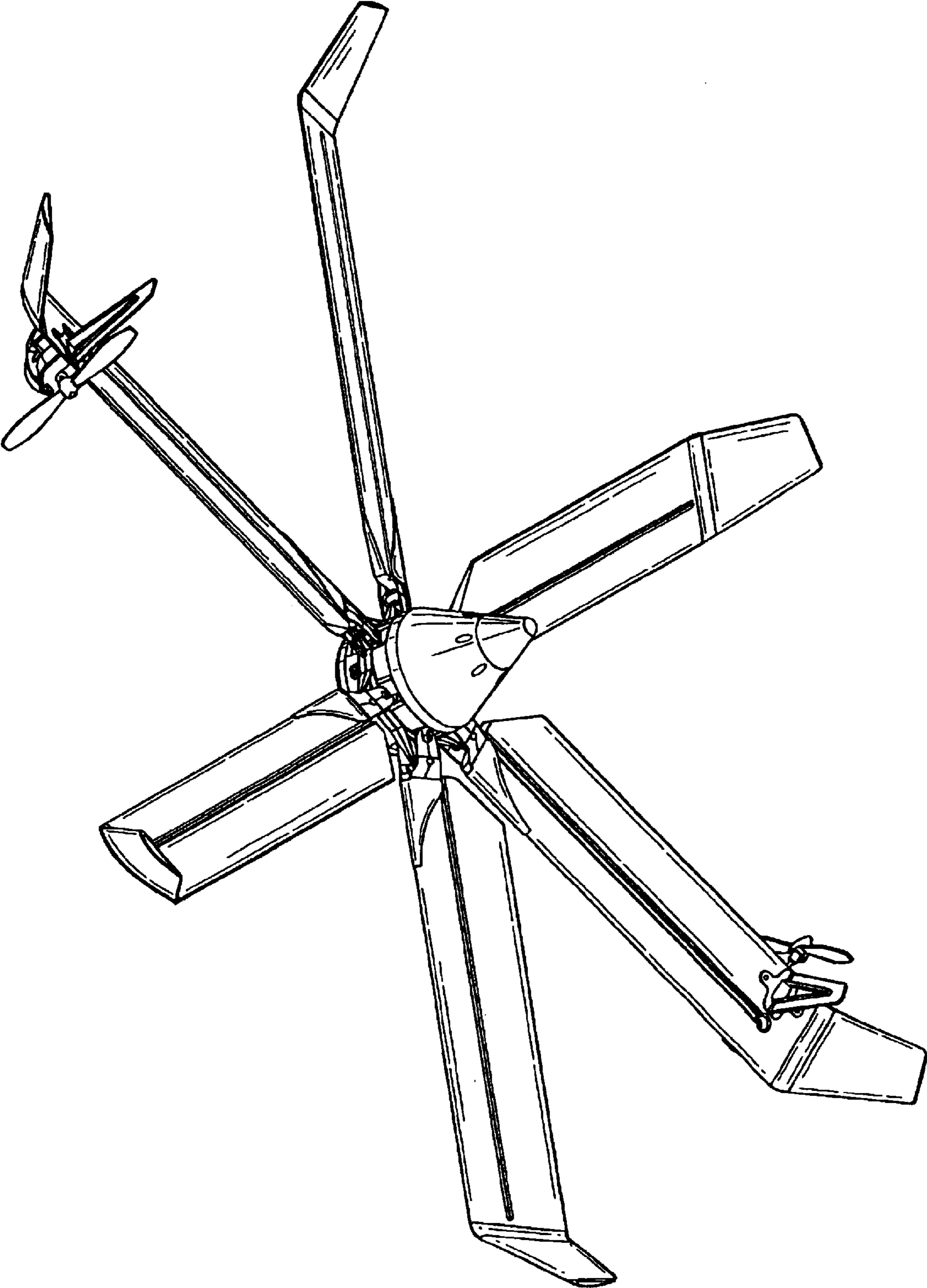


FIG. 2

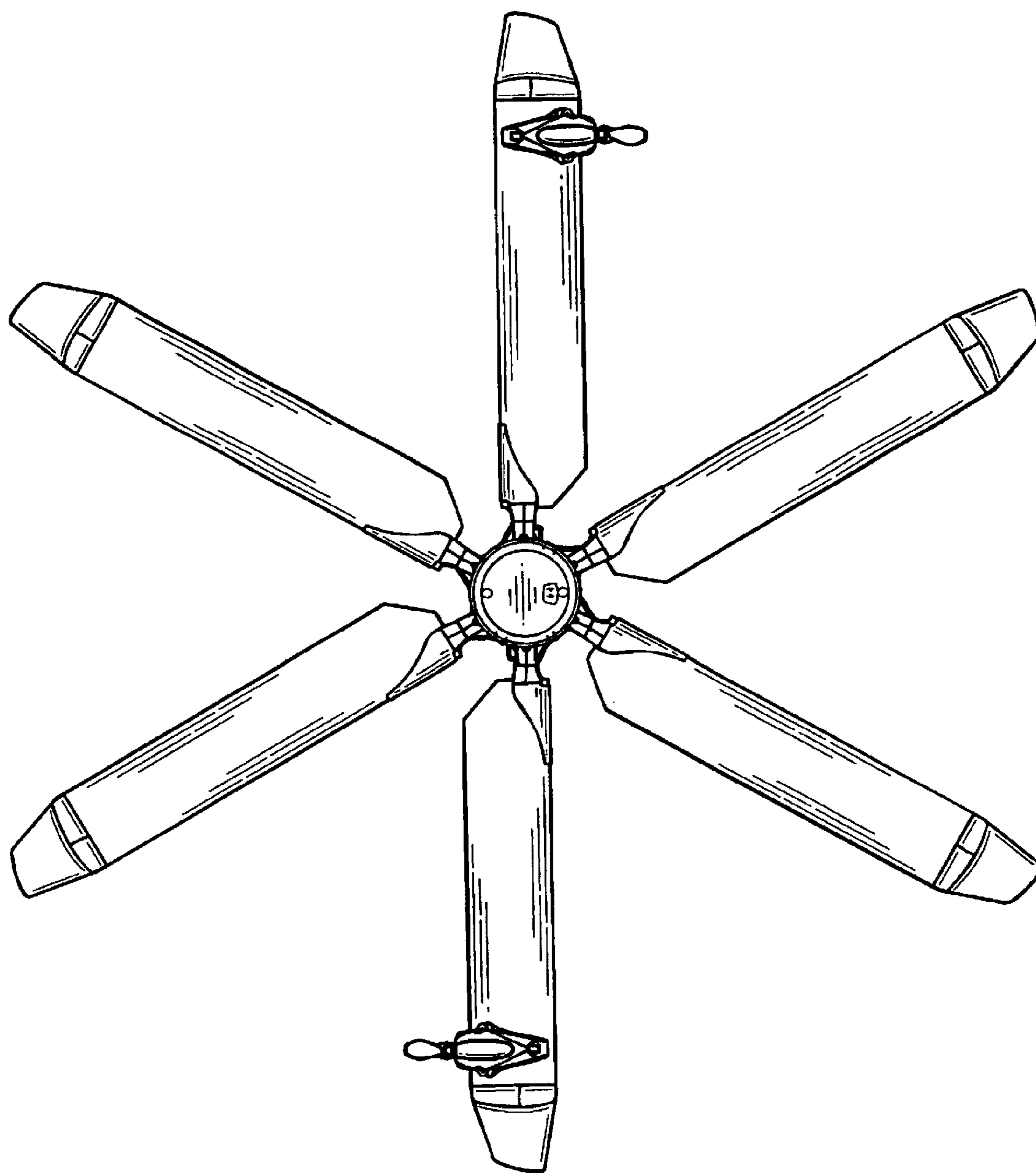


FIG. 3



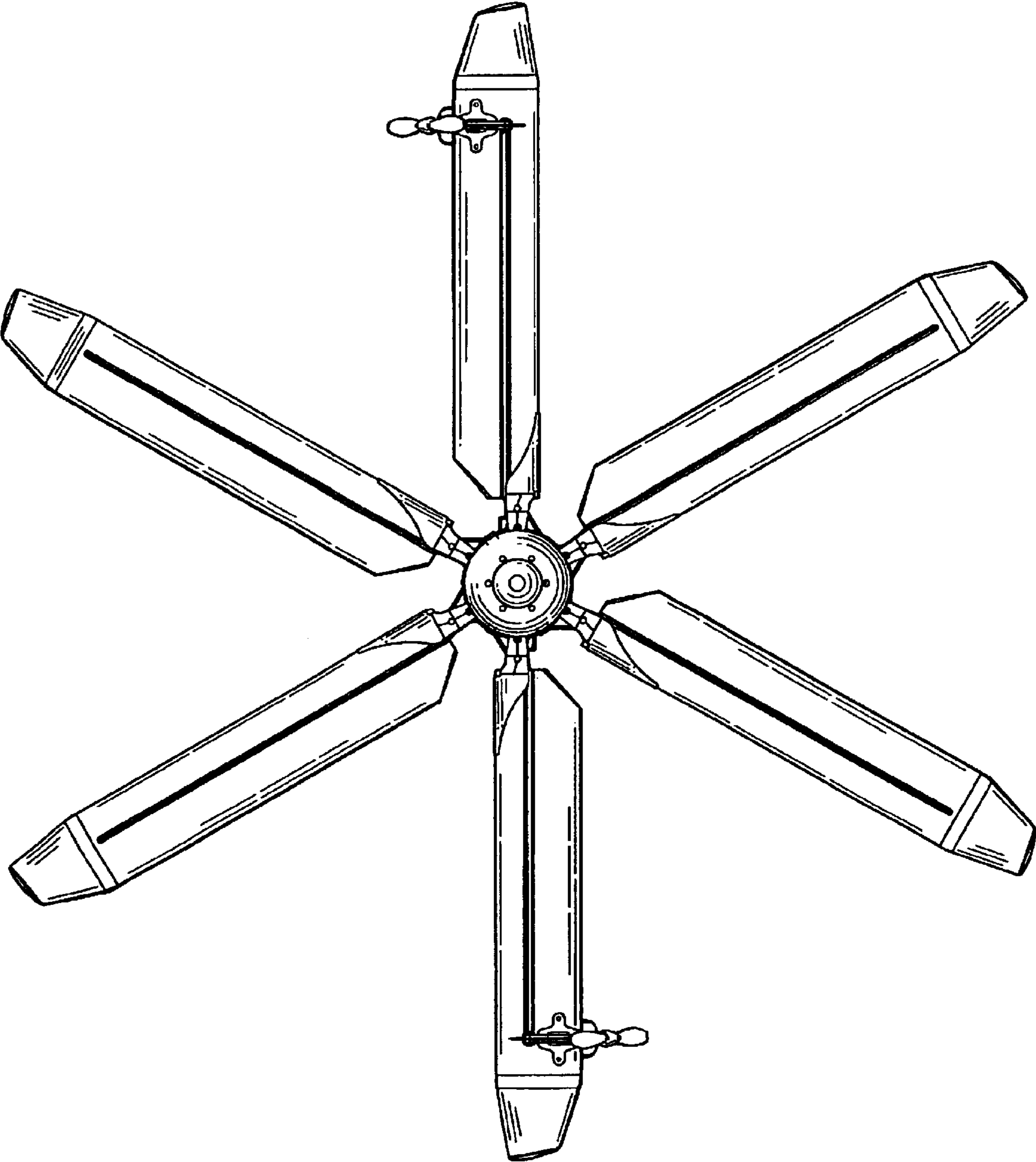


FIG. 4

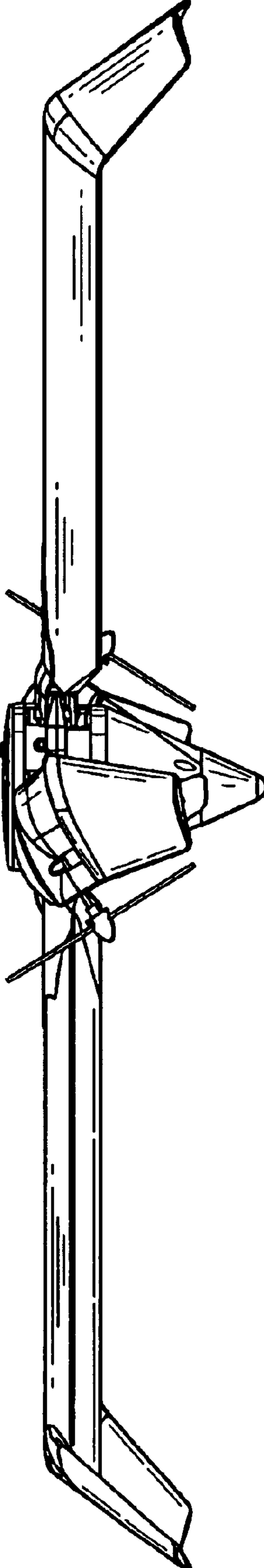


FIG. 5