

US00D494639S1

(12) **United States Design Patent**
Tabor

(10) **Patent No.:** **US D494,639 S**

(45) **Date of Patent:** **** Aug. 17, 2004**

(54) **DRAGON KITE**

(76) Inventor: **Don Tabor**, 30765 Pacific Coast Hwy.,
Malibu, CA (US) 90265

(**) Term: **14 Years**

(21) Appl. No.: **29/167,153**

(22) Filed: **Sep. 9, 2002**

(51) **LOC (7) Cl.** **21-01**

(52) **U.S. Cl.** **D21/438; D21/445**

(58) **Field of Search** D21/436, 438,
D21/439, 445, 449; D11/141, 162, 173;
446/34, 38, 61-68, 487, 490; 244/153 R,
154, 155 R, 155 A

(56) **References Cited**

U.S. PATENT DOCUMENTS

2,060,213 A	*	11/1936	Hippen et al.	446/50
D149,002 S	*	3/1948	Lang	D21/438
4,813,637 A	*	3/1989	Bondestam	244/153 R
4,958,787 A	*	9/1990	Sterling	244/153 R
4,988,320 A	*	1/1991	Rankin et al.	446/62

D318,499 S * 7/1991 Rankin D21/438

* cited by examiner

Primary Examiner—Philip S. Hyder

Assistant Examiner—C. Tuttle

(74) *Attorney, Agent, or Firm*—Cislo & Thomas LLP

(57) **CLAIM**

The ornamental design for a dragon kite, as shown and described herein.

DESCRIPTION

FIG. 1. Is a perspective view of my dragon kite design;

FIG. 2. Is a top view thereof

FIG. 3. Is a bottom view thereof;

FIG. 4. Is a front view thereof;

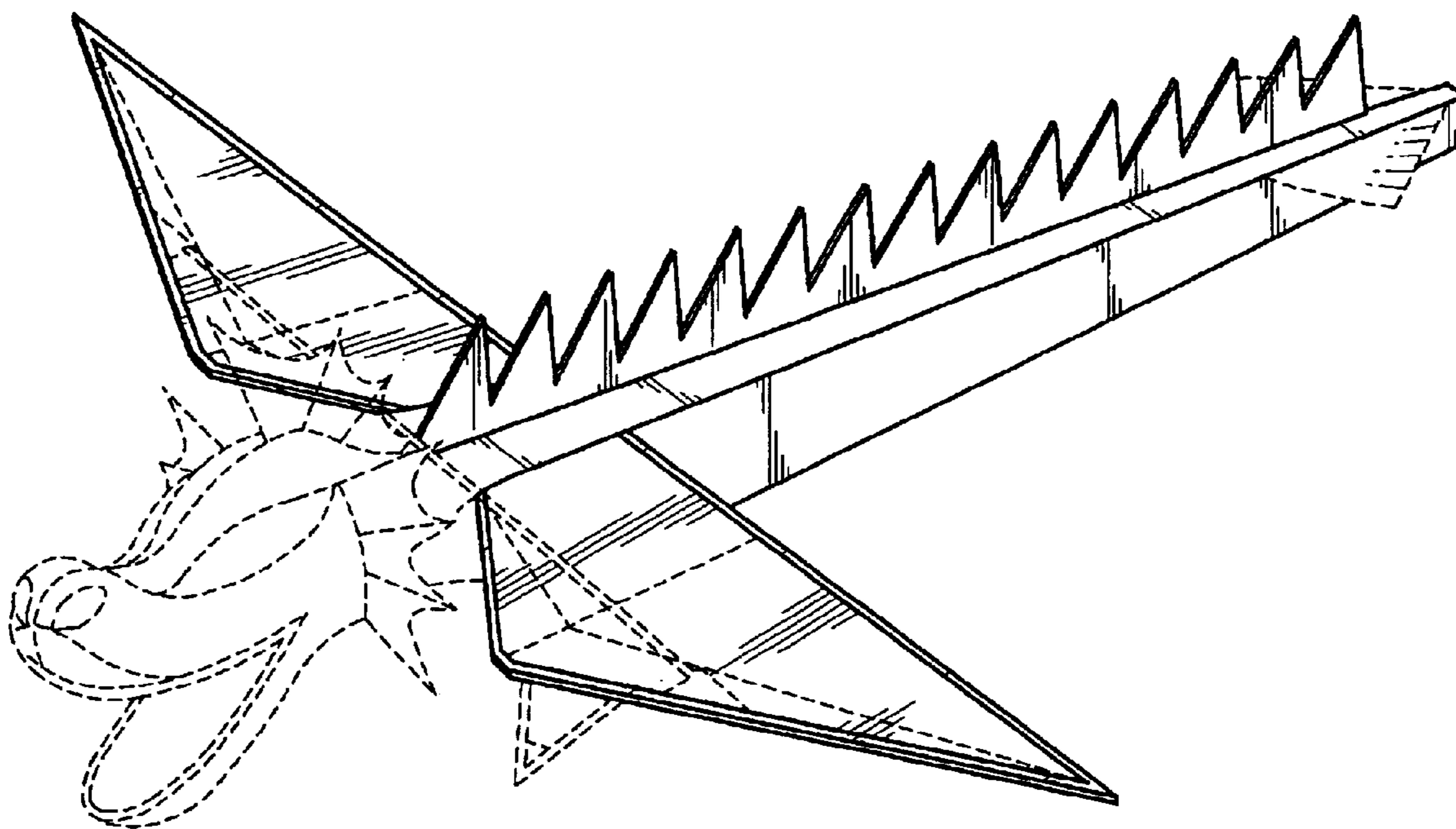
FIG. 5. Is a rear view thereof; and,

FIG. 6. Is a right side view thereof, the left side view being identical thereto.

The elements shown in broken lines showing are for illustrative purposes only and forms no part of the claimed design.

The apparatus within the unshaded central areas of FIGS. 4 and 5 forms no part of the claimed design.

1 Claim, 5 Drawing Sheets



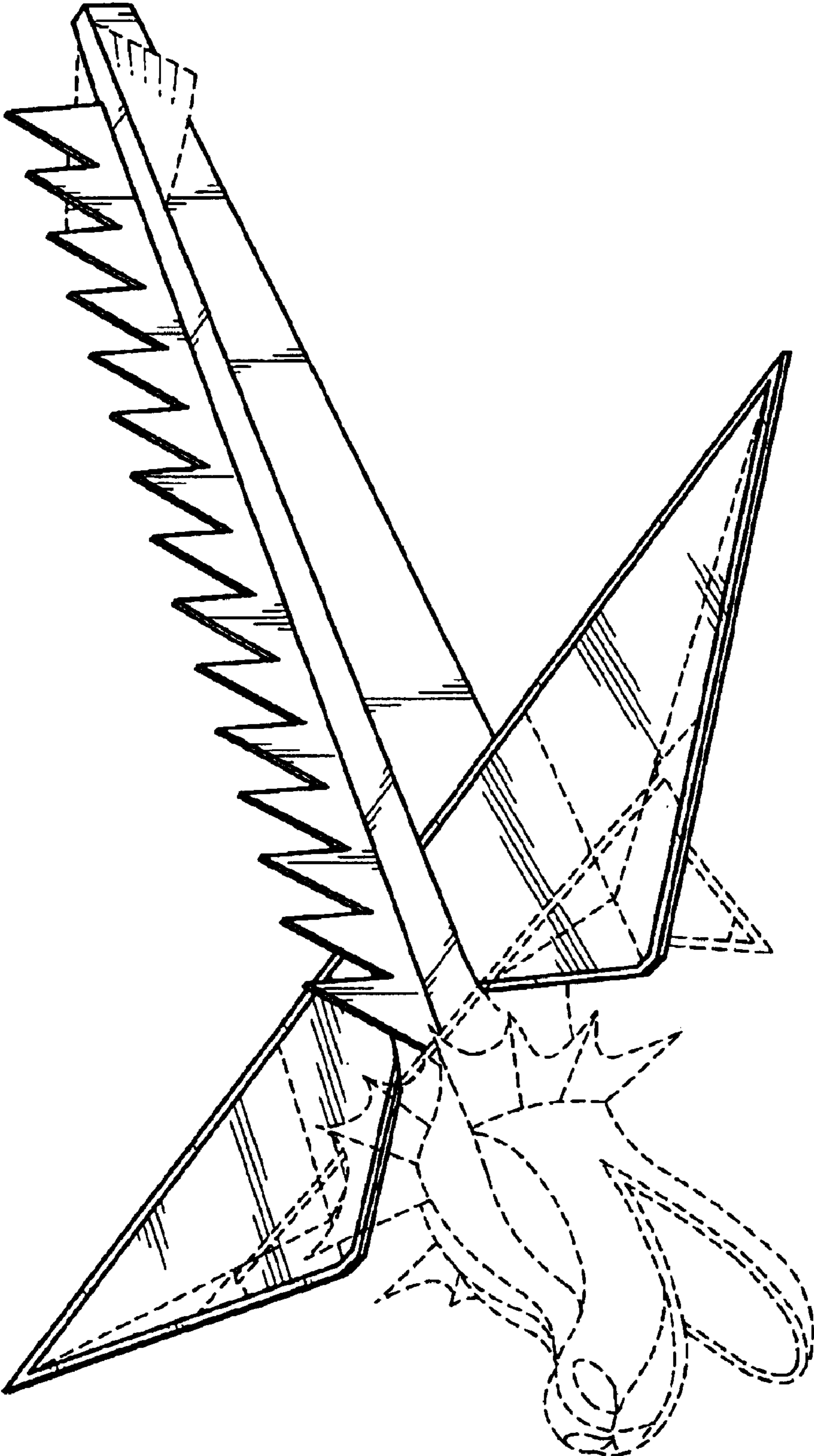
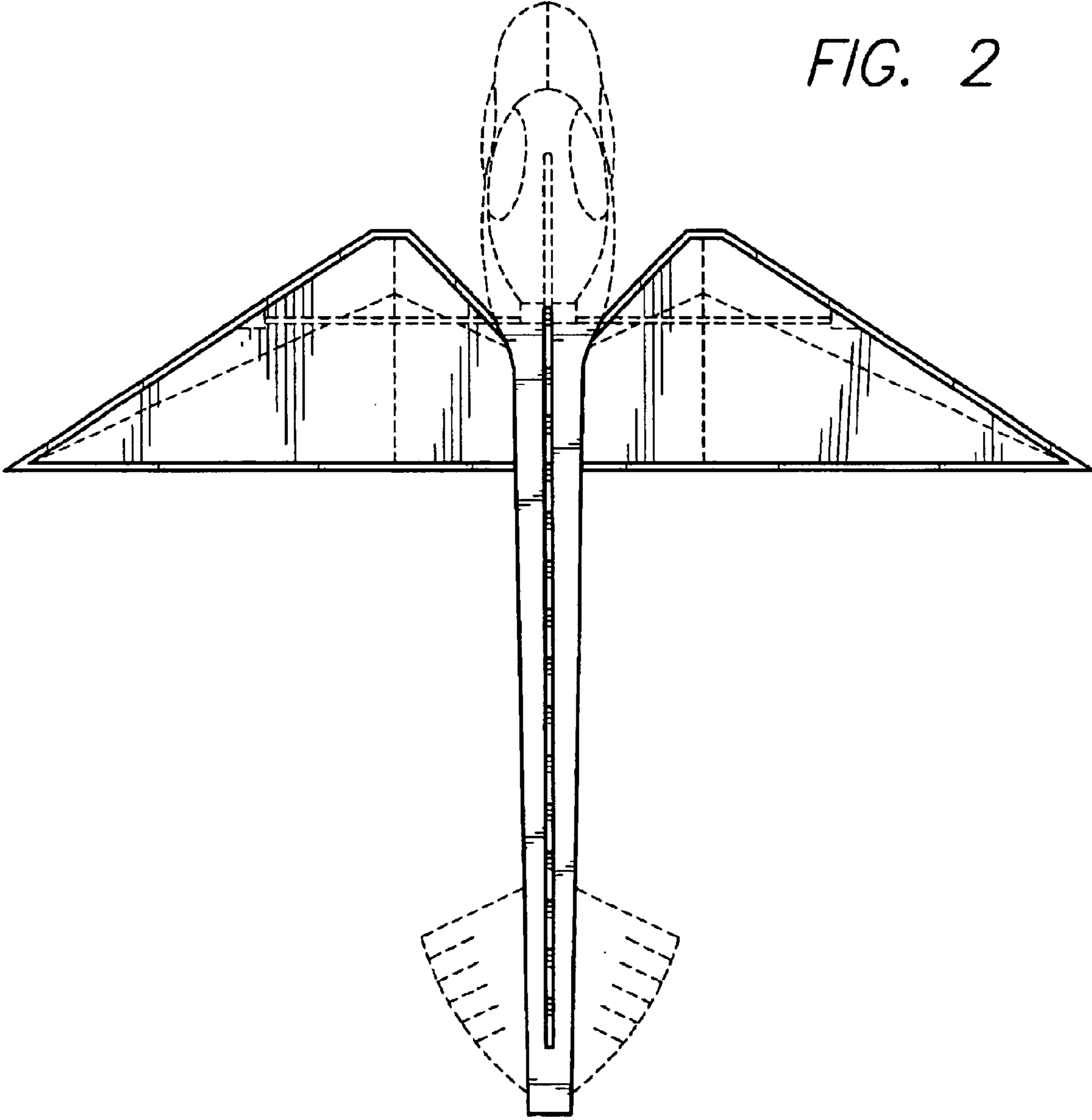


FIG. 1



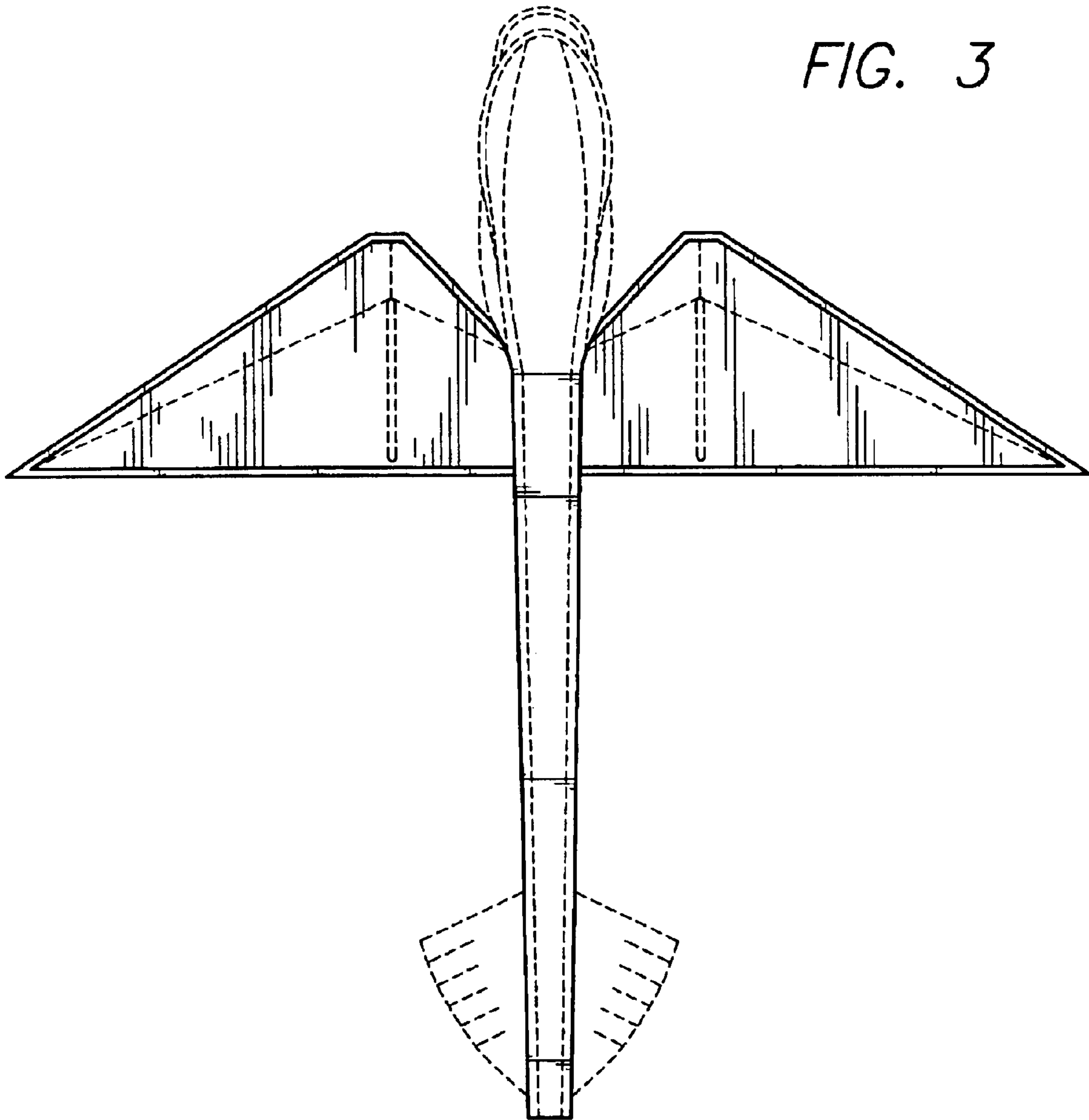
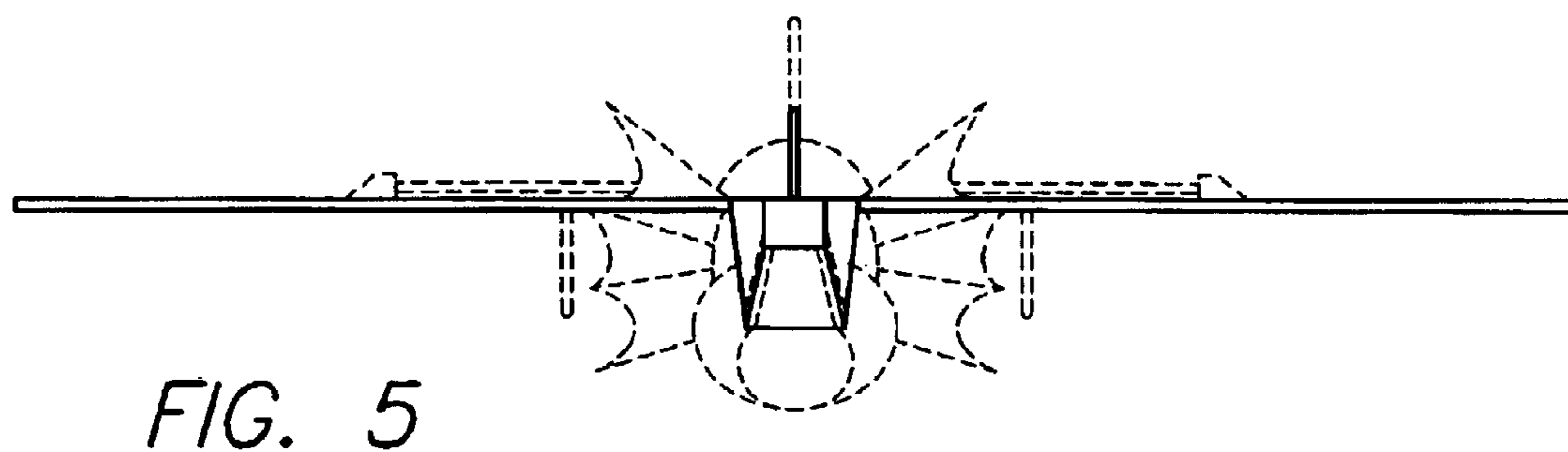
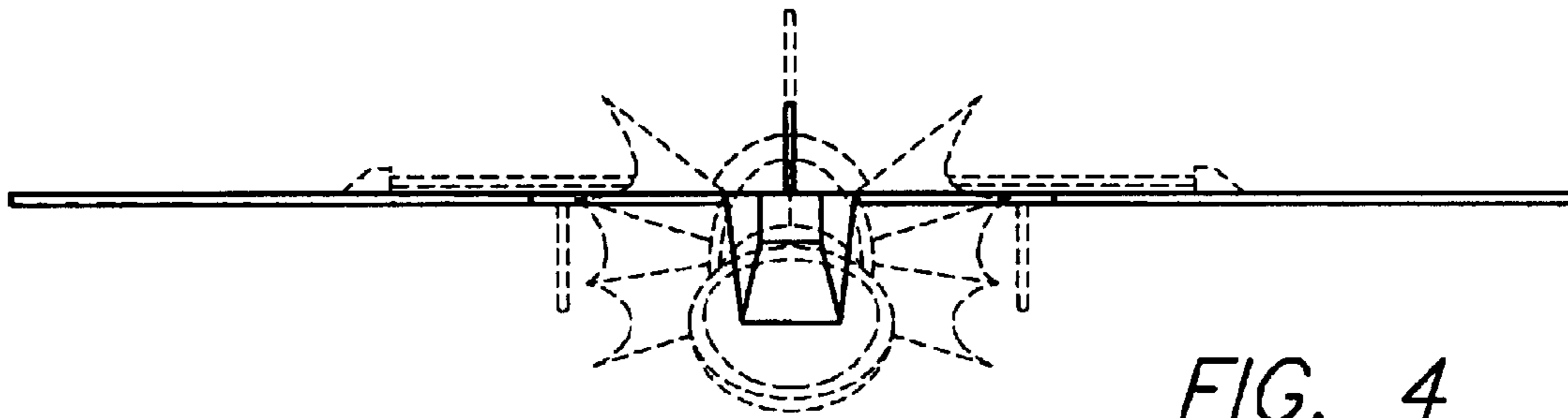


FIG. 3



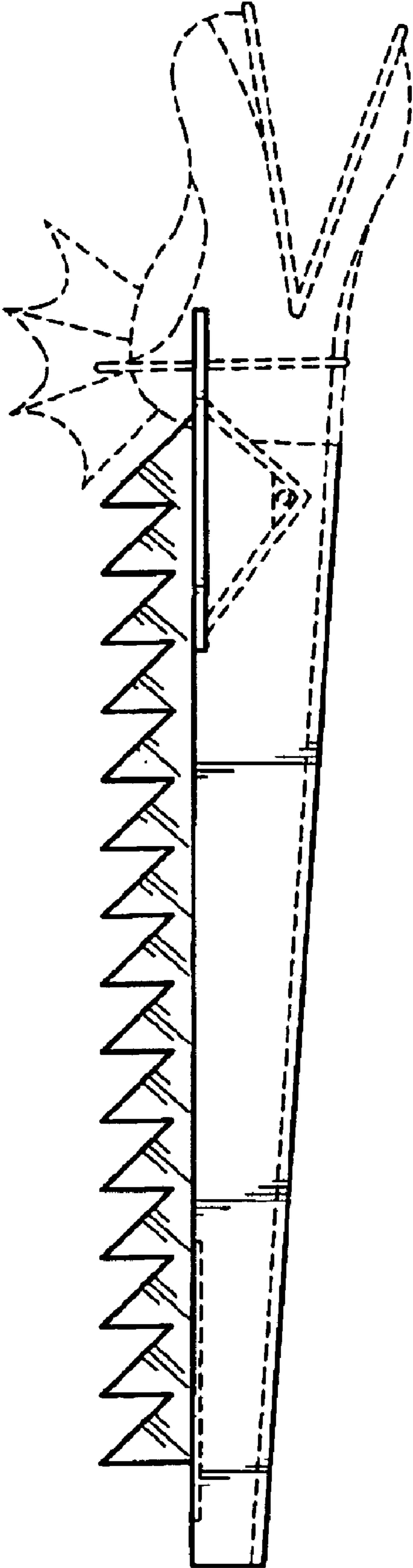


FIG. 6