

US00D494637S1

(12) **United States Design Patent**
Chudd

(10) **Patent No.:** **US D494,637 S**

(45) **Date of Patent:** **** Aug. 17, 2004**

(54) **GAMING MACHINE**

D463,506 S * 9/2002 Seelig et al. D21/370
D470,540 S * 2/2003 Seelig et al. D21/385

(75) **Inventor:** **Russell Chudd**, Reno, NV (US)

* cited by examiner

(73) **Assignee:** **IGT**, Reno, NV (US)

Primary Examiner—Sandra L. Morris

(**) **Term:** **14 Years**

(74) *Attorney, Agent, or Firm*—Marshall, Gerstein & Borun LLP

(21) **Appl. No.:** **29/189,773**

(57) **CLAIM**

(22) **Filed:** **Sep. 9, 2003**

The ornamental design for a “gaming machine,” as shown and described.

(51) **LOC (7) Cl.** **21-03**

(52) **U.S. Cl.** **D21/370; D21/385**

(58) **Field of Search** D21/325, 329,
D21/369–371, 374, 385; D26/80, 85; D14/212,
215–216; 273/138.1; 463/16–17, 20, 46–47

DESCRIPTION

FIG. 1 is a perspective view taken from the front and right showing our new design;

FIG. 2 is a front view thereof; and,

FIG. 3 is a right side elevational view thereof, the left side elevational view being a mirror image thereof.

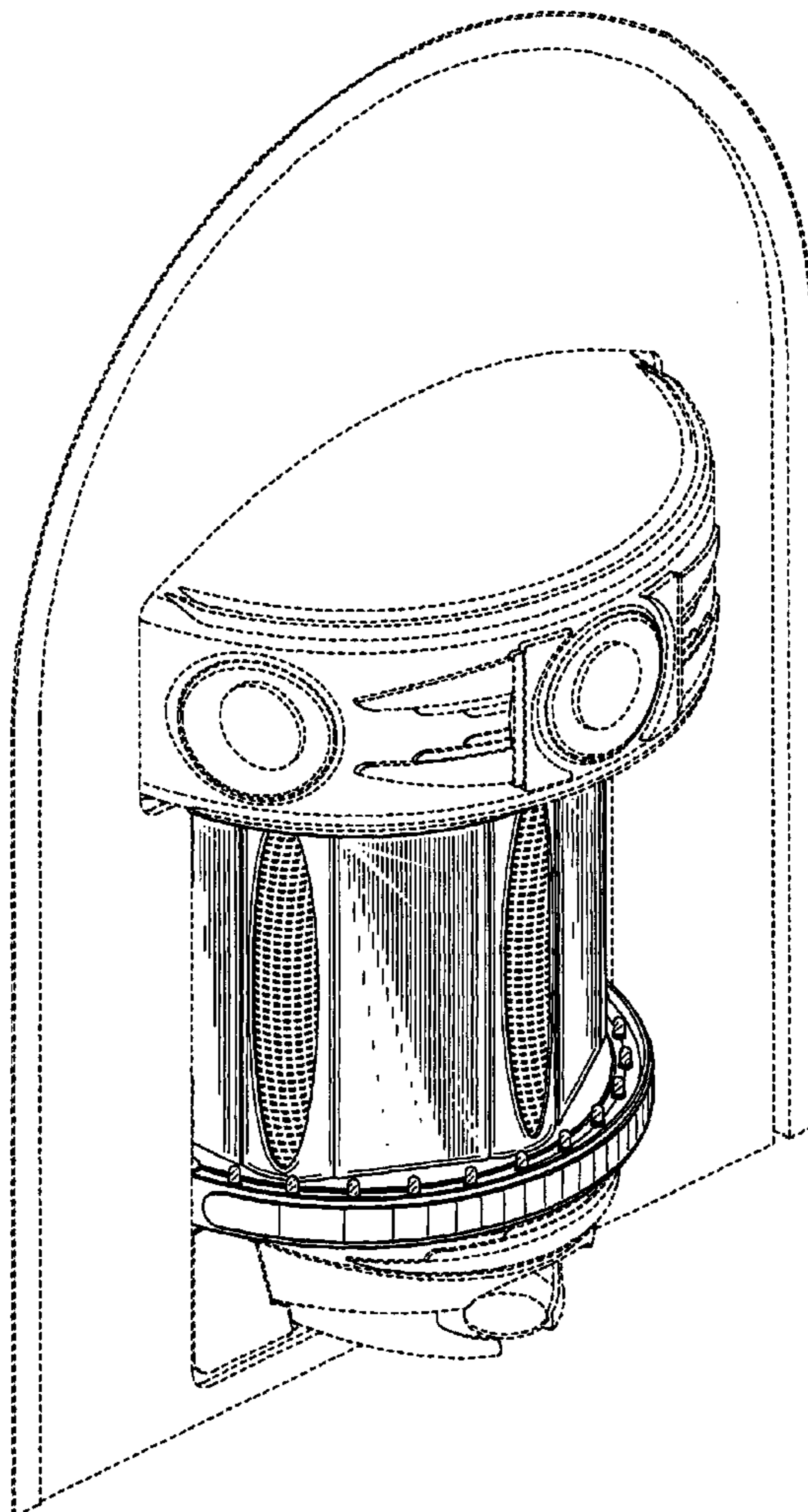
The broken lines showing a portion of a gaming machine is for illustrative purposes only and forms no part of the claimed design.

(56) **References Cited**

U.S. PATENT DOCUMENTS

D227,116 S * 6/1973 Sato D14/212
D243,375 S * 2/1977 DiOrio D21/370
D275,658 S * 9/1984 Kahl et al. D26/85
D323,405 S * 1/1992 Kin D26/85

1 Claim, 3 Drawing Sheets



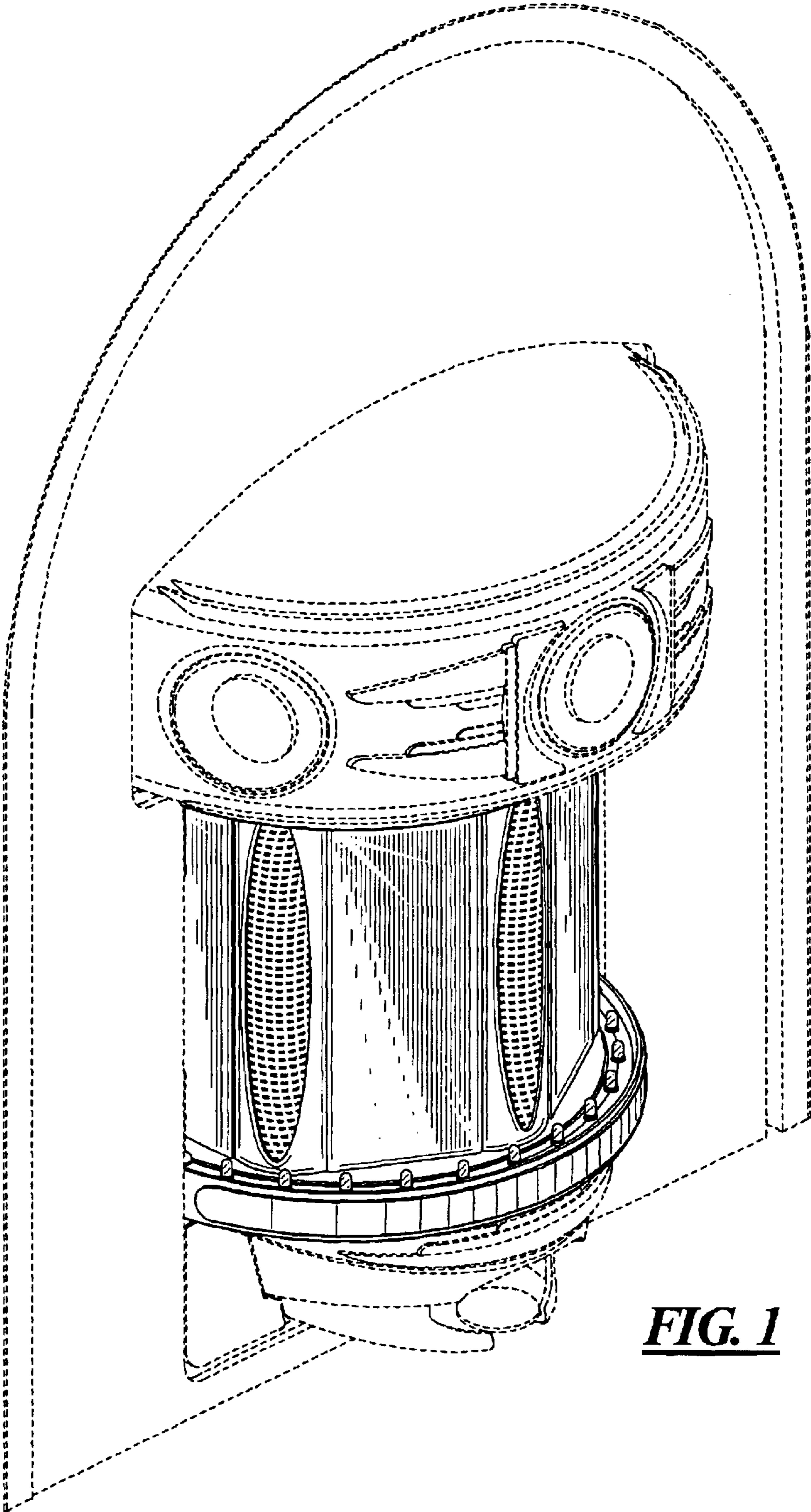


FIG. 1

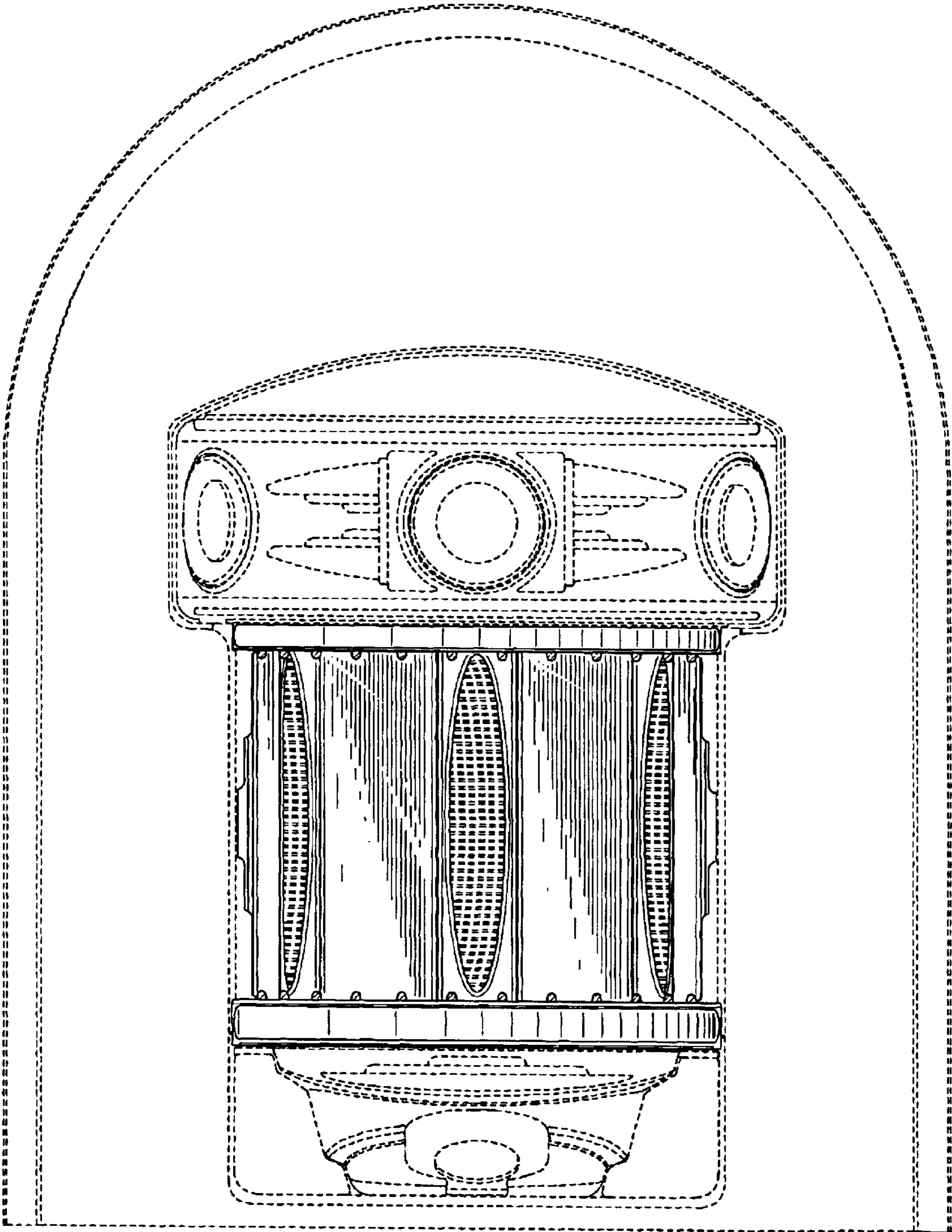


FIG. 2

FIG. 3

