



US00D494636S1

(12) **United States Design Patent**  
**Chudd et al.**

(10) **Patent No.:** **US D494,636 S**

(45) **Date of Patent:** **\*\* Aug. 17, 2004**

(54) **GAMING MACHINE**

D463,506 S \* 9/2002 Seelig et al. .... D21/370  
D470,540 S \* 2/2003 Seelig et al. .... D21/385

(75) Inventors: **Russell Chudd**, Reno, NV (US);  
**Roman A. Souza**, Reno, NV (US)

\* cited by examiner

(73) Assignee: **IGT**, Reno, NV (US)

*Primary Examiner*—Sandra L. Morris  
(74) *Attorney, Agent, or Firm*—Marshall, Gerstein & Borun  
LLP

(\*\*) Term: **14 Years**

(57) **CLAIM**

(21) Appl. No.: **29/189,769**

The ornamental design for a “gaming machine”, as shown  
and described.

(22) Filed: **Sep. 9, 2003**

(51) **LOC (7) Cl.** ..... **21-03**

**DESCRIPTION**

(52) **U.S. Cl.** ..... **D21/370; D21/385**

(58) **Field of Search** ..... D21/325, 329,  
D21/369–371, 374, 385; D26/80, 85; 273/138.1;  
463/16–17, 20, 46–47

FIG. 1 is a perspective view taken from the front and right  
showing our new design;

FIG. 2 is a front view thereof; and,

FIG. 3 is a right side elevational view thereof, the left side  
elevational view being a mirror image thereof.

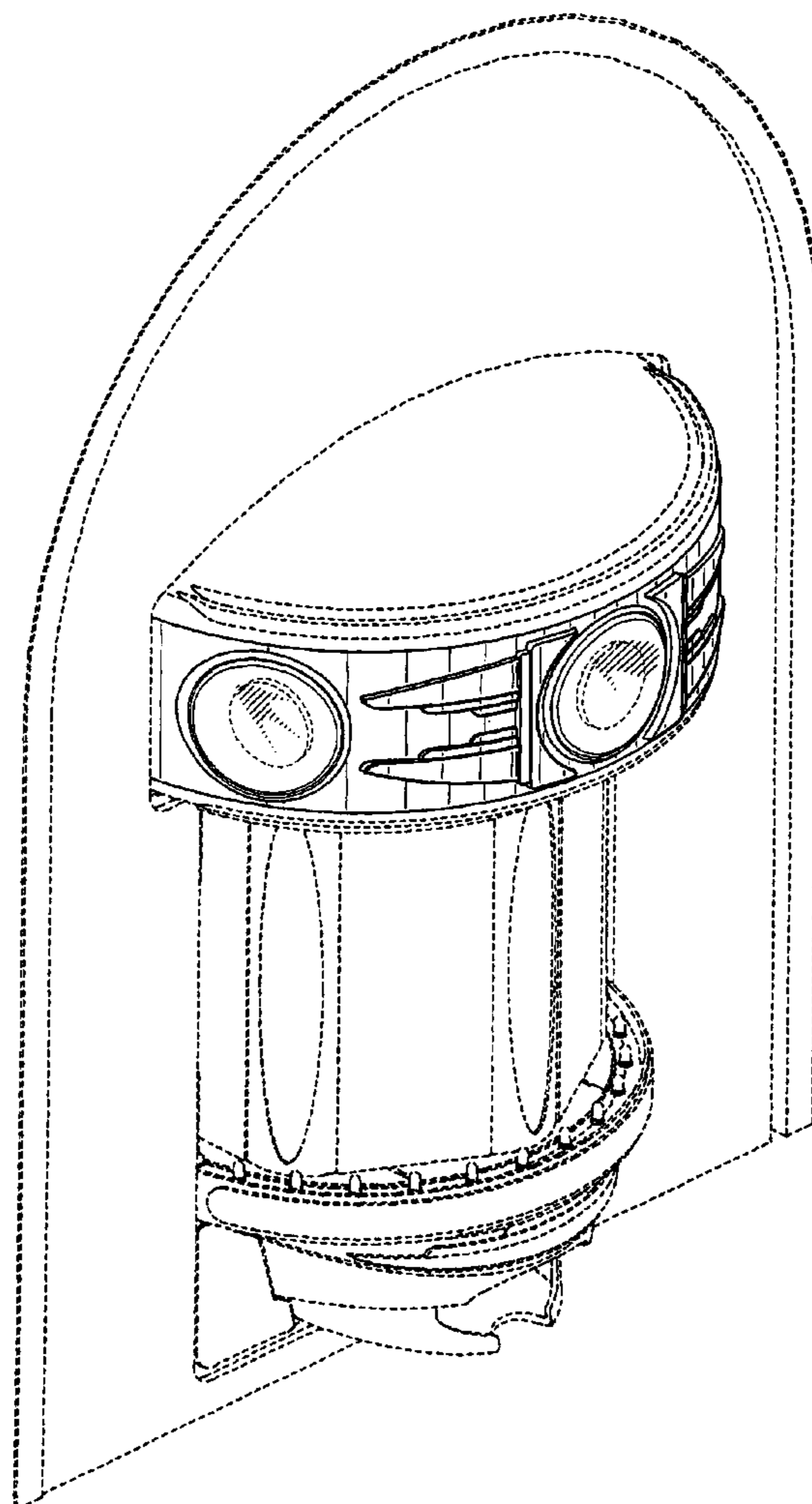
The broken lines showing a portion of a gaming machine is  
for illustrative purposes only and forms no part of the  
claimed design.

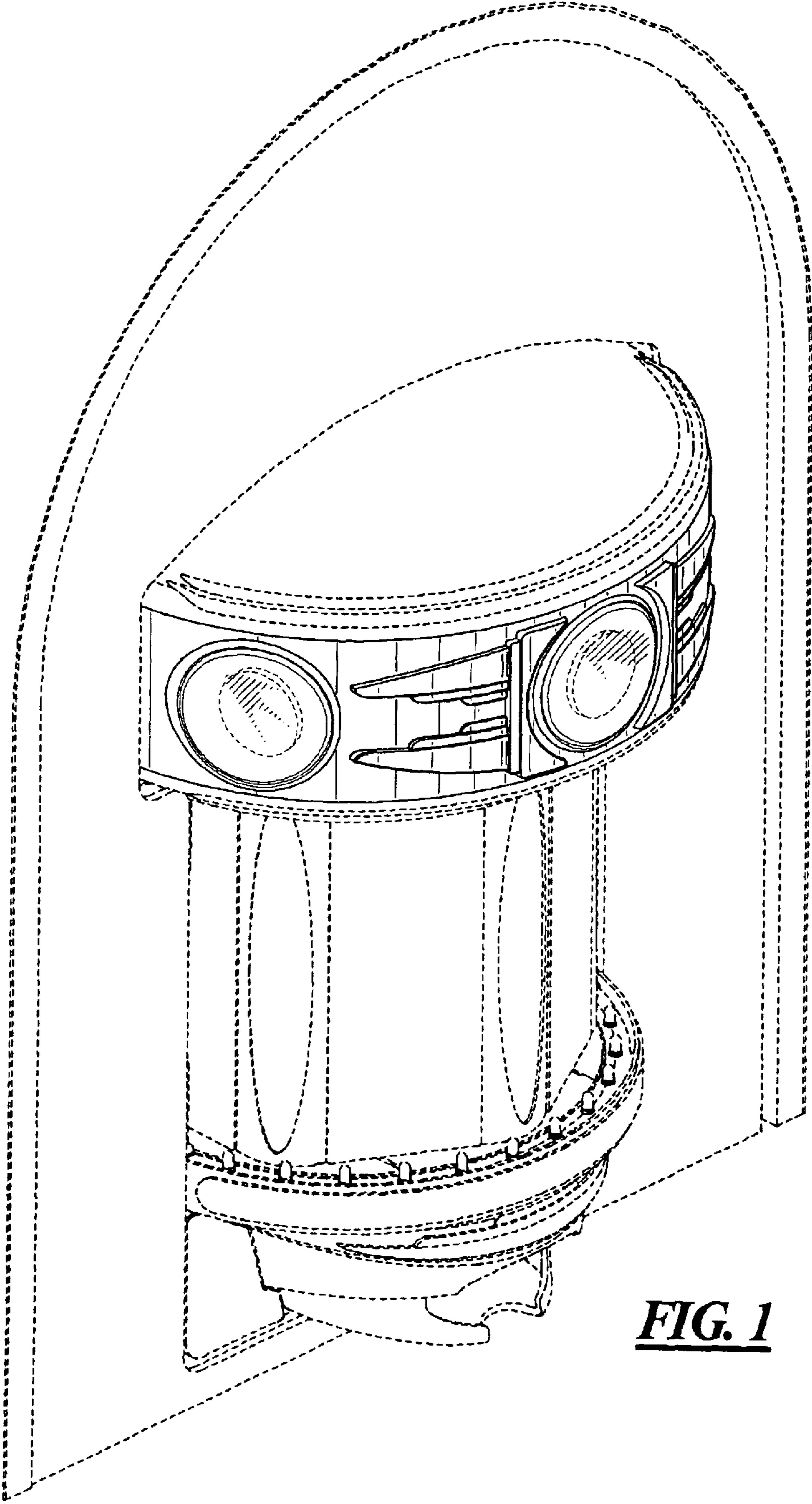
(56) **References Cited**

**U.S. PATENT DOCUMENTS**

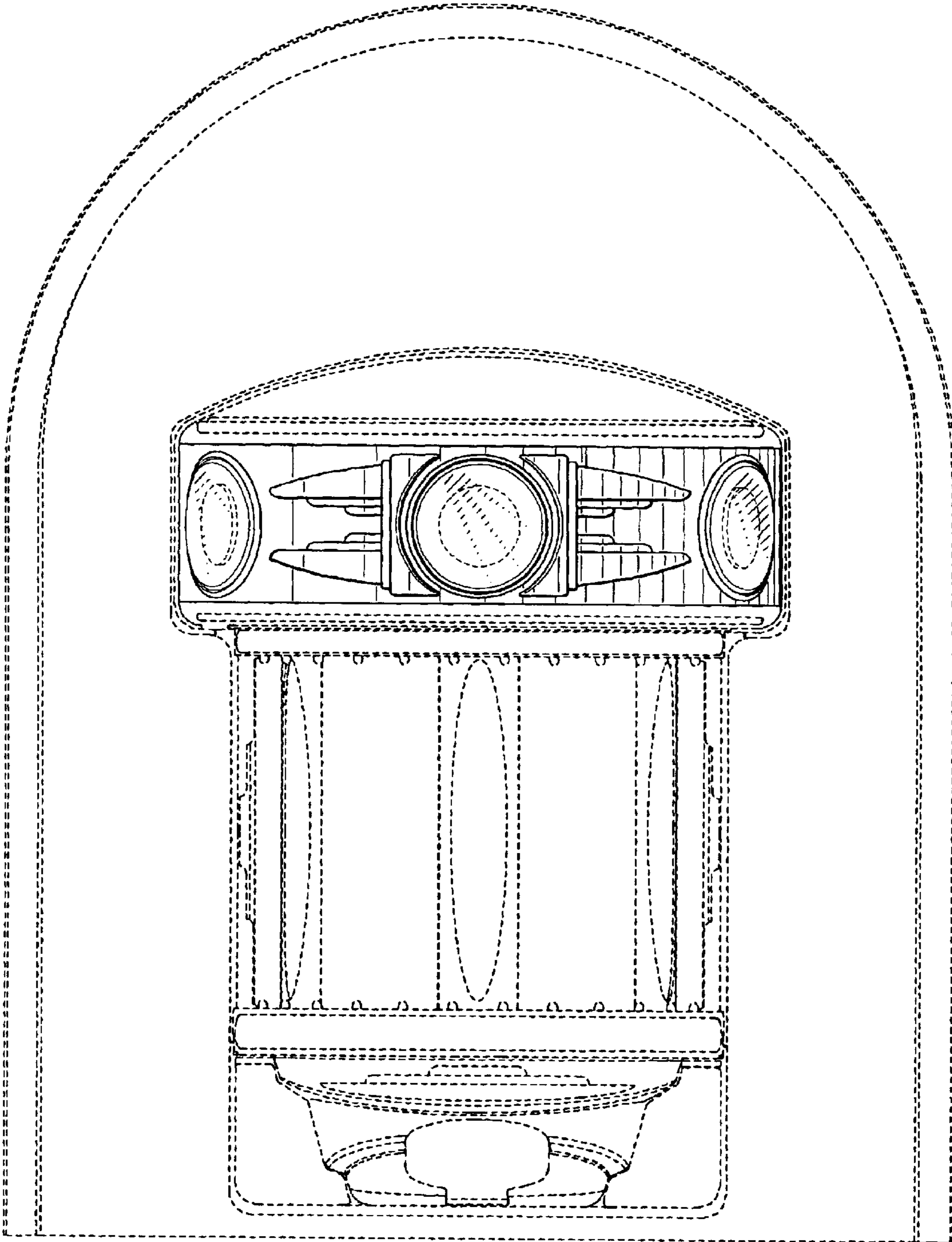
D243,375 S \* 2/1977 DiOrio ..... D21/370  
D275,658 S \* 9/1984 Kahl et al. .... D26/85  
D323,405 S \* 1/1992 Kin ..... D26/85

**1 Claim, 3 Drawing Sheets**





**FIG. 1**



**FIG. 2**

**FIG. 3**

