

US00D494634S1

(12) **United States Design Patent**
Soga

(10) **Patent No.:** **US D494,634 S**

(45) **Date of Patent:** **** Aug. 17, 2004**

(54) **STAND FOR A PORTABLE GAME MACHINE**

(75) **Inventor:** **Kiyoshi Soga, Shizuoka (JP)**

(73) **Assignee:** **Keys Factory, Inc., Shizuoka (JP)**

(**) **Term:** **14 Years**

(21) **Appl. No.:** **29/191,838**

(22) **Filed:** **Oct. 16, 2003**

(51) **LOC (7) Cl. 21-01**

(52) **U.S. Cl. D21/333**

(58) **Field of Search** D21/333, 324;
D14/400, 401, 412-416, 454; 273/148 B,
148 A; 463/1, 29-38, 46, 47, 48; 345/156,
161, 905; 200/5 R, 5 A, 6 A

(56) **References Cited**

U.S. PATENT DOCUMENTS

4,422,640 A	*	12/1983	Tamarkin	463/47
4,573,682 A	*	3/1986	Mayon	273/148 B
5,046,739 A	*	9/1991	Reichow	273/148 B
D321,727 S	*	11/1991	Urbanski	D14/454
5,209,478 A	*	5/1993	Simpson	273/148 B
D338,053 S	*	8/1993	Underhill et al.	D14/454

5,295,648 A	*	3/1994	Hames	248/149
6,241,247 B1	*	6/2001	Sternberg et al.	273/148 B
6,342,009 B1	*	1/2002	Soma	463/38
D457,193 S	*	5/2002	Brulotte et al.	D21/333
D462,398 S	*	9/2002	Hussaini et al.	D21/333
D464,996 S	*	10/2002	Hussaini et al.	D21/333
D467,621 S	*	12/2002	Ku	D21/333

* cited by examiner

Primary Examiner—Prabhakar Deshmukh

(74) *Attorney, Agent, or Firm*—Griffin & Szipl, P.C.

(57) **CLAIM**

The ornamental design for a stand for a portable game machine, as shown and described.

DESCRIPTION

FIG. 1 is a front perspective view of the stand of the present invention.

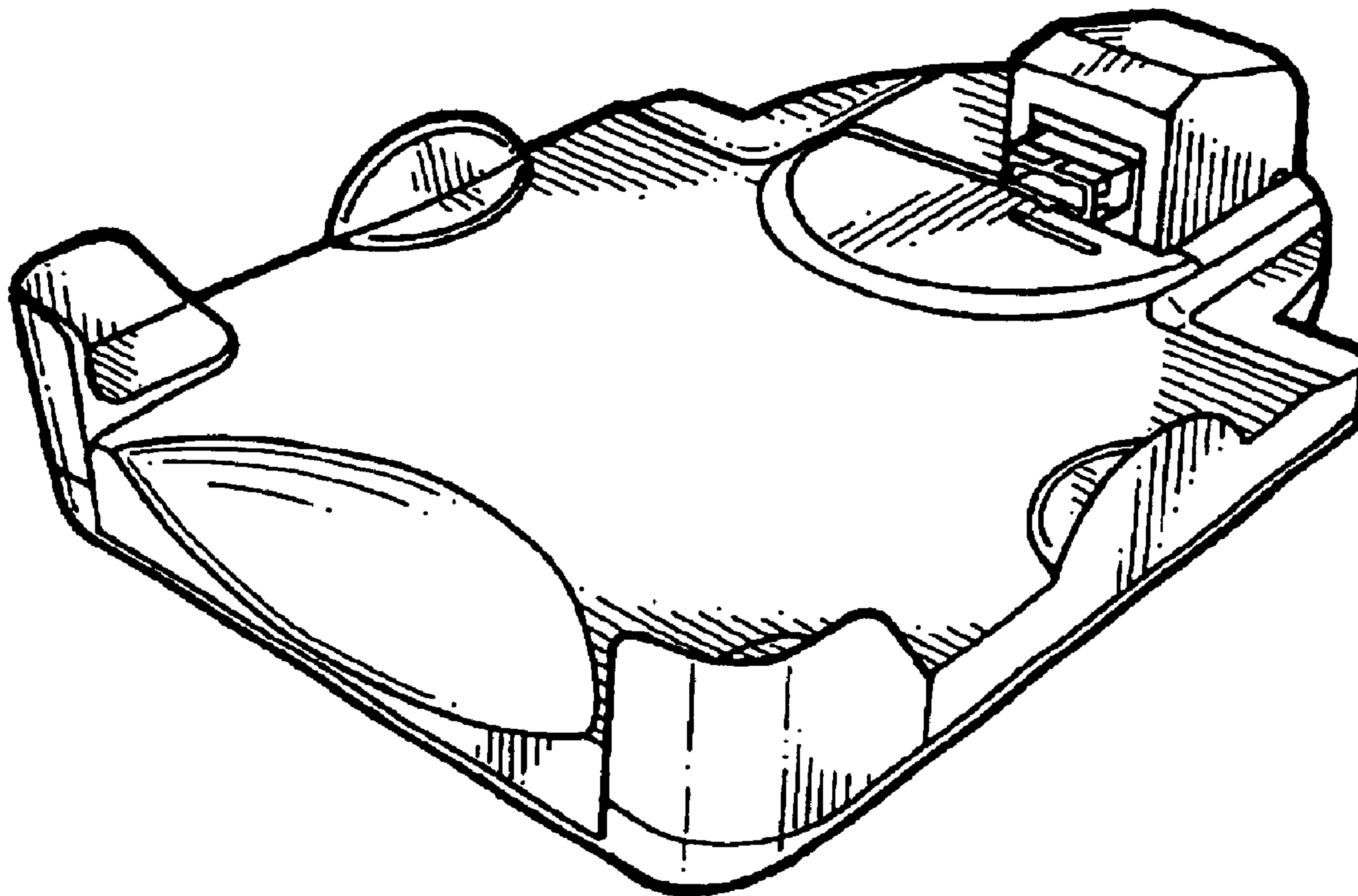
FIG. 2 is a rear perspective view of the present invention.

FIG. 3. is a bottom view; and,

FIG. 4 is a right side view illustrating the stand in use with a game machine.

The broken lines are for illustrative purpose only and form no part of the claimed design.

1 Claim, 2 Drawing Sheets



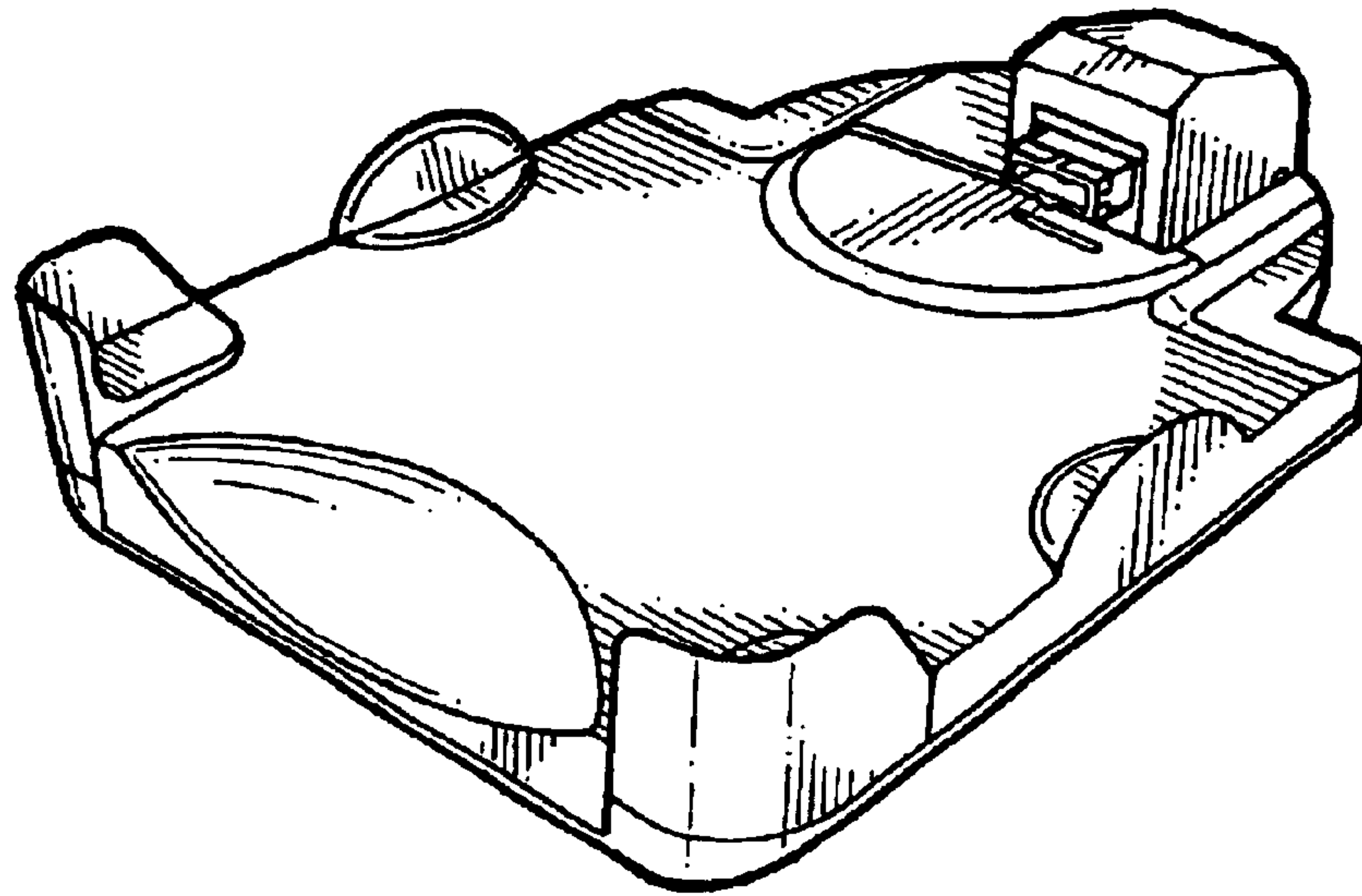


FIG. 1

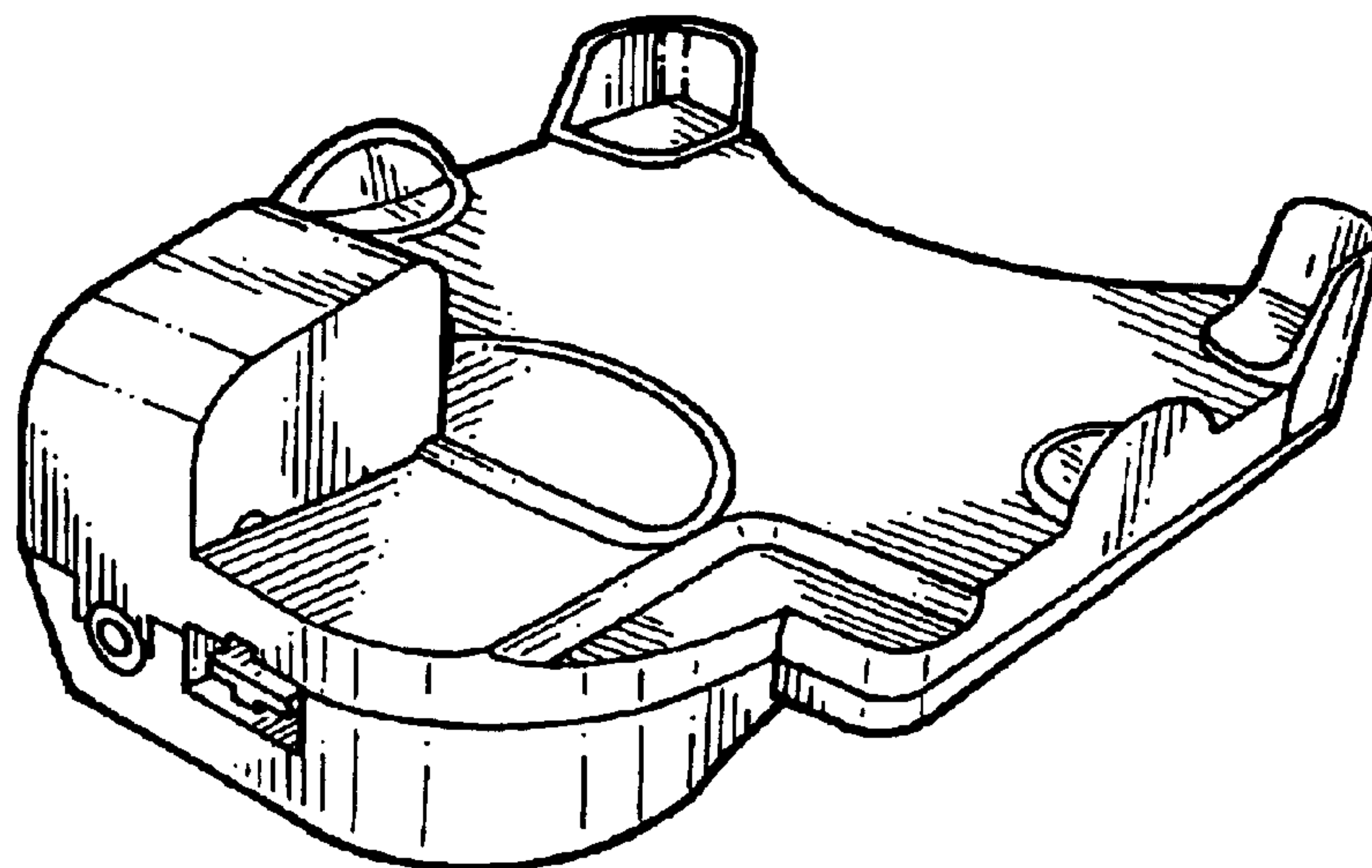


FIG. 2

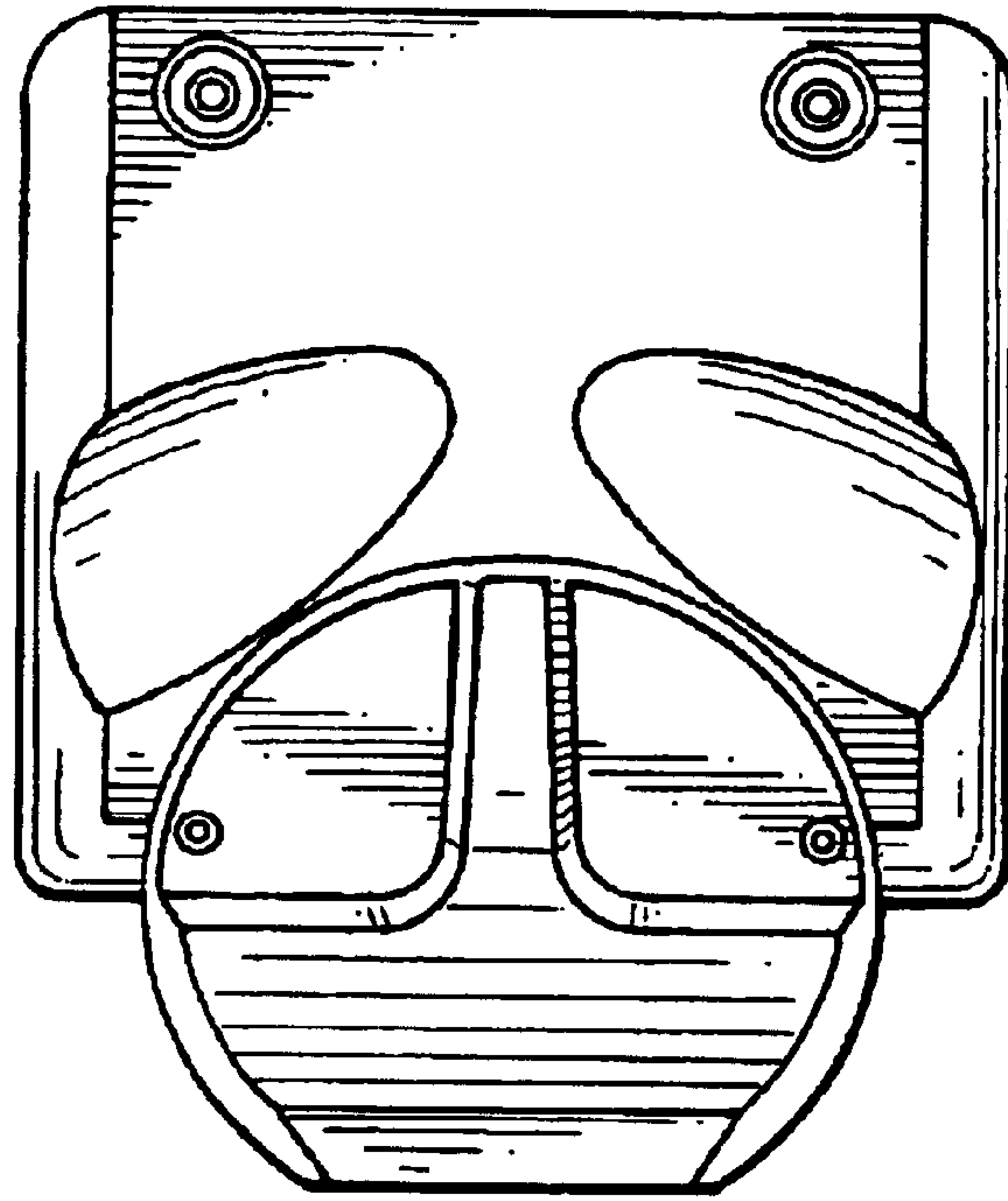


FIG. 3

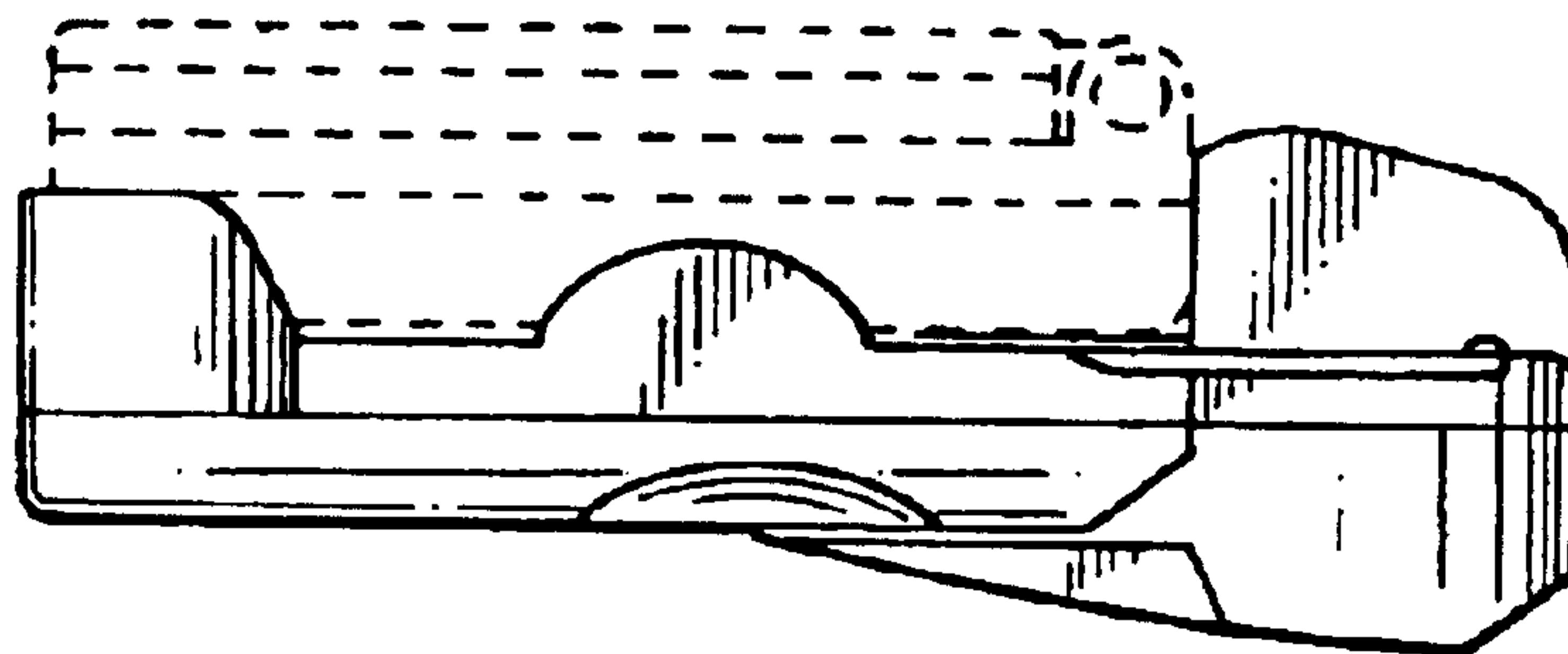


FIG. 4