

US00D494631S1

(12) **United States Design Patent**
Douziech

(10) **Patent No.:** **US D494,631 S**

(45) **Date of Patent:** **** Aug. 17, 2004**

(54) **MAILBOX SIGN**

(75) **Inventor:** **Maurice J. Douziech**, Edmonton (CA)

(73) **Assignee:** **Intergrated Designs Inc.**, Alberta (CA)

(**) **Term:** **14 Years**

(21) **Appl. No.:** **29/189,947**

(22) **Filed:** **Sep. 12, 2003**

(30) **Foreign Application Priority Data**

Jul. 2, 2003 (CA) 103569

(51) **LOC (7) Cl.** **20-02**

(52) **U.S. Cl.** **D20/42**

(58) **Field of Search** D20/10, 17, 18,
D20/19-21, 39, 42-99; D19/52; D21/362,
374; 40/1.5, 124.01; 283/36, 56, 115, 117;
434/84, 98, 103-104

(56) **References Cited**

U.S. PATENT DOCUMENTS

581,237	A	*	4/1897	Mautz	211/50
1,478,219	A	*	12/1923	Hammitt	24/67.3
3,280,488	A	*	10/1966	Rubin	40/1.5
D245,066	S	*	7/1977	Taub	D20/44
D267,415	S	*	12/1982	Hornblad	D20/10
D276,825	S	*	12/1984	Eason	D20/43
D296,569	S	*	7/1988	Vela	D20/43
D350,636	S	*	9/1994	Spratley	D2/500
D381,369	S	*	7/1997	Sabadina	D20/43
6,035,564	A	*	3/2000	Cosmo et al.	40/1.6
D434,093	S	*	11/2000	Mathews, Jr.	D21/736
6,367,178	B1	*	4/2002	Chmiel	40/1.5
D459,401	S	*	6/2002	Lowndes	D20/43
D475,089	S	*	5/2003	Cochlan	D20/10
6,684,544	B1	*	2/2004	Buettell	40/661.01

* cited by examiner

Primary Examiner—Robert M. Spear

(74) *Attorney, Agent, or Firm*—Macheledt Bales & Heidmiller LLP

(57) **CLAIM**

I claim the ornamental design for a mailbox sign, as shown and described.

DESCRIPTION

FIG. 1 is a front perspective view of a signage design of the present invention;

FIG. 2 is a front elevational view of the signage design of FIG. 1;

FIG. 3 is a rear elevational view of the signage design of FIG. 1;

FIG. 4 is a side elevational view of the signage design of FIG. 1;

FIG. 5 is a top plan view of the signage design of FIG. 1;

FIG. 6 is a bottom plan view of the signage design of FIG. 1;

FIG. 7 is a front perspective view of an alternative signage design of the invention;

FIG. 8 is a front elevational view of the signage design of FIG. 7.

FIG. 9 is a rear elevational view of the signage design of FIG. 7

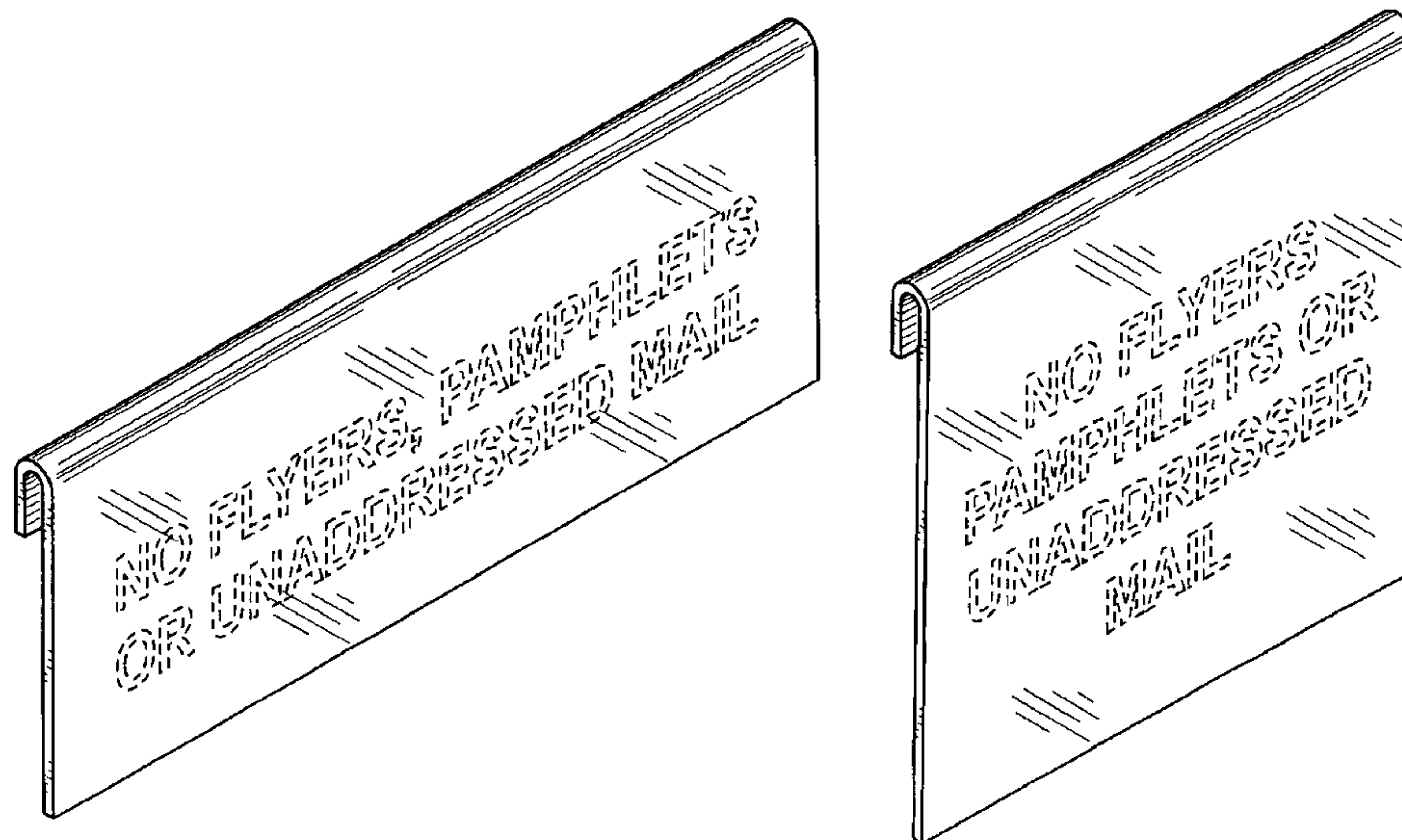
FIG. 10 is a side elevational view of the signage design of FIG. 7.

FIG. 11 is a top plan view of the signage design of FIG. 7; and,

FIG. 12 is a bottom plan view of the signage design of FIG. 7.

The broken lines depicting a printed message shown in FIGS. 1, 2, 7, and 8 are for illustrative purposes only and form no part of the claimed design.

1 Claim, 4 Drawing Sheets



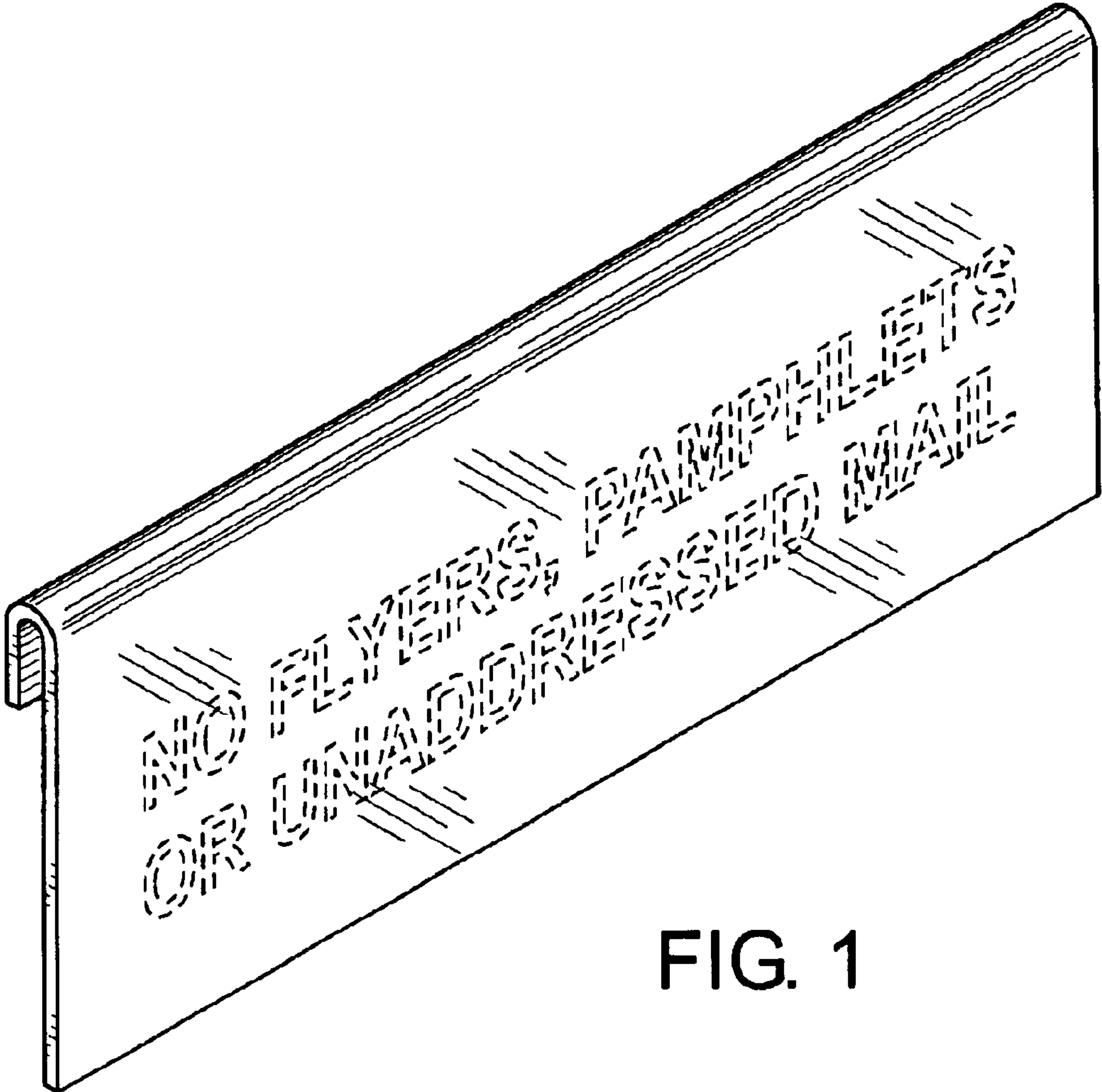


FIG. 1

FIG. 2

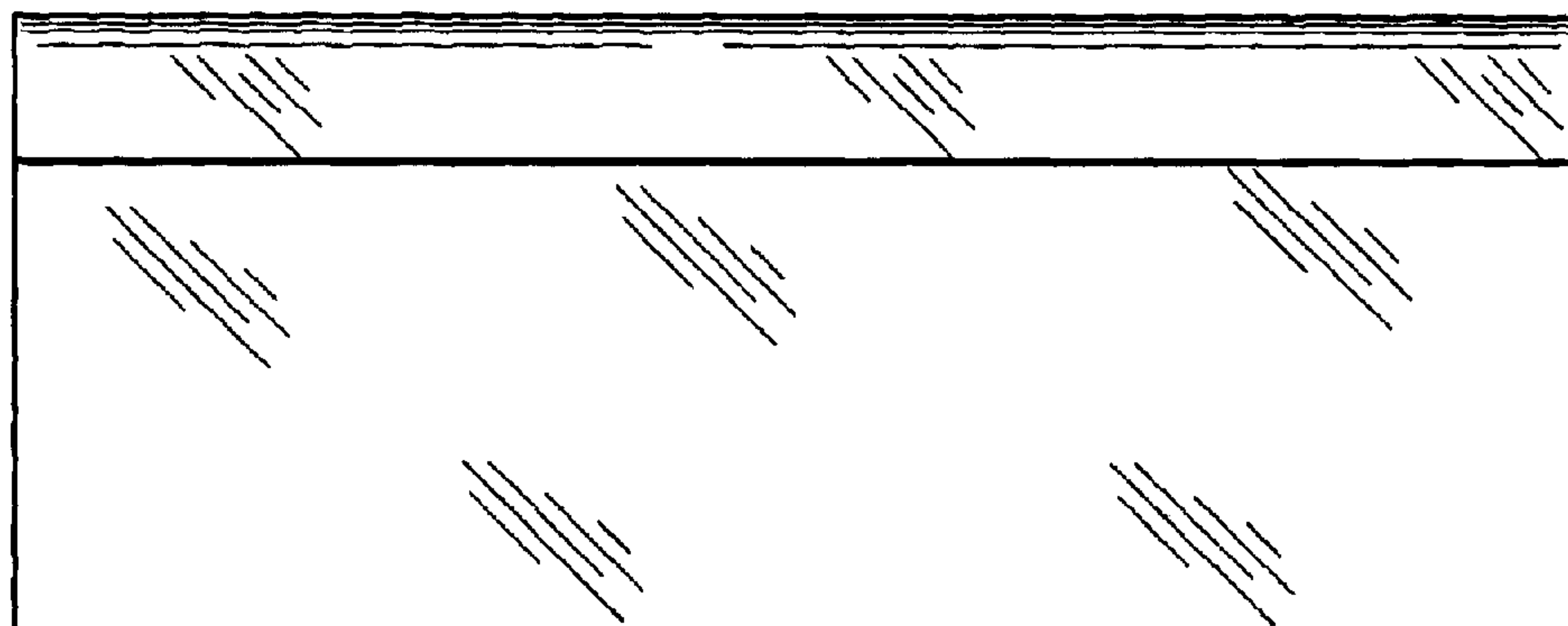
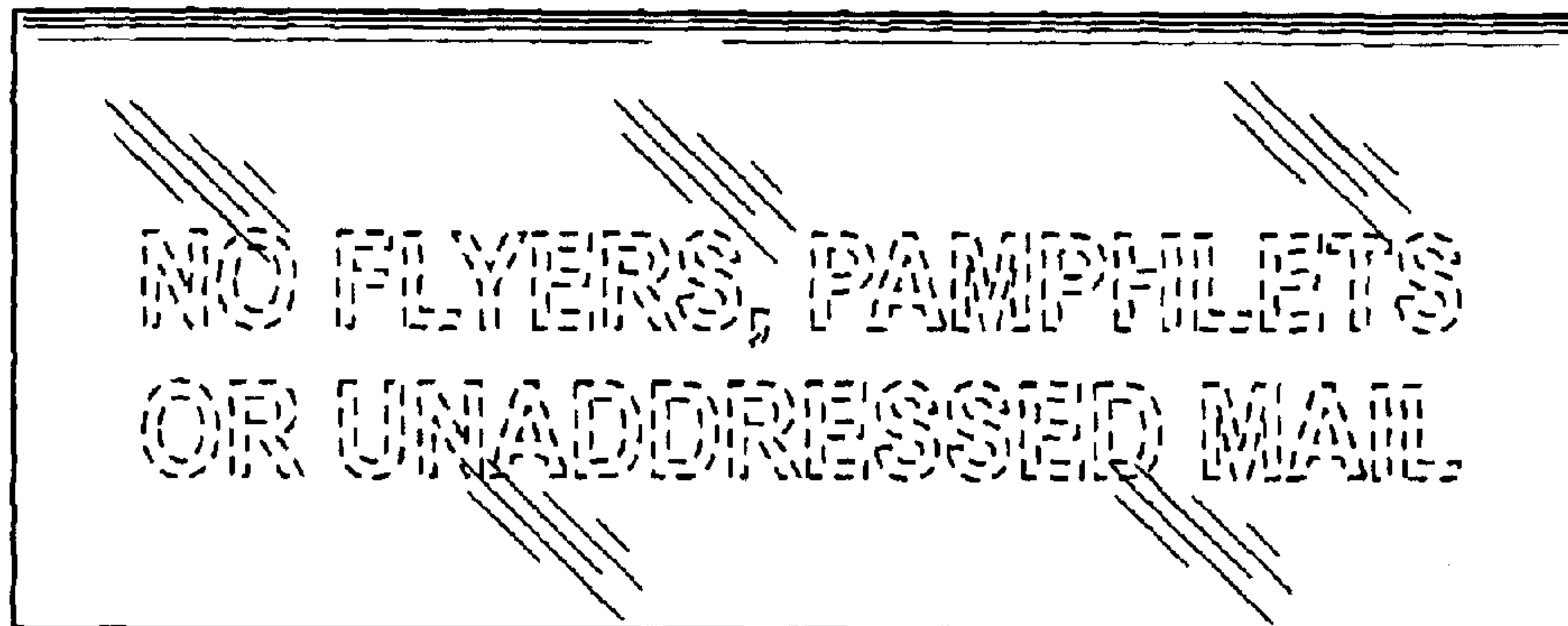


FIG. 3

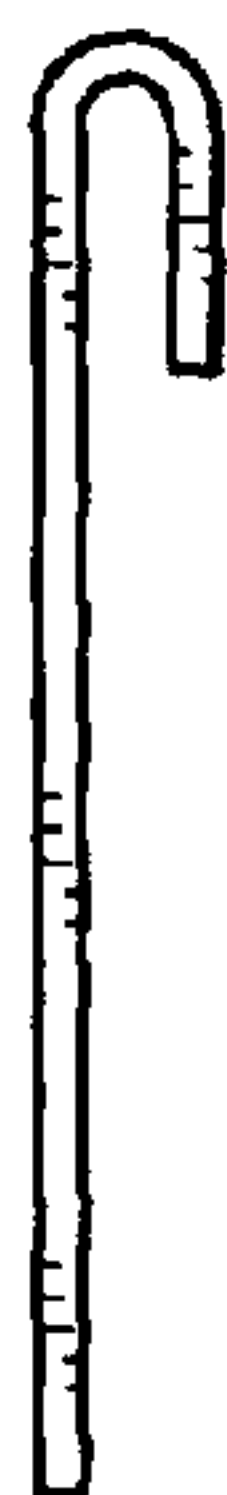


FIG. 4

FIG. 5

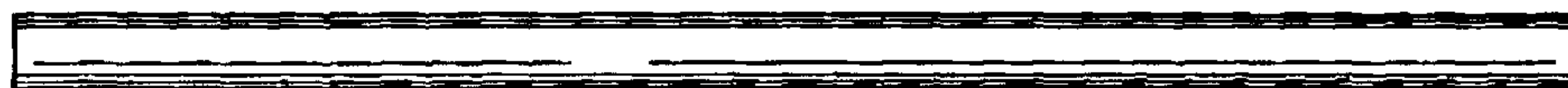
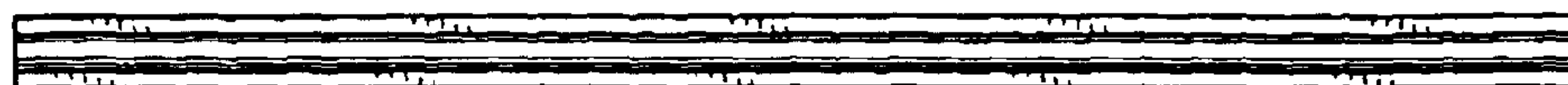


FIG. 6



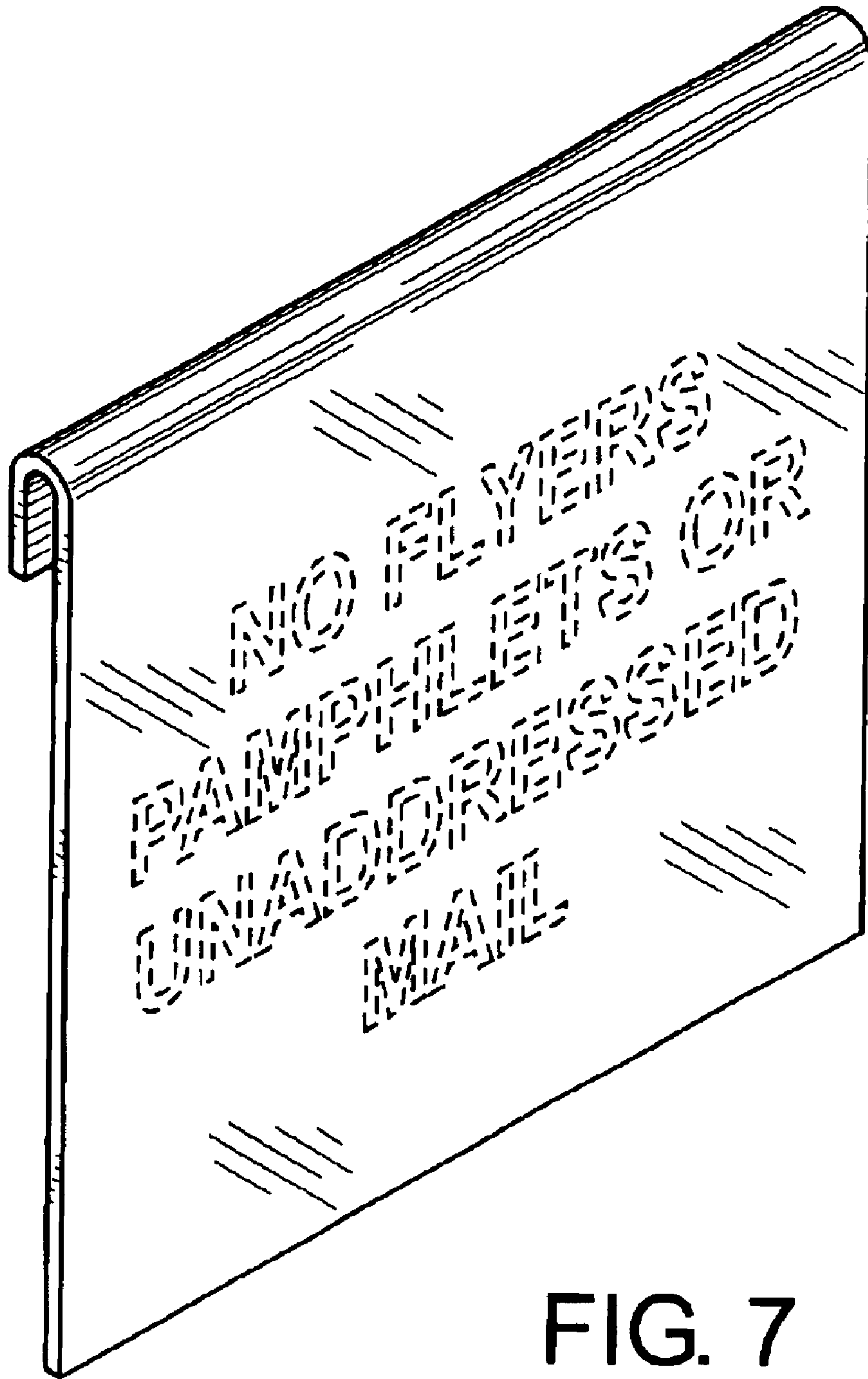


FIG. 7

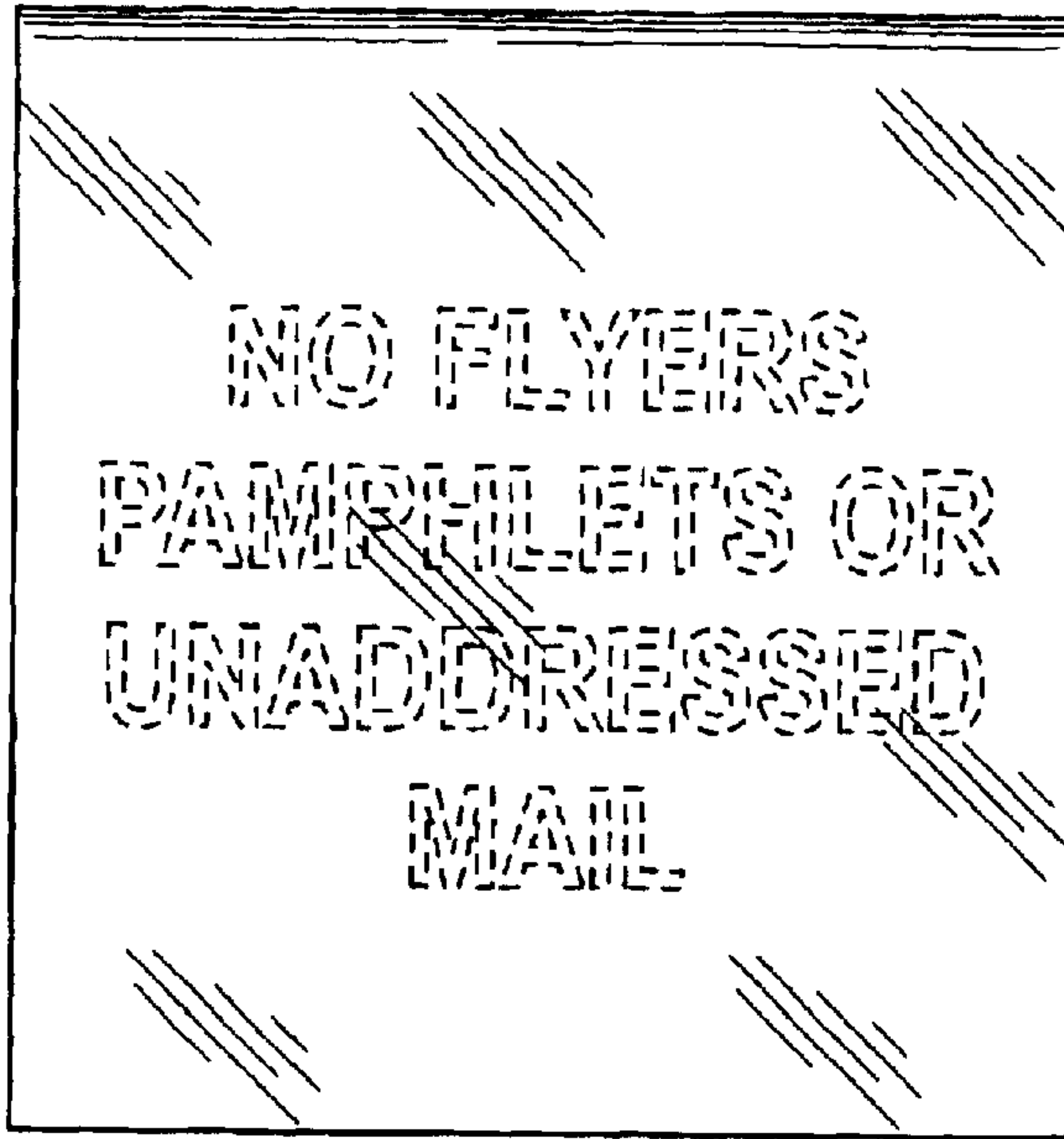


FIG. 8

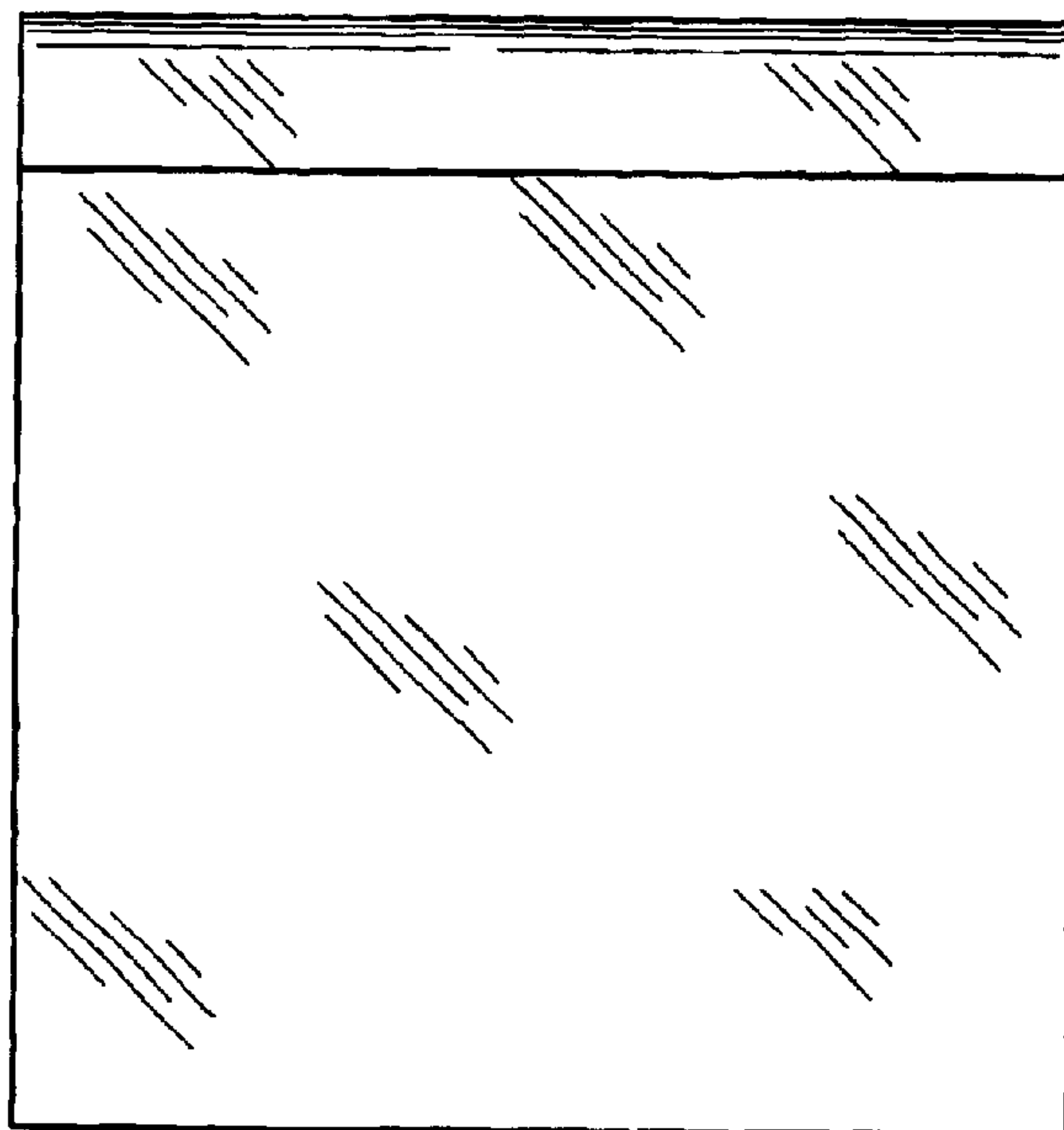


FIG. 9

FIG. 10

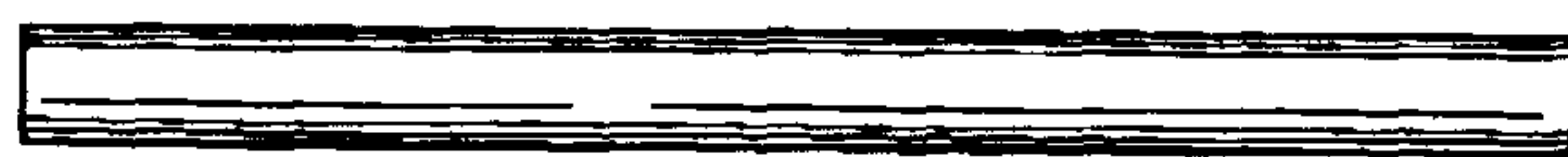
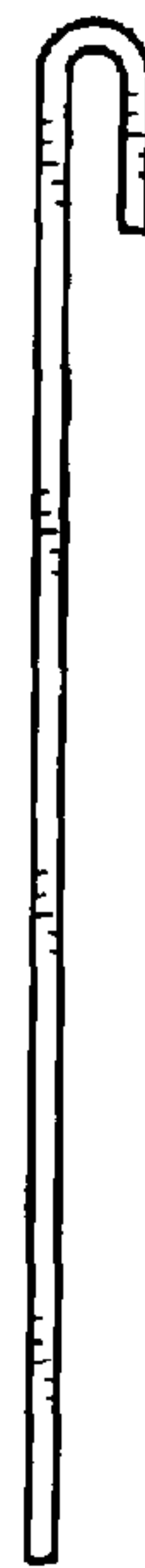


FIG. 11

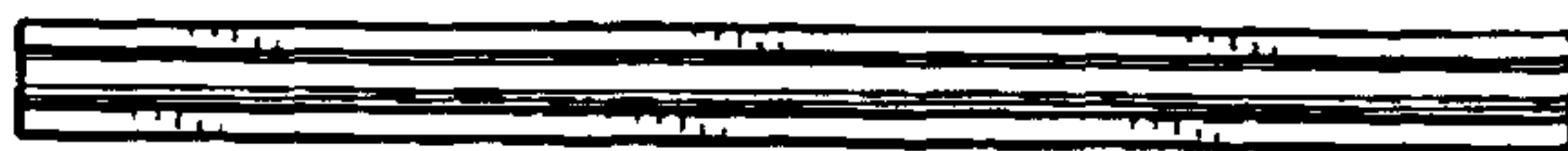


FIG. 12