

US00D494630S1

(12) **United States Design Patent** (10) **Patent No.:** **US D494,630 S**
Taylor (45) **Date of Patent:** **** Aug. 17, 2004**

(54) **YARD SIGN**

(74) *Attorney, Agent, or Firm*—Michael A. O’Neil, P.C.

(76) **Inventor:** **Carol A. Taylor**, 5430 Surrey Cir.,
Dallas, TX (US) 75209

(57) **CLAIM**

The ornamental design for a yard sign, as shown and described.

(**) **Term:** **14 Years**

DESCRIPTION

(21) **Appl. No.:** **29/189,675**

FIG. 1 is a left front perspective view of a yard sign which embodies a first embodiment of the present design shown in full lines, the items shown in broken lines are depicted for illustrative purposes only and form no part of the claimed design;

(22) **Filed:** **Sep. 9, 2003**

(51) **LOC (7) Cl.** **20-02**

(52) **U.S. Cl.** **D20/41**

(58) **Field of Search** D20/10, 13–19,
D20/21, 41–43, 99; D14/374–5; 40/307,
331, 382, 607, 661

FIG. 2 is a front view of the yard sign;

FIG. 3 is a left side view of the yard sign, the right side view being identical thereto;

(56) **References Cited**

U.S. PATENT DOCUMENTS

D285,456 S	*	9/1986	Wiens	D20/39
4,726,132 A	*	2/1988	Ernest	40/661
D342,285 S	*	12/1993	Boyar	D20/41
D410,696 S	*	6/1999	Powers	D20/41
D431,036 S	*	9/2000	Chapman et al.	D14/260
D470,189 S	*	2/2003	Nguyen	D20/41
D475,090 S	*	5/2003	Mitchell	D20/41

FIG. 4 is a back view of the yard sign;

FIG. 5 is a top view of the yard sign;

FIG. 6 is a bottom view of the yard sign; and,

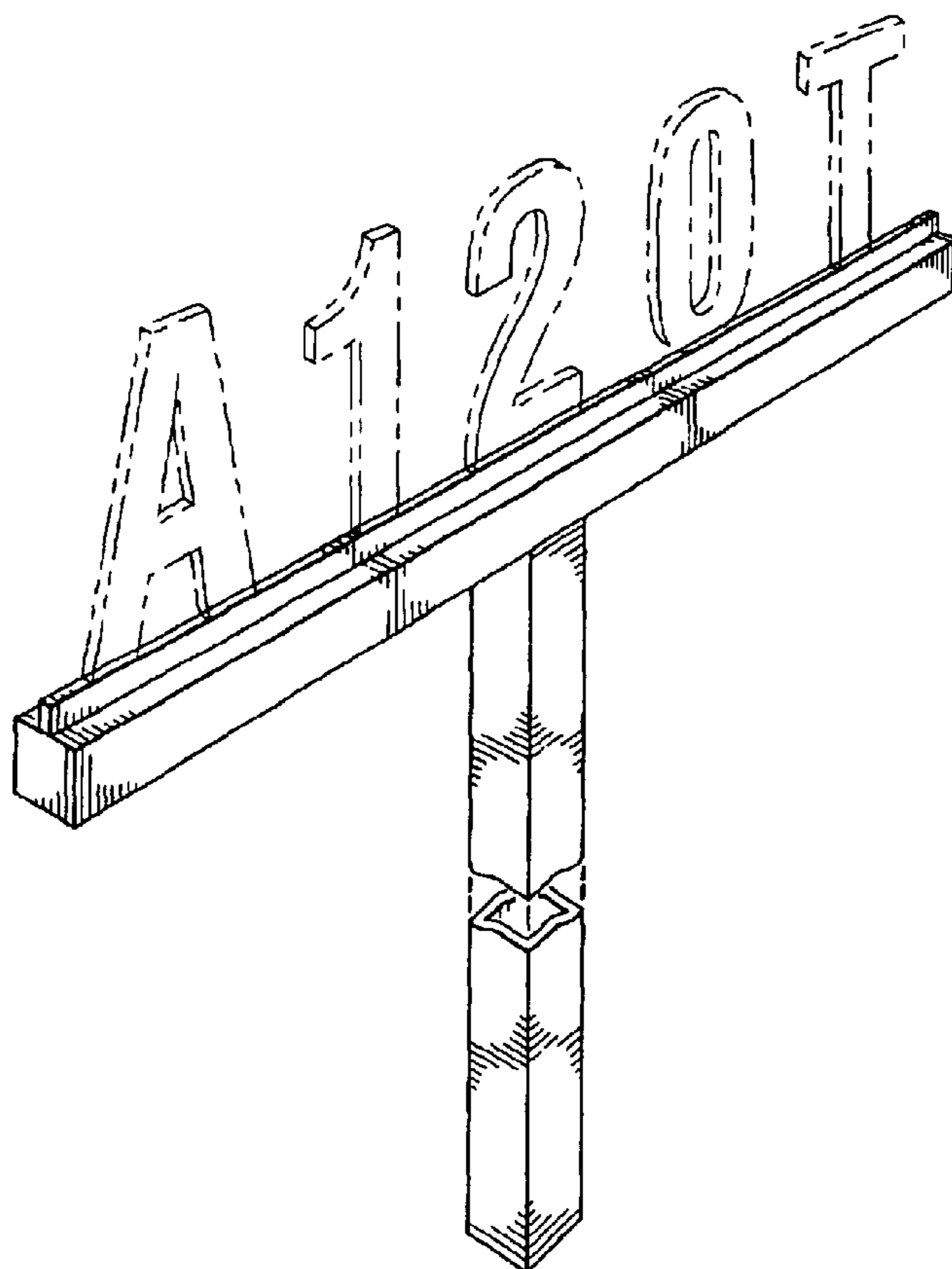
FIG. 7 is a left front perspective view of a yard sign which embodies a second embodiment of the present design shown in full lines, the items shown in broken lines are depicted for illustrative purposes only and form no part of the claimed design.

The support post has been shown broken away in FIGS. 1–4 and 7 to indicate indeterminate length.

* cited by examiner

Primary Examiner—Robert M. Spear

1 Claim, 2 Drawing Sheets



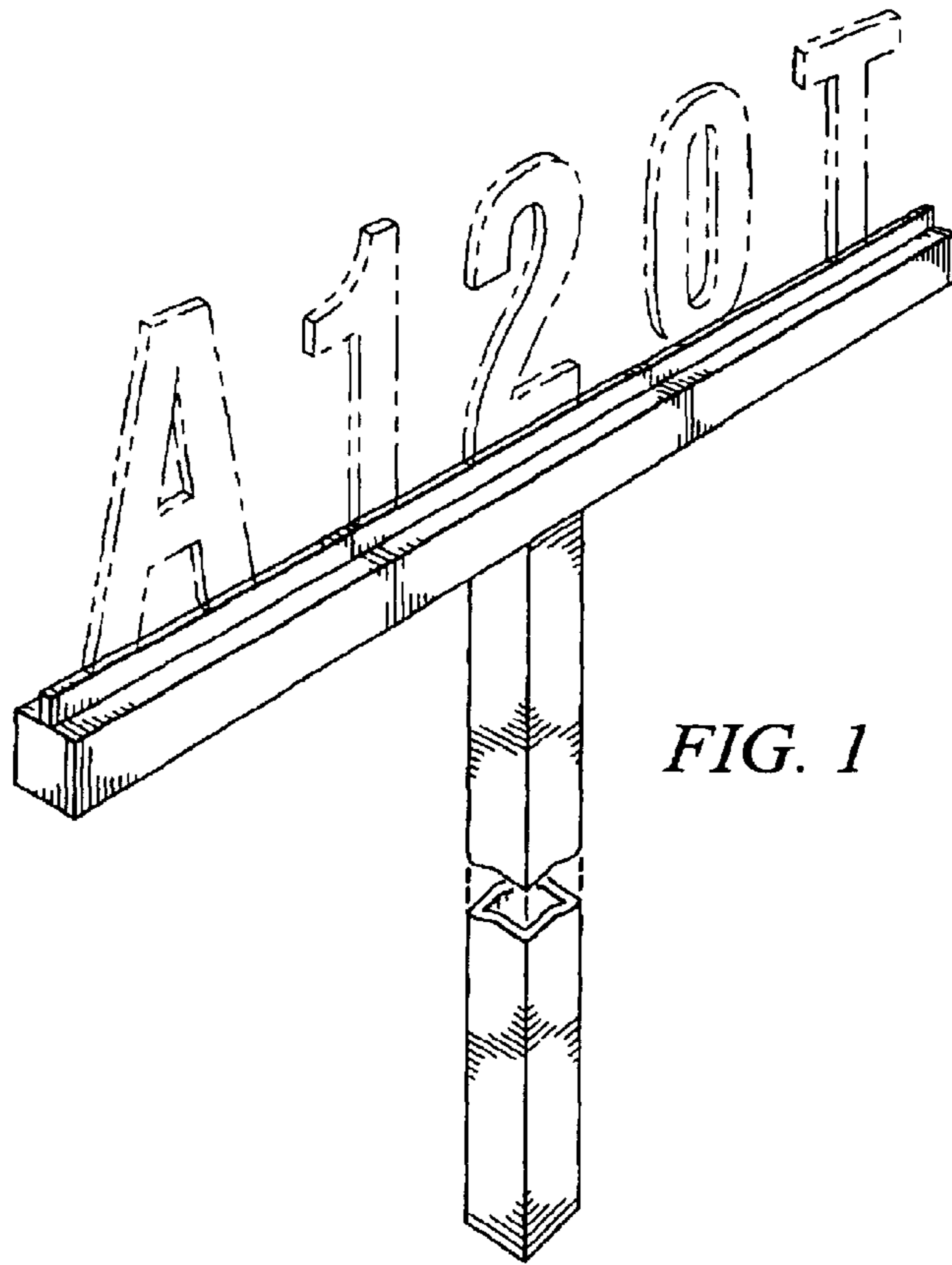


FIG. 1

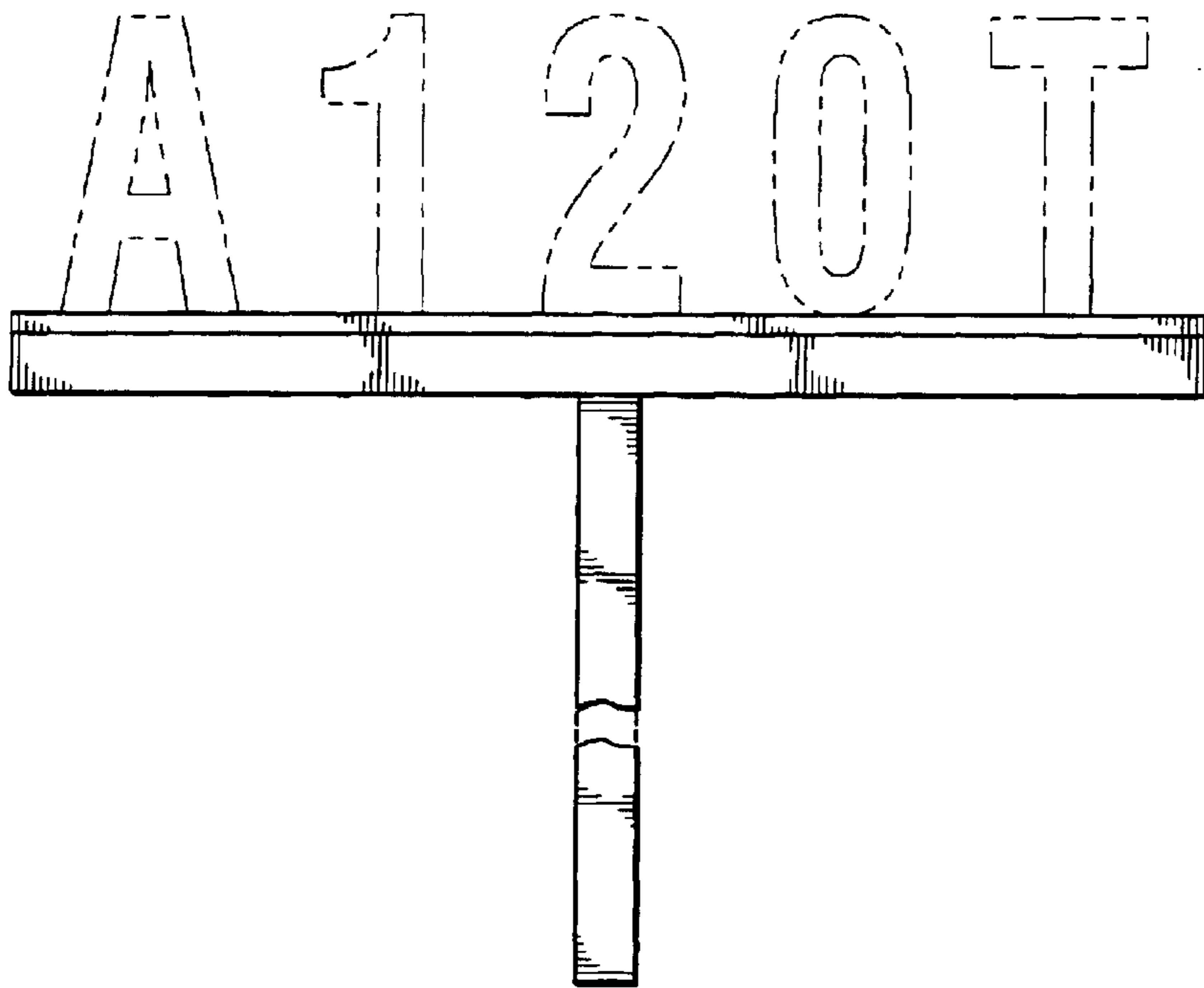


FIG. 2



FIG. 3

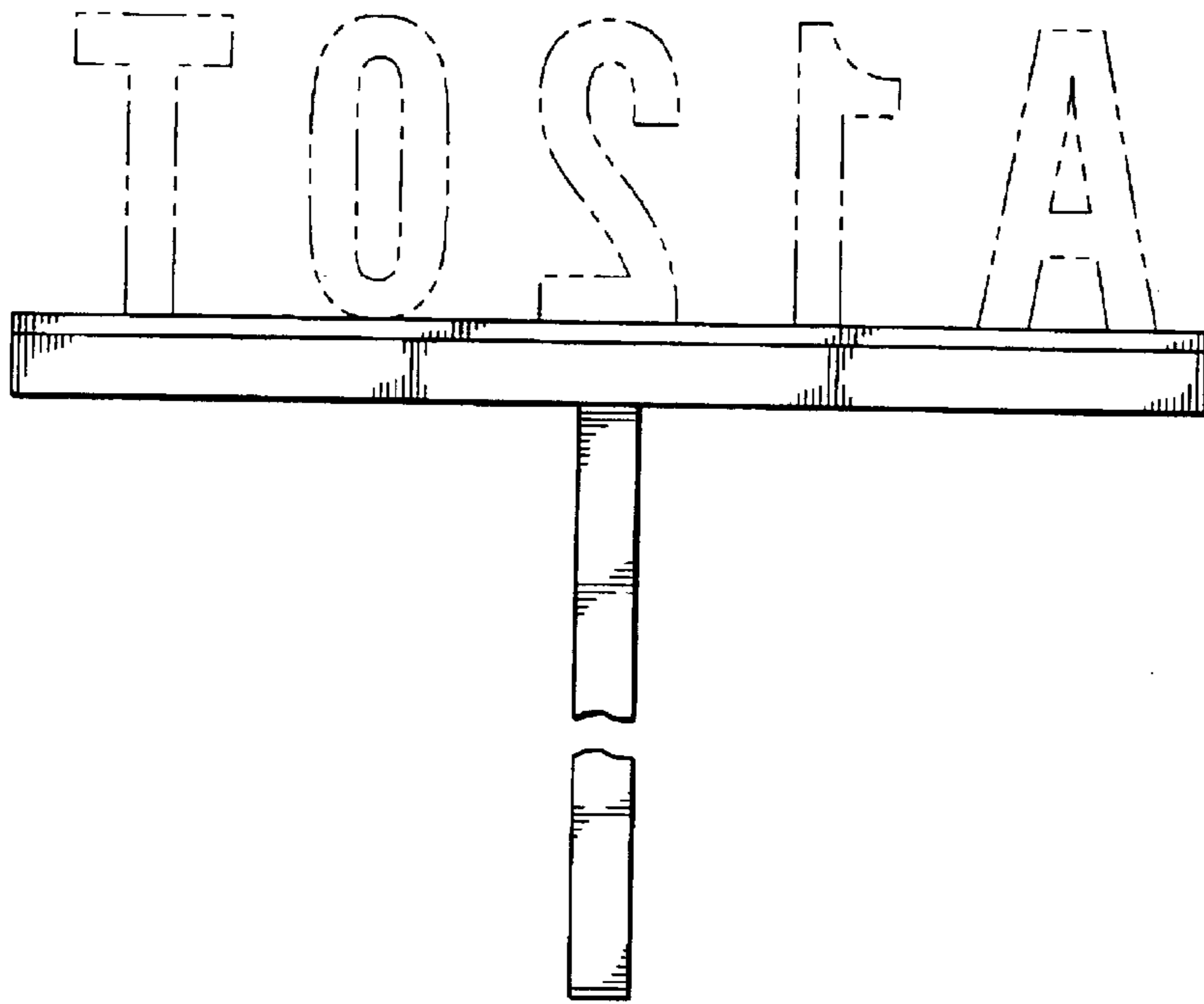


FIG. 4

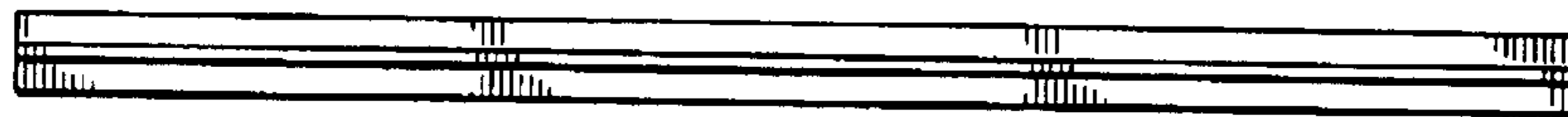


FIG. 5

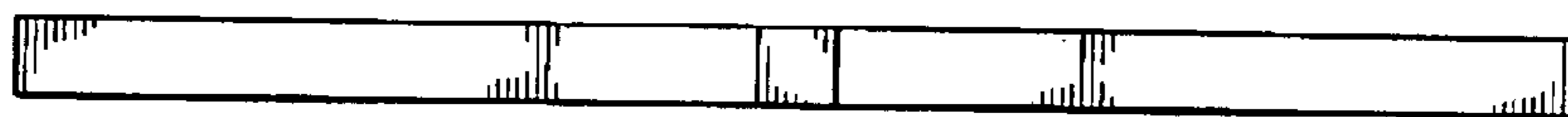


FIG. 6

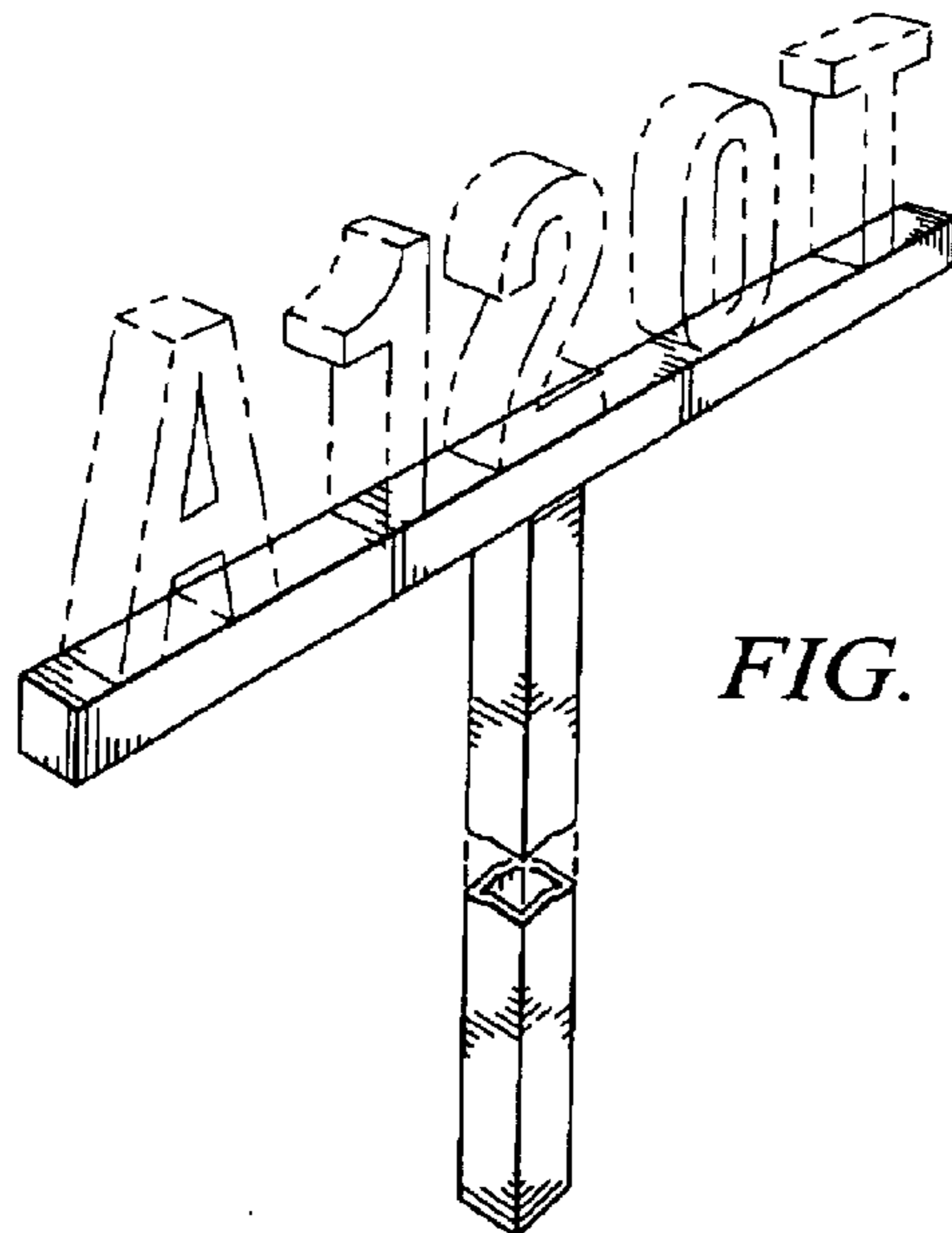


FIG. 7