

US00D494629S1

(12) **United States Design Patent**
Carter et al.

(10) **Patent No.: US D494,629 S**
(45) **Date of Patent: ** Aug. 17, 2004**

- (54) **PEDESTAL FOR SUPPORTING A SIGN**
- (75) Inventors: **Wallace T. Carter**, Wilmington, NC (US); **Brad Forrest**, Cary, NC (US); **Tom Hines**, Rocky Point, NC (US); **Mac McRorie**, Raleigh, NC (US)
- (73) Assignee: **ArchiForm, Inc.**, Wilmington, NC (US)
- (**) Term: **14 Years**

D72,203 S	*	3/1927	Chevalier	D20/10
D110,454 S	*	7/1938	Baum	D25/60
D186,380 S	*	10/1959	Miller	D6/303
3,778,945 A	*	12/1973	Medow	52/217
D354,409 S	*	1/1995	Tatum et al.	D6/447
D355,677 S	*	2/1995	Taylor	D20/10
D361,093 S	*	8/1995	Pitts	D20/17
D375,170 S	*	10/1996	Rose et al.	D25/59
D434,451 S	*	11/2000	Grimshaw	D20/10
D465,811 S	*	11/2002	Schaub	D20/10
D466,943 S	*	12/2002	Schaub	D20/10

- (21) Appl. No.: **29/185,664**
- (22) Filed: **Jul. 2, 2003**

* cited by examiner

Primary Examiner—Robert M. Spear
(74) *Attorney, Agent, or Firm*—Diller, Ramik & Wight

- (51) **LOC (7) Cl.** **20-03**
- (52) **U.S. Cl.** **D20/38**
- (58) **Field of Search** D20/10, 29-39, D20/99; D25/60-61; 40/428, 541, 584-585, 606.01, 607.01, 624

(57) **CLAIM**

The ornamental design for a pedestal for supporting a sign, as shown and described.

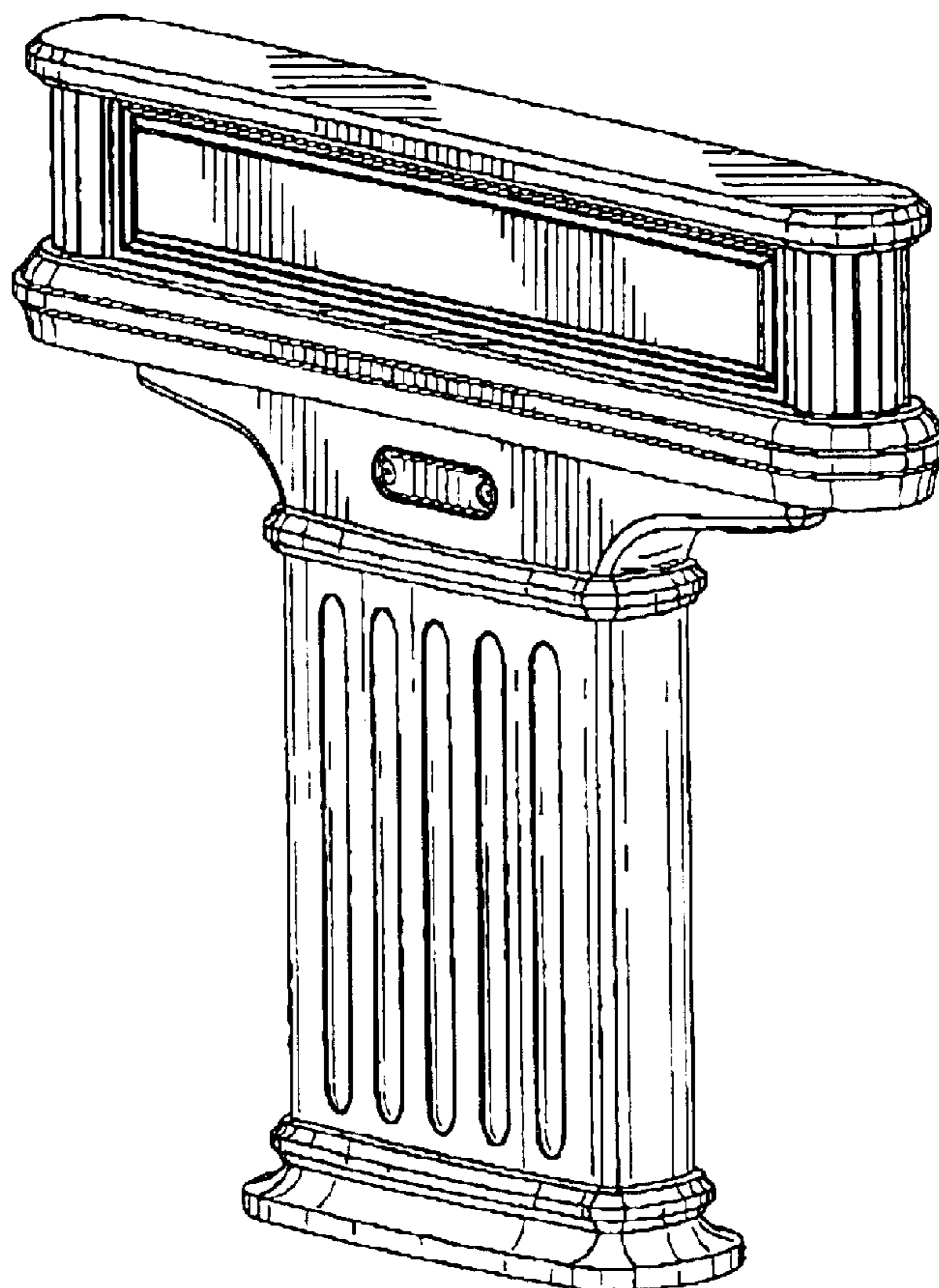
DESCRIPTION

FIG. 1 is a perspective view showing my new design, FIG. 2 is both a left and a right side elevational view, FIG. 3 is both a front and a rear elevational view, FIG. 4 is a top plan view; and, FIG. 5 is a bottom plan view.

(56) **References Cited**
U.S. PATENT DOCUMENTS

D4,345 S	*	9/1870	Whittemore	D25/55
D6,746 S	*	7/1873	Burnham et al.	D20/42
597,688 A	*	1/1898	Percy		
D45,838 S	*	5/1914	Hopkins et al.	D20/39
D62,994 S	*	9/1923	Kaucher	D20/10

1 Claim, 3 Drawing Sheets



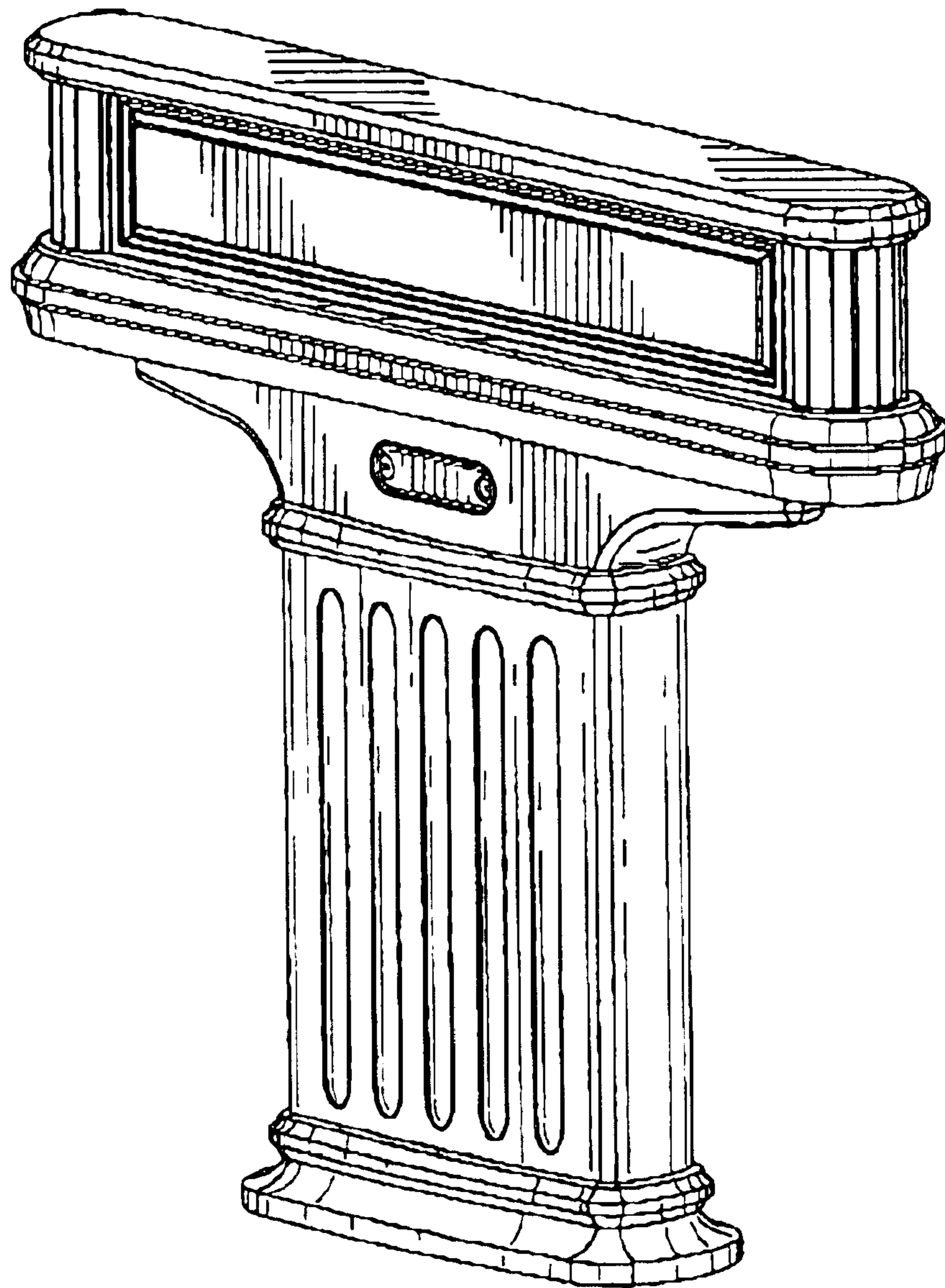


FIG. 1

FIG. 2

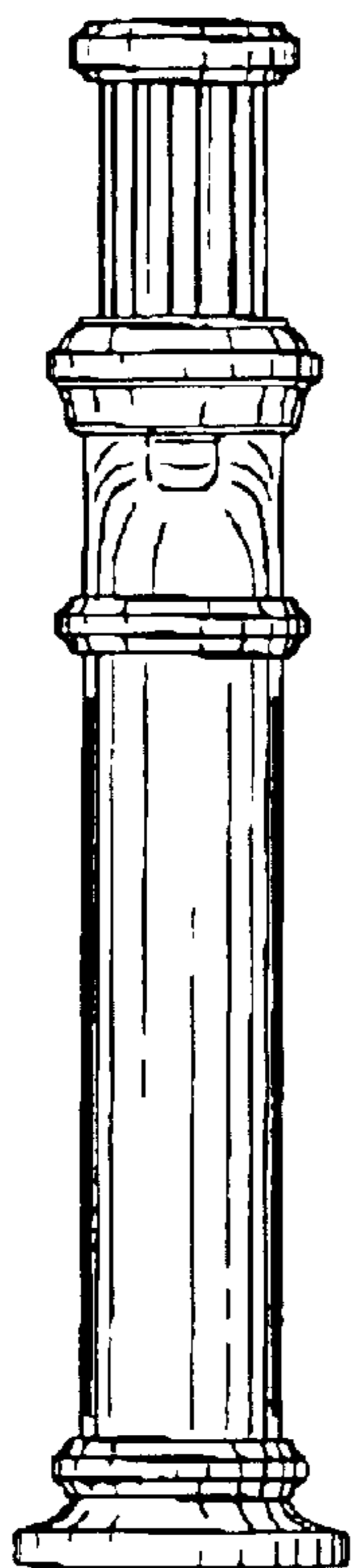
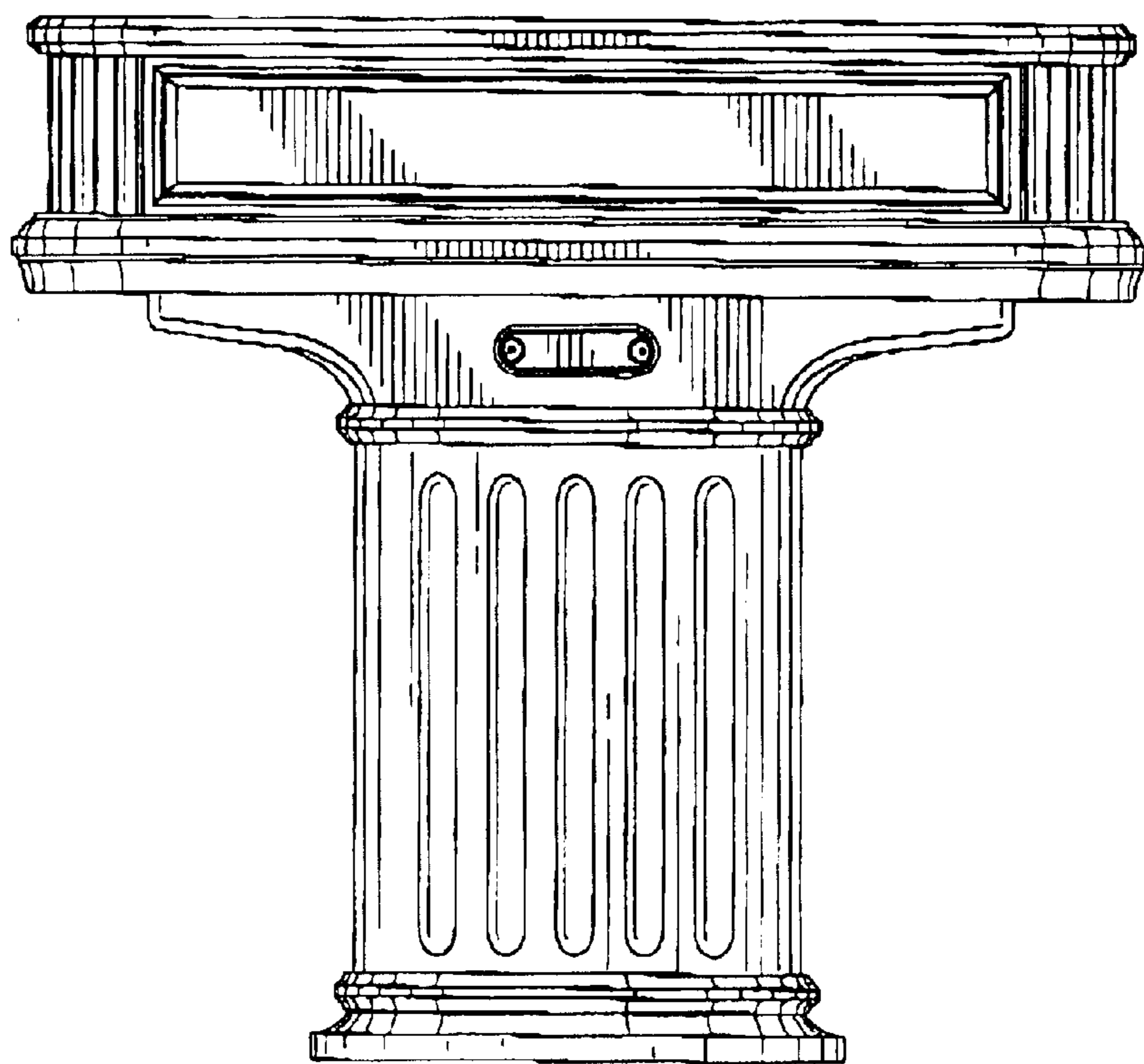


FIG. 3



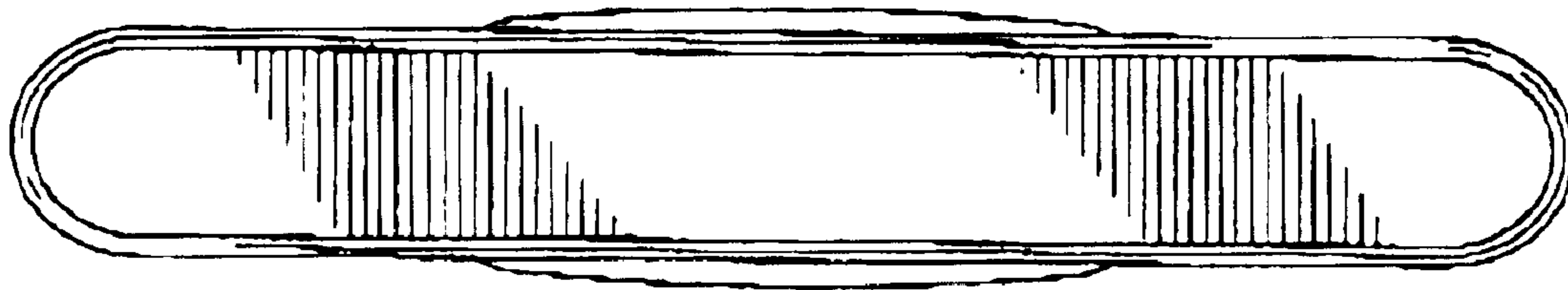


FIG. 4

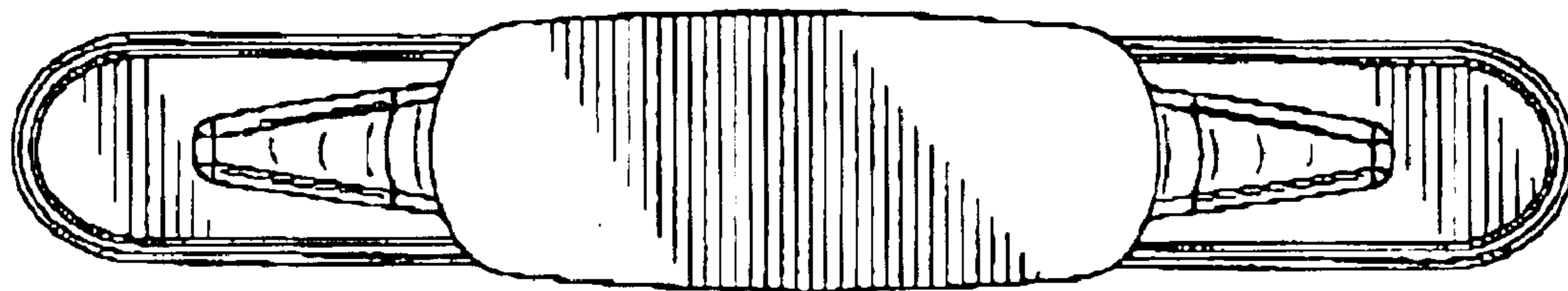


FIG. 5