

US00D494627S1

(12) **United States Design Patent**
Misumi

(10) **Patent No.:** **US D494,627 S**

(45) **Date of Patent:** **** Aug. 17, 2004**

(54) **SIZE TAG**

(76) **Inventor:** **Hideo Misumi**, 3-4-9, Nagaremach, Hirano-ku, Osaka-shi, Osaka-fu (JP)

(**) **Term:** **14 Years**

(21) **Appl. No.:** **29/185,010**

(22) **Filed:** **Jun. 23, 2003**

(51) **LOC (7) Cl.** **19-08**

(52) **U.S. Cl.** **D20/22**

(58) **Field of Search** D20/10, 19, 22,
D20/40, 42; 24/704.1; 40/301, 322, 660,
661.04, 664, 668

(56) **References Cited**

U.S. PATENT DOCUMENTS

D206,518 S	*	12/1966	Evans	D20/43
3,535,808 A	*	10/1970	Morrish	40/322
4,694,781 A	*	9/1987	Howe et al.	119/655
4,748,757 A	*	6/1988	Howe	40/301

5,535,491 A	*	7/1996	Allport	24/429
6,546,652 B1	*	4/2003	Gardner et al.	40/302
2003/0000119 A1	*	1/2003	Savy	40/301

* cited by examiner

Primary Examiner—Robert M. Spear
(74) *Attorney, Agent, or Firm*—Wenderoth, Lind & Ponack, L.L.P.

(57) **CLAIM**

The ornamental design for a size tag, as shown.

DESCRIPTION

FIG. 1 is a perspective view of a size tag according to the design of the present invention;
FIG. 2 is a front view of the size tag;
FIG. 3 is a back view of the size tag;
FIG. 4 is a top view of the size tag;
FIG. 5 is a right side view of the size tag; and,
FIG. 6 is a left side view of the size tag.

1 Claim, 3 Drawing Sheets

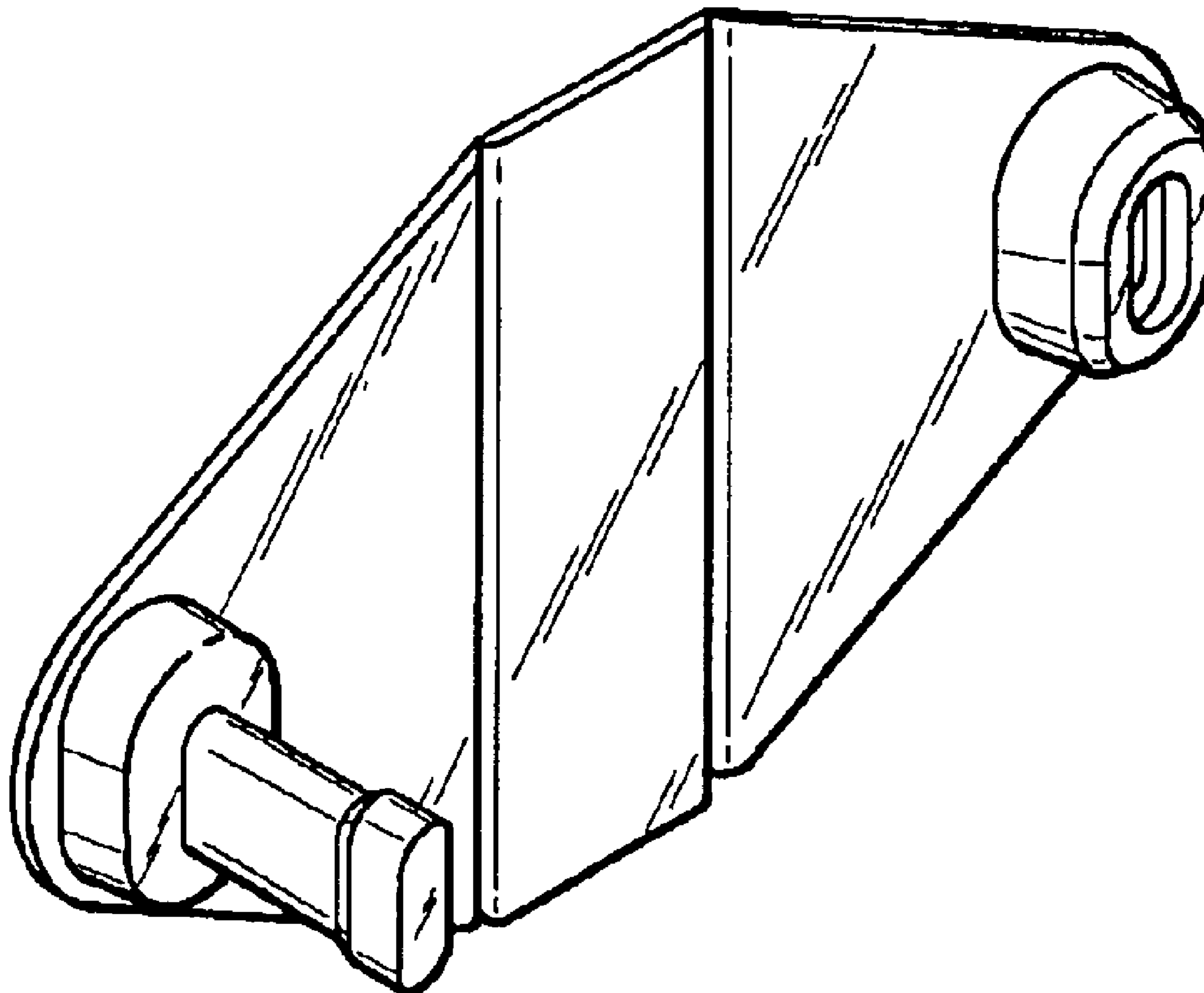


Fig. 1

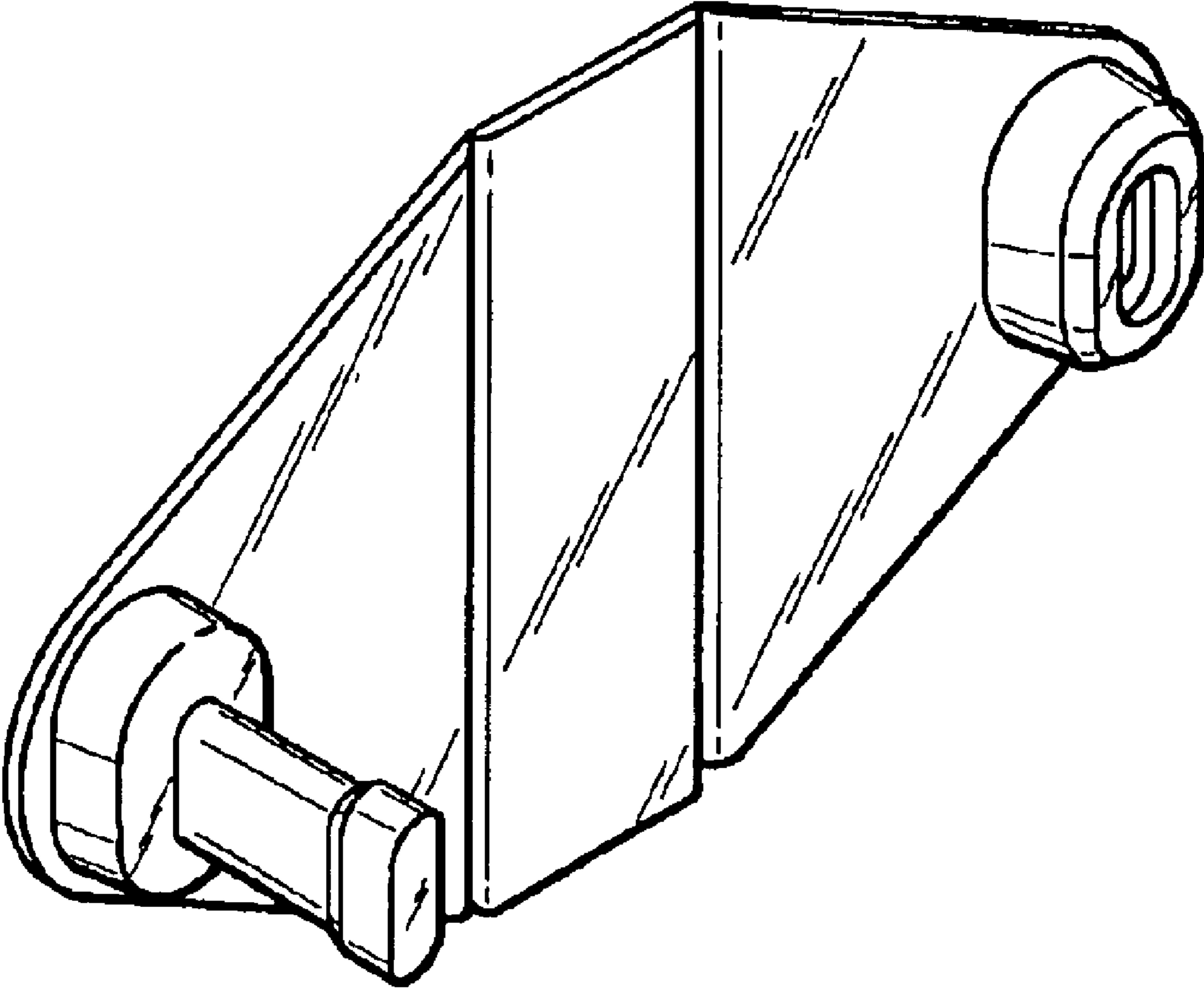


Fig. 2

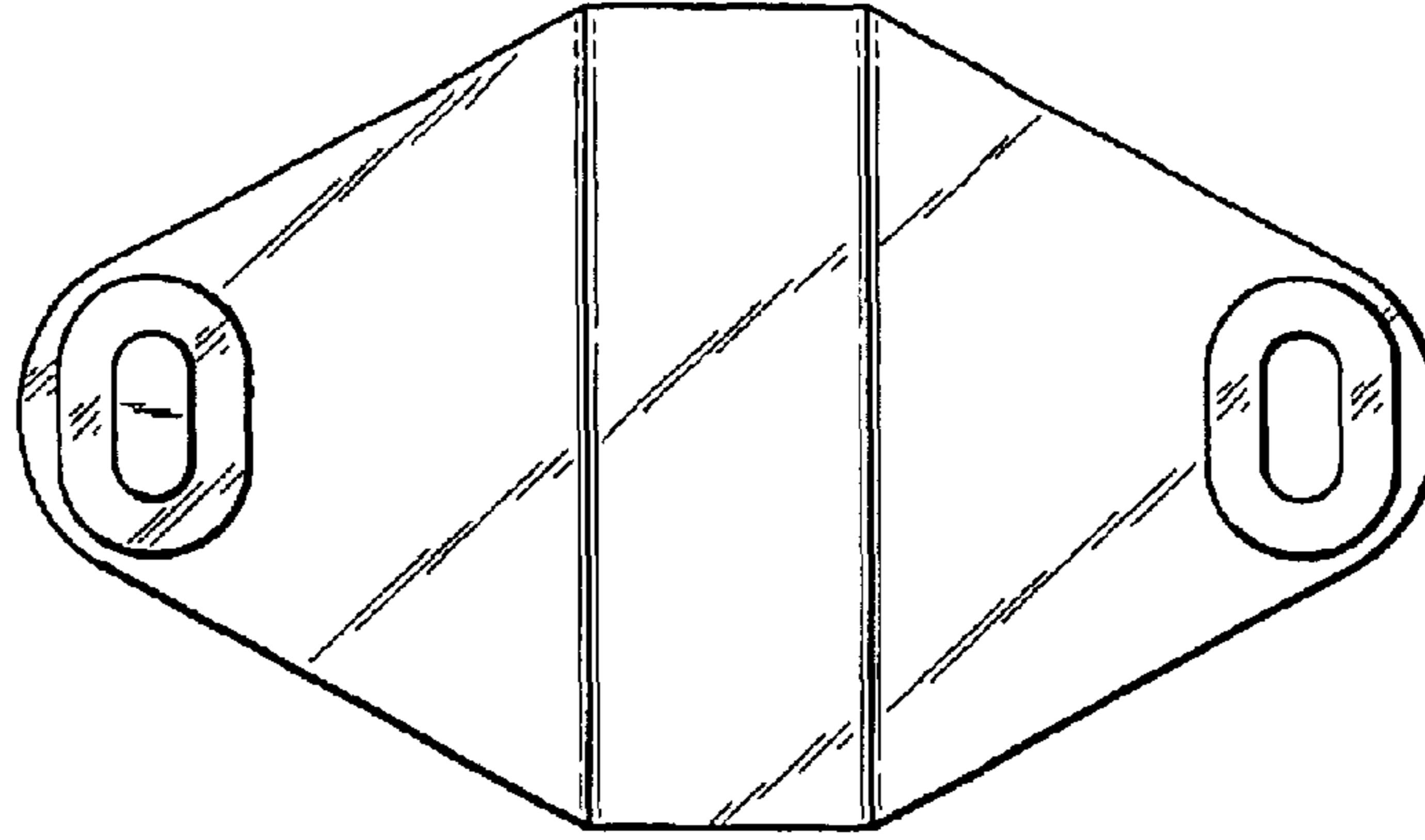


Fig. 3

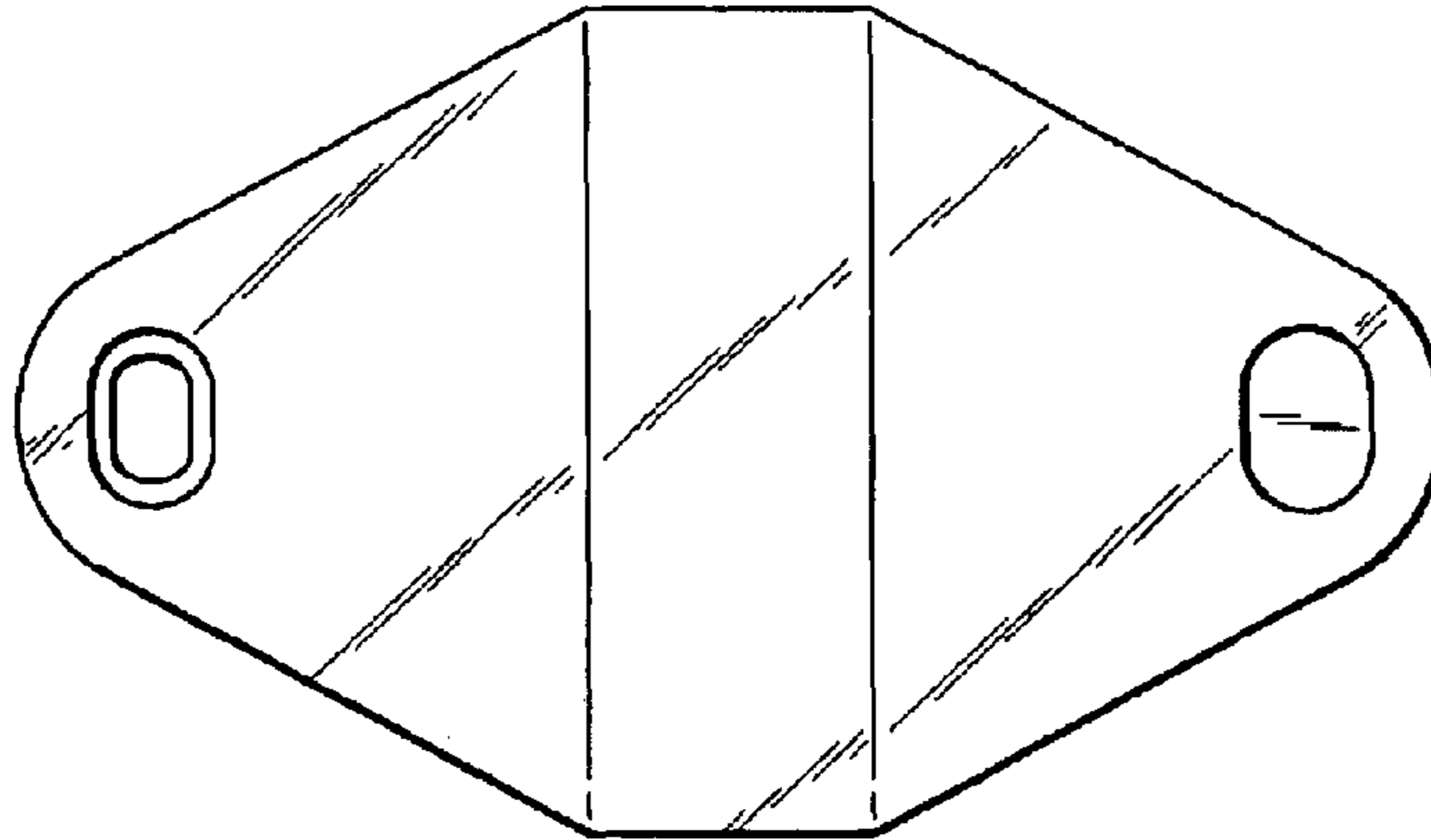


Fig. 4

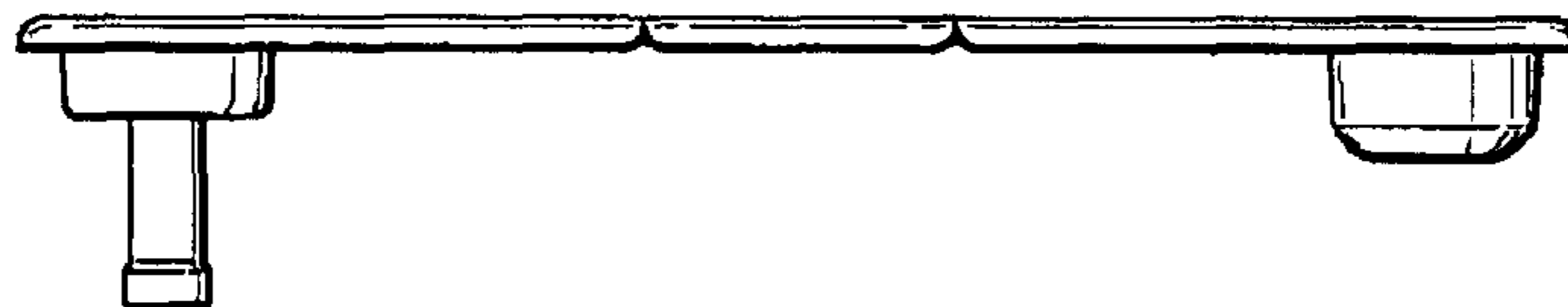


Fig. 5

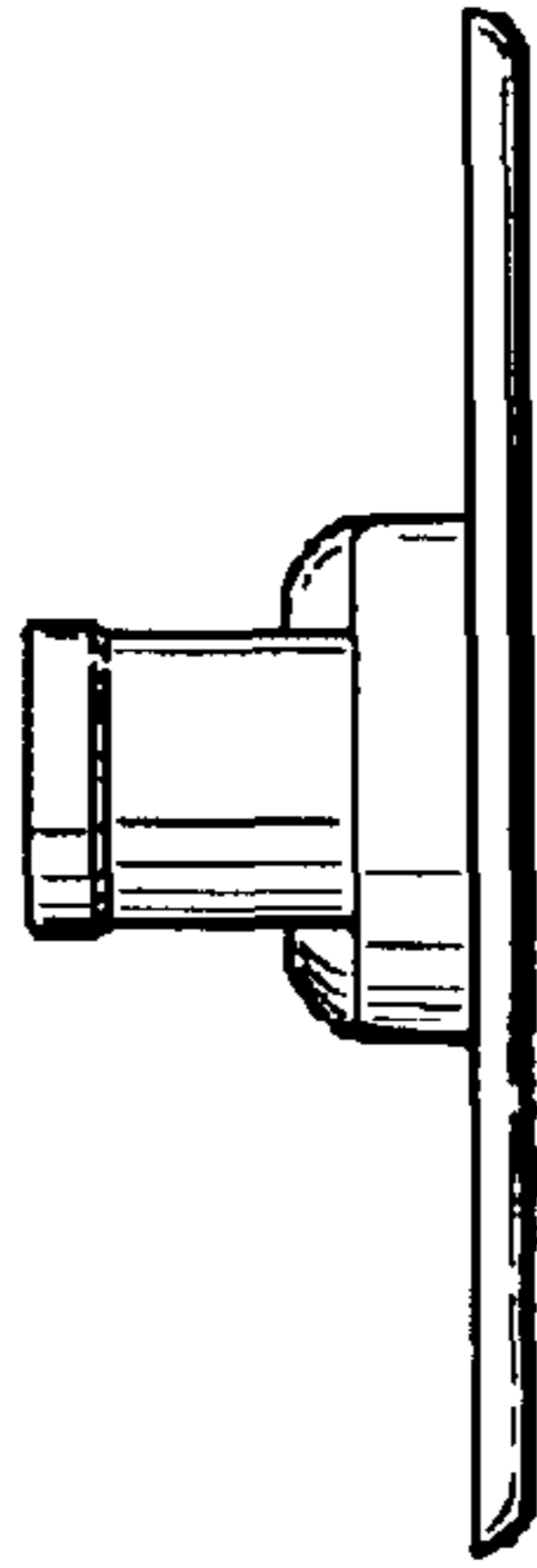


Fig. 6

