



US00D494624S1

(12) **United States Design Patent**  
**Danon**

(10) **Patent No.:** **US D494,624 S**

(45) **Date of Patent:** **\*\* Aug. 17, 2004**

(54) **SCISSOR HOLDER WITH BUILT IN PENCIL SHARPENER**

(75) **Inventor:** **Sandra R. Danon**, Los Angeles, CA (US)

(73) **Assignee:** **Stravina Operating Company, LLC**, Chatsworth, CA (US)

(\*\*) **Term:** **14 Years**

(21) **Appl. No.:** **29/192,474**

(22) **Filed:** **Oct. 23, 2003**

(51) **LOC (7) Cl.** ..... **19-06**

(52) **U.S. Cl.** ..... **D19/73; D19/75; D19/82; D8/57**

(58) **Field of Search** ..... **D21/548; D19/65, D19/73, 74, 75, 81-85, 95, 96, 97, 99, 100; D8/57, 71, 102, 104, 105; 144/28.1, 28.11, 28.2-28.9, 28.71, 28.72; 206/214, 224, 371; 312/352; 30/451-454, 457, 462**

(56) **References Cited**

**U.S. PATENT DOCUMENTS**

D126,734 S \* 4/1941 Ross ..... D19/73  
2,491,307 A \* 12/1949 Fulton ..... 312/352  
D160,161 S \* 9/1950 Gass ..... D19/77

D179,223 S \* 11/1956 Schwartz ..... D8/104  
D234,058 S \* 1/1975 Stahel ..... D19/65 X  
D282,476 S \* 2/1986 Arigaya ..... D21/548  
4,753,346 A \* 6/1988 Tsuji ..... 206/371  
D309,474 S \* 7/1990 Murai ..... D19/75  
D316,273 S \* 4/1991 Tsuji ..... D19/82 X  
D359,219 S \* 6/1995 Thomas ..... D8/104  
D436,132 S \* 1/2001 Abbott ..... D19/97 X

\* cited by examiner

*Primary Examiner*—Martie K. Holtje

(57) **CLAIM**

The ornamental design for a scissor holder with built in pencil sharpener, as shown.

**DESCRIPTION**

FIG. 1 is a top front and side perspective view of a scissor holder with built in pencil sharpener embodying my new design;

FIG. 2 is a top elevational view thereof;

FIG. 3 is a bottom elevational view thereof;

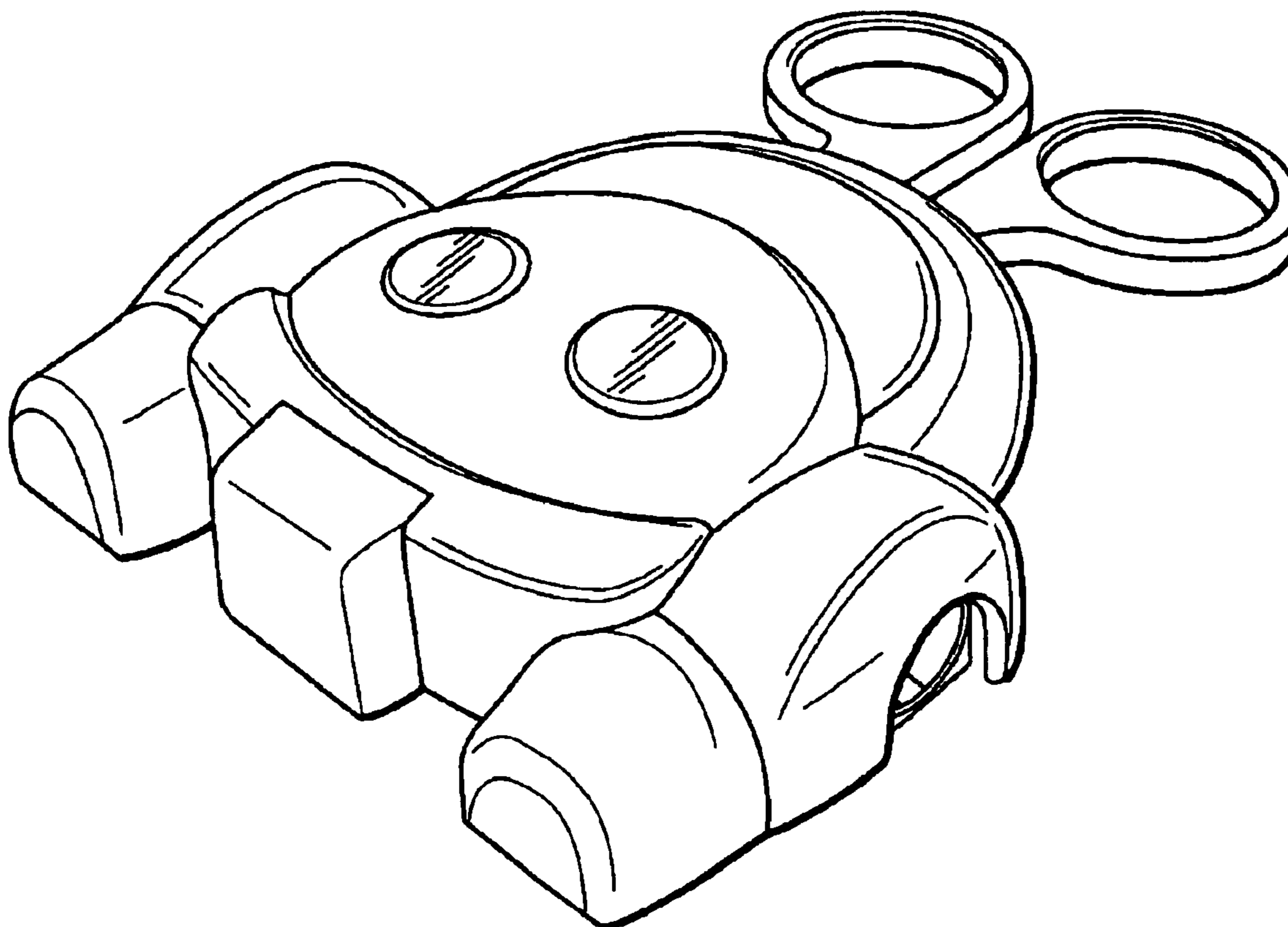
FIG. 4 is a right side elevational view thereof;

FIG. 5 is a left side elevational view thereof;

FIG. 6 is a rear elevational view thereof; and,

FIG. 7 is a front elevational view thereof.

**1 Claim, 2 Drawing Sheets**



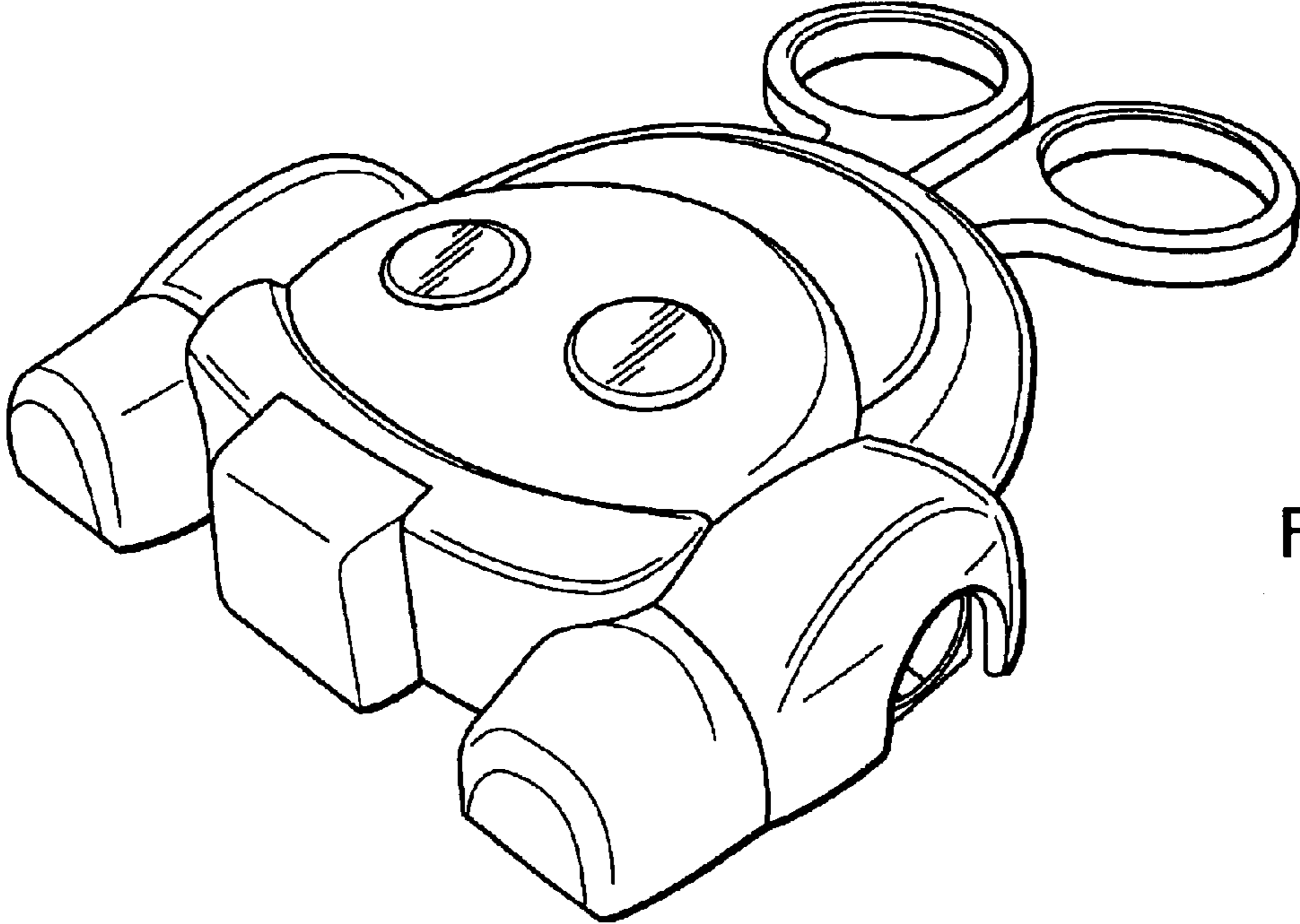


FIG. 1

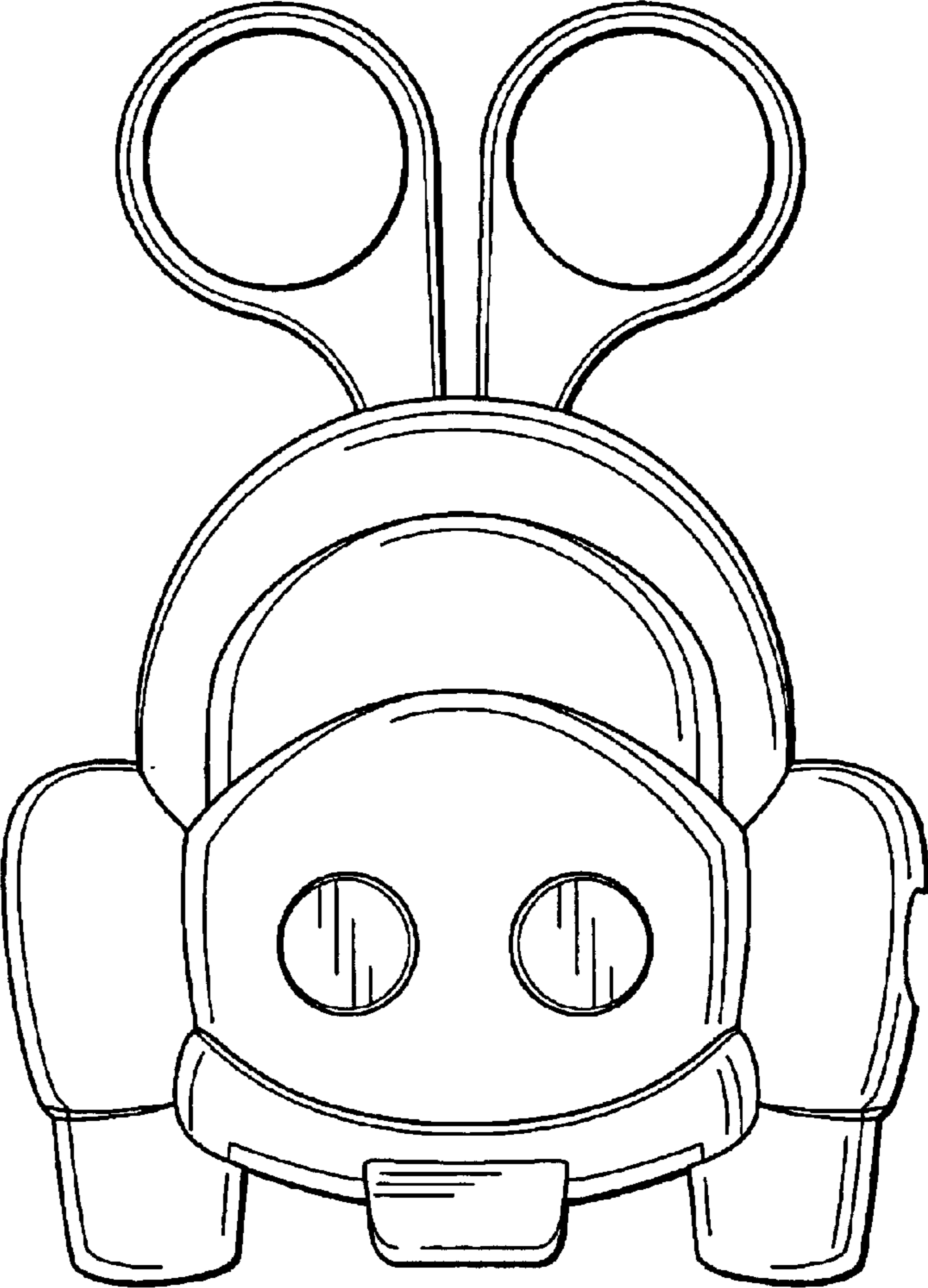


FIG. 2

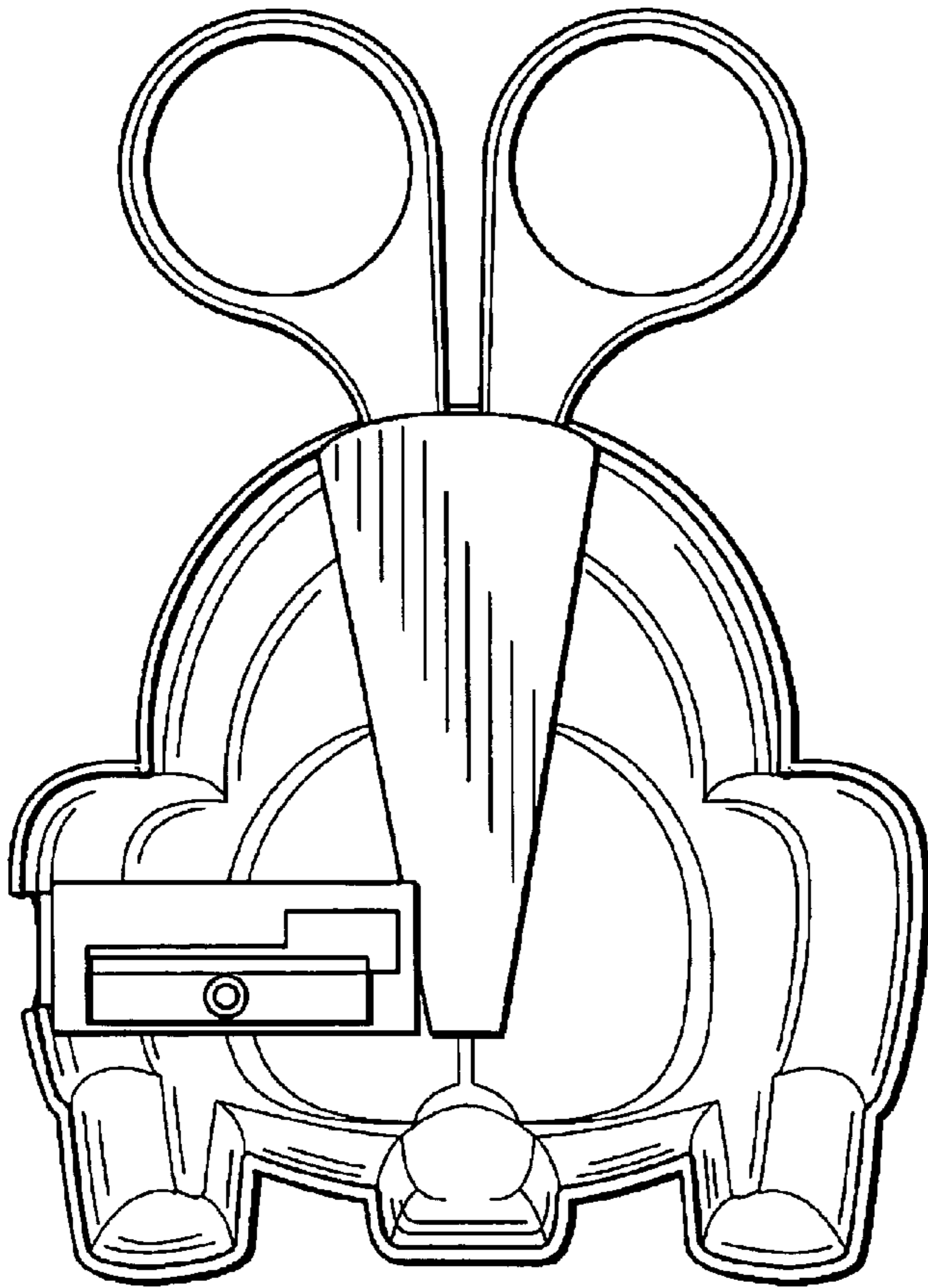


FIG. 3

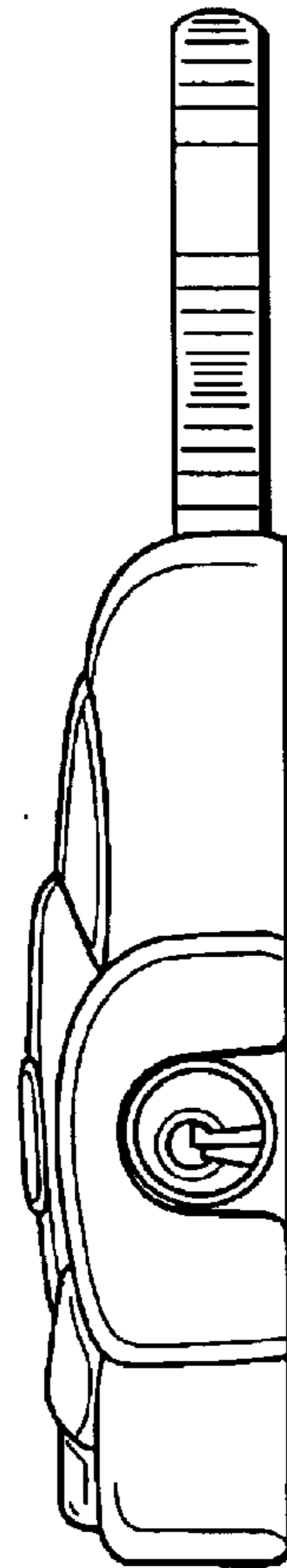


FIG. 4

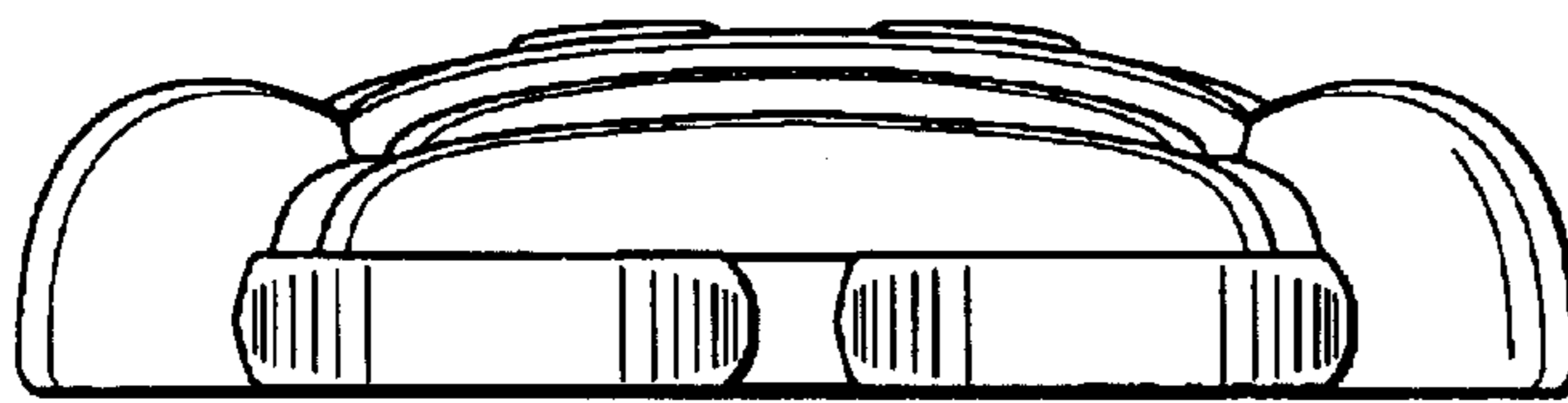


FIG. 6

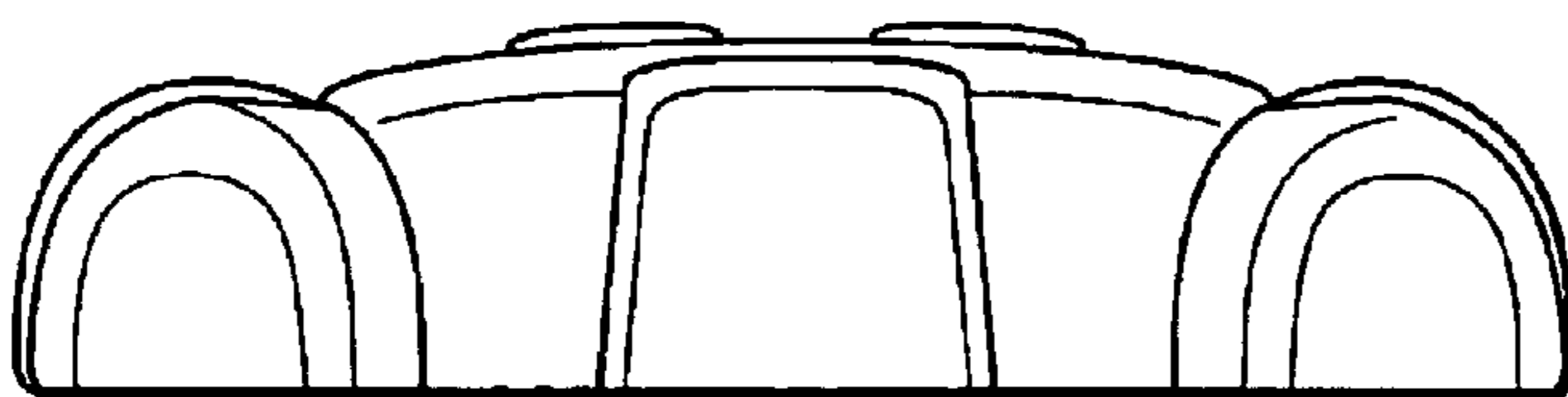


FIG. 7



FIG. 5