

US00D494614S1

(12) **United States Design Patent**
Eskey et al.

(10) **Patent No.:** **US D494,614 S**
(45) **Date of Patent:** **** Aug. 17, 2004**

- (54) **SUPPLEMENTAL PAPER TRAY**
- (75) Inventors: **Eric Eskey**, Meridian, ID (US); **Harold Miller**, Nampa, ID (US)
- (73) Assignee: **Hewlett-Packard Development Company, L.P.**, Houston, TX (US)
- (**) Term: **14 Years**
- (21) Appl. No.: **29/189,380**
- (22) Filed: **Sep. 4, 2003**
- (51) **LOC (7) Cl.** **18-99**
- (52) **U.S. Cl.** **D18/49; D18/44; D18/56**
- (58) **Field of Search** D18/36-40, 44, D18/46-50, 56; 271/3.01, 3.08, 3.14, 8.1, 147, 171, 278; 355/72; 399/16, 361-380, 388-393, 405

(56) **References Cited**
U.S. PATENT DOCUMENTS

D369,824 S	*	5/1996	Miyamoto	D18/49
D374,030 S	*	9/1996	Horiki et al.	D18/36
D379,196 S	*	5/1997	Laidlaw	D18/55
D413,622 S	*	9/1999	Brown et al.	D18/49
D415,192 S	*	10/1999	Laidlaw	D18/49
D436,987 S	*	1/2001	Suzuki et al.	D18/55
D475,399 S	*	6/2003	Todd	D18/49

* cited by examiner

Primary Examiner—Caron D. Veynar

(57) **CLAIM**

The ornamental design for a supplemental paper tray, as shown and described.

DESCRIPTION

FIG. 1 is right-front isometric view of the supplemental paper tray of our design depicting the supplemental paper tray in use with an imaging apparatus.

FIG. 2 is right-front isometric view of the supplemental paper tray of our design.

FIG. 3 is a front elevation view of the supplemental paper tray of our design.

FIG. 4 is a rear elevation view of the supplemental paper tray of our design.

FIG. 5 is a top plan view of the supplemental paper tray of our design.

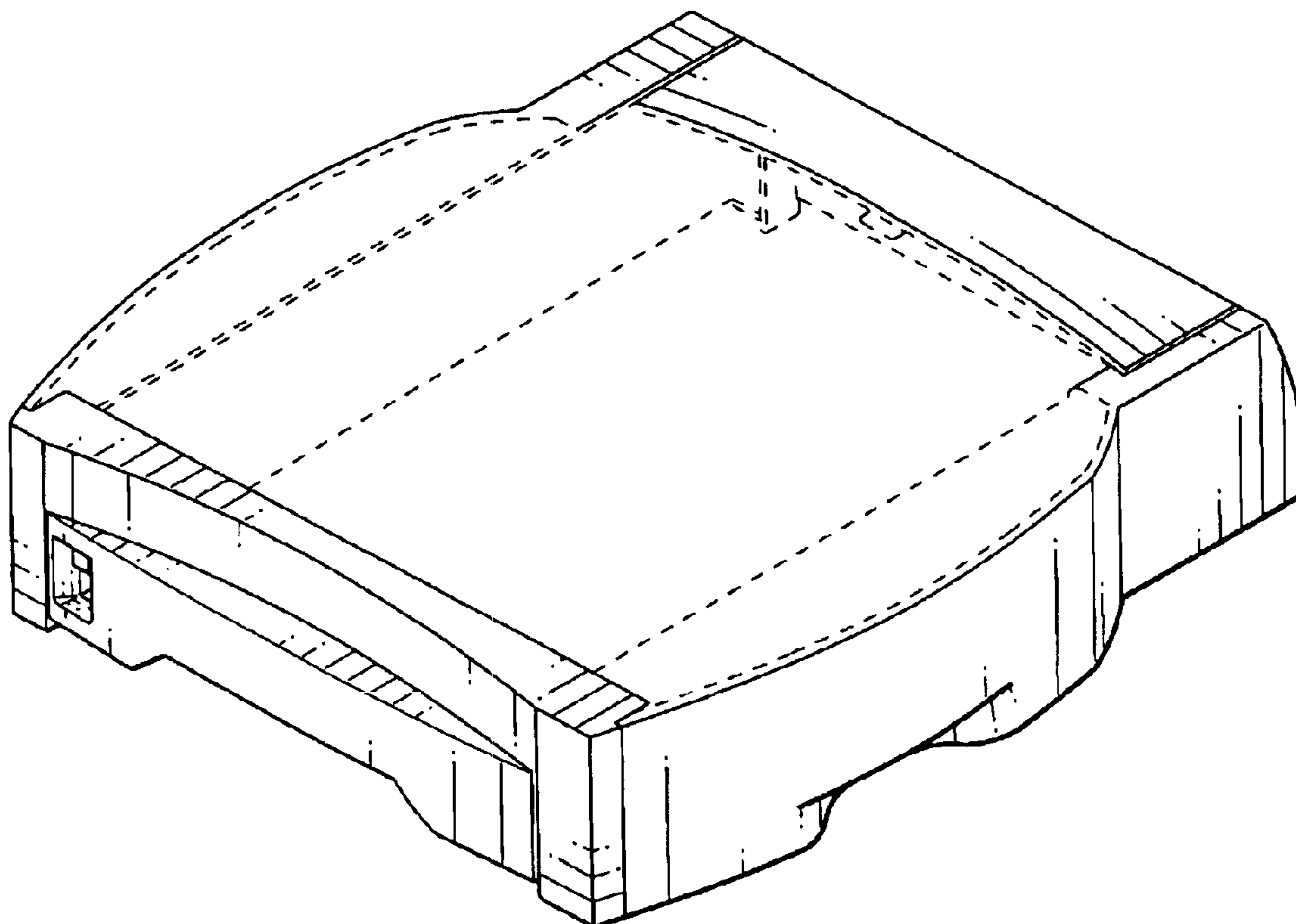
FIG. 6 is a left side elevation view of the supplemental paper tray of our design.

FIG. 7 a right side elevation view of the supplemental paper tray of our design; and,

FIG. 8 is a bottom plan view of the supplemental paper tray of our design.

The broken lines in the figures are for purposes of illustration and form no part of the claimed design.

1 Claim, 5 Drawing Sheets



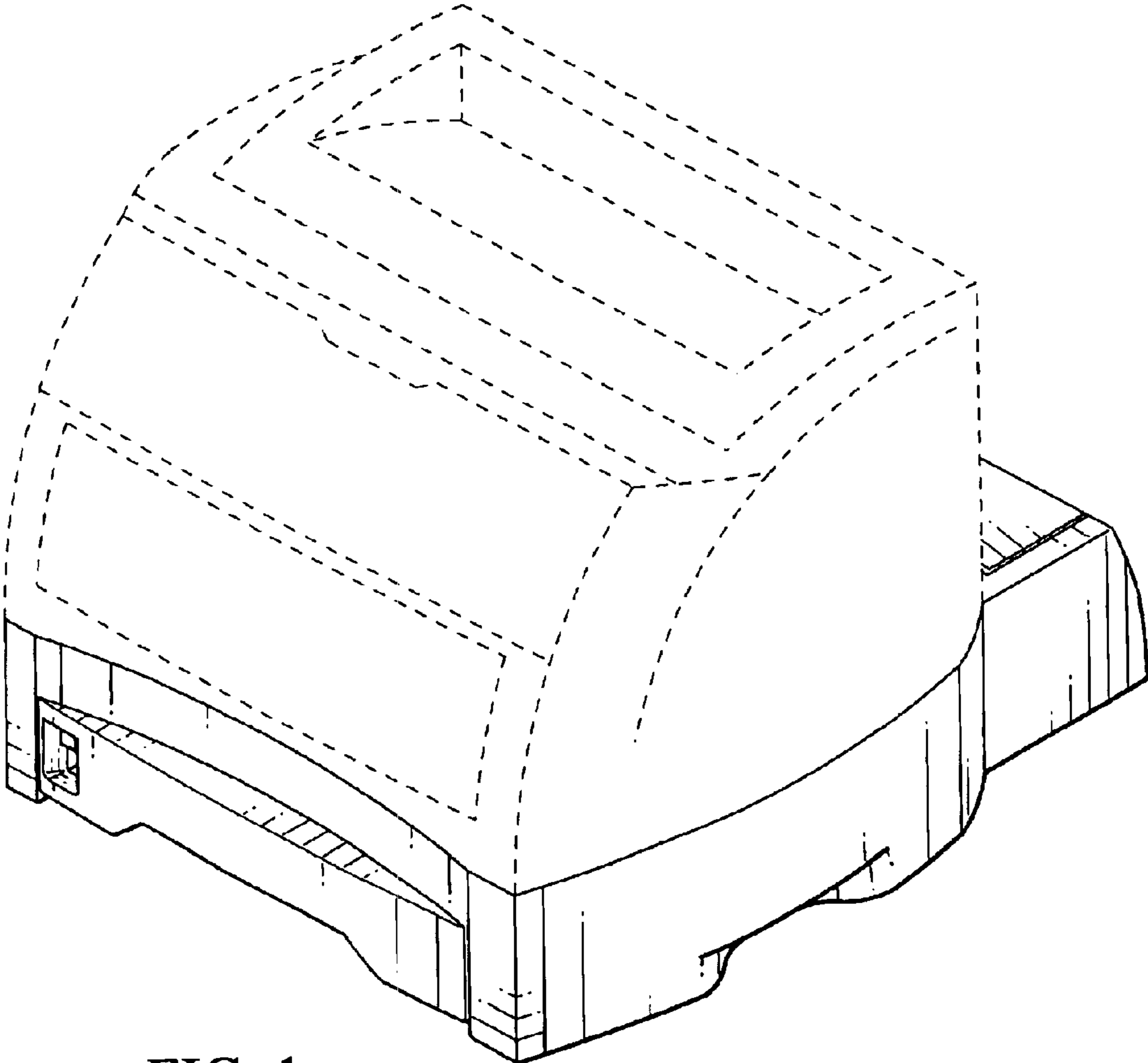


FIG. 1

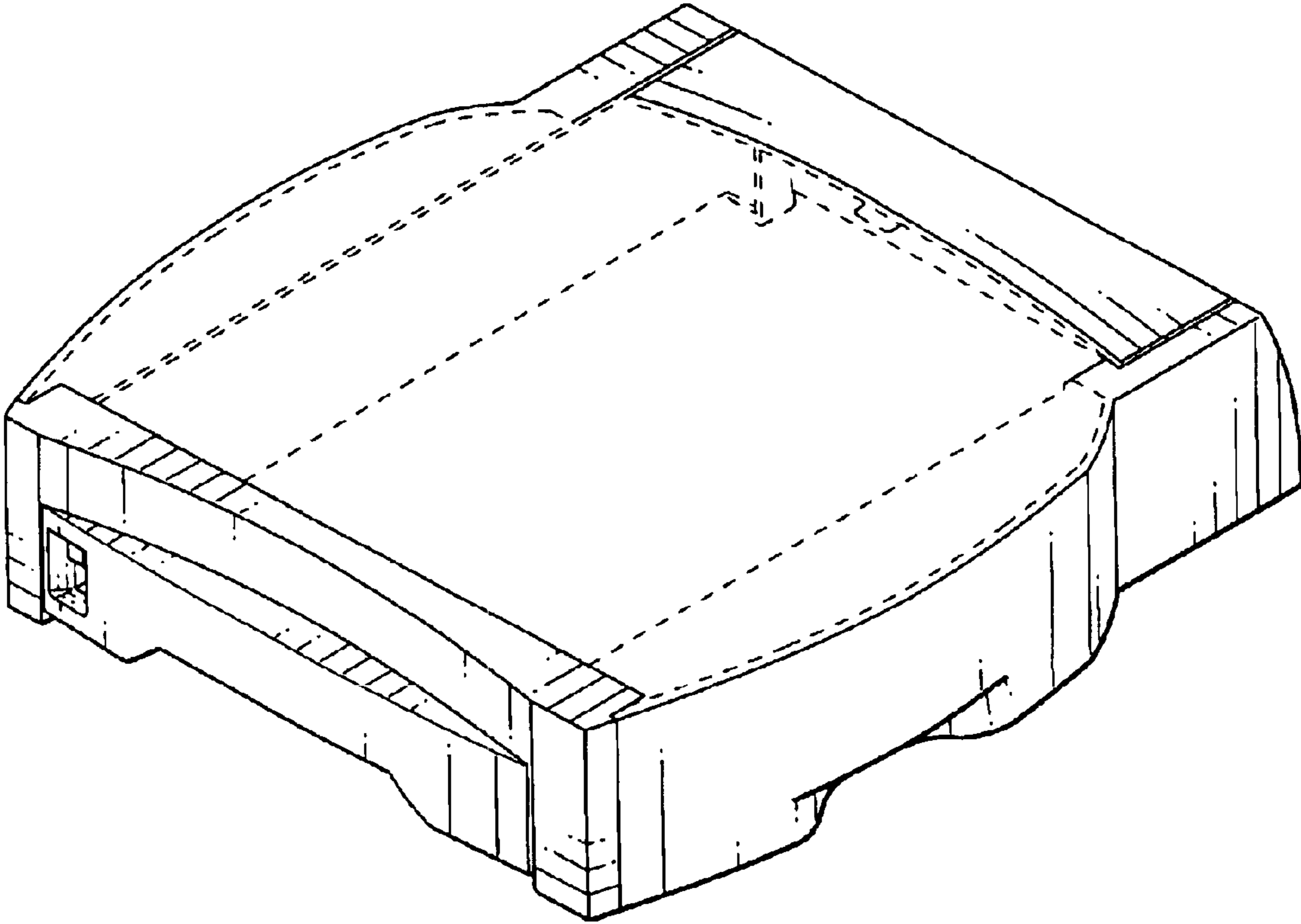


FIG. 2

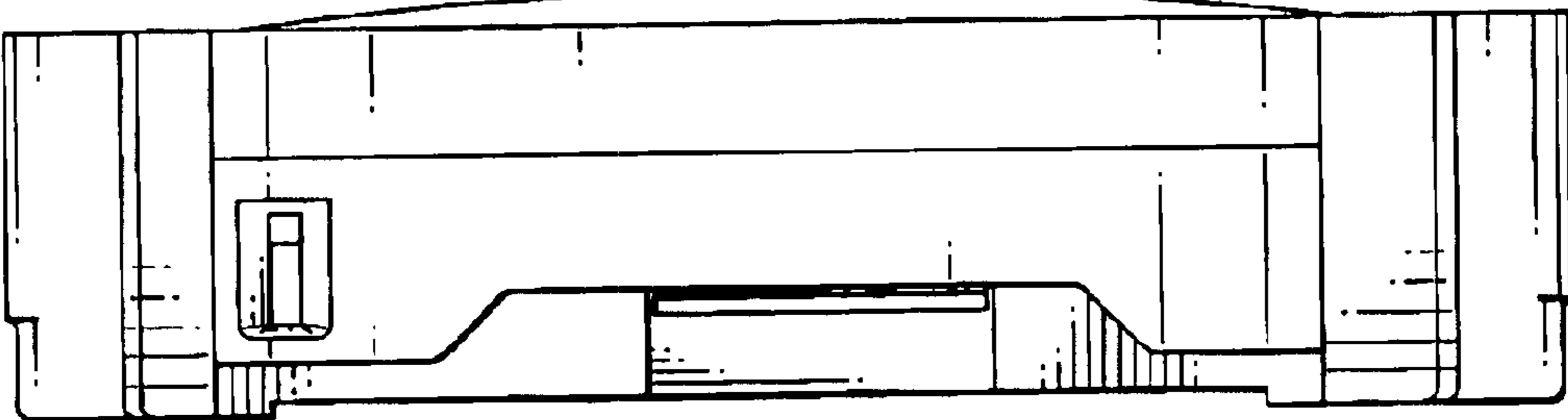


FIG. 3

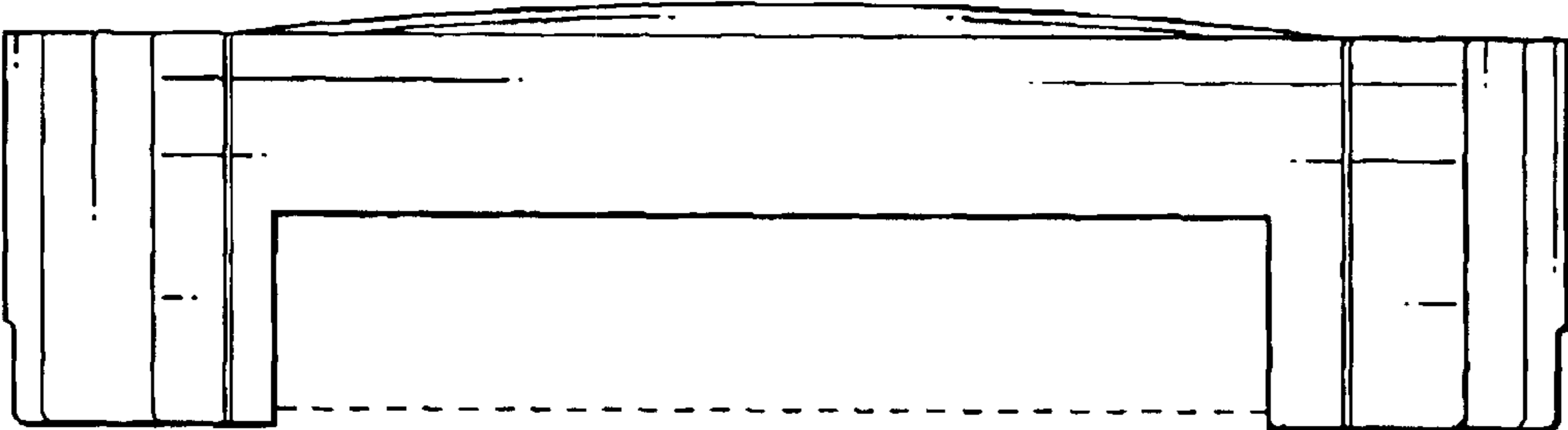


FIG. 4

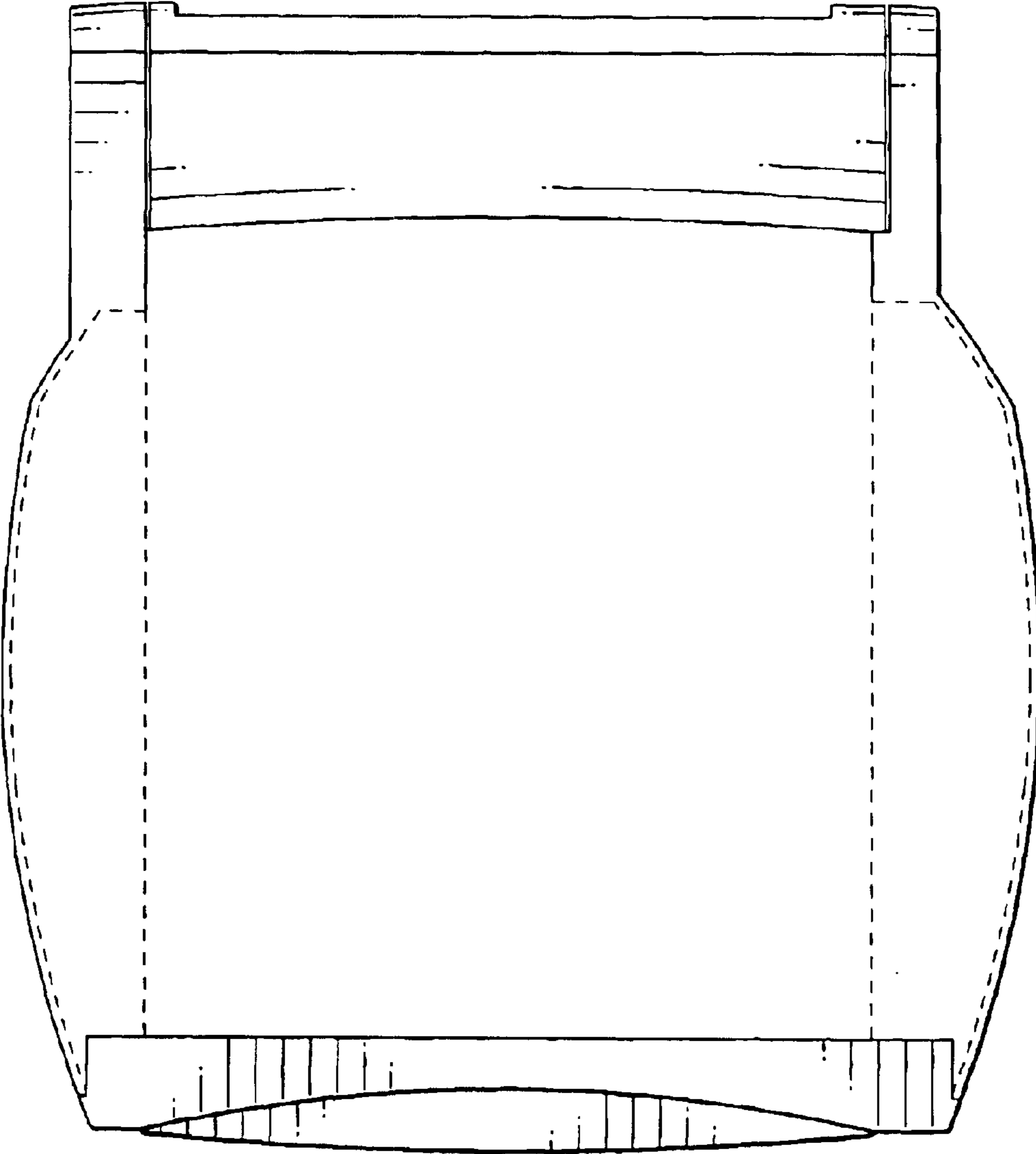


FIG. 5

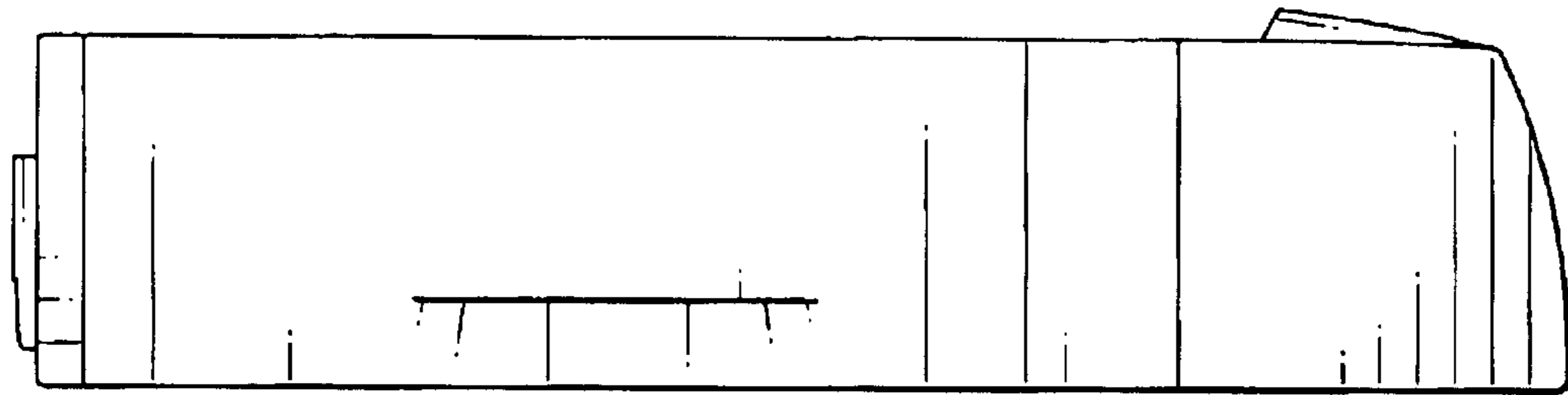


FIG. 6

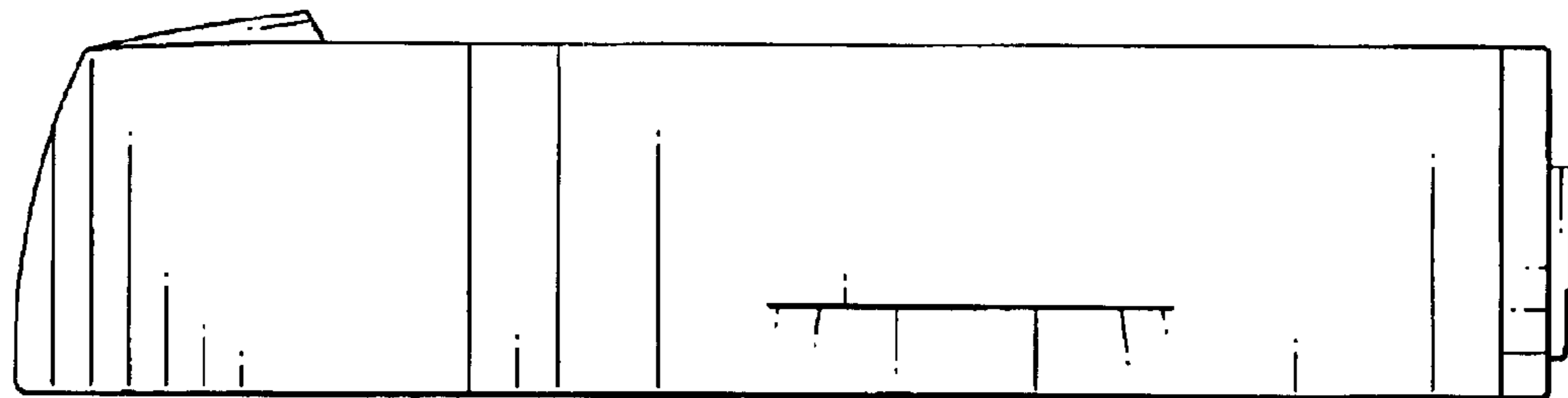


FIG. 7

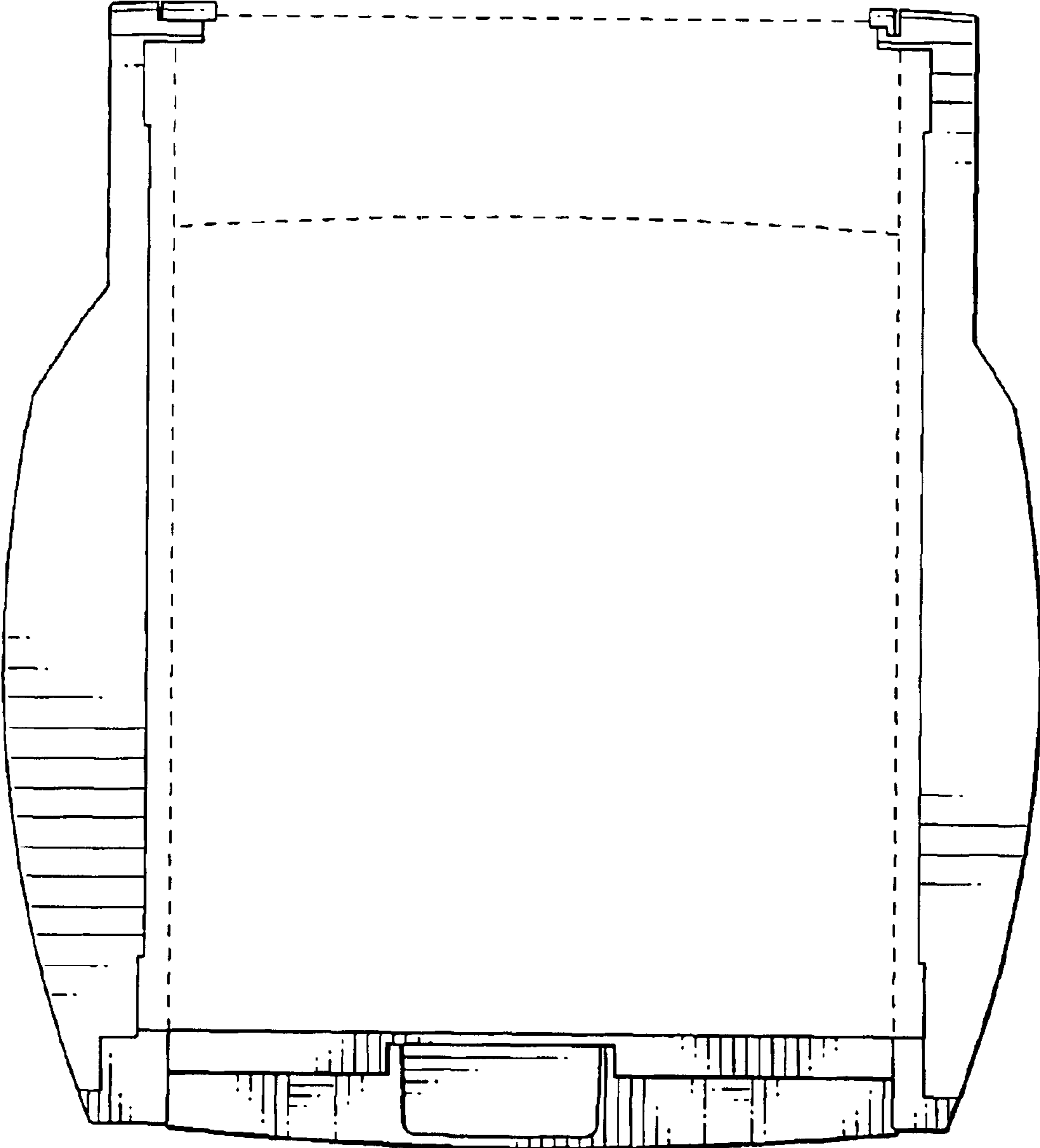


FIG. 8