

US00D494611S1

(12) **United States Design Patent**  
**Nakamura**

(10) **Patent No.:** **US D494,611 S**  
(45) **Date of Patent:** **\*\* Aug. 17, 2004**

(54) **DIGITAL STILL CAMERA**  
(75) **Inventor:** **Makoto Nakamura, Kyoto (JP)**  
(73) **Assignee:** **Matsushita Electric Industrial Co., Ltd., Osaka (JP)**

D470,162 S 2/2003 Nakamura et al. .... D16/202  
D473,576 S 4/2003 Watanabe ..... D16/202  
D473,577 S 4/2003 Nakamura ..... D16/202  
D484,162 S \* 12/2003 Moore et al. .... D16/202  
D486,168 S \* 2/2004 Nakamura ..... D16/202

(\*\*) **Term:** **14 Years**

(21) **Appl. No.:** **29/193,319**

(22) **Filed:** **Nov. 7, 2003**

(30) **Foreign Application Priority Data**

May 9, 2003 (JP) ..... 2003-012906

(51) **LOC (7) Cl.** ..... **16-01**

(52) **U.S. Cl.** ..... **D16/202; D16/218**

(58) **Field of Search** ..... **D16/200-206, D16/208, 217, 218; 348/373-376; 358/906, 909.1; 396/535-541**

(56) **References Cited**

**U.S. PATENT DOCUMENTS**

D243,007 S \* 1/1977 Uellenberg ..... D16/217  
D390,860 S \* 2/1998 Kim ..... D16/217  
D392,659 S 3/1998 Takano ..... D16/202  
D407,098 S 3/1999 Goto et al. .... D16/202  
D418,851 S 1/2000 Goto et al. .... D16/202  
D423,031 S 4/2000 Shinohara et al. .... D16/202  
D441,001 S \* 4/2001 Naito ..... D16/218  
D469,456 S 1/2003 Nakamura et al. .... D16/202

**OTHER PUBLICATIONS**

Copy of Catalog of Digital Still Camera published by Panasonic in 2002.

\* cited by examiner

*Primary Examiner*—Adir Aronovich

(74) *Attorney, Agent, or Firm*—Brinks Hofer Gilson & Lione

(57) **CLAIM**

The ornamental design for a digital still camera, as shown and described.

**DESCRIPTION**

FIG. 1 is a top perspective view of a digital still camera of the present invention;

FIG. 2 is a front view thereof;

FIG. 3 is a rear view thereof;

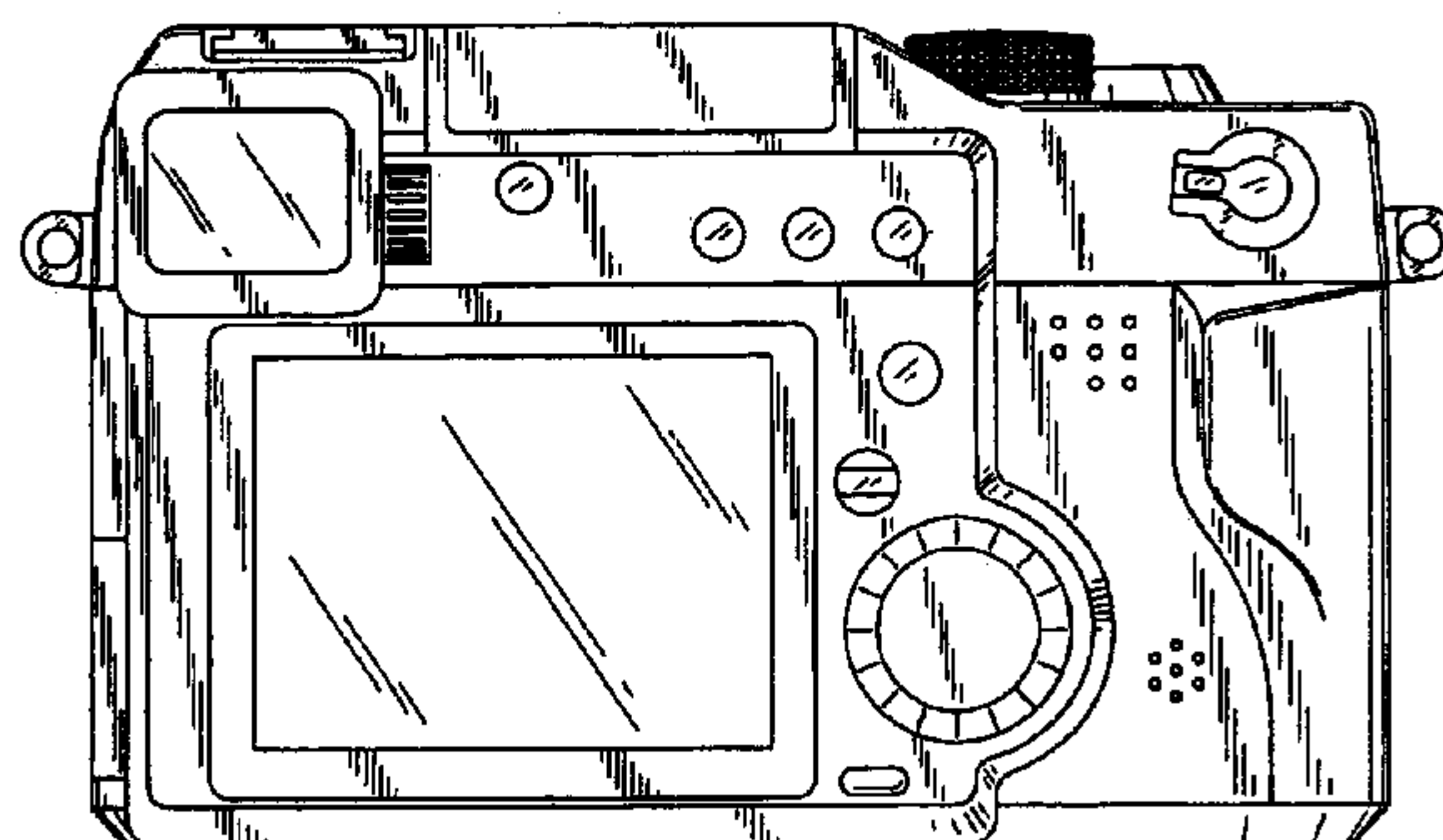
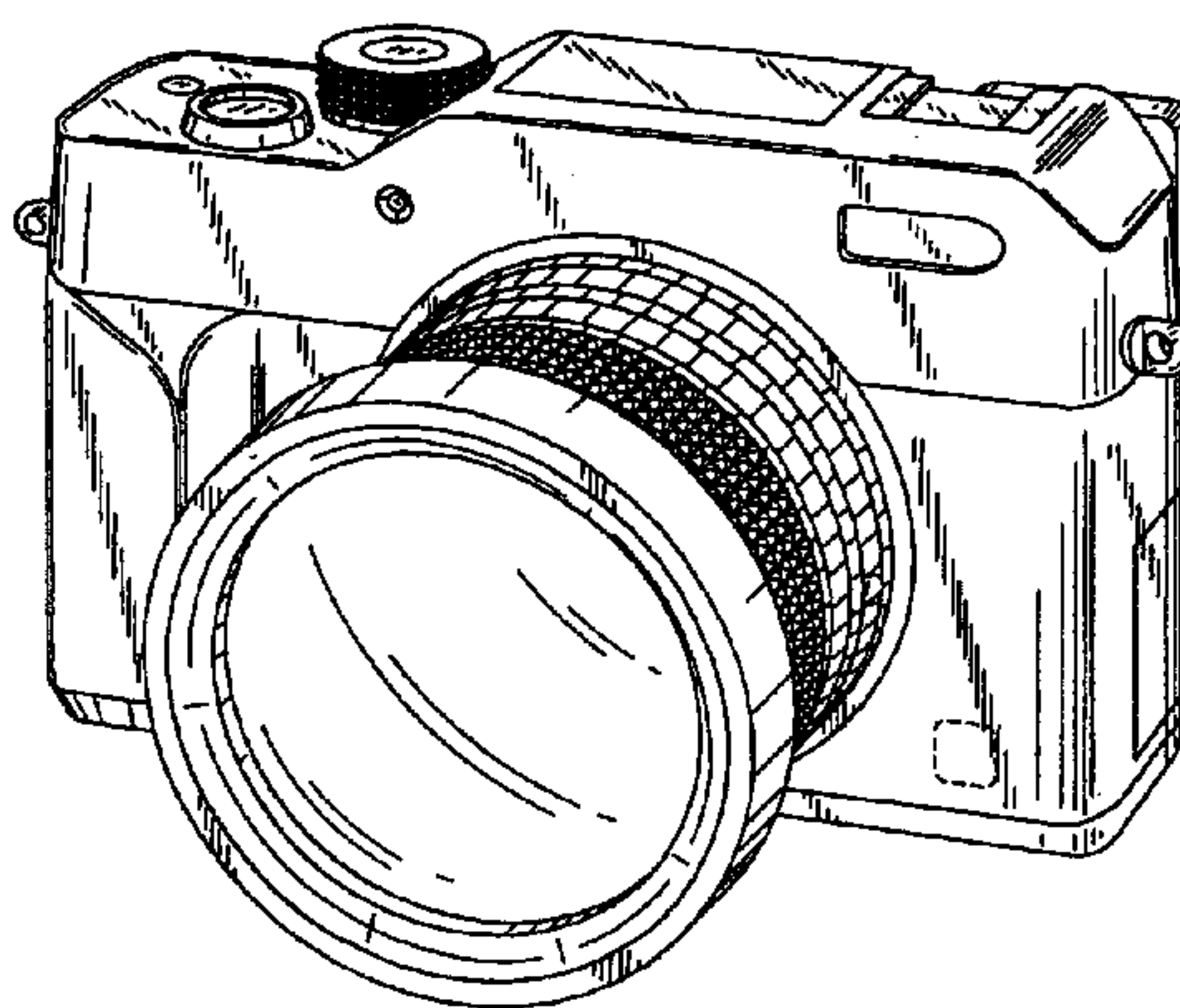
FIG. 4 is a first side view thereof;

FIG. 5 is a second side view thereof;

FIG. 6 is a top view thereof; and,

FIG. 7 is a bottom view thereof.

**1 Claim, 7 Drawing Sheets**



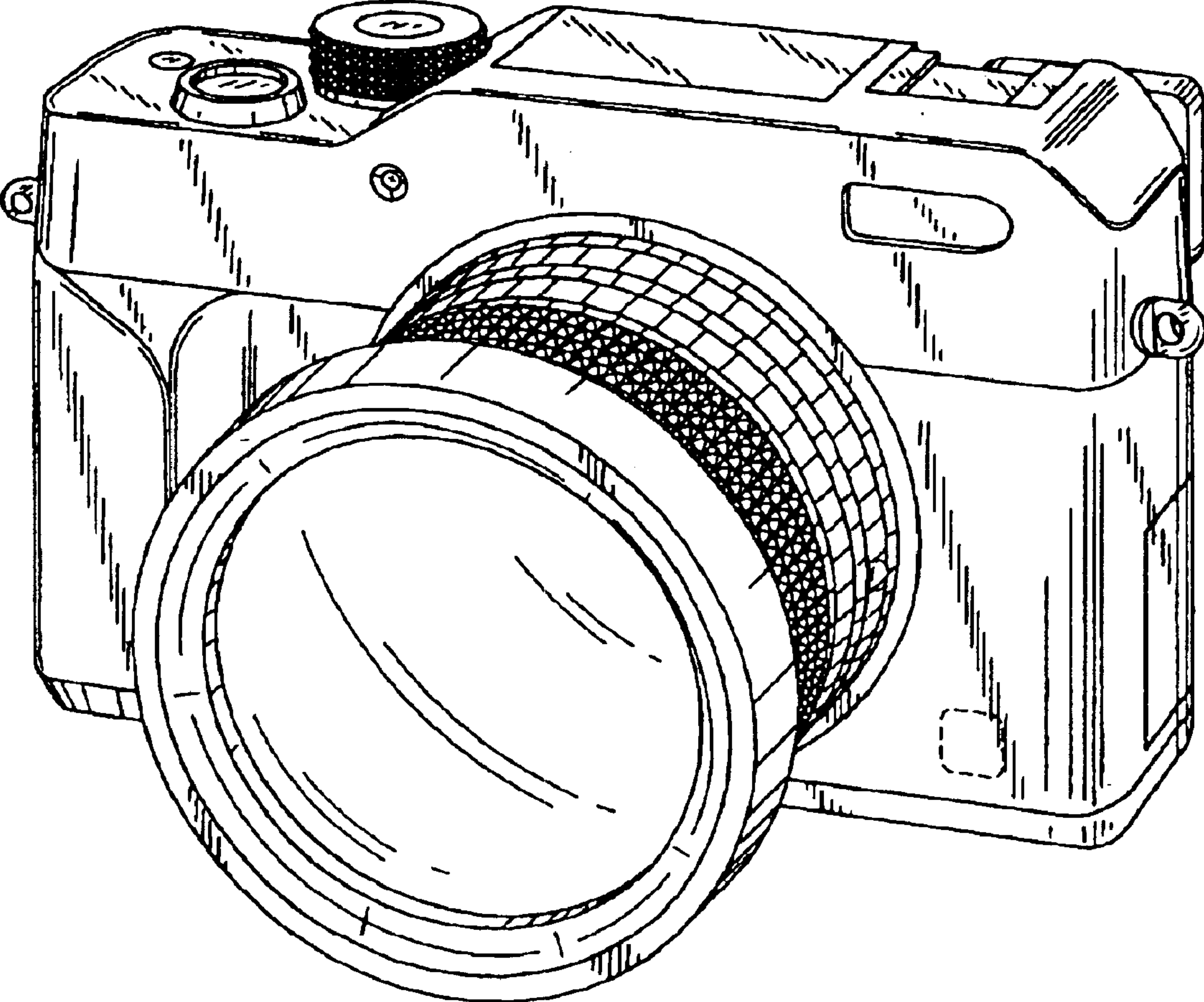


FIG. 1

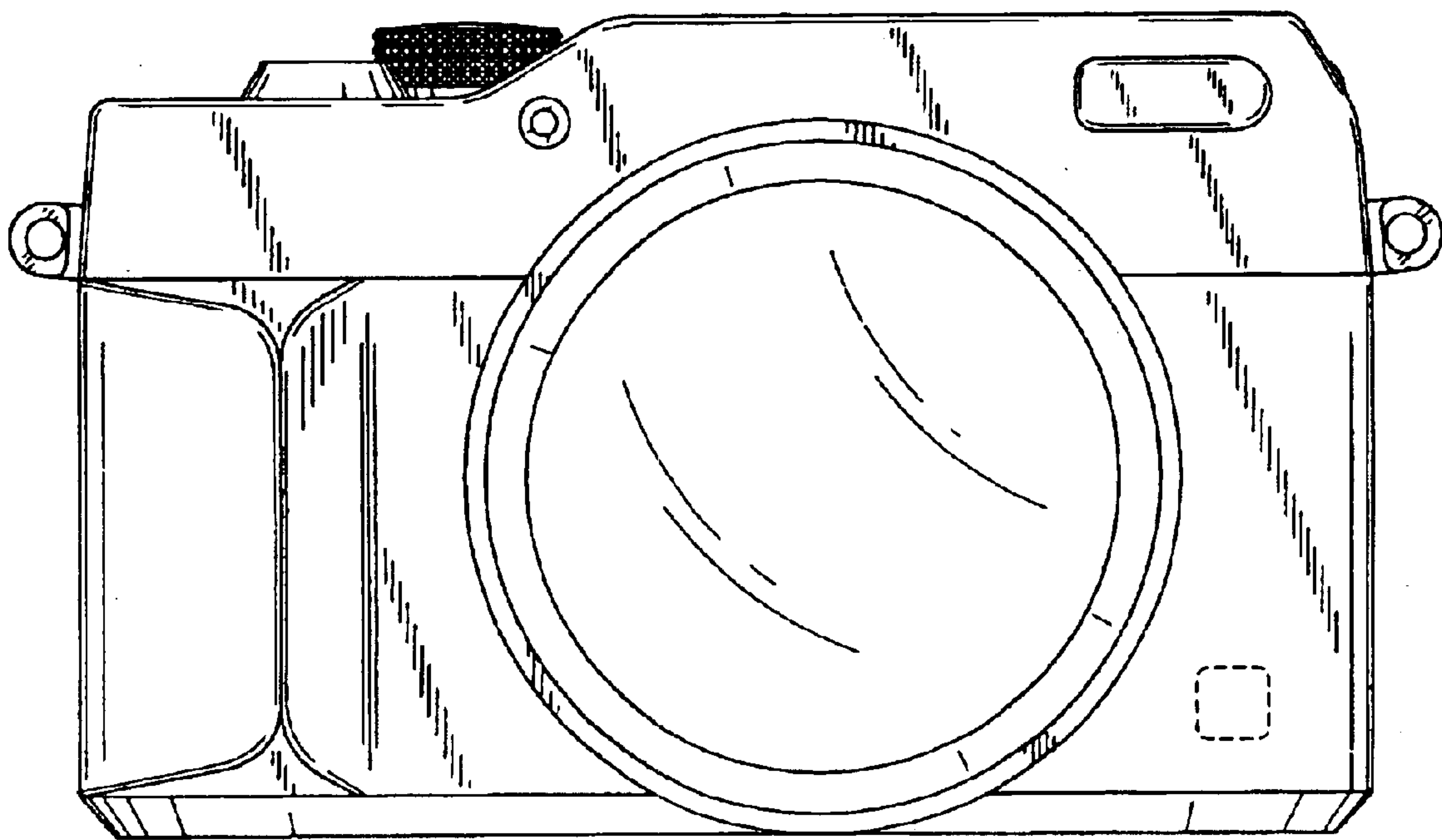


FIG. 2

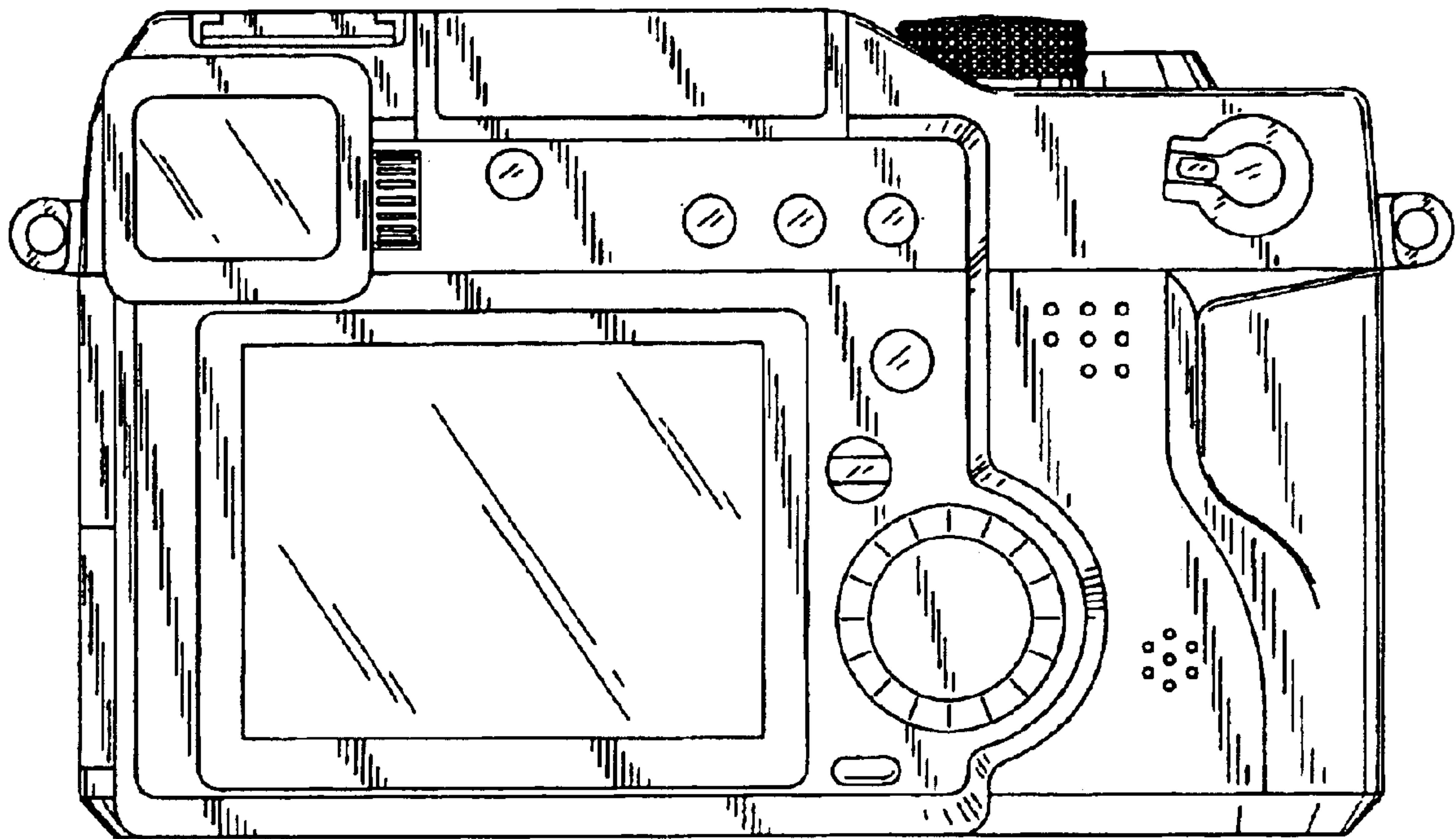


FIG. 3

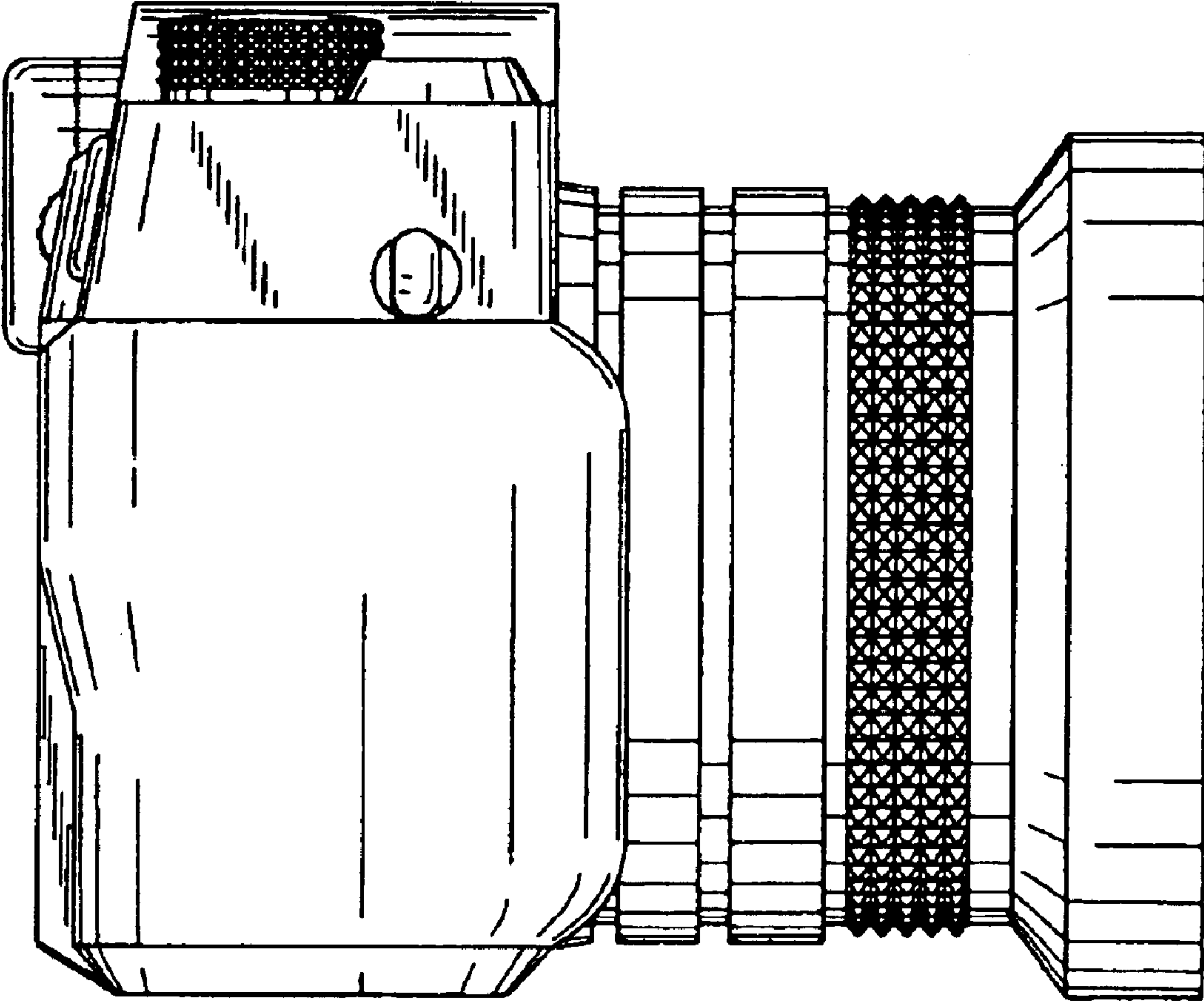


FIG. 4



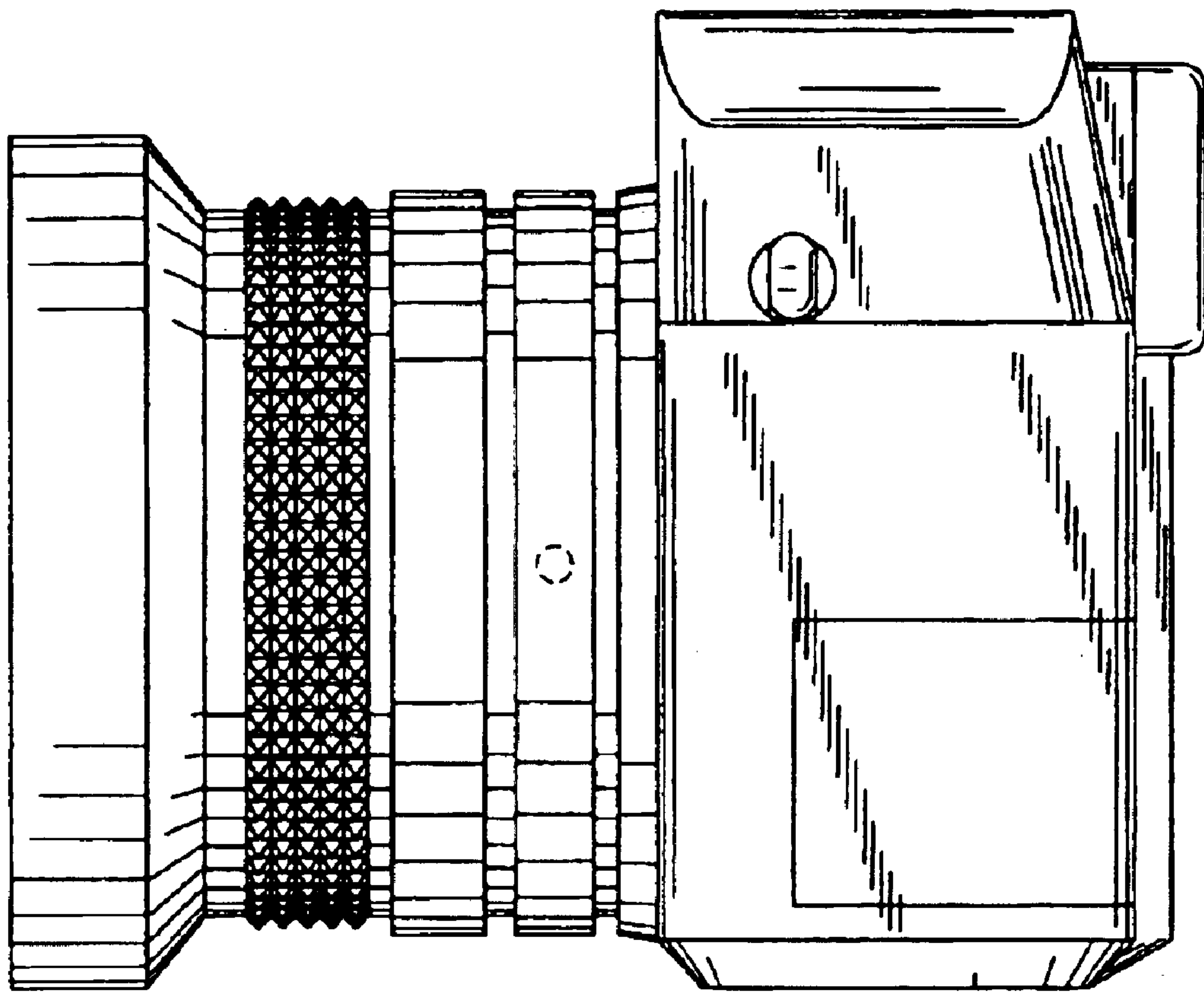


FIG. 5

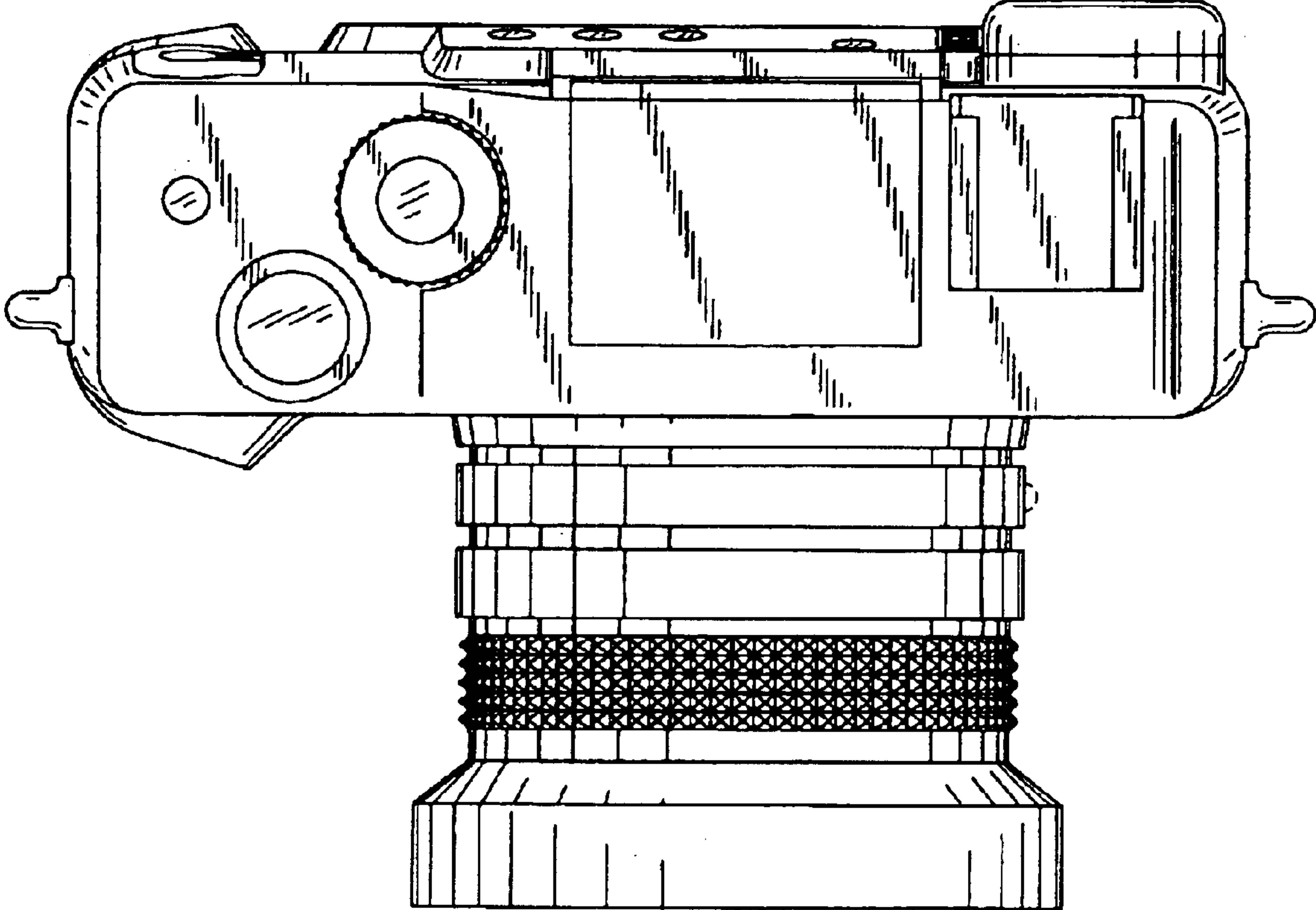


FIG. 6

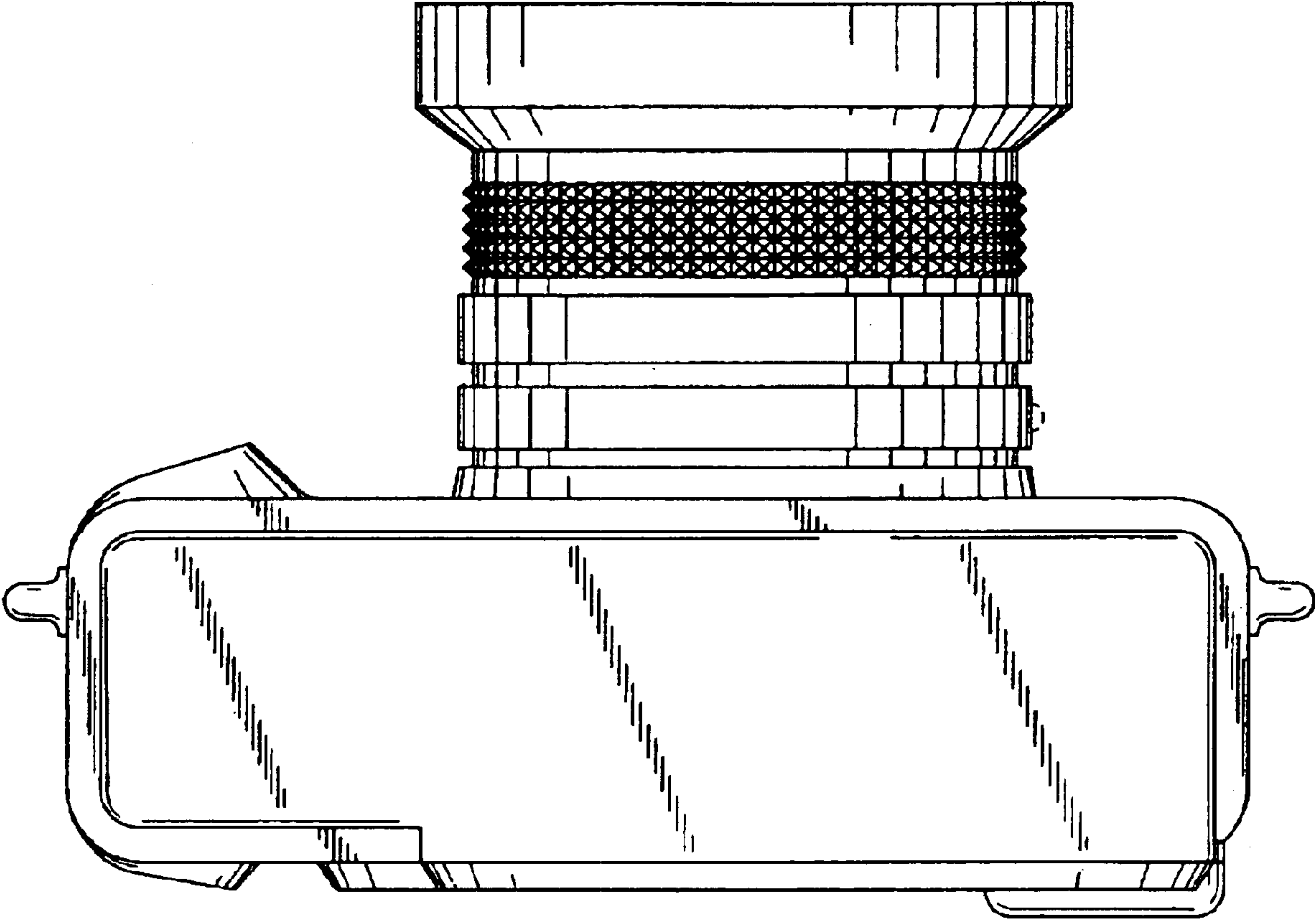


FIG. 7