



US00D494609S1

(12) **United States Design Patent**
Nishijima et al.

(10) **Patent No.:** **US D494,609 S**

(45) **Date of Patent:** **** Aug. 17, 2004**

(54) **BINOCULAR**

(75) Inventors: **Yuji Nishijima**, Kashiwa (JP); **Koichi Nagata**, Saitama (JP)

(73) Assignee: **Fuji Photo Optical Co., Ltd.**, Saitama (JP)

(**) Term: **14 Years**

(21) Appl. No.: **29/192,235**

(22) Filed: **Oct. 22, 2003**

(30) **Foreign Application Priority Data**

Jun. 19, 2003 (JP) 2003-017434

(51) **LOC (7) Cl.** **16-06**

(52) **U.S. Cl.** **D16/133**

(58) **Field of Search** D16/130, 133,
D16/132; 359/408, 409, 410, 411, 412,
413, 414, 415, 416, 417, 418, 419

(56) **References Cited**

U.S. PATENT DOCUMENTS

D359,972 S * 7/1995 Takahashi D16/133
D392,986 S * 3/1998 Katou D16/133

D412,177 S * 7/1999 Fujii D16/133
D440,584 S * 4/2001 Lee D16/133
D472,257 S * 3/2003 Fuji D16/133
D486,507 S * 2/2004 Fuji D16/133

* cited by examiner

Primary Examiner—Paula A. Greene

(74) *Attorney, Agent, or Firm*—Young & Thompson

(57) **CLAIM**

The ornamental design for a binocular, as shown.

DESCRIPTION

FIG. 1 is a top, front and side perspective view of a binocular showing our new design;

FIG. 2 is a front elevational view thereof;

FIG. 3 is a rear elevational view thereof;

FIG. 4 is a top plan view thereof;

FIG. 5 is a bottom plan view thereof;

FIG. 6 is a side elevational view thereof from the right of FIG. 2;

FIG. 7 is a side elevational view thereof from the left of FIG. 2; and,

FIG. 8 is a top, rear and side perspective view thereof.

1 Claim, 4 Drawing Sheets

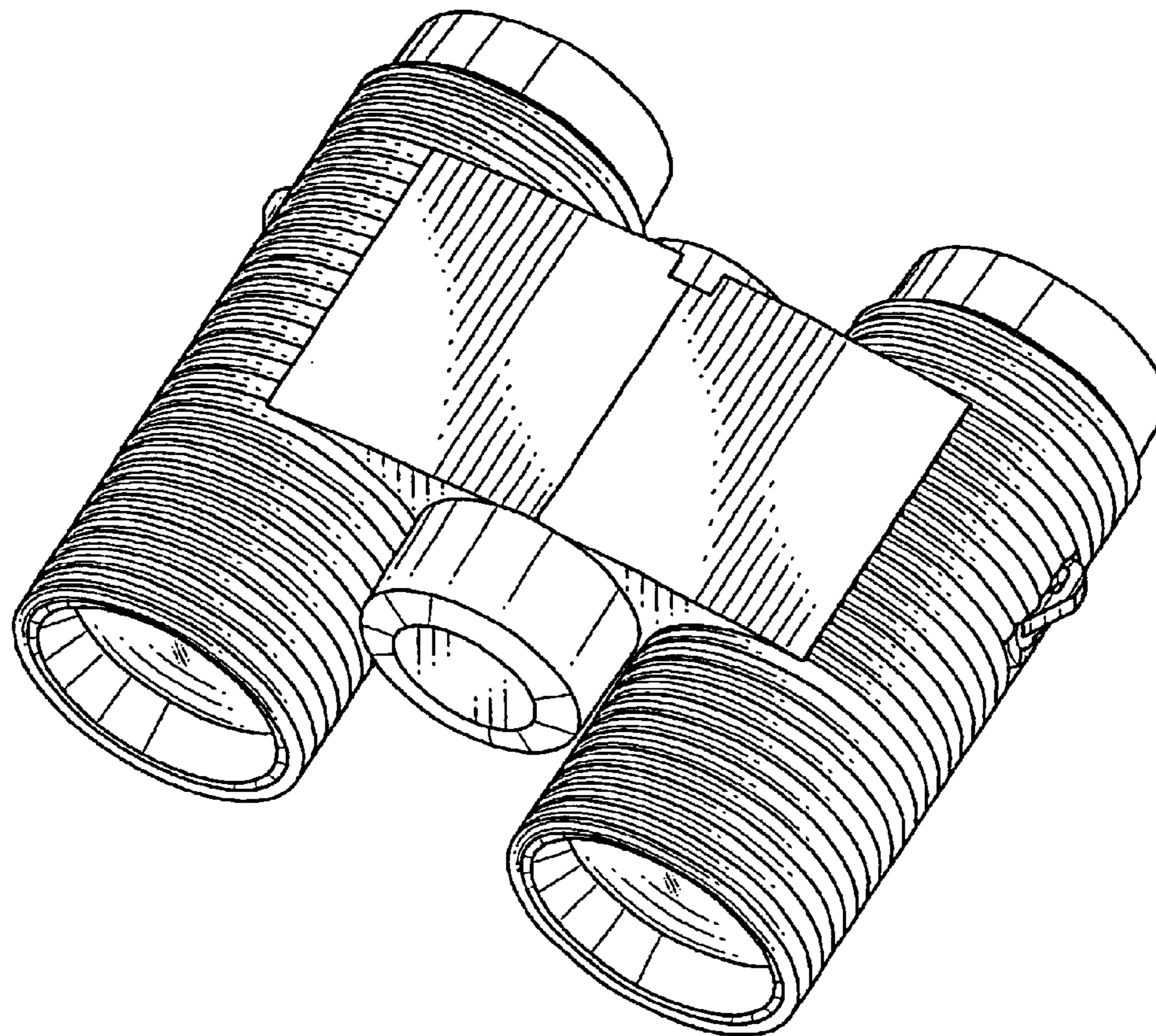


FIG.1

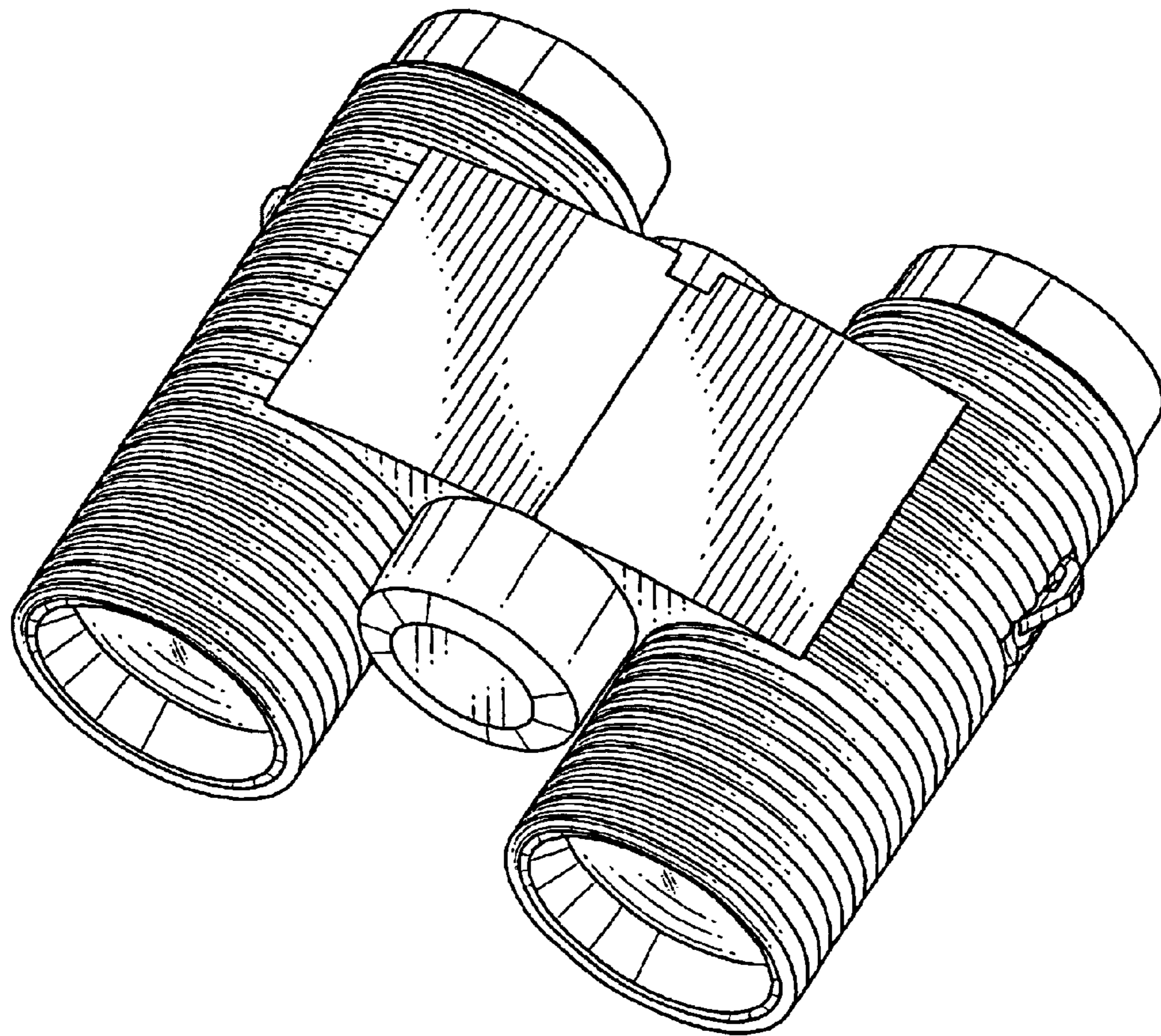


FIG.2

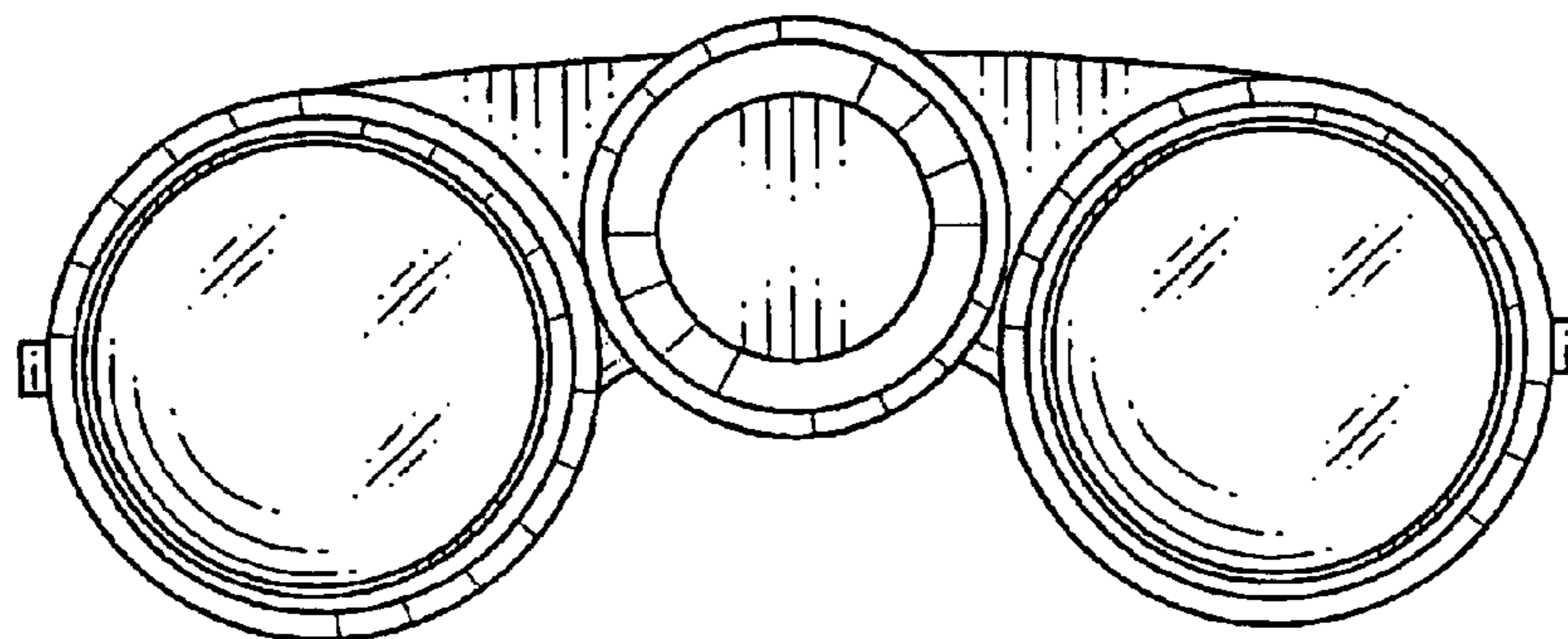


FIG.3

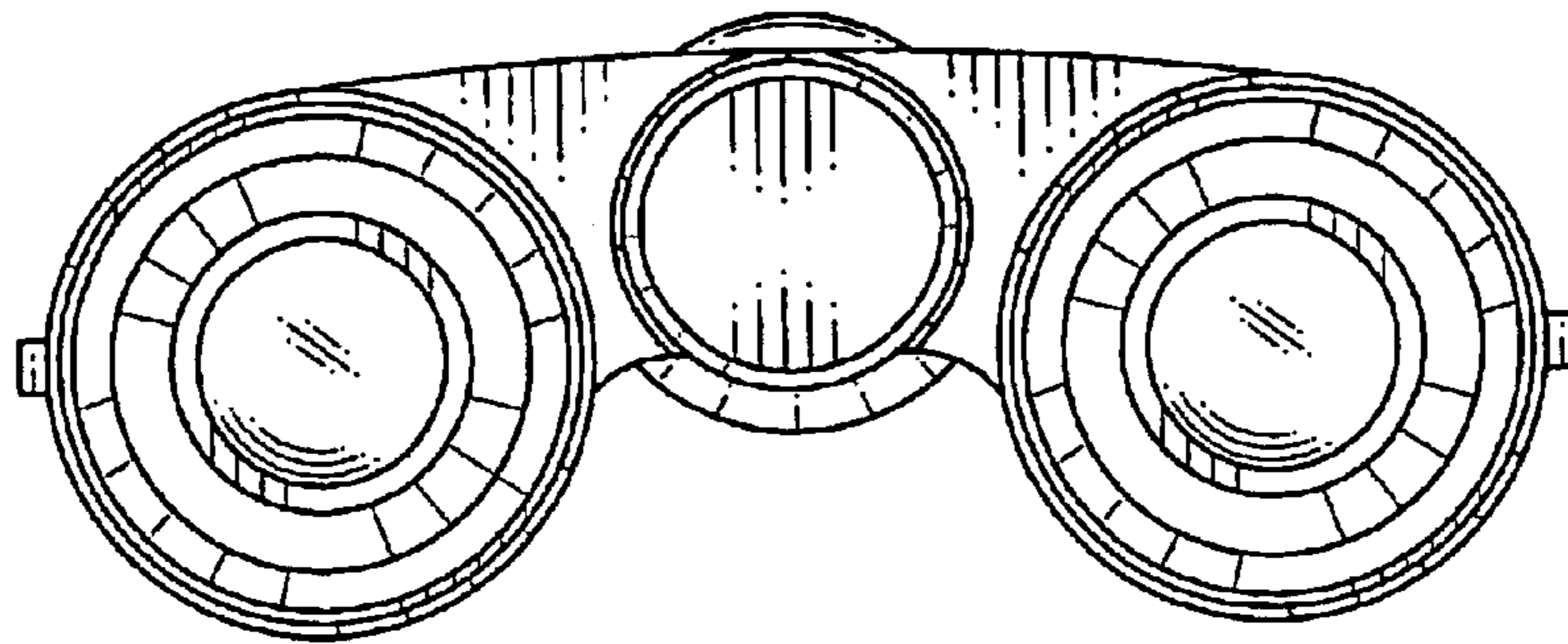


FIG4

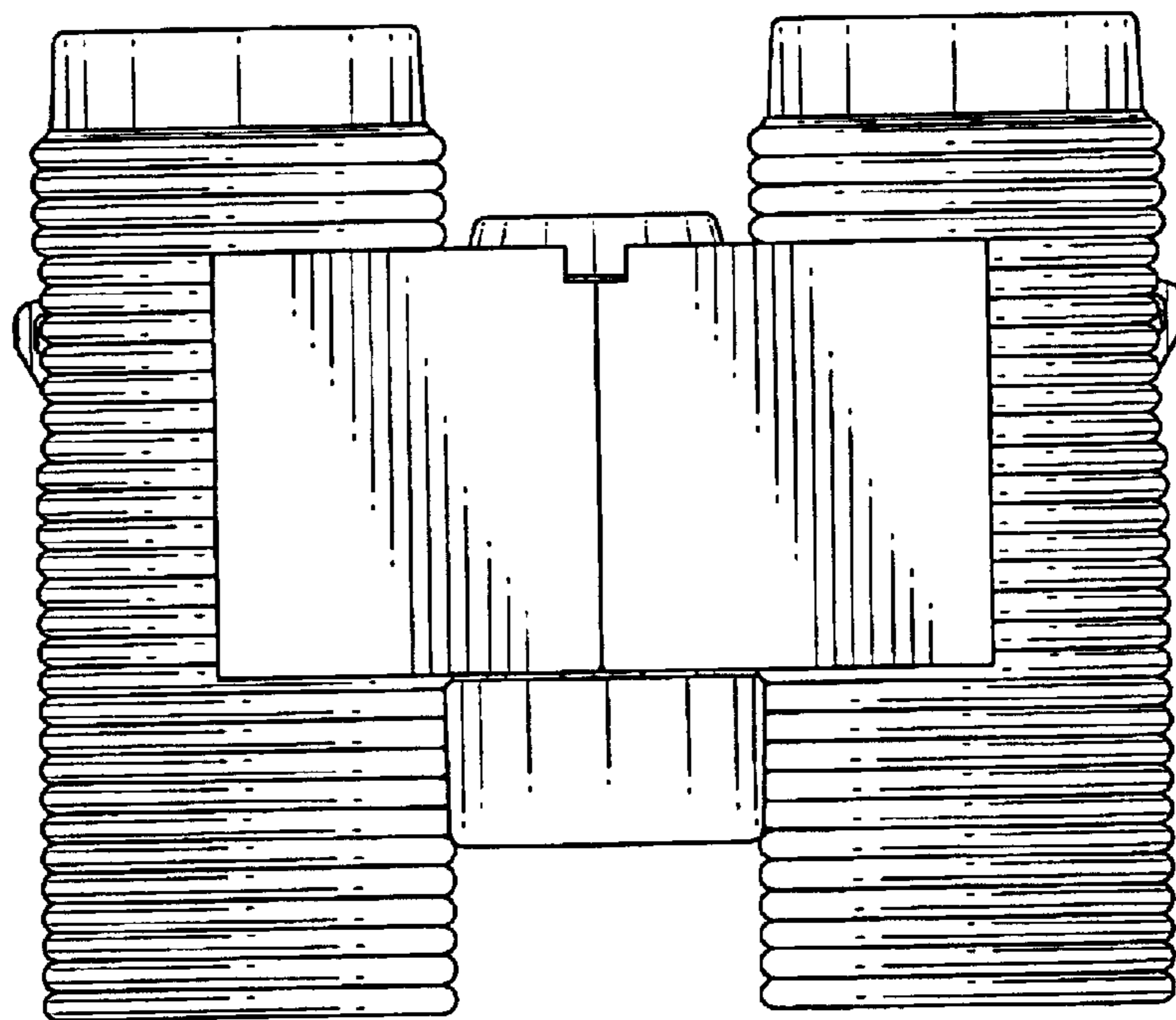


FIG.5

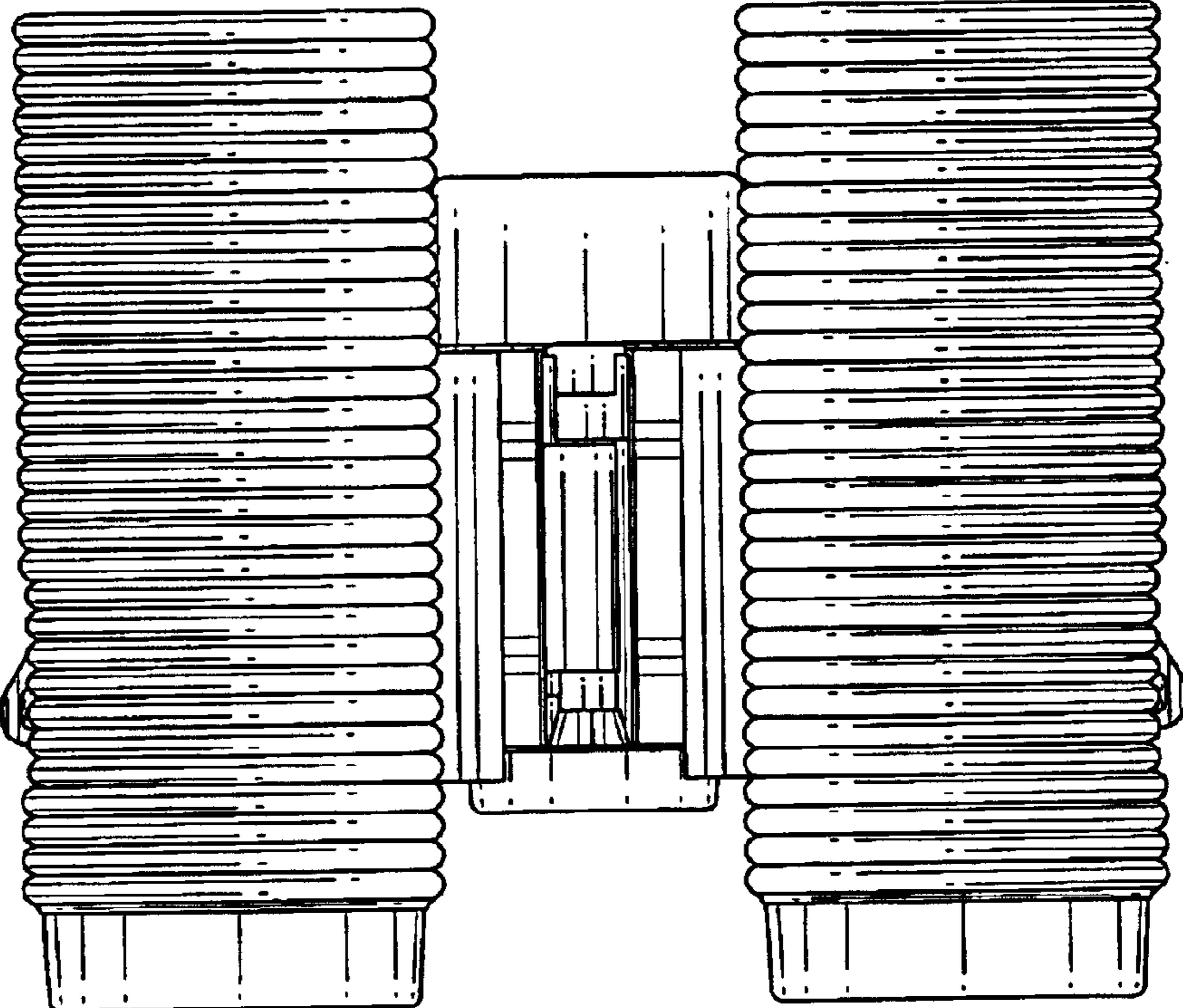


FIG.6

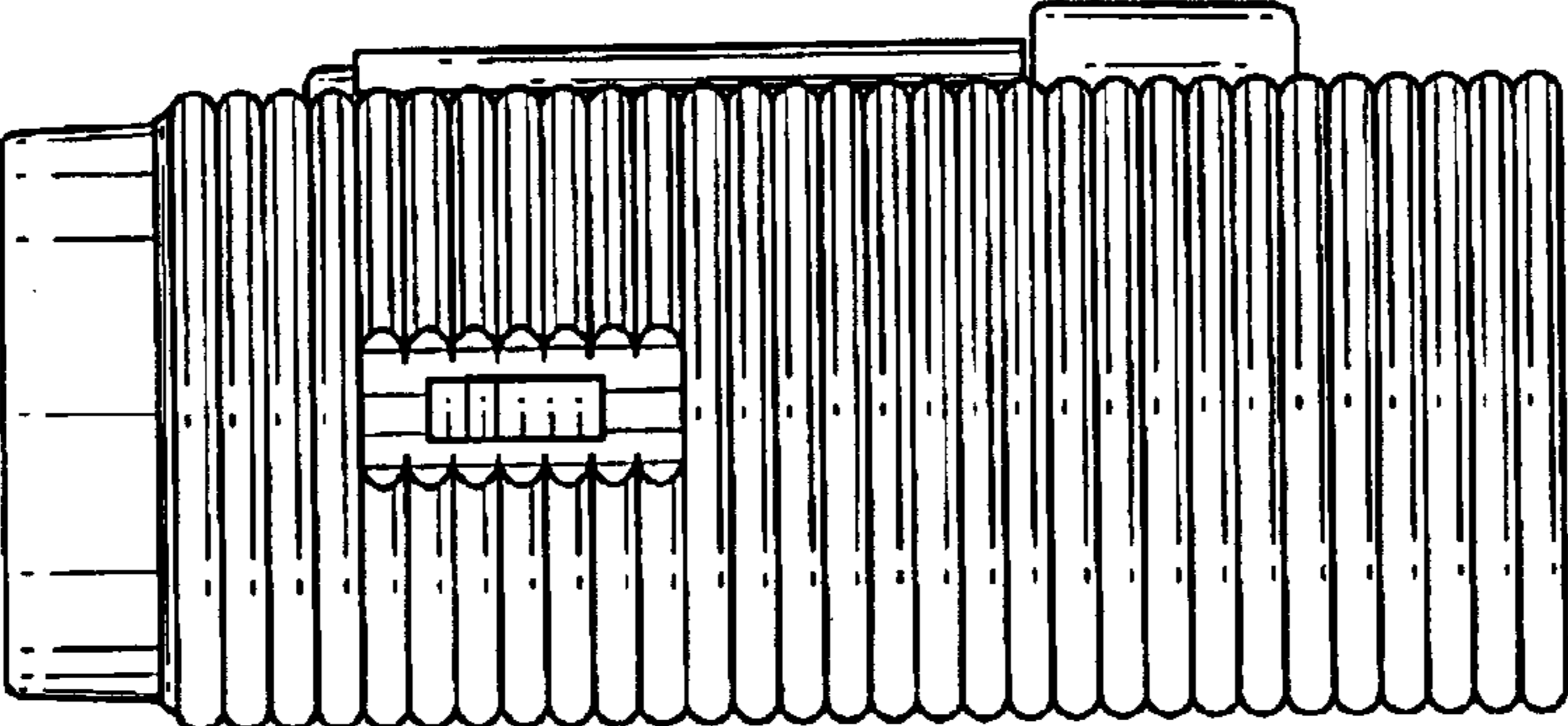


FIG.7

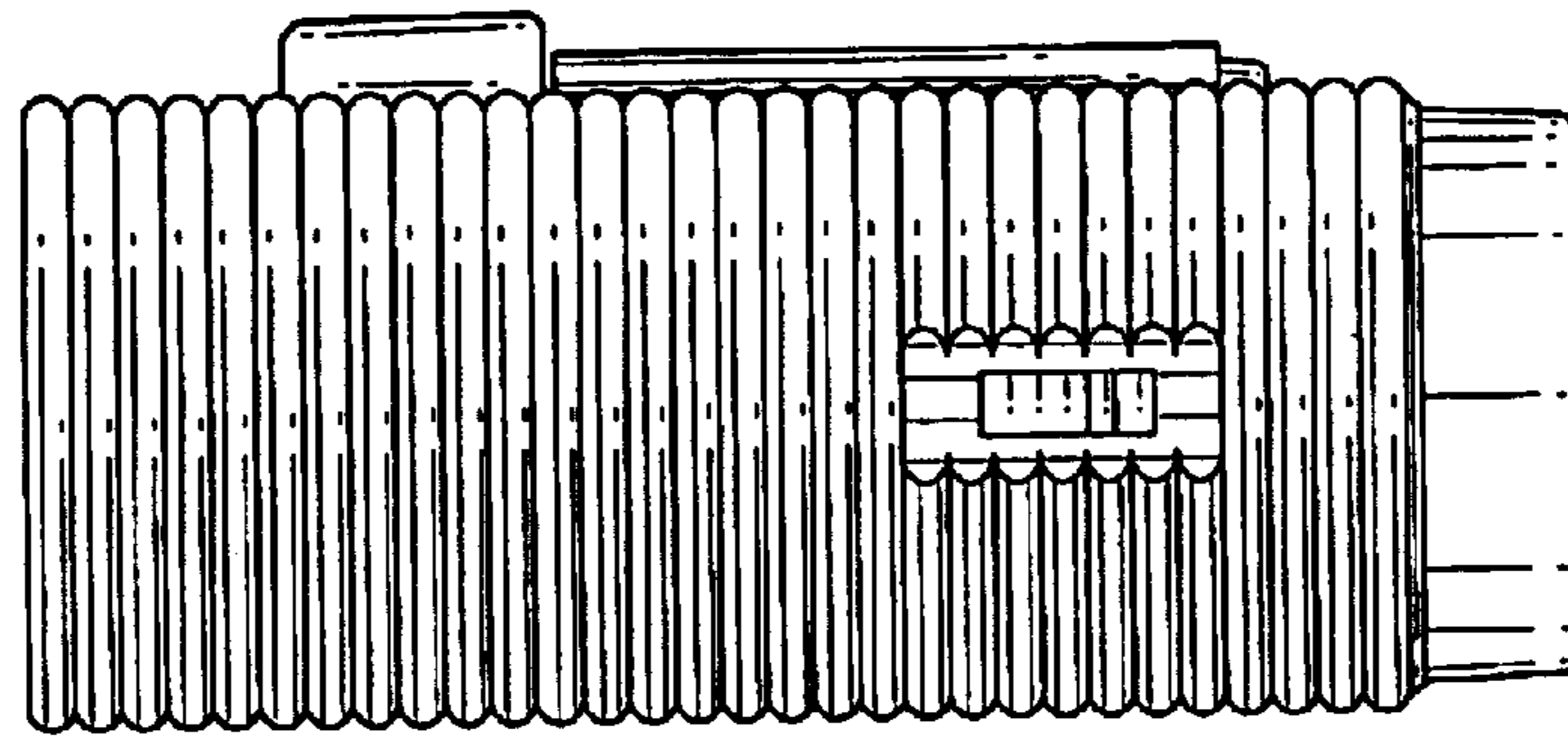


FIG.8

