

US00D494608S1

(12) **United States Design Patent** (10) **Patent No.:** **US D494,608 S**
Wright (45) **Date of Patent:** **** Aug. 17, 2004**

(54) **MODEL T TUBING SEALER**

(75) Inventor: **Douglas F. Wright**, Tucson, AZ (US)

(73) Assignee: **Engineering & Research Associates, Inc.**, Tucson, AZ (US)

(**) Term: **14 Years**

(21) Appl. No.: **29/175,243**

(22) Filed: **Jan. 31, 2003**

(51) **LOC (7) Cl.** **15-09**

(52) **U.S. Cl.** **D15/146**

(58) **Field of Search** D15/146, 145;
156/477-479, 583.9

(56) **References Cited**

U.S. PATENT DOCUMENTS

4,186,292 A	1/1980	Acker	219/10.81
4,490,598 A	12/1984	Minney et al.	219/10.81
D280,515 S	9/1985	Minney et al.	D15/146
D340,730 S	* 10/1993	Myers	D15/146
D385,894 S	* 11/1997	Linner	D15/146
D457,177 S	* 5/2002	Hsu	D15/146

OTHER PUBLICATIONS

A flyer entitled "Genesis Tube Sealers" distributed by National Hospital Specialities with a presumed date of Sep. 2000.

A photocopy of a flyer entitled "Hand-held Tube Sealer" distributed by Baxter Healthcare Corporation and having a presumed date of 2002 pursuant to the copyright notice.

A photocopy of a flyer entitled "Mobile, Battery-operated, Hand-held Tube Sealer (HandySeal)" distributed by Baxter Healthcare Corporation and having a presumed date of 2002 pursuant to the copyright notice.

A photocopy of a flyer entitled "Portable, Battery-operated, Hand-held Tube Sealer (AutoSeal)" distributed by Baxter Healthcare Corporation and having a presumed date of 2000 pursuant to the copyright notice.

A photocopy of a flyer entitled "Teruflex ACS-152 Dielectric Sealer" Distributed by Terumo Medical Corporation and believed to have been available at a tradeshow in 2000.

A photocopy of a flyer entitled "Ace Sealer-01" distributed by Ace Medical Inc., and believed to have been available at a tradeshow in 2001.

A photocopy of a flyer entitled "Meeting the Demands for Today's Blood Bank Professional" distributed by National Hospital Specialities and believed to have been available at a tradeshow in 2002.

A photocopy of a flyer entitled "Composeal" and distributed by NPBI B.V., (undated).

A photocopy of a flyer entitled "Composeal Mobilea" distributed by NPBI (undated).

A photocopy of a flyer entitled "Tube Sealers" distributed by Hemopharm (undated).

A photocopy of a flyer entitled "Biosealer CR 6-PS" distributed by Ljungberg & Kogel AB (undated).

A photocopy of a flyer entitled "Biotrans Composeal" distributed by Biotrans GmbH (undated).

* cited by examiner

Primary Examiner—Brian N. Vinson

(74) *Attorney, Agent, or Firm*—Cahill, von Hellens & Glazer P.L.C.

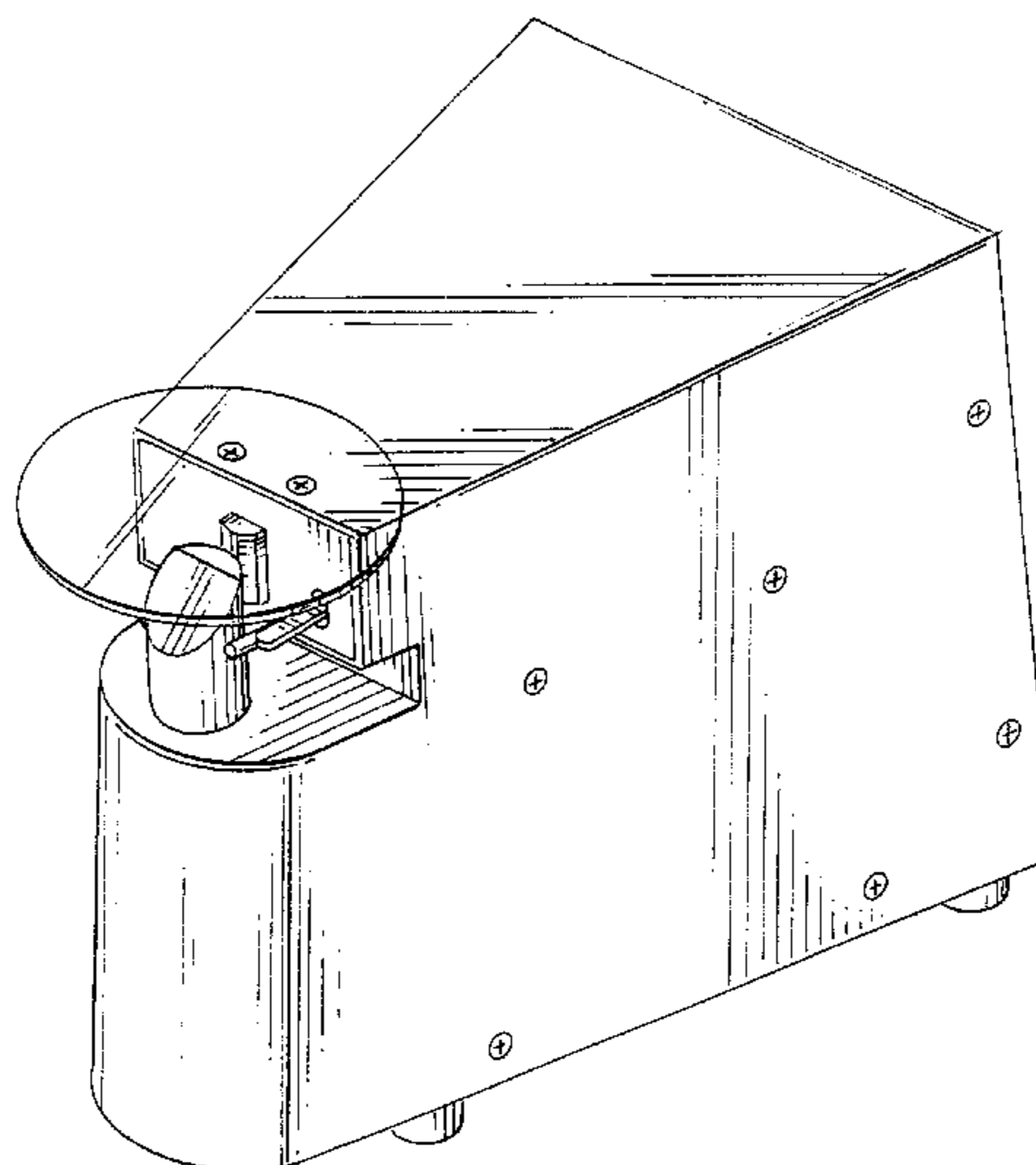
(57) **CLAIM**

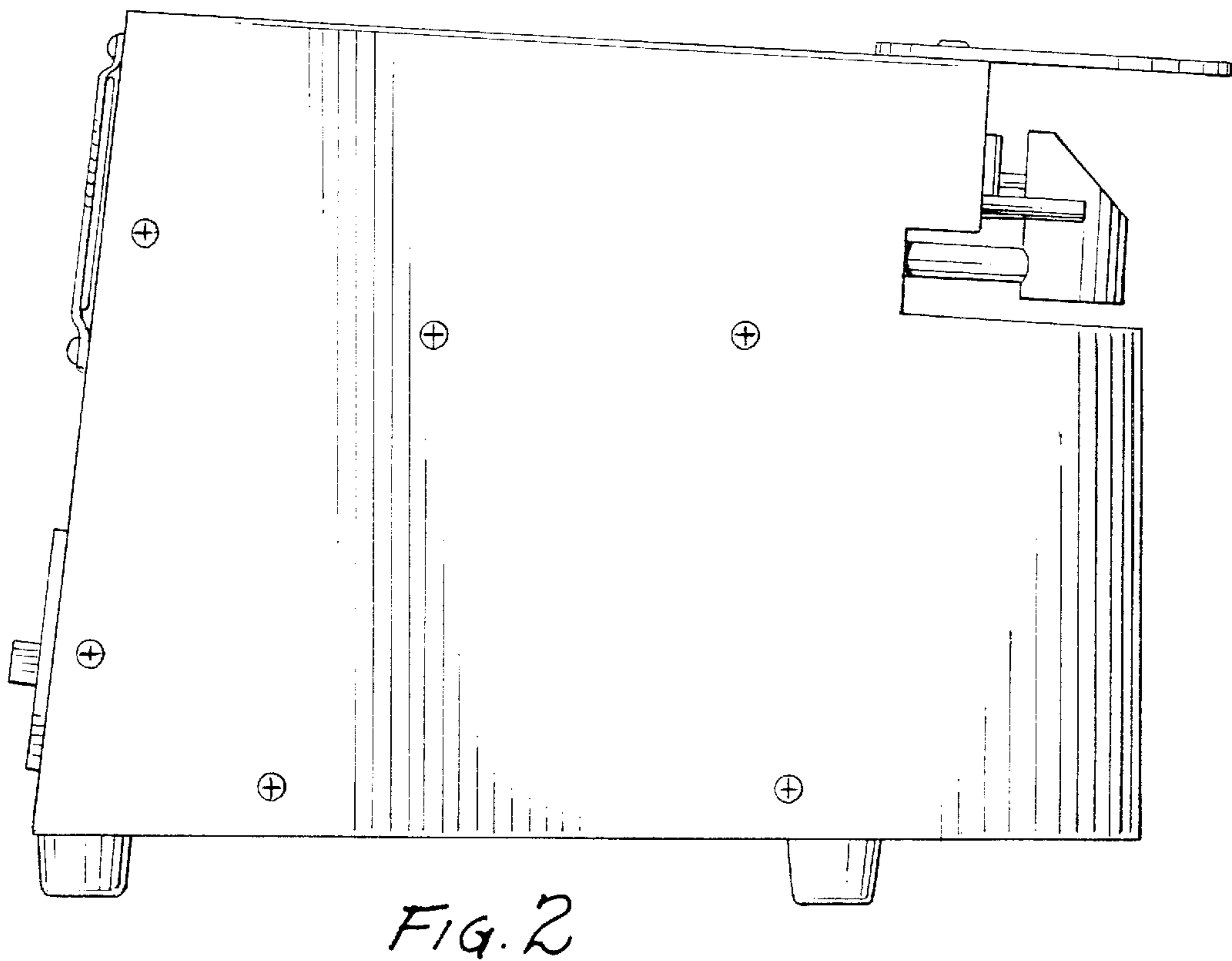
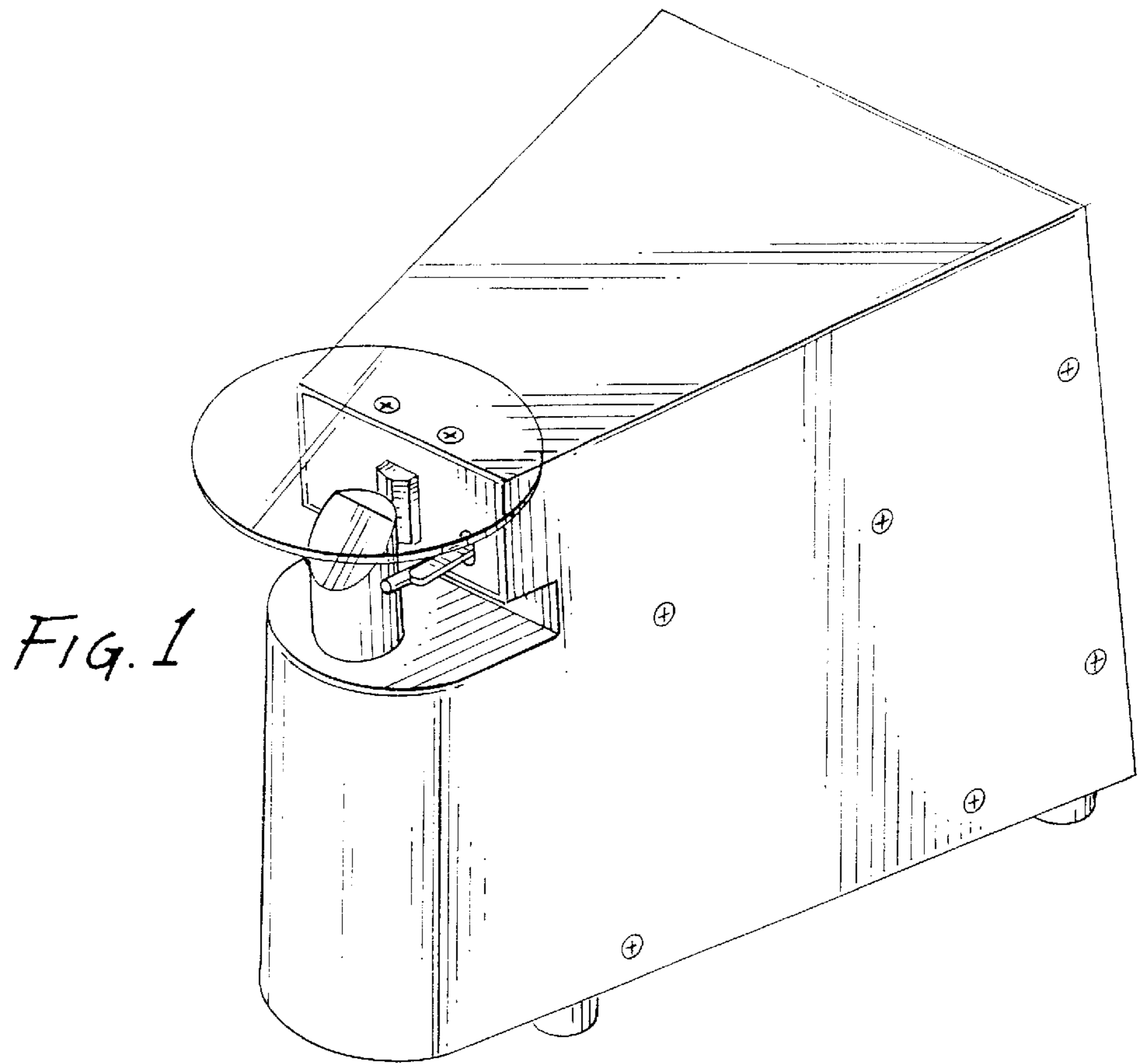
The ornamental design for a model T tubing sealer, as shown and described.

DESCRIPTION

FIG. 1 is a right front perspective view of our model T tubing sealer and showing my new design;
FIG. 2 is a left side elevational view thereof;
FIG. 3 is a top plan view thereof;
FIG. 4 is a front elevational view thereof;
FIG. 5 is a rear elevational view thereof;
FIG. 6 is a right side elevational view thereof; and,
FIG. 7 is a bottom plan view thereof.

1 Claim, 3 Drawing Sheets





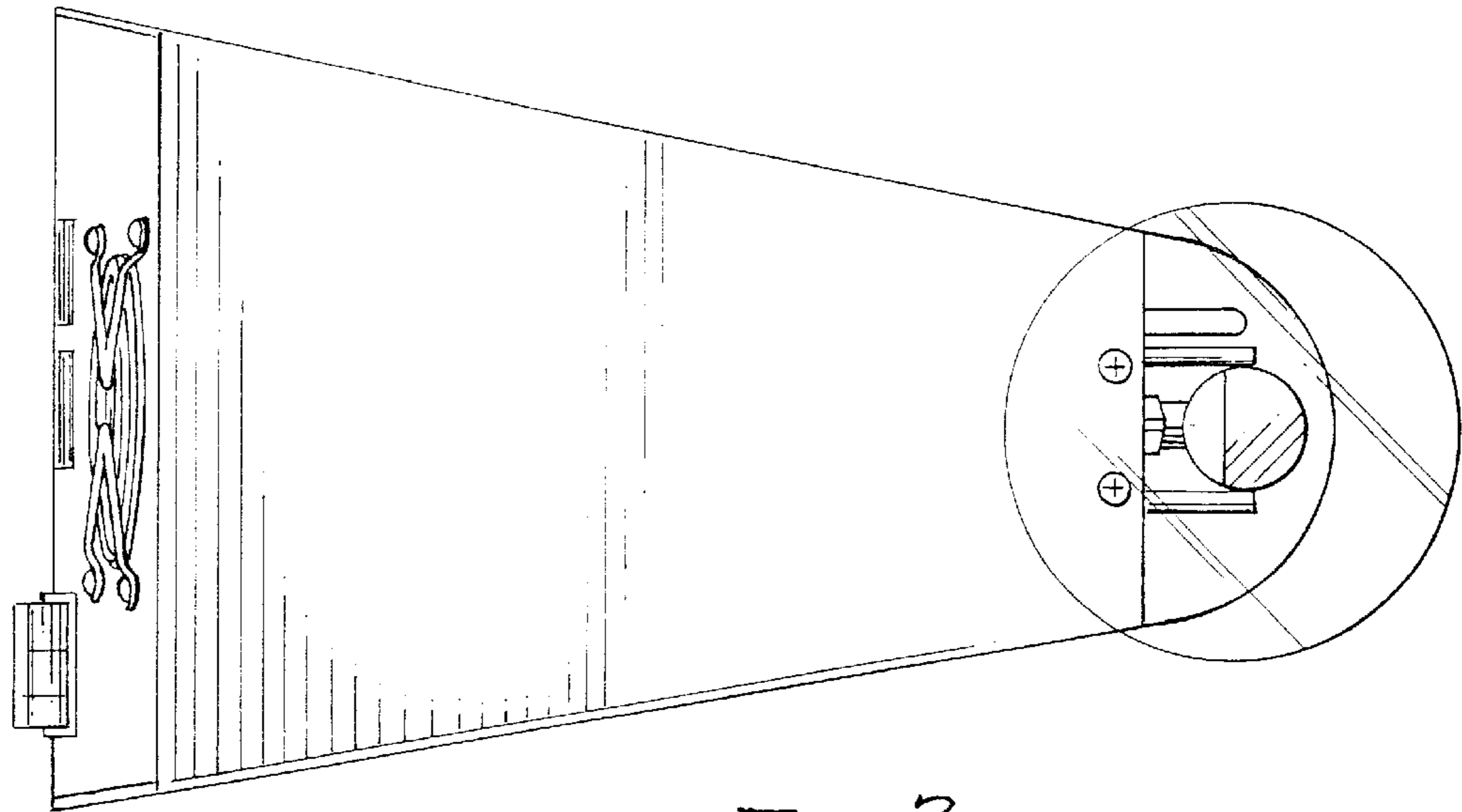


FIG. 3

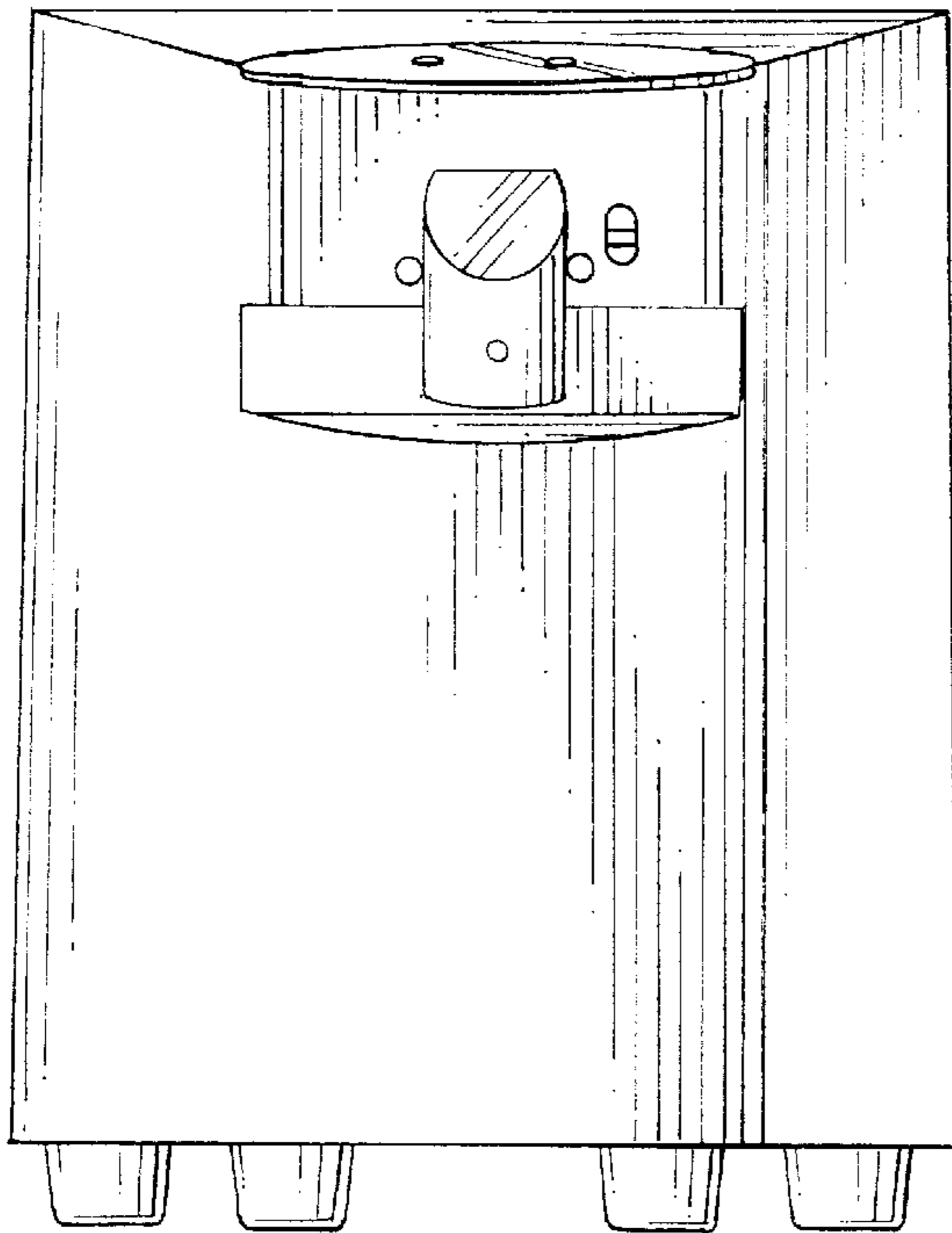


FIG. 4

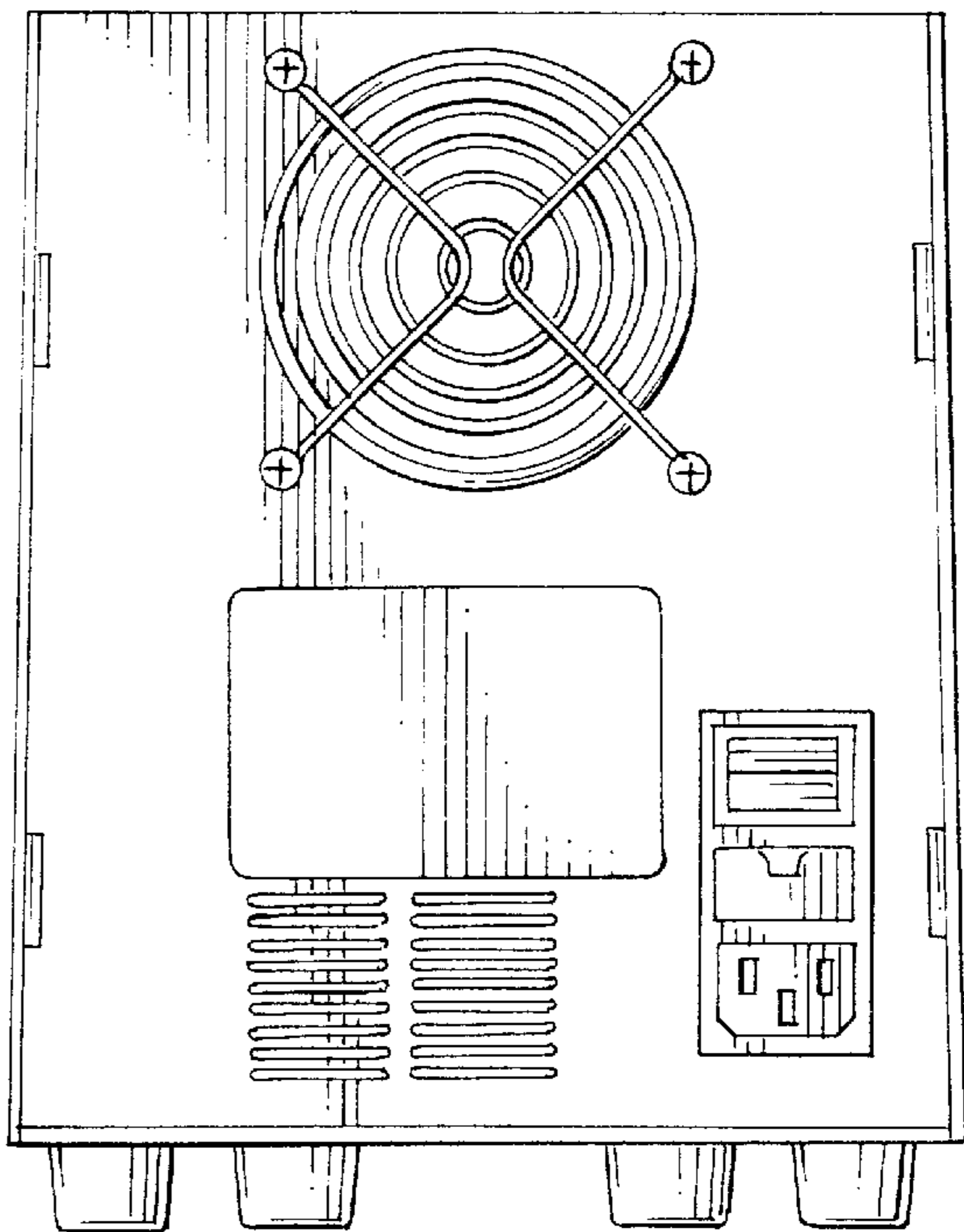


FIG. 5

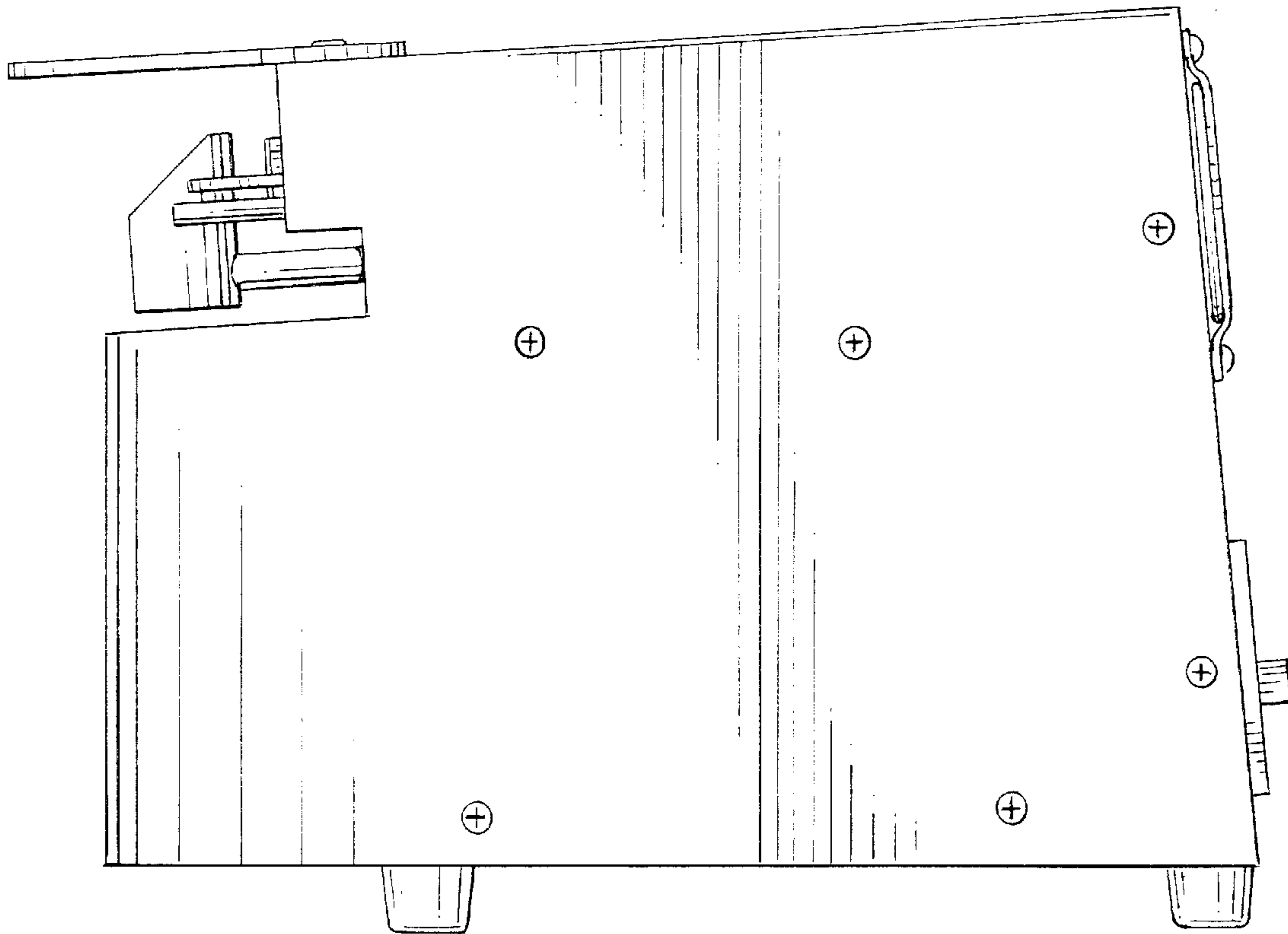


FIG. 6

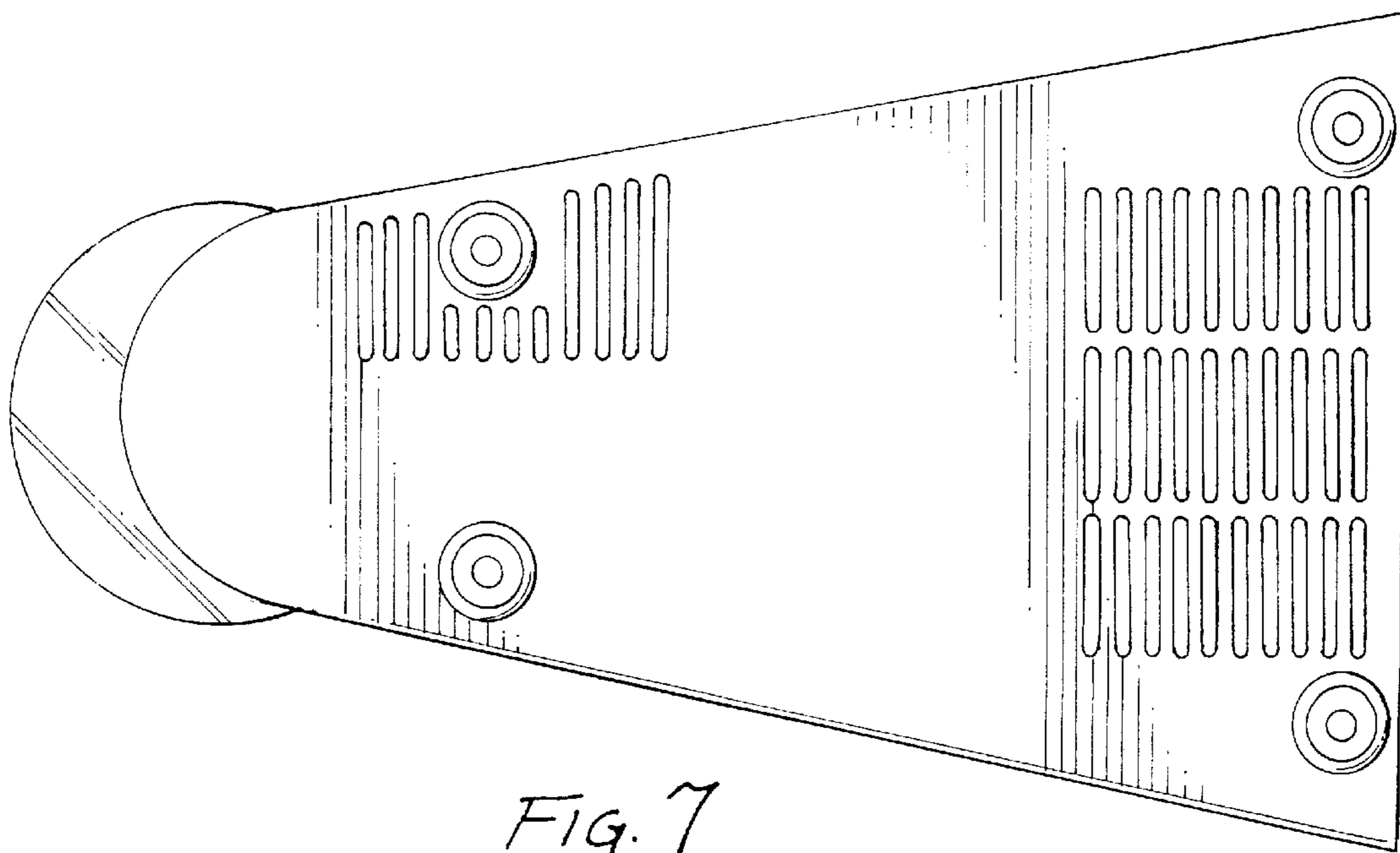


FIG. 7