

US00D494605S1

(12) **United States Design Patent**
Calmer

(10) **Patent No.:** **US D494,605 S**

(45) **Date of Patent:** **** Aug. 17, 2004**

(54) **LOW PROFILE CORN HEAD ROW UNIT COVER**

(76) **Inventor:** **Marion Calmer**, 550 N. Knox Rd.,
Alpha, IL (US) 61413

(**) **Term:** **14 Years**

(21) **Appl. No.:** **29/176,975**

(22) **Filed:** **Feb. 28, 2003**

(51) **LOC (7) Cl.** **15-03**

(52) **U.S. Cl.** **D15/28**

(58) **Field of Search** D15/10, 11, 28,
D15/29; 56/106, 93, 80, 14.2, 10.2 R

(56) **References Cited**

U.S. PATENT DOCUMENTS

5,704,202 A *	1/1998	Calmer	56/106
6,370,853 B1 *	4/2002	Randall et al.	56/14.2
6,397,571 B1 *	6/2002	Ehrecke	56/10.2 R

* cited by examiner

Primary Examiner—Mitchell Siegel

(74) *Attorney, Agent, or Firm*—Law Office of Jay R.
Hamilton, PLC; Jay R. Hamilton

(57) **CLAIM**

The ornamental design for a low profile corn head row unit cover, as shown and described.

DESCRIPTION

The design is for the particular and distinctive shape of a corn head row unit cover. The corn head row unit cover primarily encloses the portion of the row unit equipment that does not engage the plant. The corn head row unit cover secondarily provides a separation and gathering surface for use by the corn head row unit during removal of the ear of corn from the rest of the corn plant.

FIG. 1 is a perspective view of a low profile corn head row unit cover showing my new design;

FIG. 2 is a top plan view thereof;

FIG. 3 is a right side view thereof;

FIG. 4 is a bottom plan view thereof;

FIG. 5 is a rear perspective view thereof;

FIG. 6 is a rear elevational view thereof;

FIG. 7 is a bottom perspective view thereof;

FIG. 8 is a front perspective view thereof;

FIG. 9 is a front elevational view thereof;

FIG. 10 is a bottom perspective view thereof;

FIG. 11 is a cross sectional view taken on line 10—10 of FIG. 1;

FIG. 12 is a top plan view of a second embodiment of the low profile corn head row unit cover as disclosed in FIG. 1;

FIG. 13 is a right side view of FIG. 11;

FIG. 14 is a bottom plan view of FIG. 11;

FIG. 15 is a rear perspective view of FIG. 11;

FIG. 16 is a rear elevational view of FIG. 11;

FIG. 17 is a bottom perspective view of FIG. 11;

FIG. 18 is a front perspective view of FIG. 11;

FIG. 19 is a front elevational view of FIG. 11;

FIG. 20 is a bottom perspective view of FIG. 11; and,

FIG. 21 is a perspective view of FIG. 11.

1 Claim, 9 Drawing Sheets

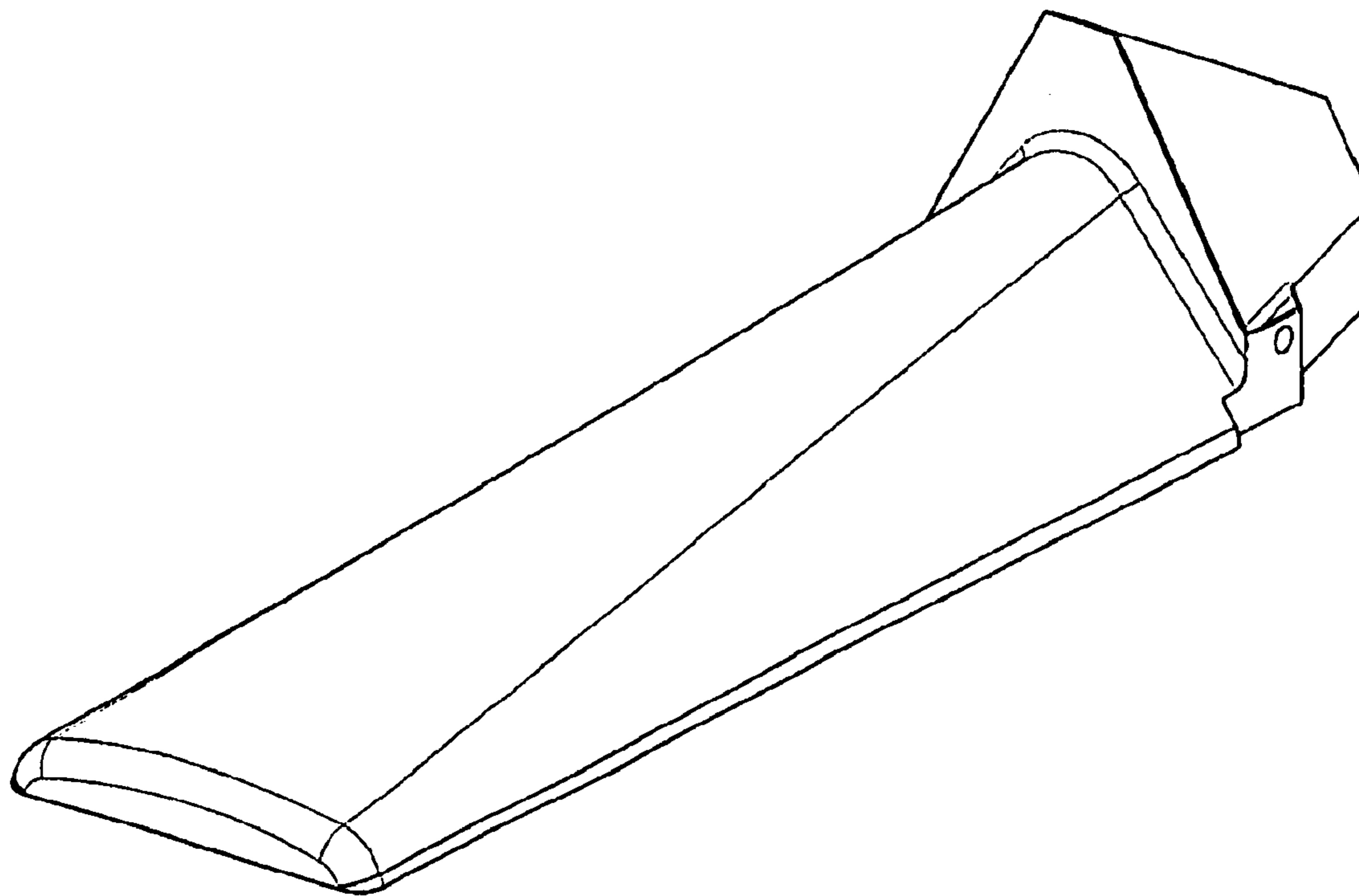
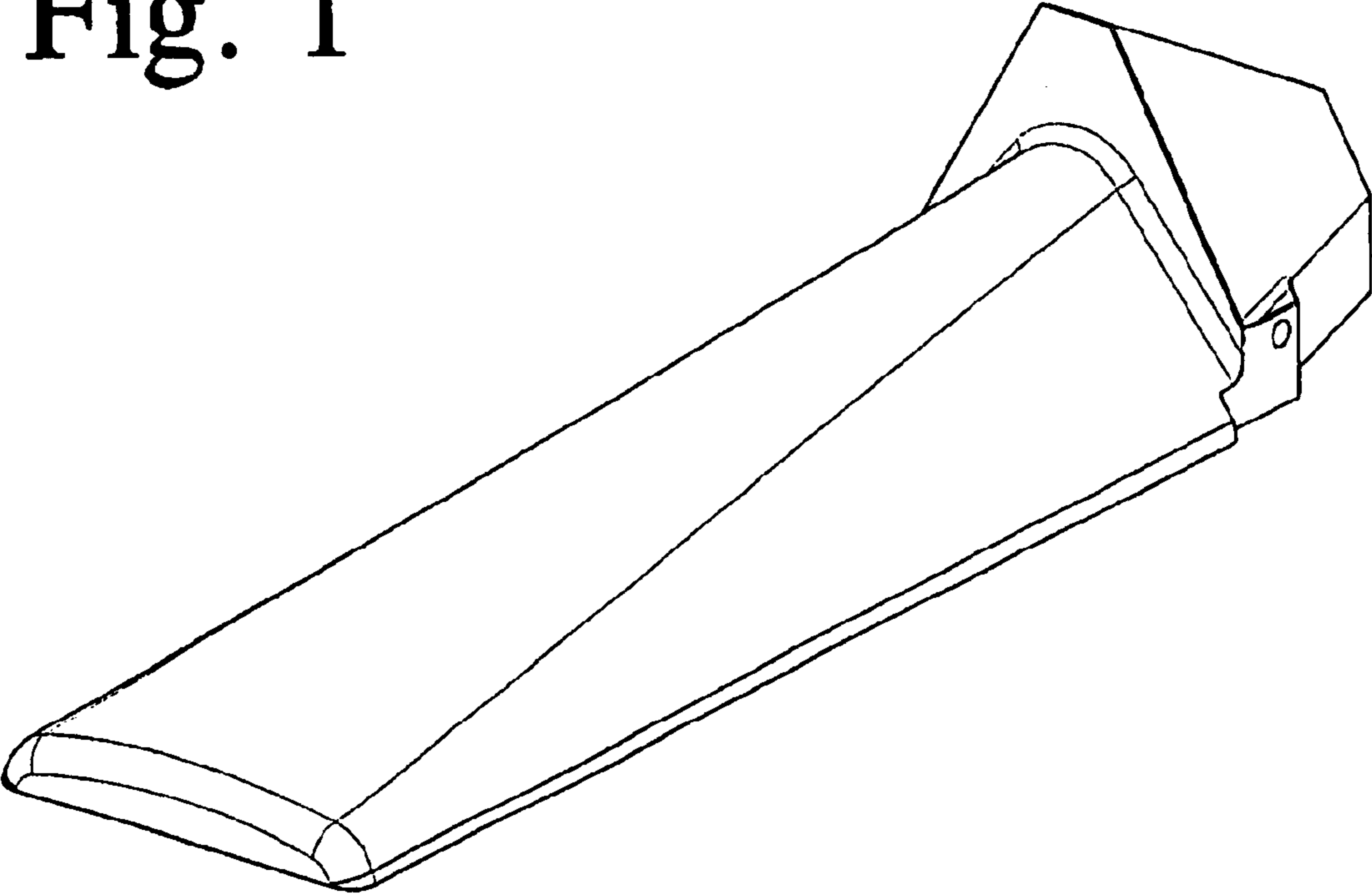


Fig. 1



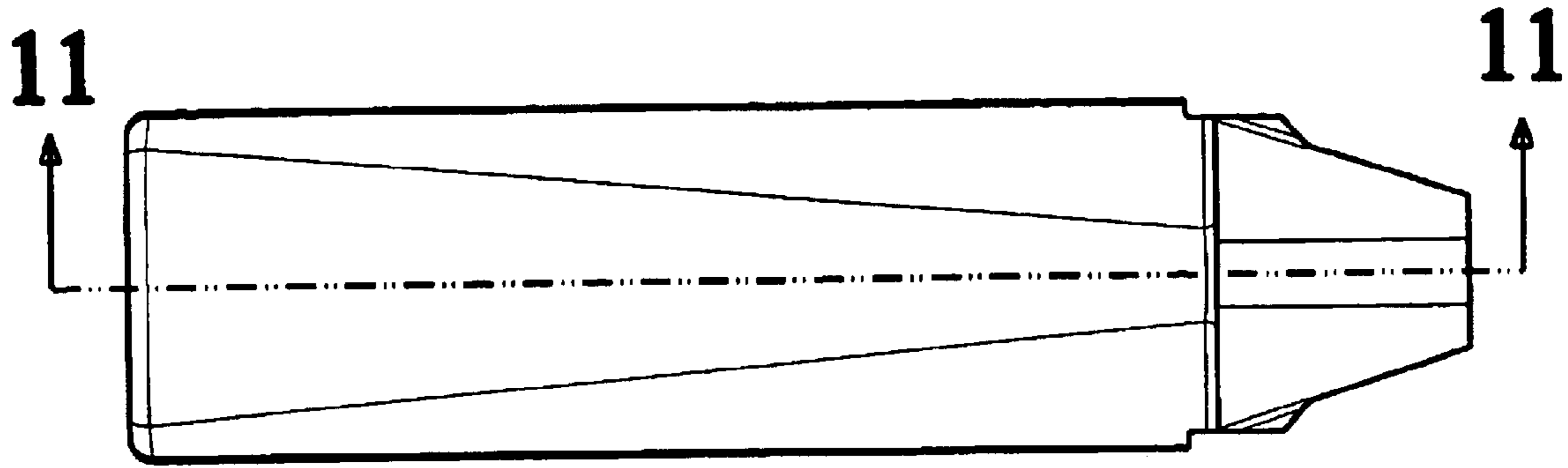


Fig. 2



Fig. 3

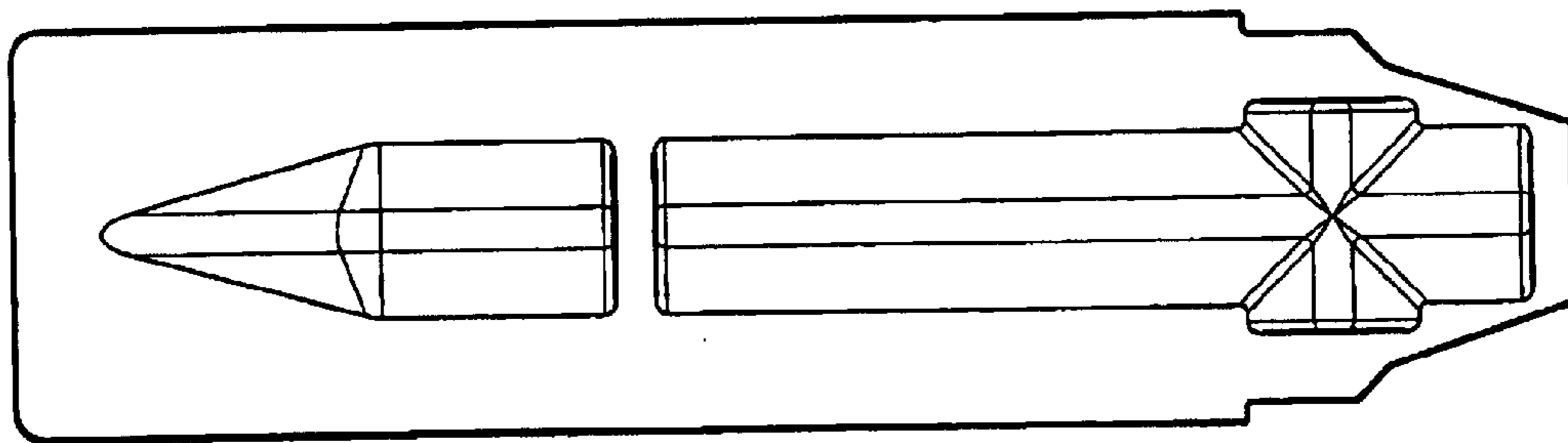


Fig. 4

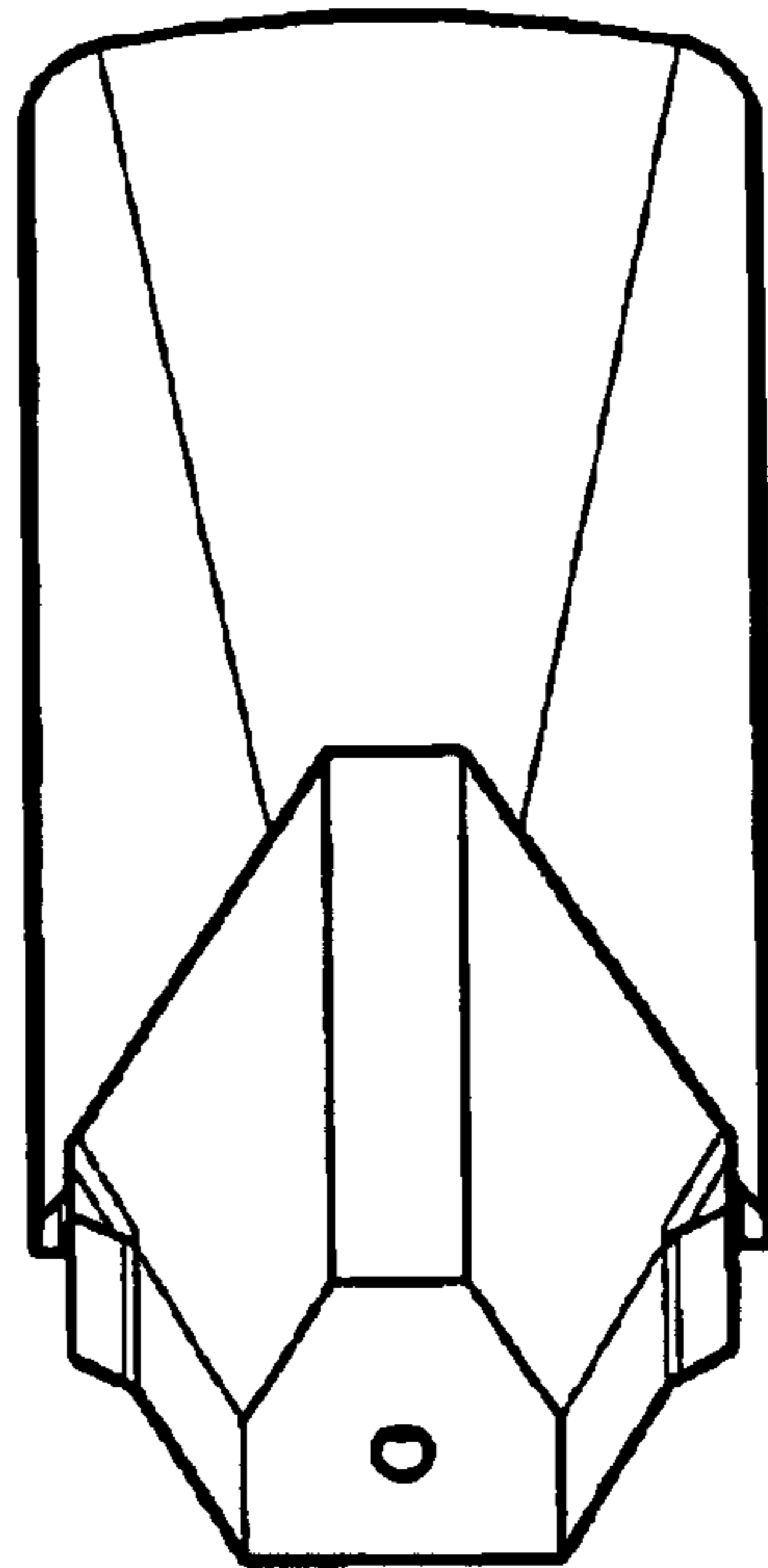


Fig. 5

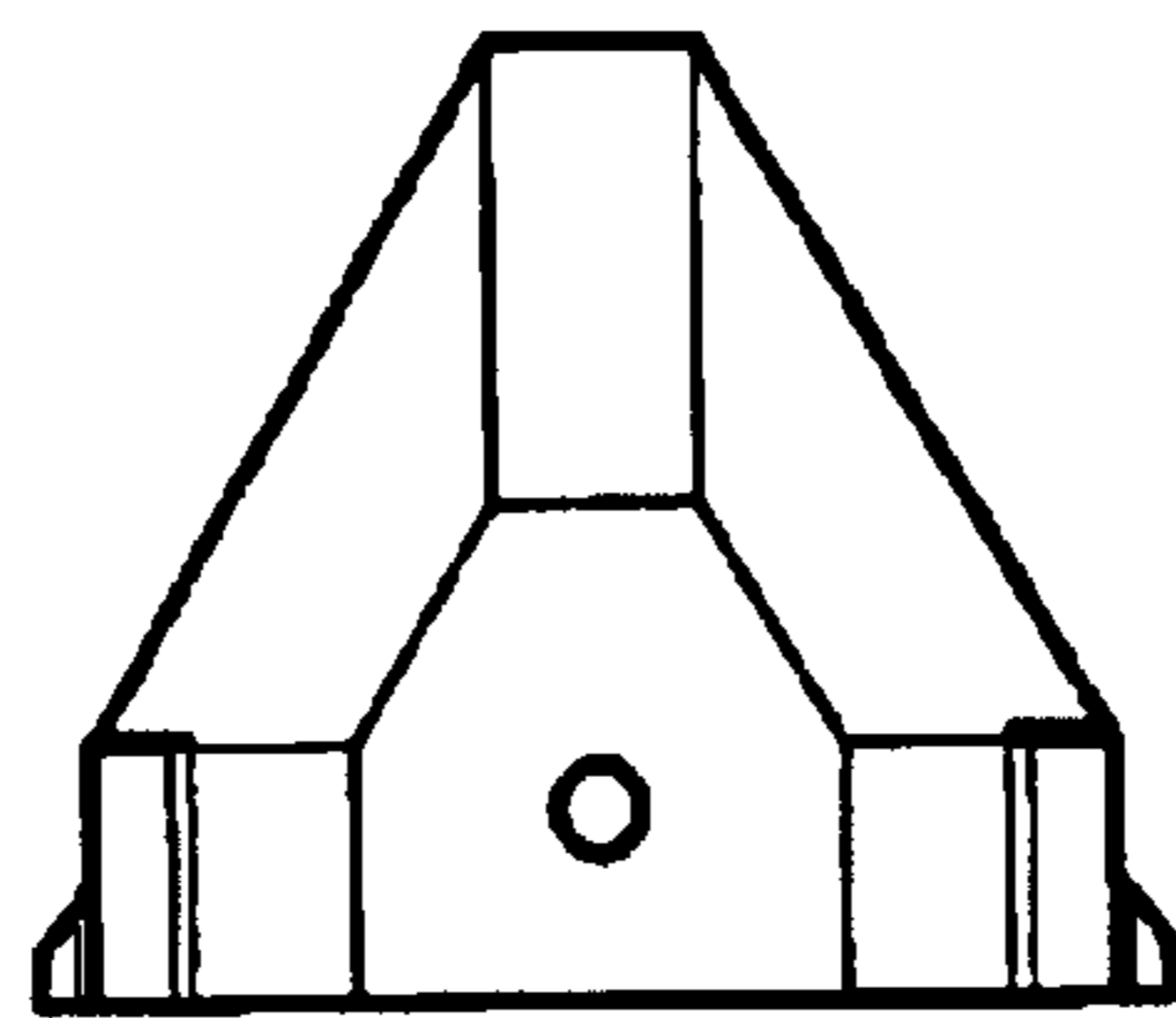


Fig. 6

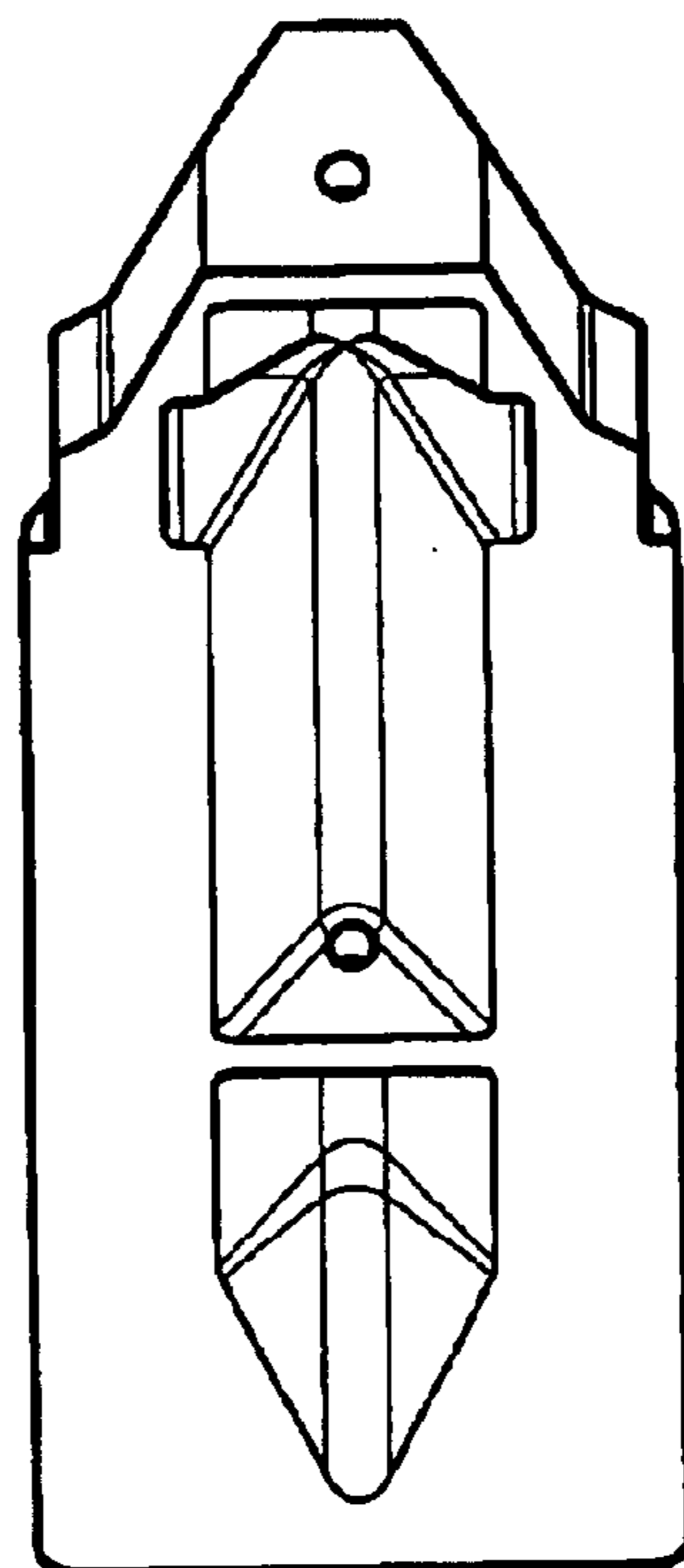


Fig. 7

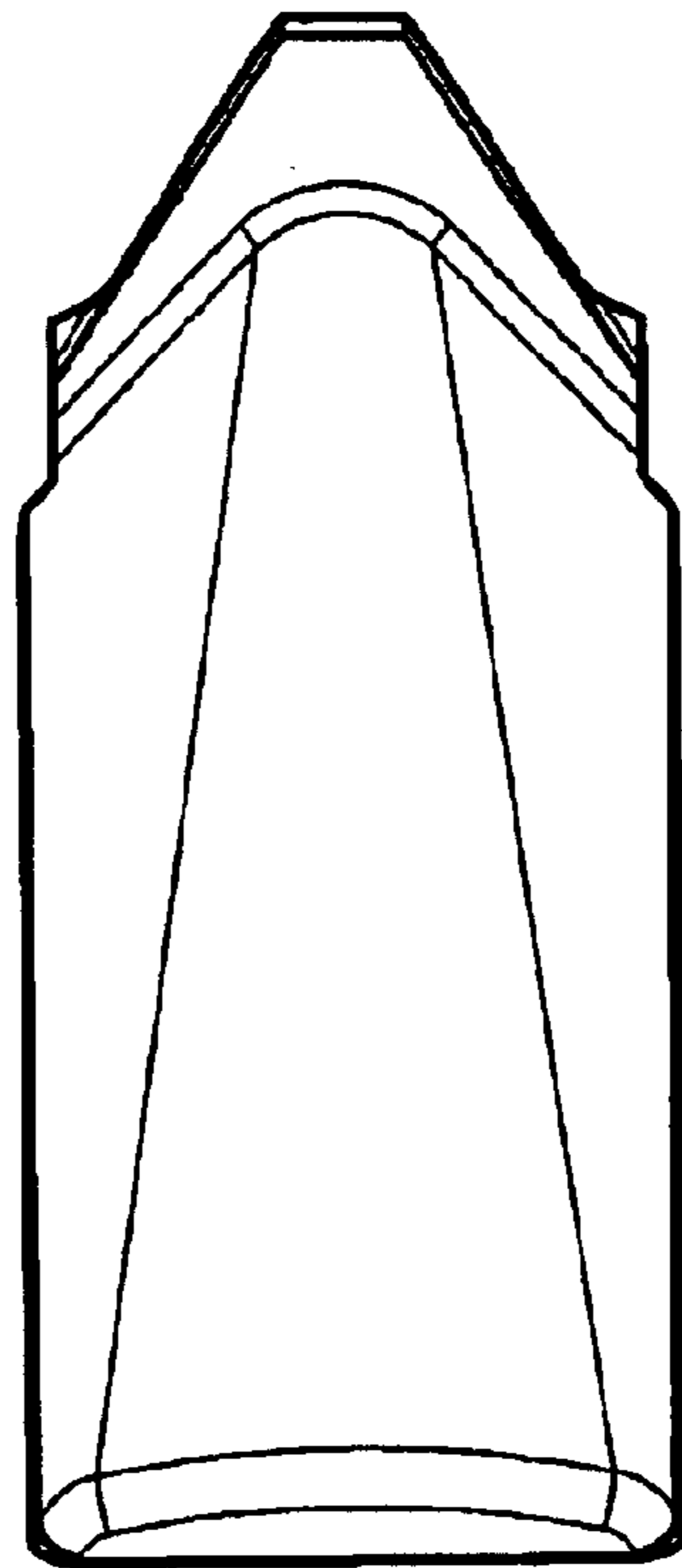


Fig. 8

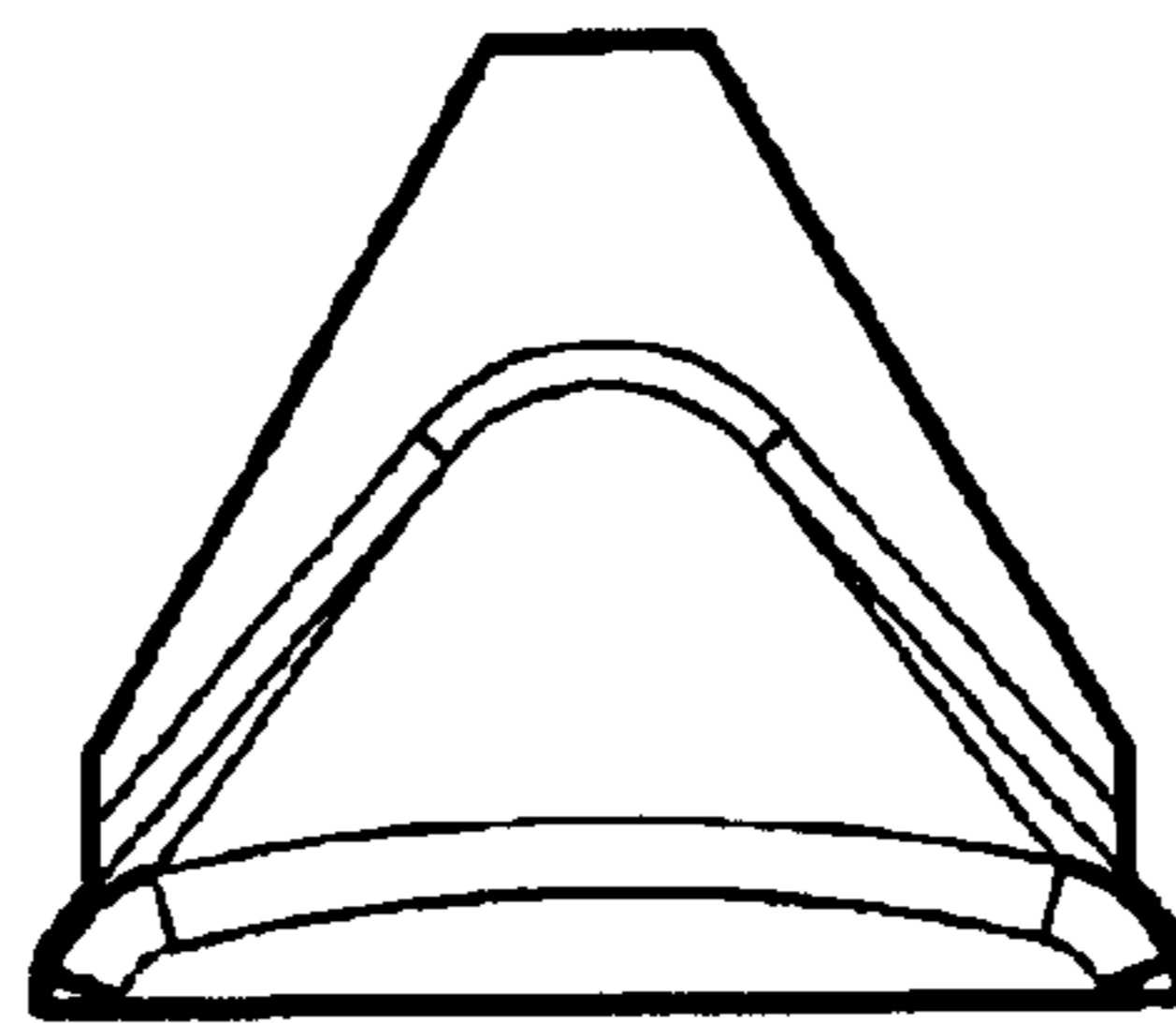


Fig. 9

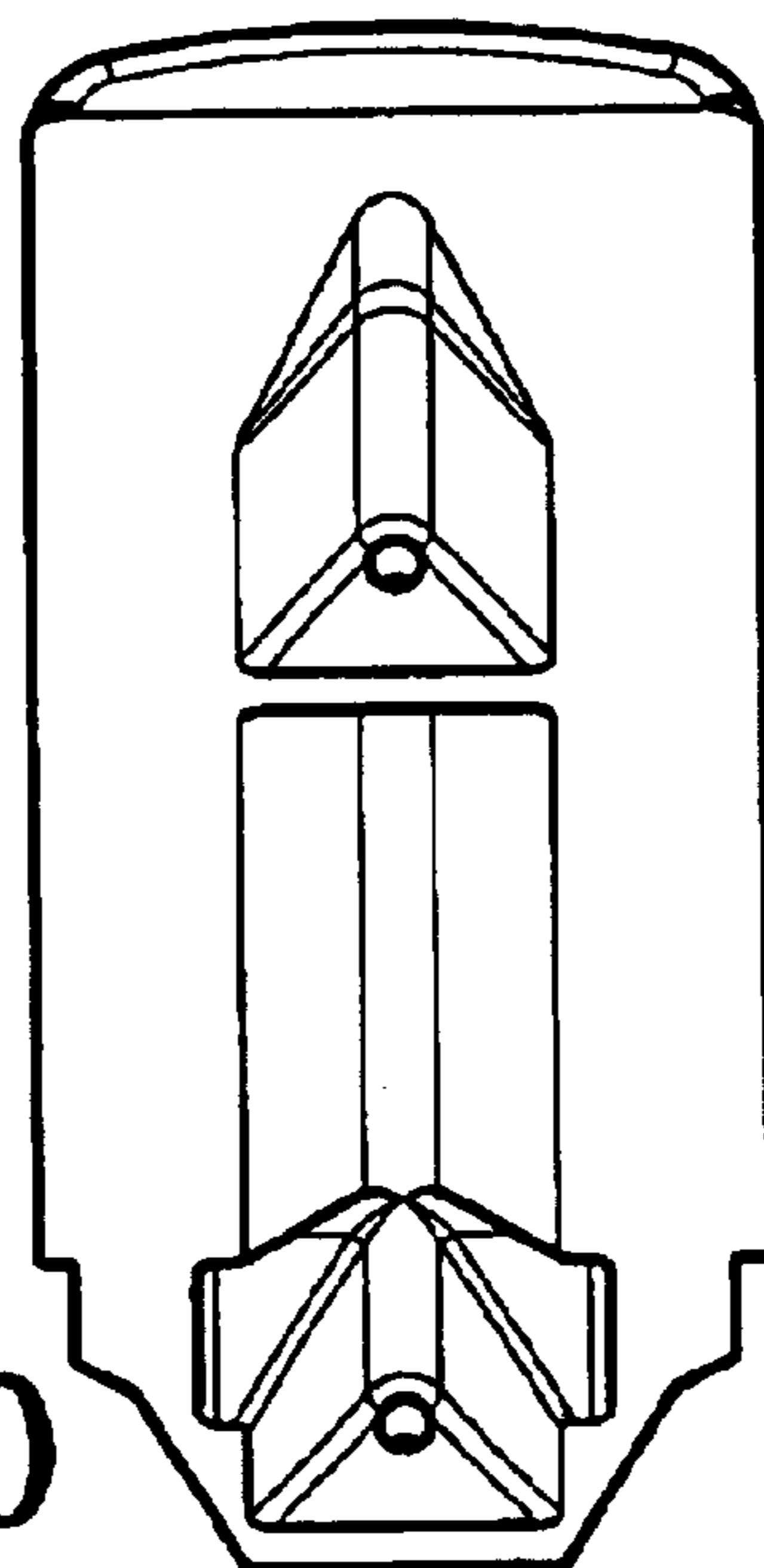


Fig. 10

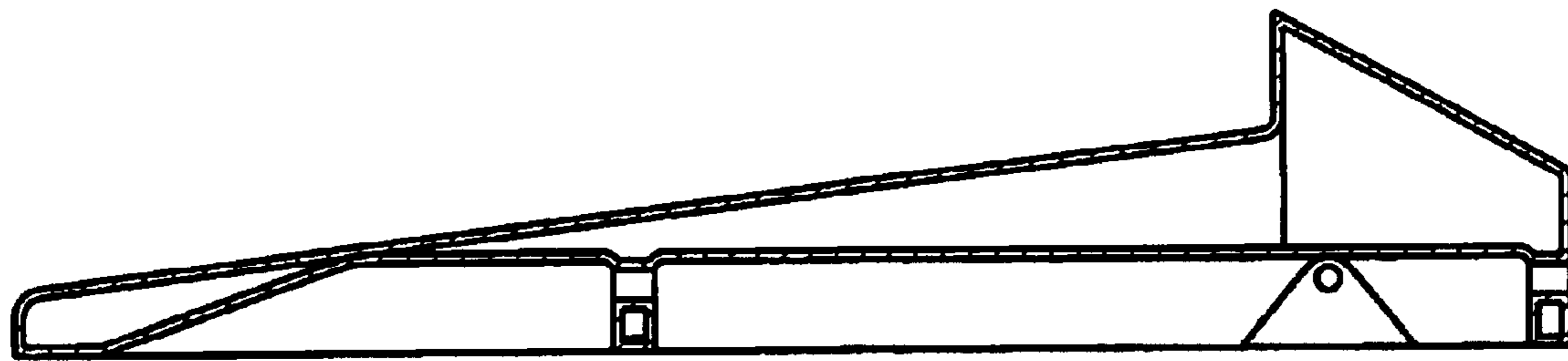


Fig. 11

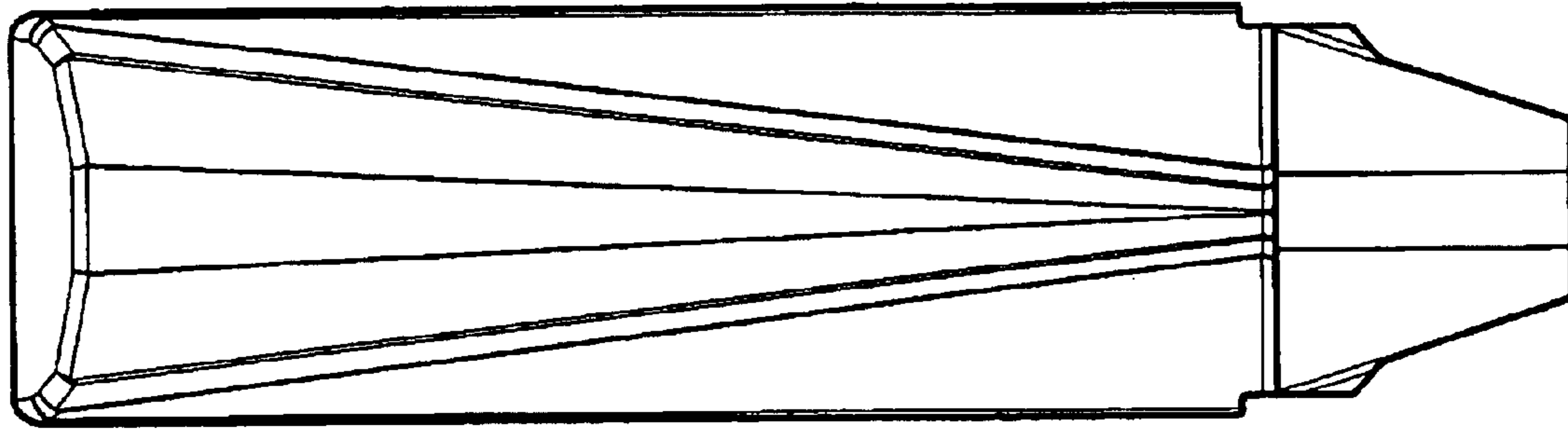


Fig. 12



Fig. 13

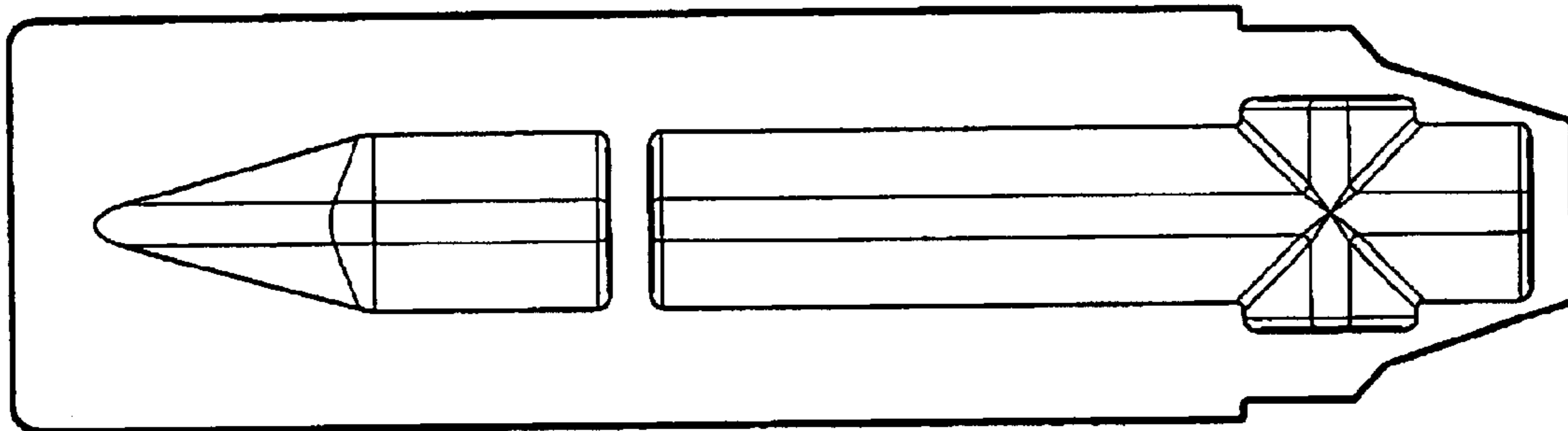


Fig. 14

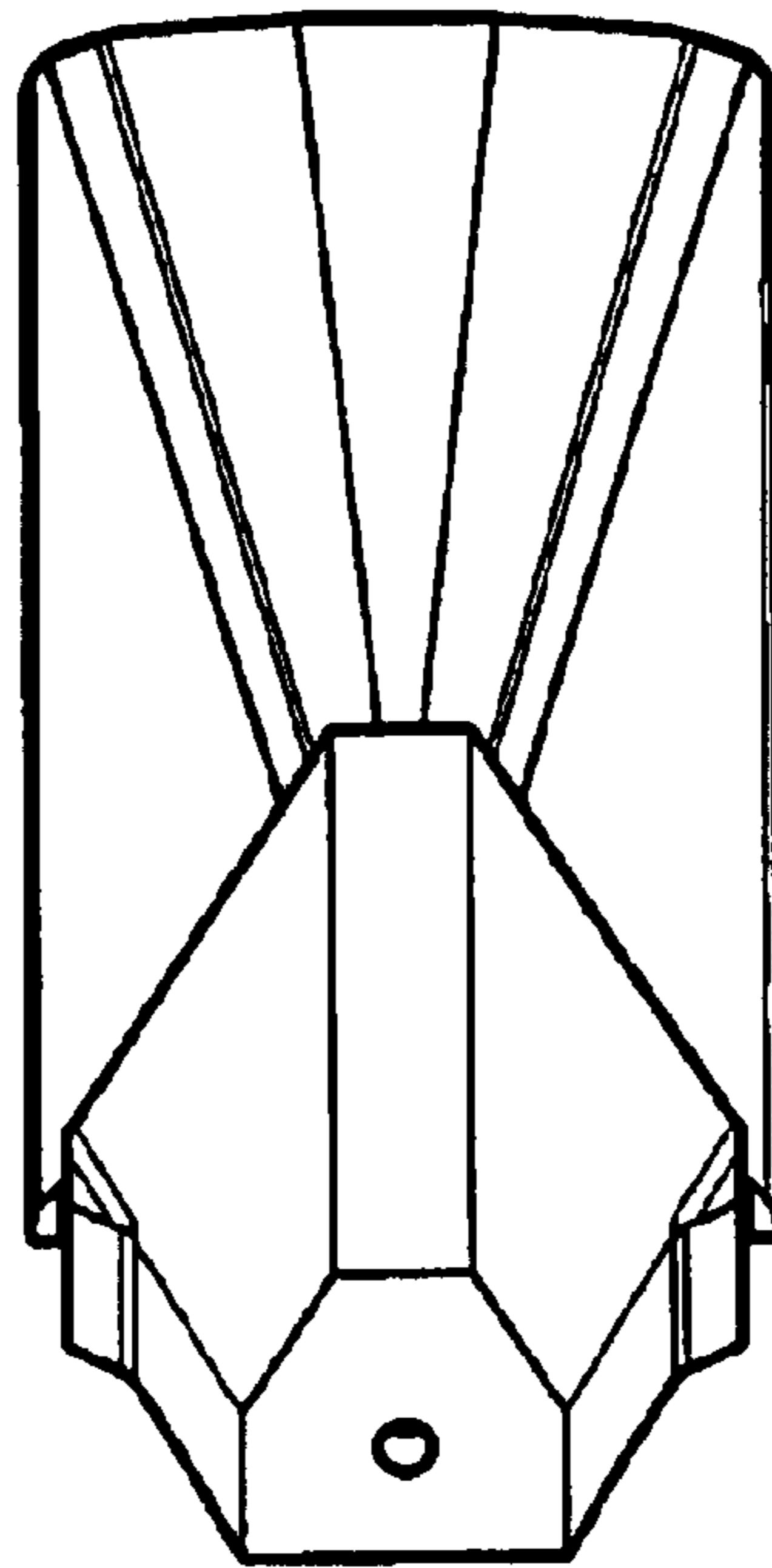


Fig. 15

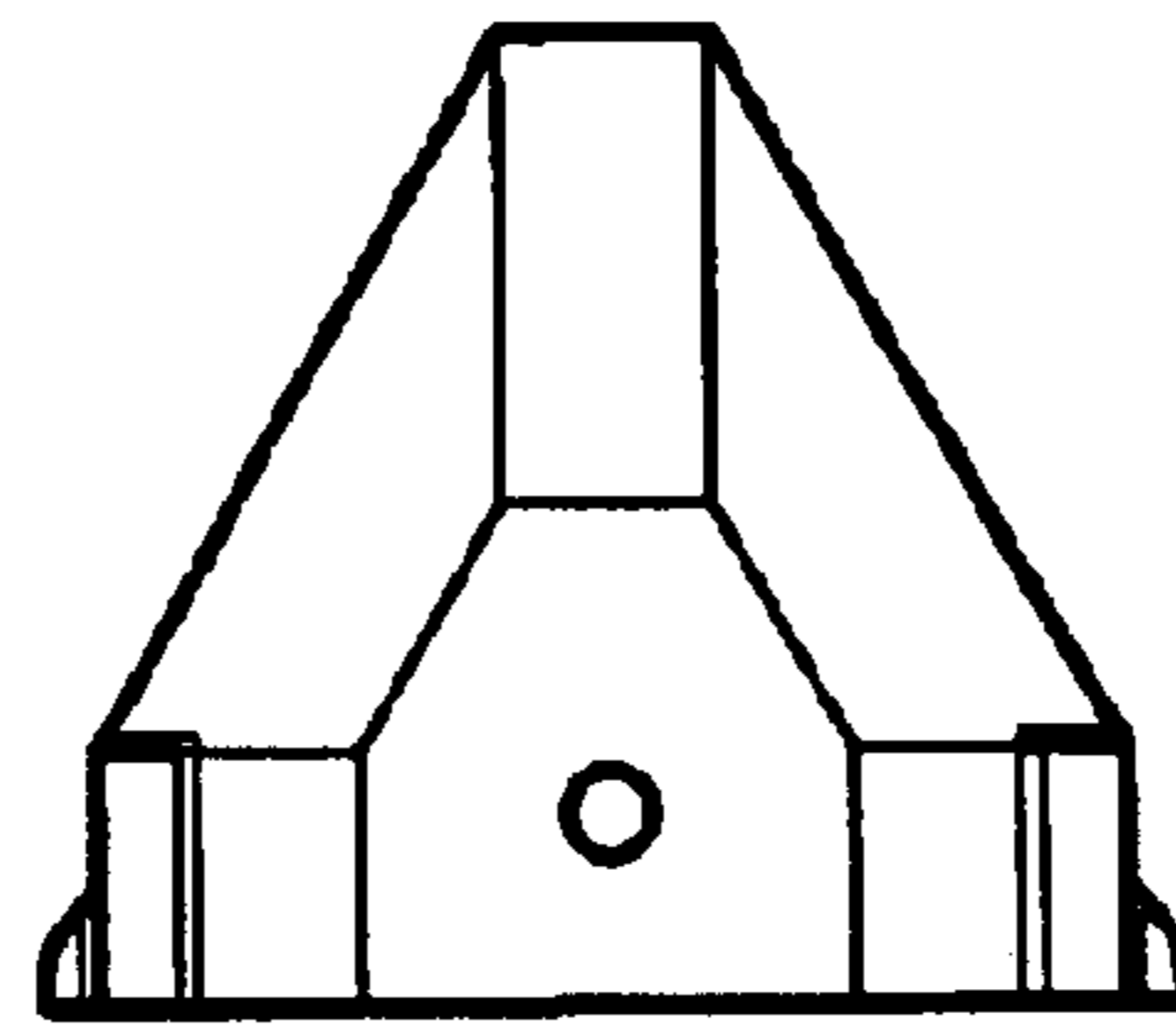


Fig. 16

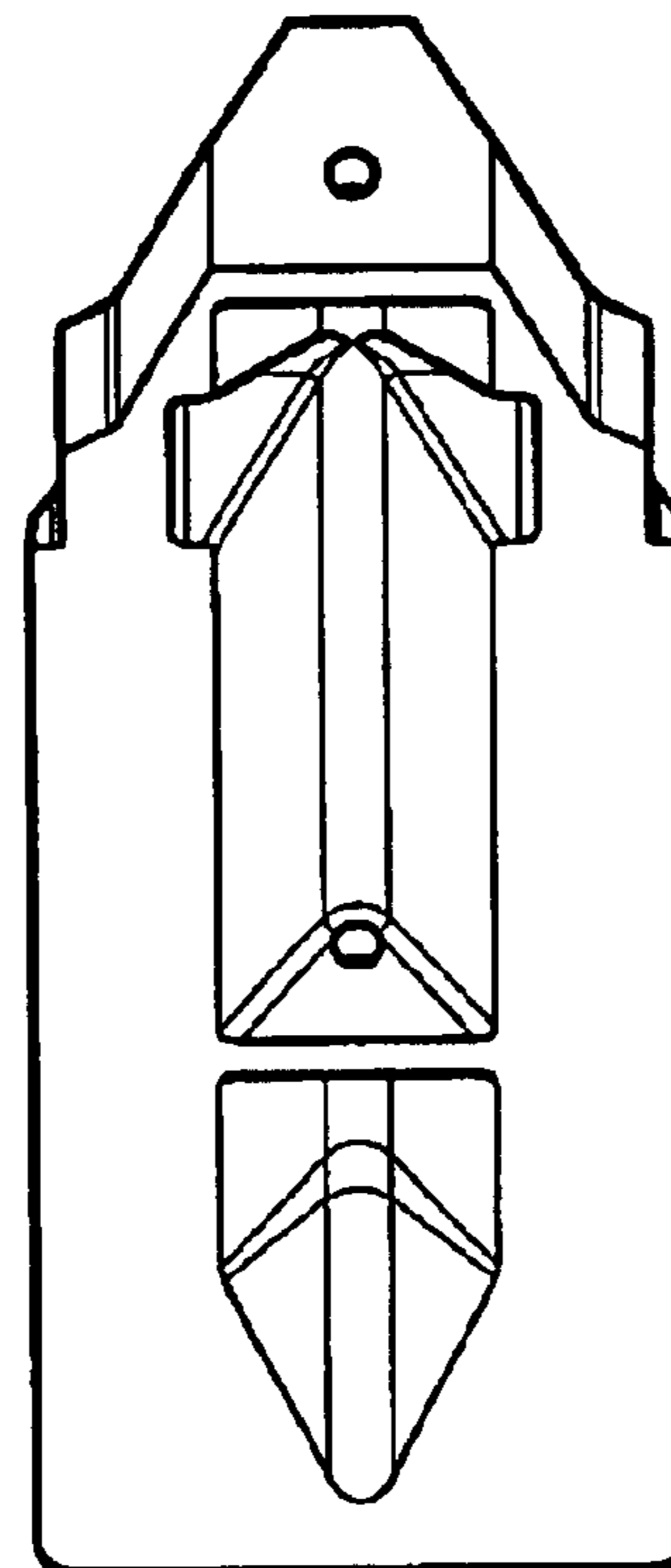


Fig. 17

Fig. 18

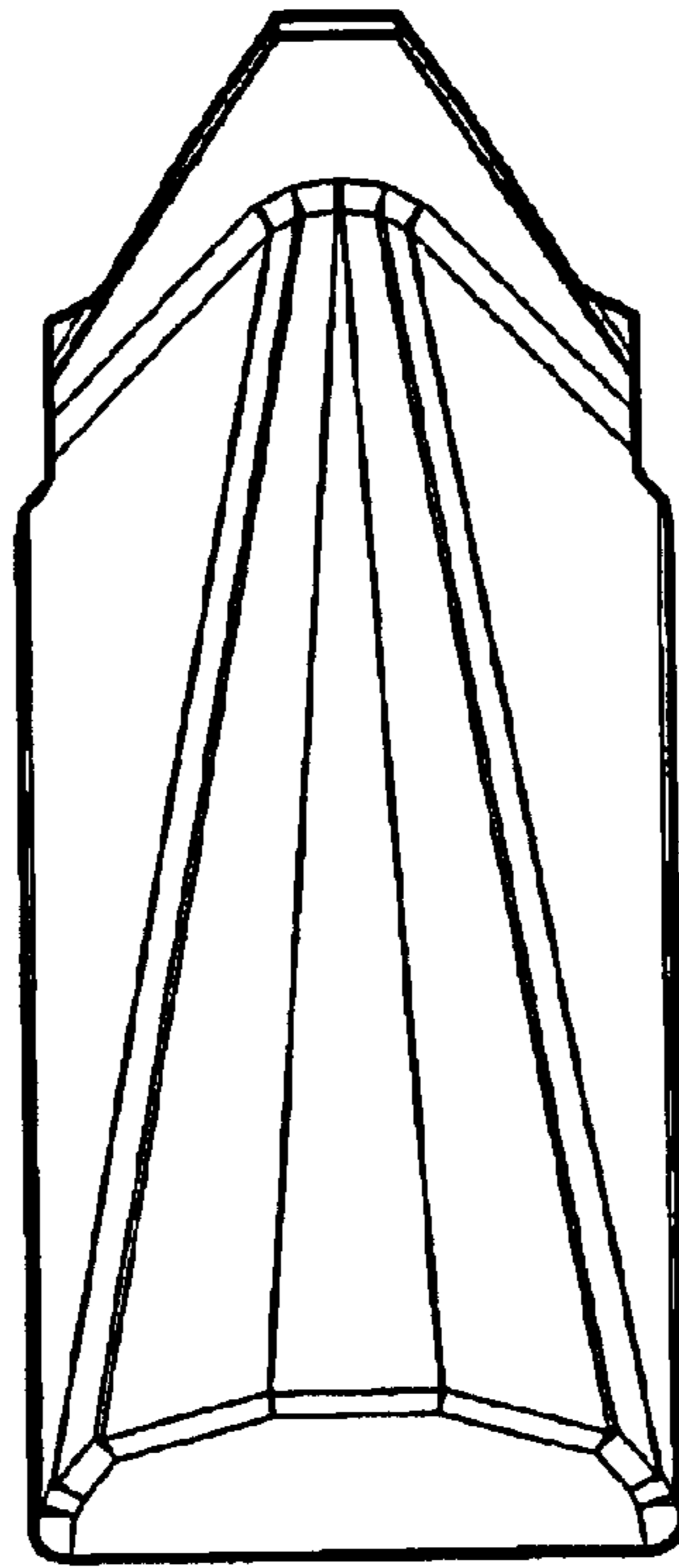


Fig. 19

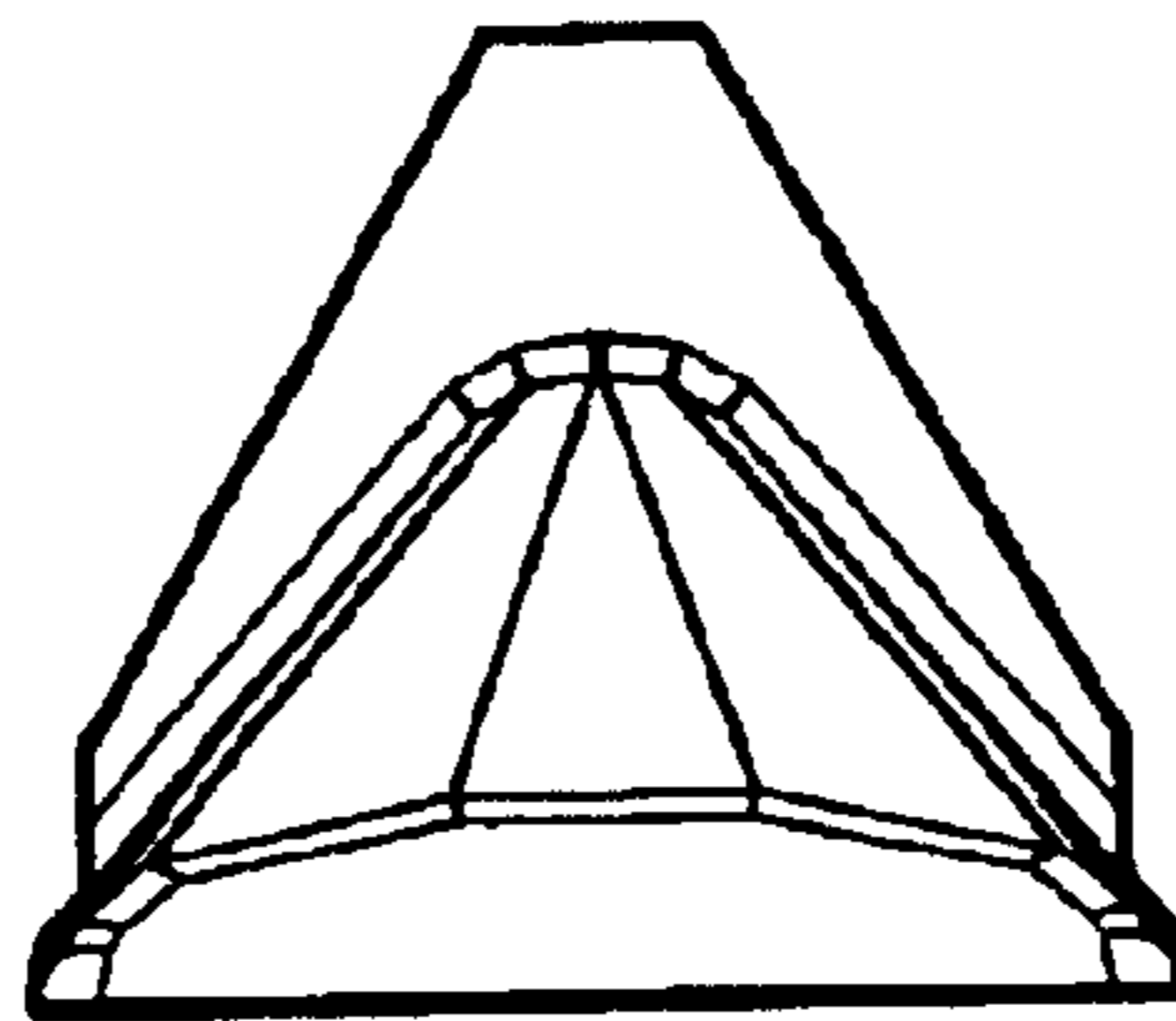


Fig. 20

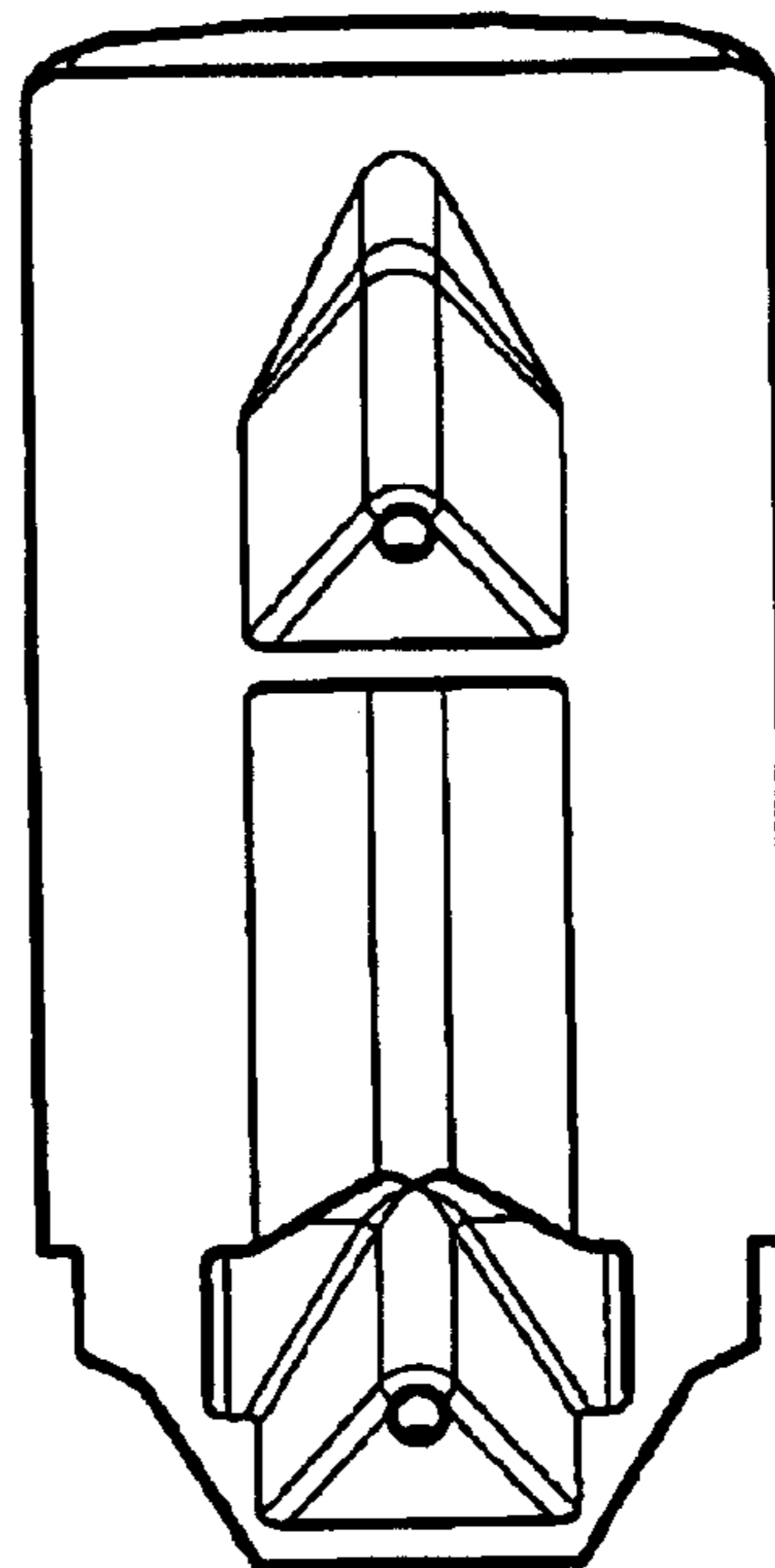
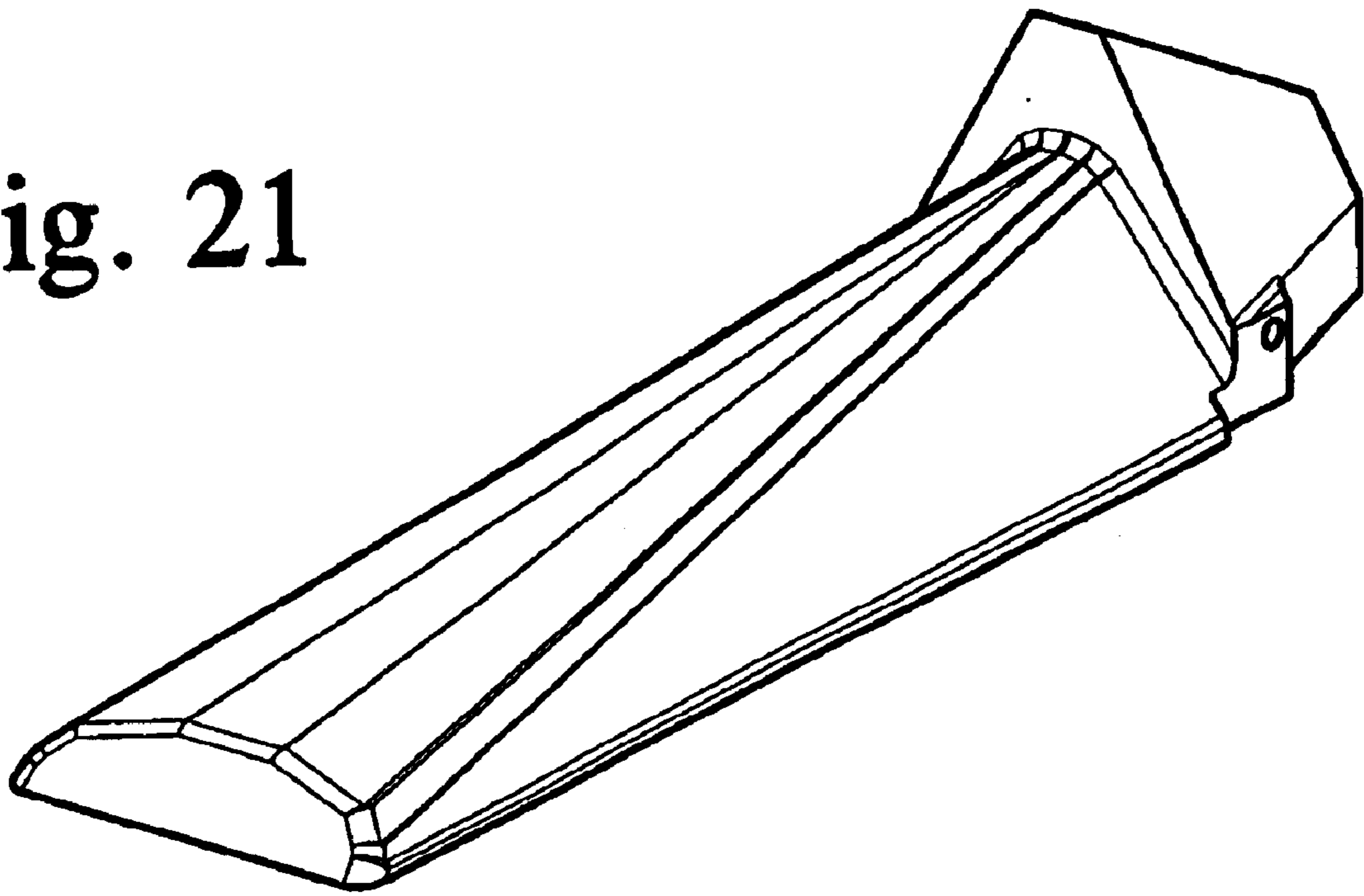


Fig. 21



UNITED STATES PATENT AND TRADEMARK OFFICE
CERTIFICATE OF CORRECTION

PATENT NO. : Des. 494,605 S
APPLICATION NO. : 29/176975
DATED : August 17, 2004
INVENTOR(S) : Marion Calmer

Page 1 of 1

It is certified that error appears in the above-identified patent and that said Letters Patent is hereby corrected as shown below:

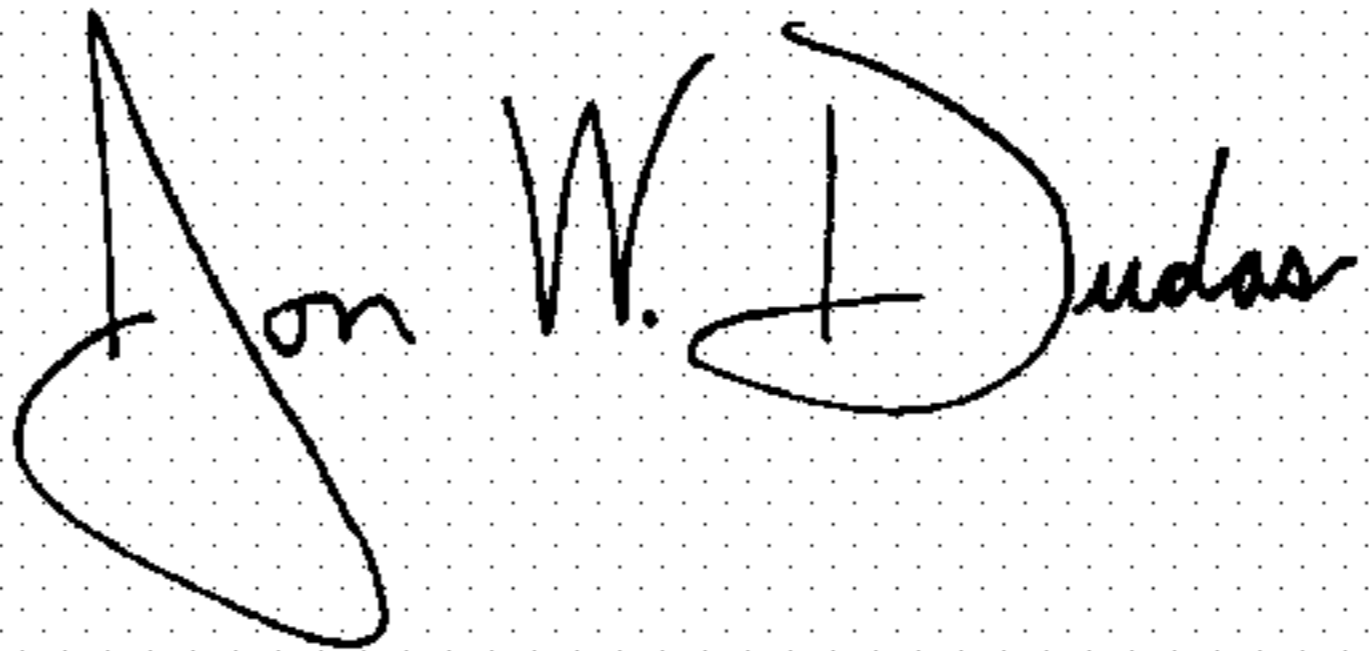
On Title Page

DESCRIPTION

Col. 2, Line 19, after "taken on line" delete --10-10-- and insert --11-11--.
Col. 2, Line 20, after "of FIG." delete --1-- and insert --2--.
Col. 2, Line 23, after "right side view of FIG." delete --11-- and insert --12--.
Col. 2, Line 24, after "bottom plan view of FIG." delete --11-- and insert --12--.
Col. 2, Line 25, after "rear perspective view of FIG." delete --11-- and insert --12--.
Col. 2, Line 26, after "rear elevational view of FIG." delete --11-- and insert --12--.
Col. 2, Line 27, after "bottom perspective view of FIG." delete --11-- and insert --12--.
Col. 2, Line 28, after "front perspective view of FIG." delete --11-- and insert --12--.
Col. 2, Line 29, after "front elevational view of FIG." delete --11-- and insert --12--.
Col. 2, Line 30, after "bottom perspective view of FIG." delete --11-- and insert --12--.
Col. 2, Line 31, after "view of FIG." delete --11-- and insert --12--.

Signed and Sealed this

Twelfth Day of September, 2006

A handwritten signature in black ink on a light gray dotted background. The signature reads "Jon W. Dudas" in a cursive style.

JON W. DUDAS

Director of the United States Patent and Trademark Office