

US00D494603S1

(12) **United States Design Patent**
Kates et al.

(10) **Patent No.: US D494,603 S**
(45) **Date of Patent: ** Aug. 17, 2004**

(54) **GRAPHICAL USER INTERFACE FOR A DISPLAY SCREEN**

(75) Inventors: **Jesse M. Kates**, Kansas City, MO (US); **Vytas A. Gaizutis**, Overland Park, KS (US); **Michael E. Daley**, Leawood, KS (US); **Jonathan C. Ochenas**, Kansas City, MO (US)

(73) Assignee: **Sprint Spectrum L.P.**, Overland Park, KS (US)

(**) Term: **14 Years**

(21) Appl. No.: **29/190,637**

(22) Filed: **Sep. 23, 2003**

Related U.S. Application Data

(62) Division of application No. 29/165,368, filed on Aug. 8, 2002.

(51) **LOC (7) Cl.** **14-02**

(52) **U.S. Cl.** **D14/486**

(58) **Field of Search** D14/24-33; D18/24-33; D19/6; D20/11; D21/324-33; 345/700-26, 764-866

(56) **References Cited**

U.S. PATENT DOCUMENTS

D437,858 S 2/2001 Yasui et al.

D438,873 S * 3/2001 Wang et al. D14/486
D444,793 S 7/2001 Richter
D445,801 S * 7/2001 Ma D14/486
D450,324 S 11/2001 Istvan et al.
D454,139 S * 3/2002 Feldcamp D14/486
D464,361 S 10/2002 Malison
D465,227 S 11/2002 Ro et al.
D468,322 S 1/2003 Walker et al.
D470,153 S 2/2003 Billmaier et al.

* cited by examiner

Primary Examiner—M. H. Tung

(57) **CLAIM**

The ornamental design for a graphical user interface for a display screen, as shown and described.

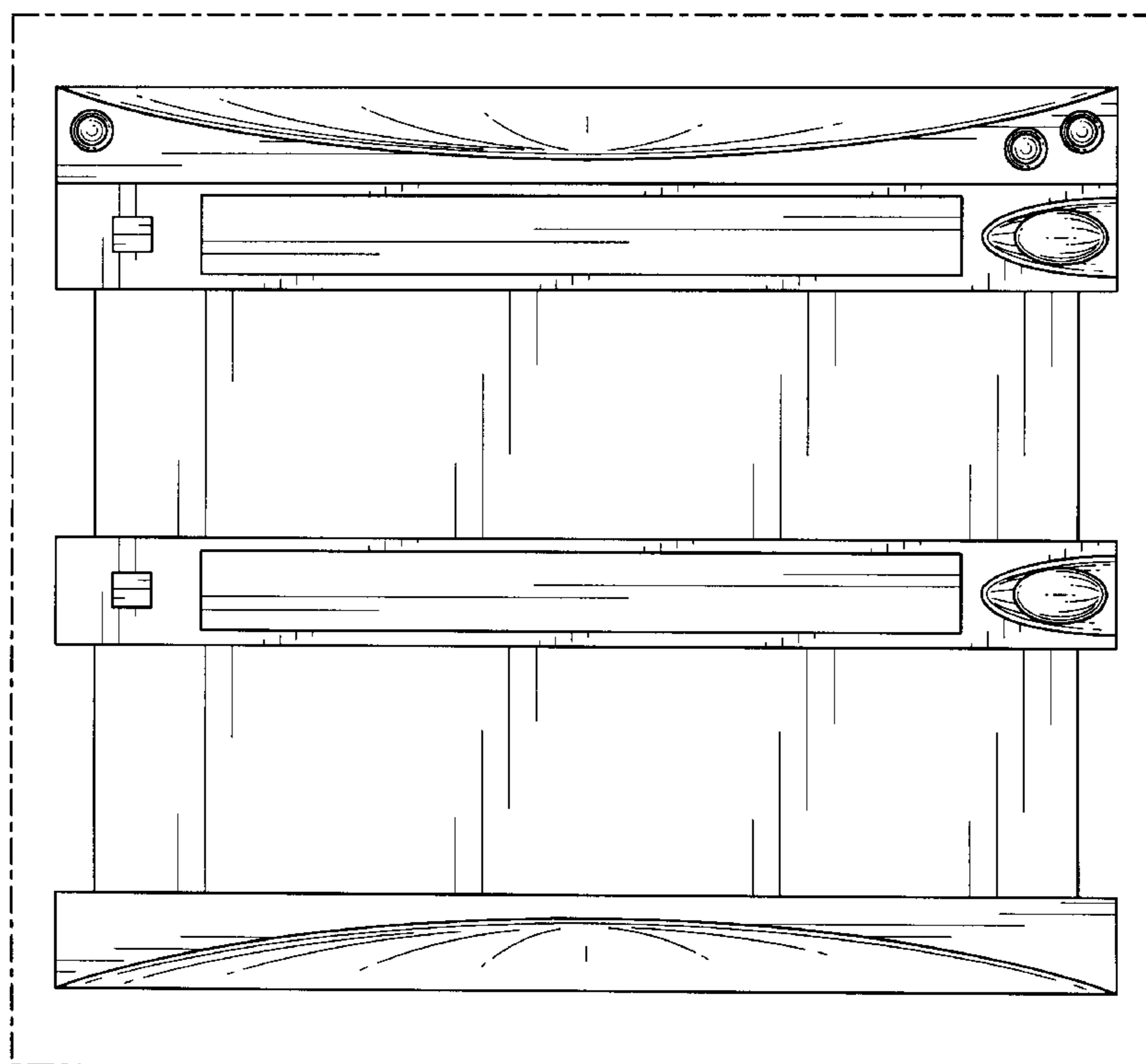
DESCRIPTION

FIG. 1 is a front view of a graphical user interface for a display screen; and,

FIG. 2 is a front view of a second embodiment thereof.

The broken line drawing of a display screen in both views is for illustrative purposes only and forms no part of the claimed design.

1 Claim, 2 Drawing Sheets



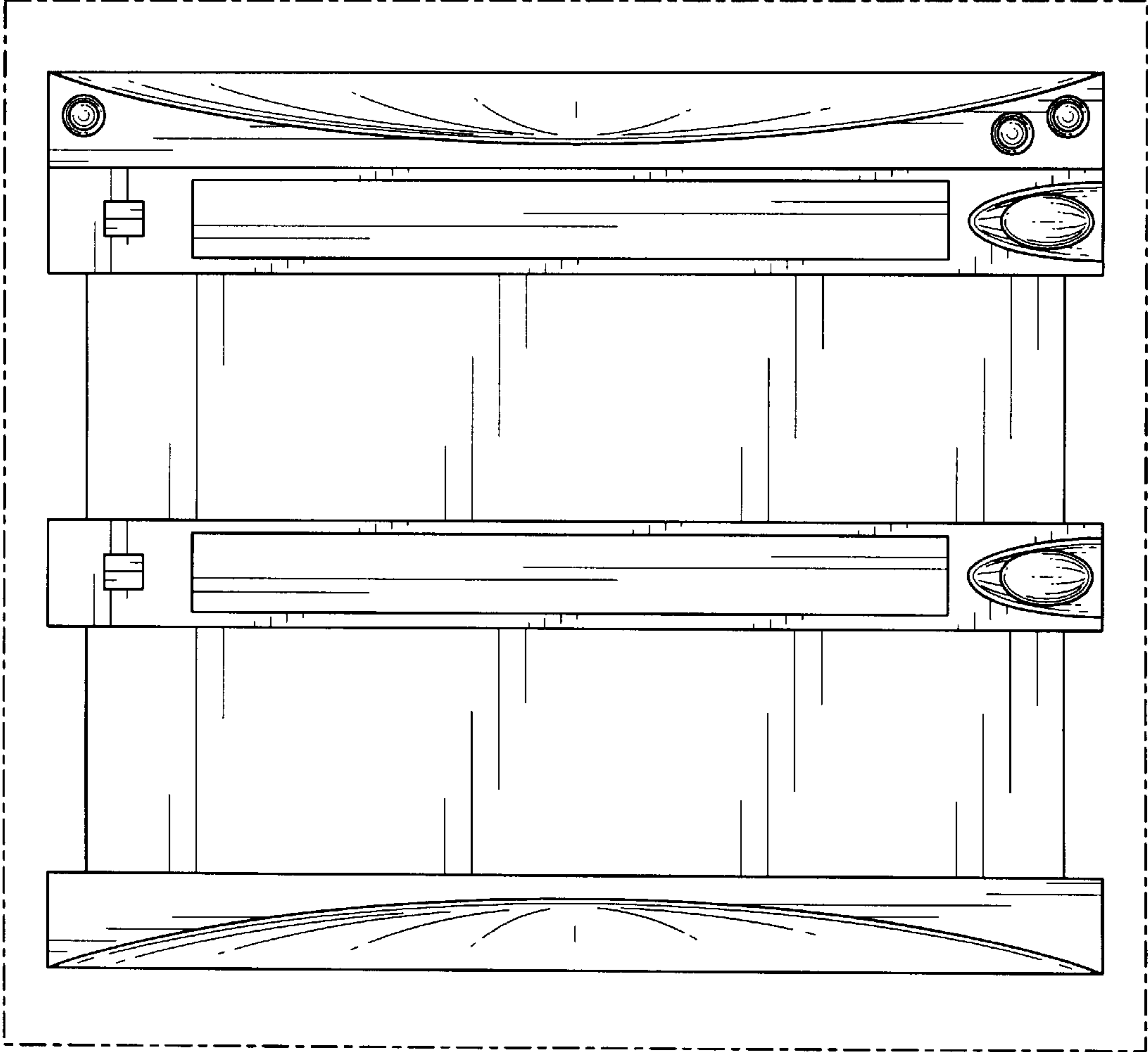


FIG. 1

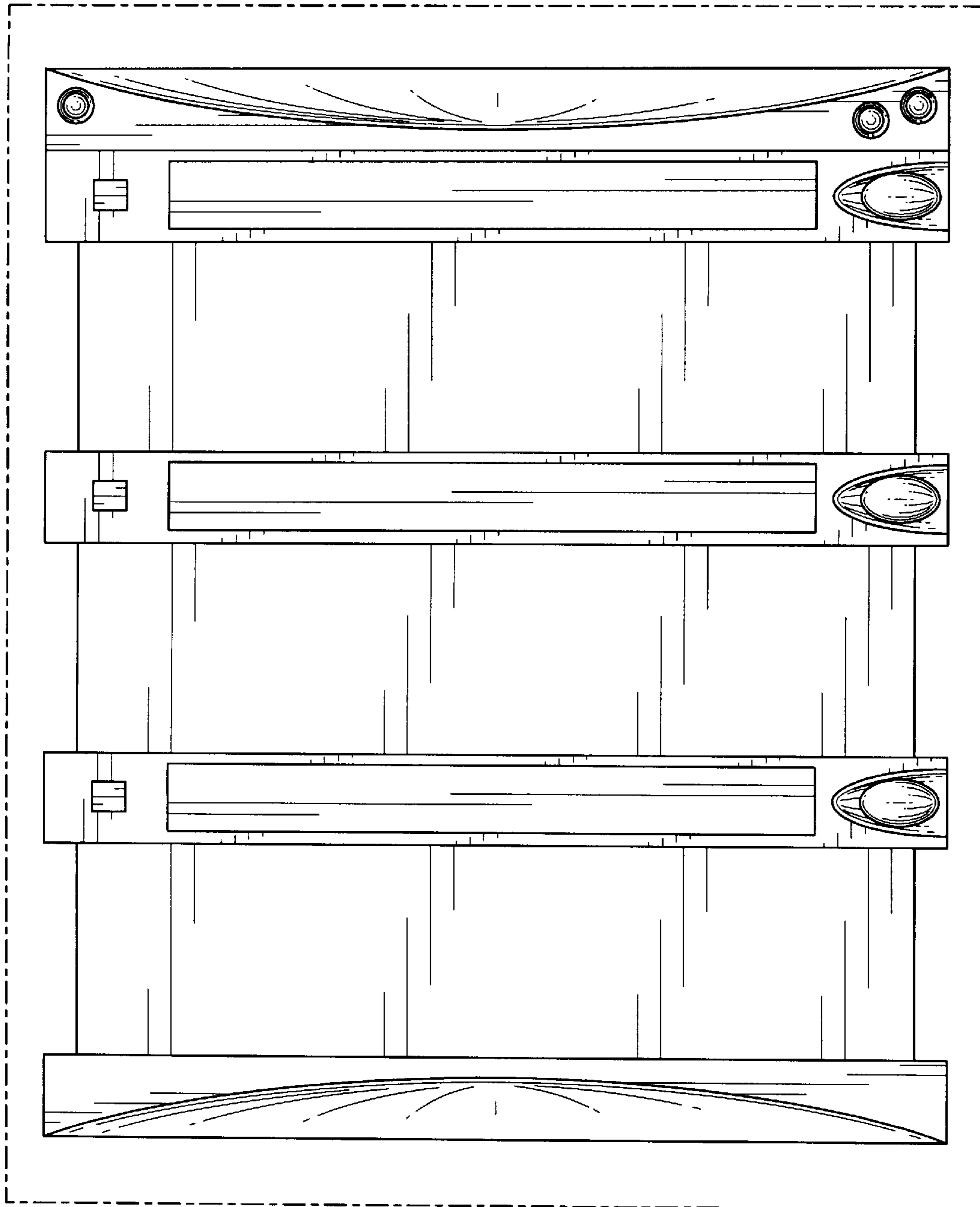


FIG. 2