

US00D494602S1

(12) **United States Design Patent**  
**Arisaka et al.**

(10) **Patent No.:** **US D494,602 S**

(45) **Date of Patent:** **\*\* Aug. 17, 2004**

(54) **OIL DAMPER**

(75) Inventors: **Oomi Arisaka**, Kanagawa-ken (JP);  
**Hideaki Muramatsu**, Kanagawa (JP);  
**Yukinori Kawamura**, Gifu (JP)

(73) Assignee: **Piolax Inc.**, Yokohama (JP)

(\*\*) Term: **14 Years**

(21) Appl. No.: **29/193,854**

(22) Filed: **Nov. 17, 2003**

(51) **LOC (7) Cl.** ..... **14-99**

(52) **U.S. Cl.** ..... **D14/483**

(58) **Field of Search** ..... D14/474-483,  
D14/496, 299; D8/499, 323; 360/220, 221.1,  
230, 137; 475/92; 188/290, 371, 378, 268;  
381/354; D15/147, 199, 143

(56) **References Cited**

**U.S. PATENT DOCUMENTS**

D246,177 S \* 10/1977 Dalziel ..... D14/483  
4,571,773 A \* 2/1986 Yuda ..... 16/85  
4,893,522 A \* 1/1990 Arakawa ..... 74/574

5,211,267 A \* 5/1993 Clark ..... 188/276  
5,355,979 A \* 10/1994 Stephan et al. .... 188/290  
5,392,884 A \* 2/1995 Ojima ..... 188/293  
D455,757 S \* 4/2002 Lopez-Mas ..... D14/483  
D479,242 S \* 9/2003 Kurachi et al. .... D14/483  
D486,833 S \* 2/2004 Koizumi et al. .... D14/483

\* cited by examiner

*Primary Examiner*—Prabhakar Deshmukh

(74) *Attorney, Agent, or Firm*—McGinn & Gibb, PLLC

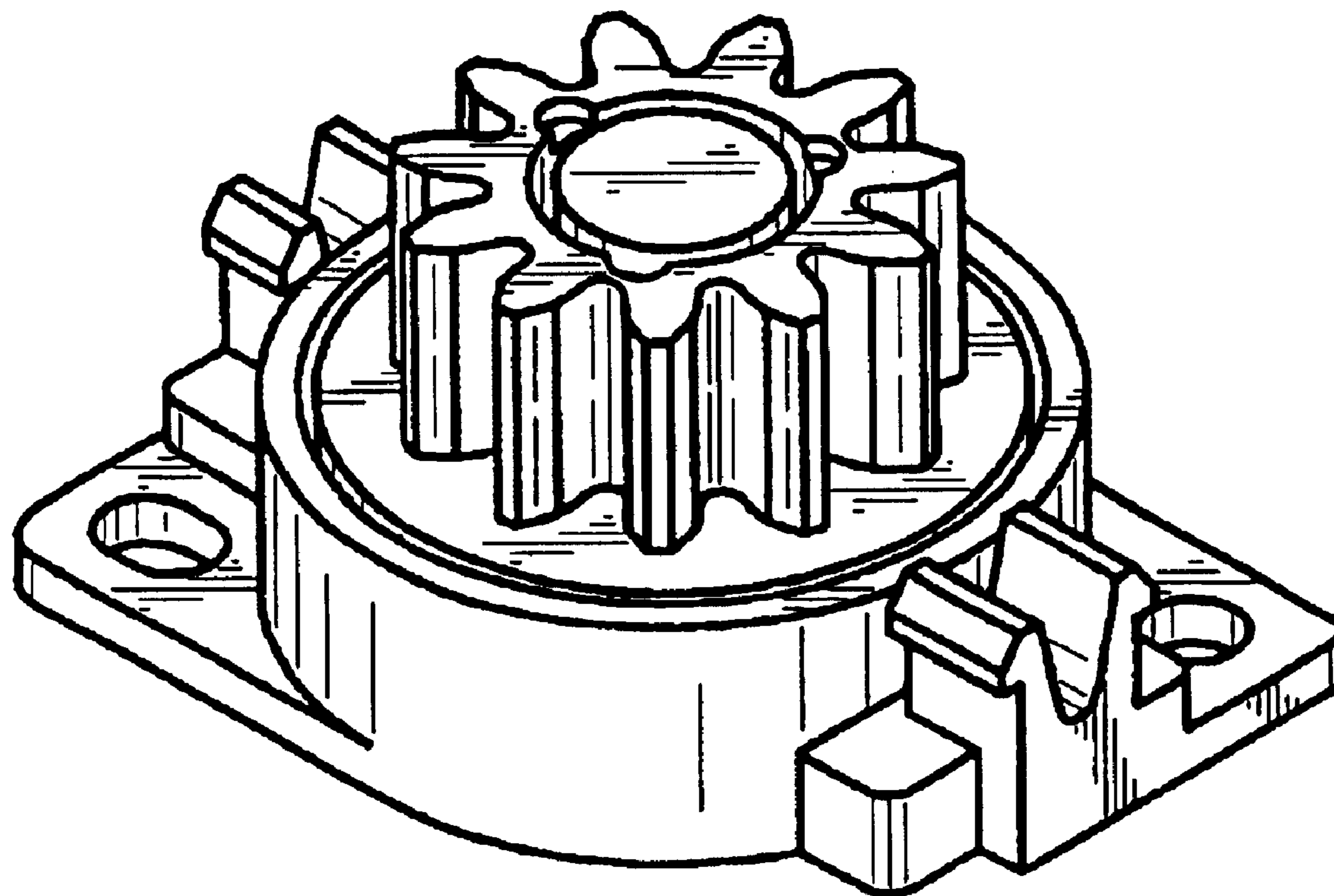
(57) **CLAIM**

The ornamental design for an oil damper, as shown and described.

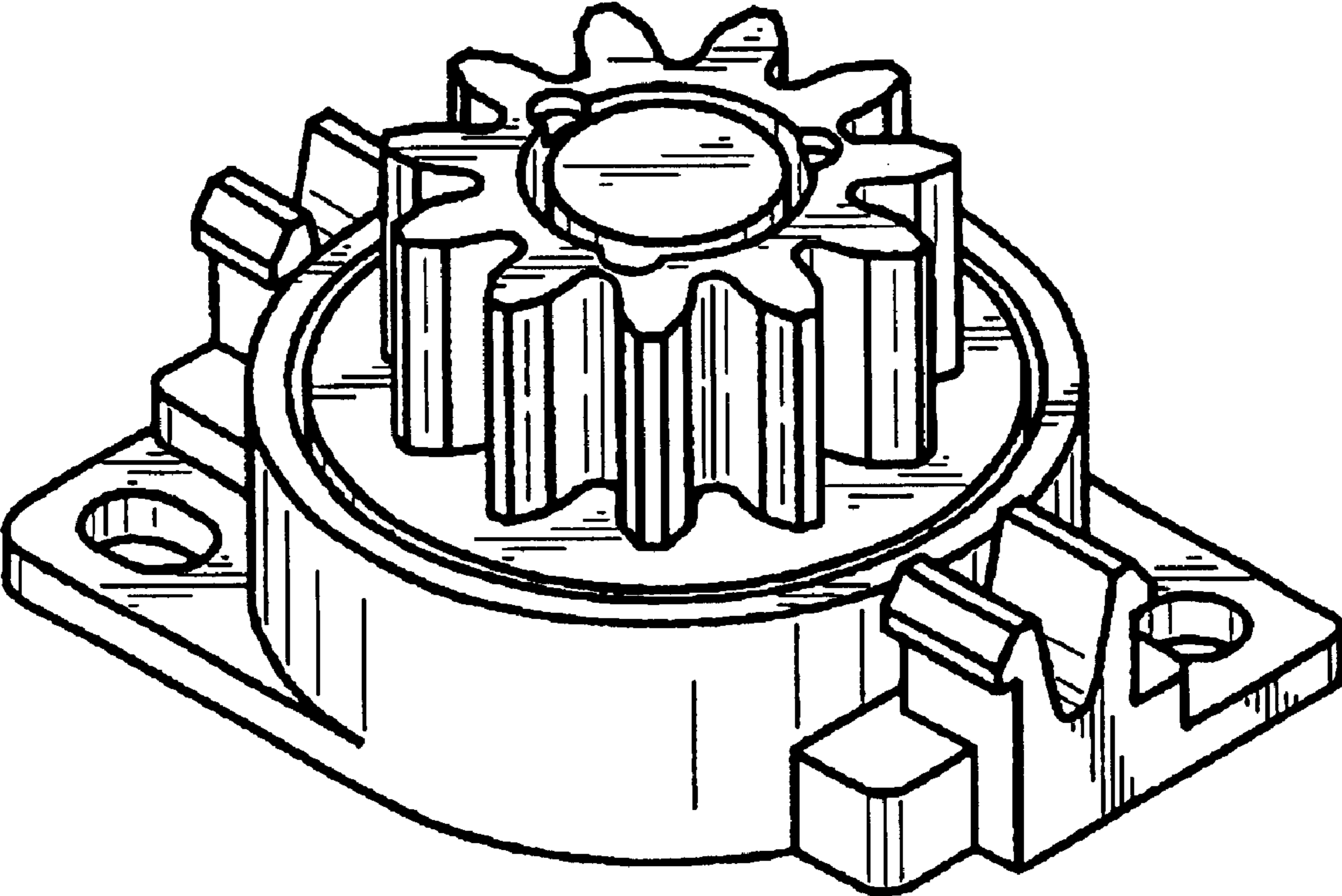
**DESCRIPTION**

FIG. 1 is a perspective view of the front, bottom and left side of an oil damper showing our new design;  
FIG. 2 is a top plan view thereof;  
FIG. 3 is a front view thereof;  
FIG. 4 is a left side view thereof;  
FIG. 5 is a right side view thereof;  
FIG. 6 is a rear view thereof; and,  
FIG. 7 is a bottom view thereof.

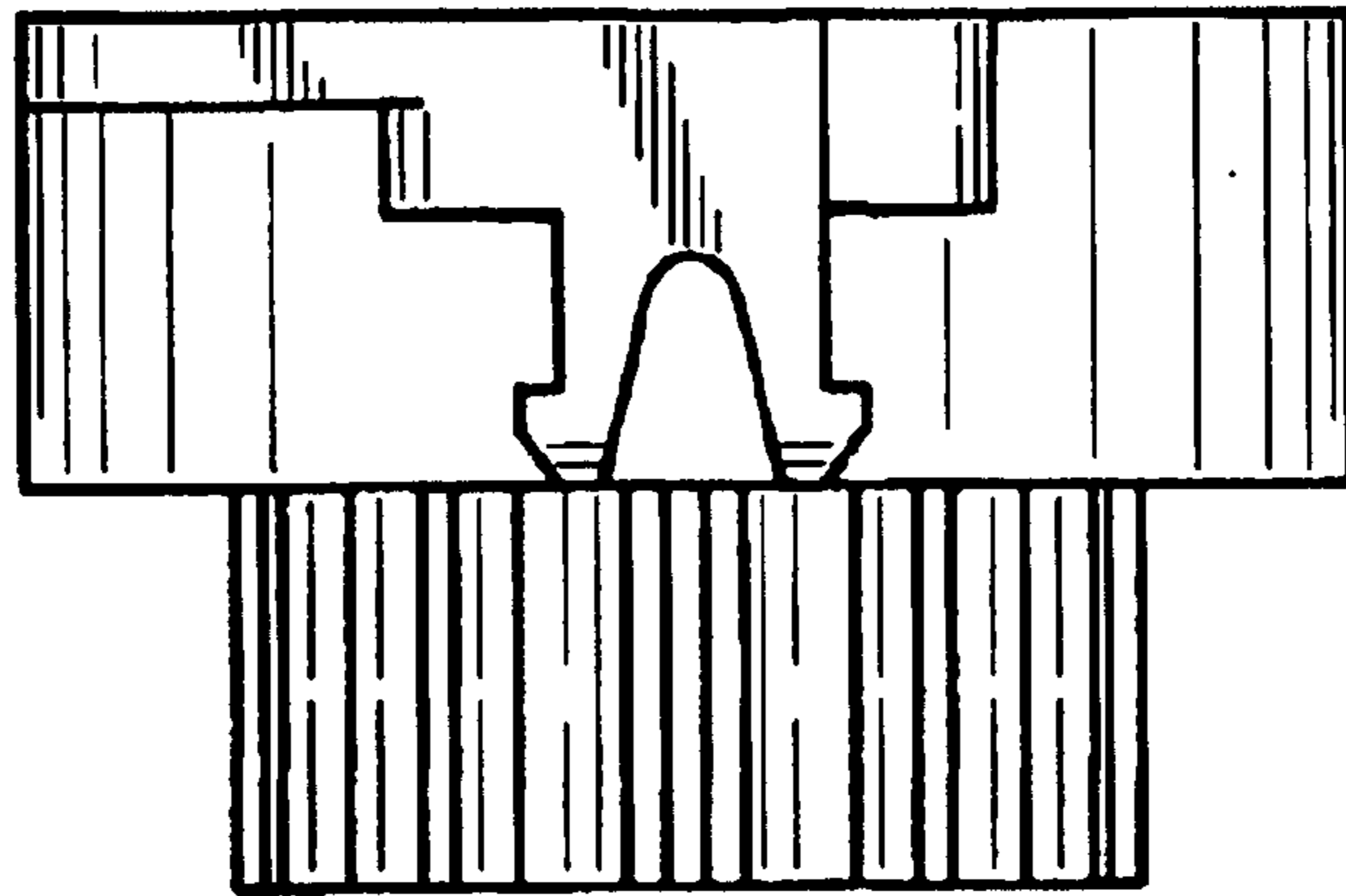
**1 Claim, 4 Drawing Sheets**



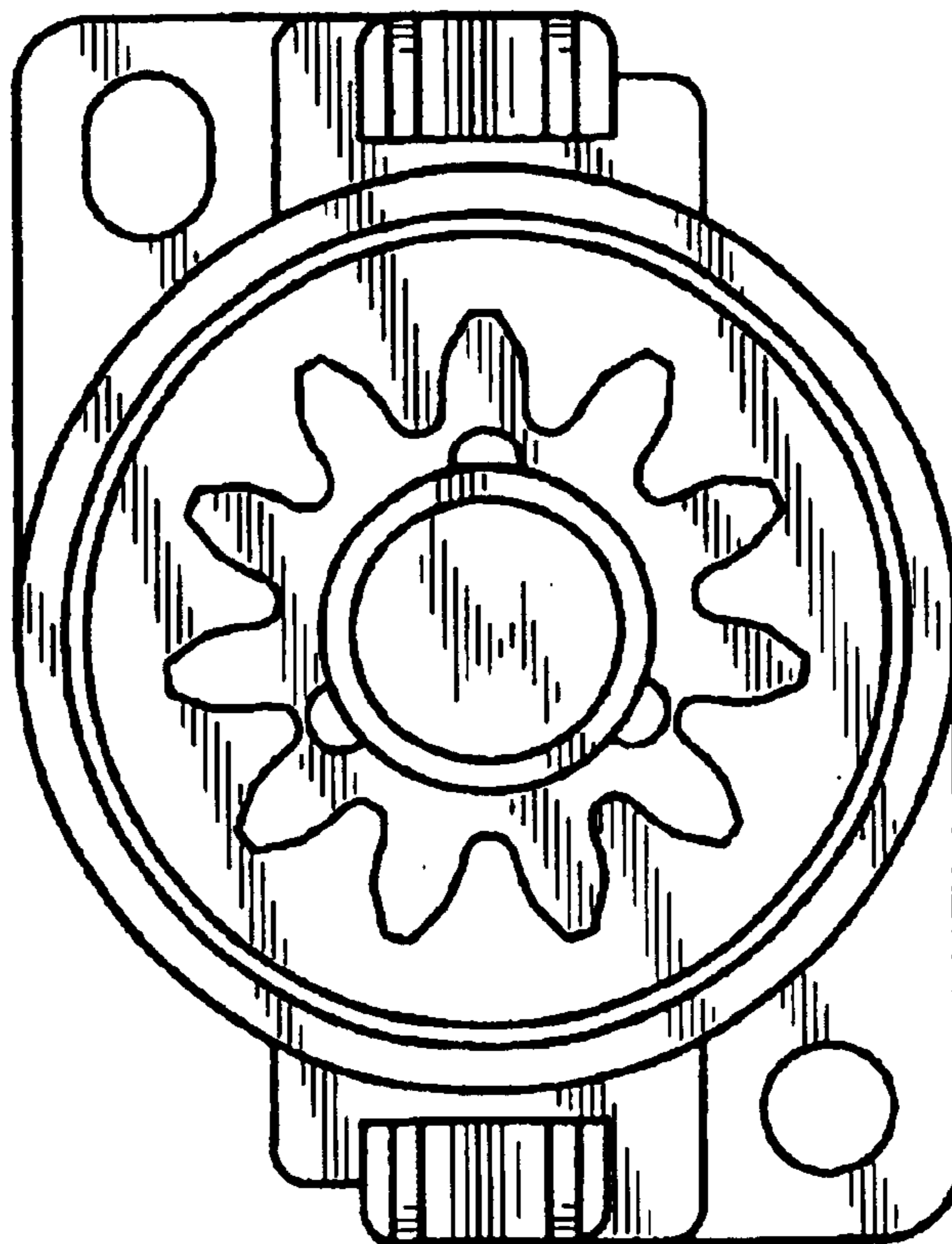
*FIG. 1*



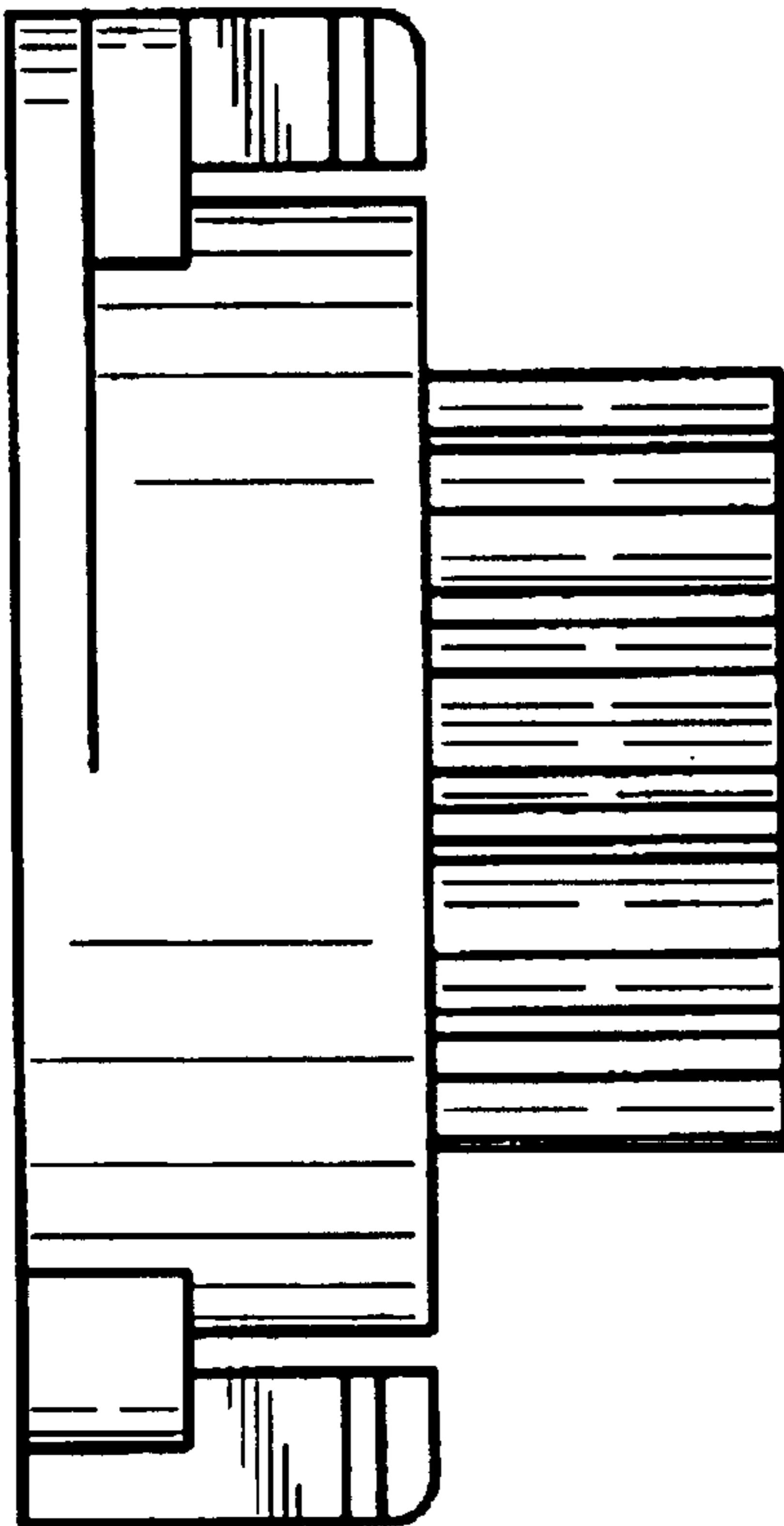
*FIG. 2*



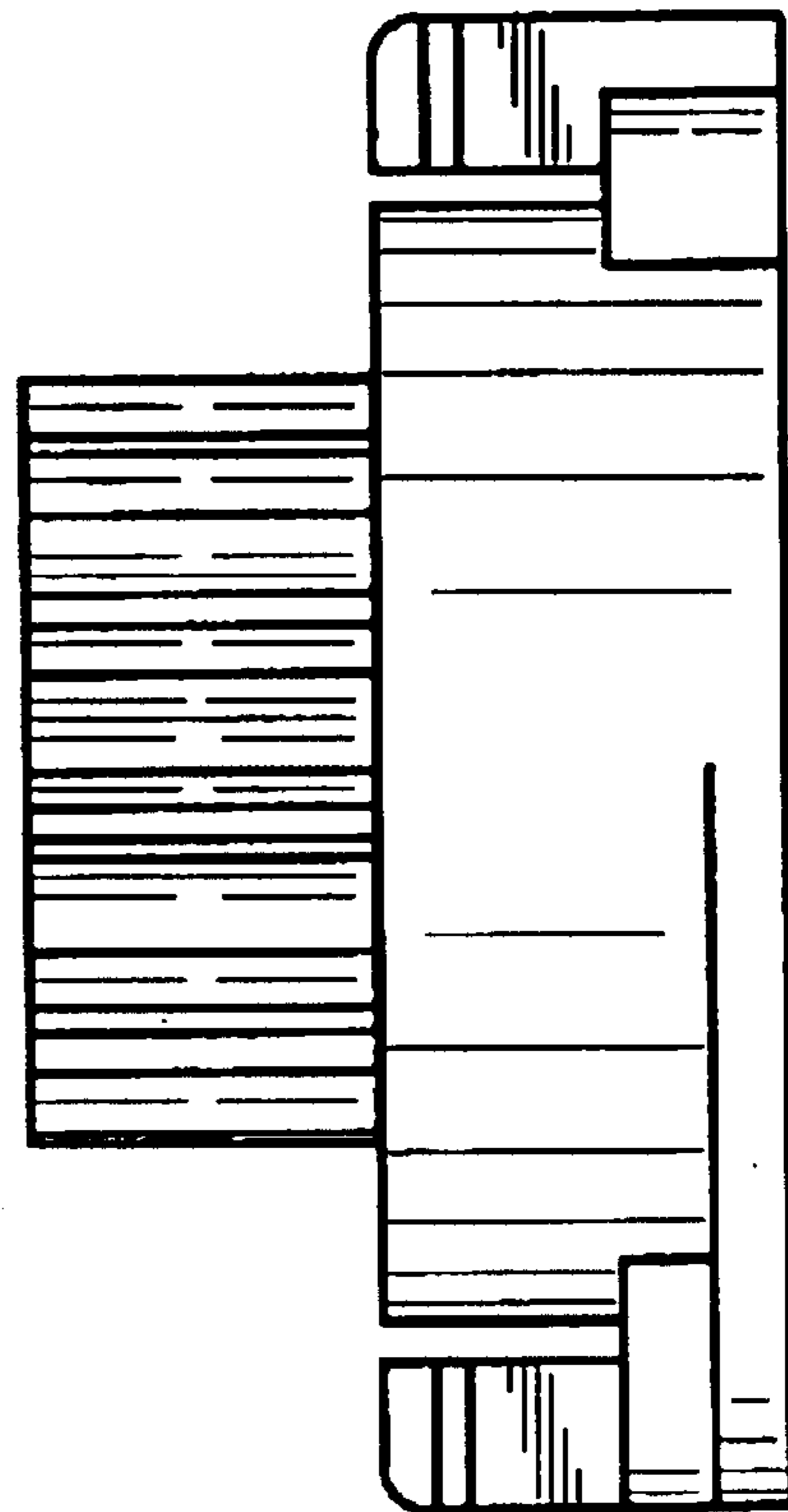
*FIG. 3*



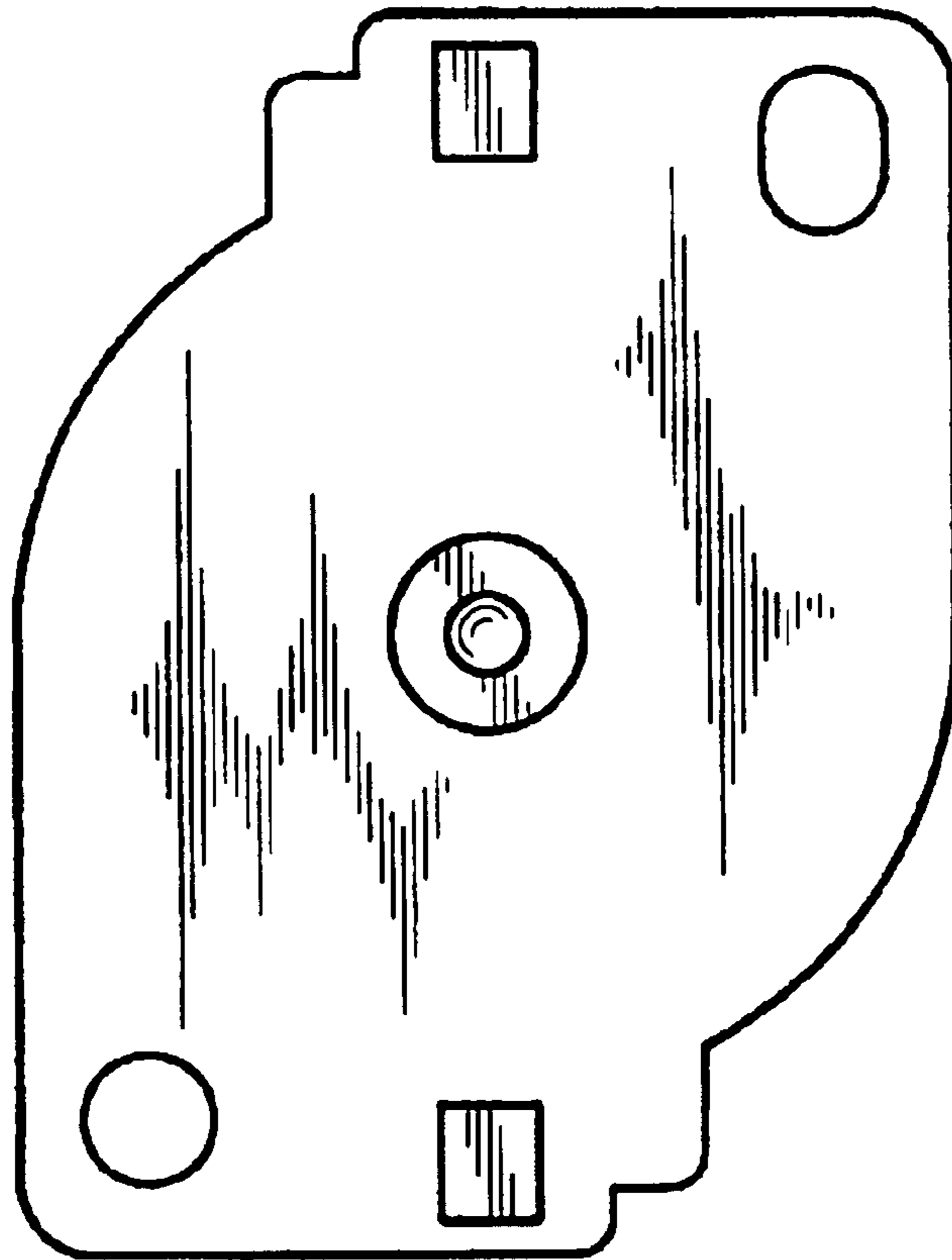
*FIG. 4*



*FIG. 5*



*FIG. 6*



*FIG. 7*

