

US00D494601S1

(12) **United States Design Patent**
Arisaka et al.

(10) **Patent No.:** **US D494,601 S**

(45) **Date of Patent:** **** Aug. 17, 2004**

(54) **OIL DAMPER**

(75) Inventors: **Oomi Arisaka**, Kanagawa-ken (JP);
Hideaki Muramatsu, Kanagawa (JP);
Yukinori Kawamura, Gifu (JP)

(73) Assignee: **Piolax Inc.**, Yokohama (JP)

(**) Term: **14 Years**

(21) Appl. No.: **29/193,842**

(22) Filed: **Nov. 17, 2003**

(51) **LOC (7) Cl.** **14-99**

(52) **U.S. Cl.** **D14/483**

(58) **Field of Search** D14/474-483,
D14/496, 299; D8/499, 323; 360/220, 221.1,
230, 137; 475/92; 188/290, 371, 378, 268;
381/354; D15/147, 199, 143

(56) **References Cited**

U.S. PATENT DOCUMENTS

D246,177 S * 10/1977 Dalziel D14/483
4,571,773 A * 2/1986 Yuda 16/85
4,893,522 A * 1/1990 Arakawa 74/574

5,211,267 A * 5/1993 Clark 188/276
5,355,979 A * 10/1994 Stephan et al. 188/290
5,392,884 A * 2/1995 Ojima 188/293
D455,757 S * 4/2002 Lopez-Mas D14/483
D479,242 S * 9/2003 Kurachi et al. D14/483
D486,833 S * 2/2004 Koizumi et al. D14/483

* cited by examiner

Primary Examiner—Prabhakar Deshmukh

(74) *Attorney, Agent, or Firm*—McGinn & Gibb, PLLC

(57) **CLAIM**

The ornamental design for an oil damper, as shown and described.

DESCRIPTION

FIG. 1 is a perspective view of the front, bottom and left side of an oil damper showing our new design;
FIG. 2 is a top plan view thereof;
FIG. 3 is a front view thereof;
FIG. 4 is a left side view thereof;
FIG. 5 is a right side view thereof;
FIG. 6 is a rear view thereof; and,
FIG. 7 is a bottom view thereof.

1 Claim, 4 Drawing Sheets

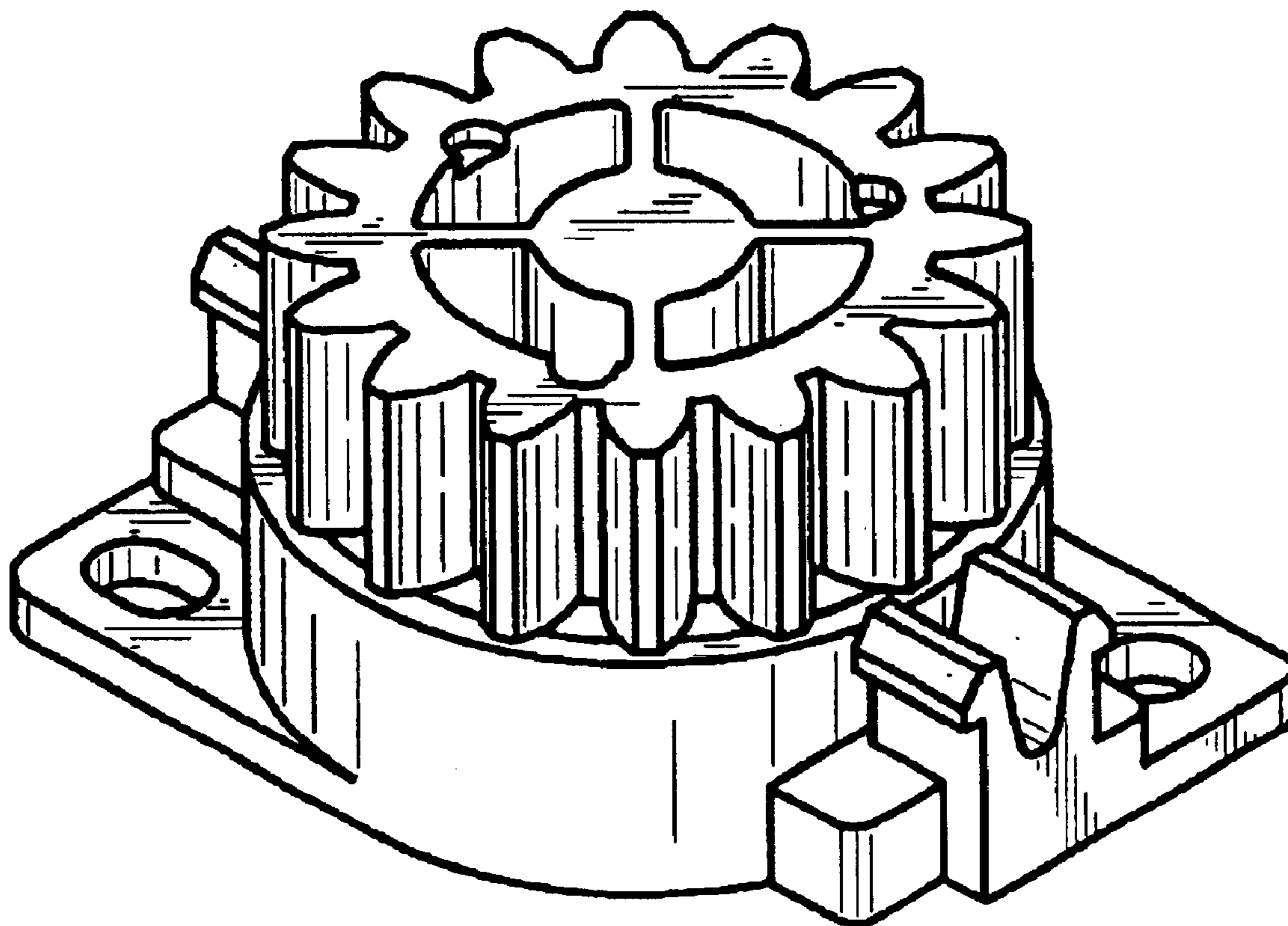


FIG. 1

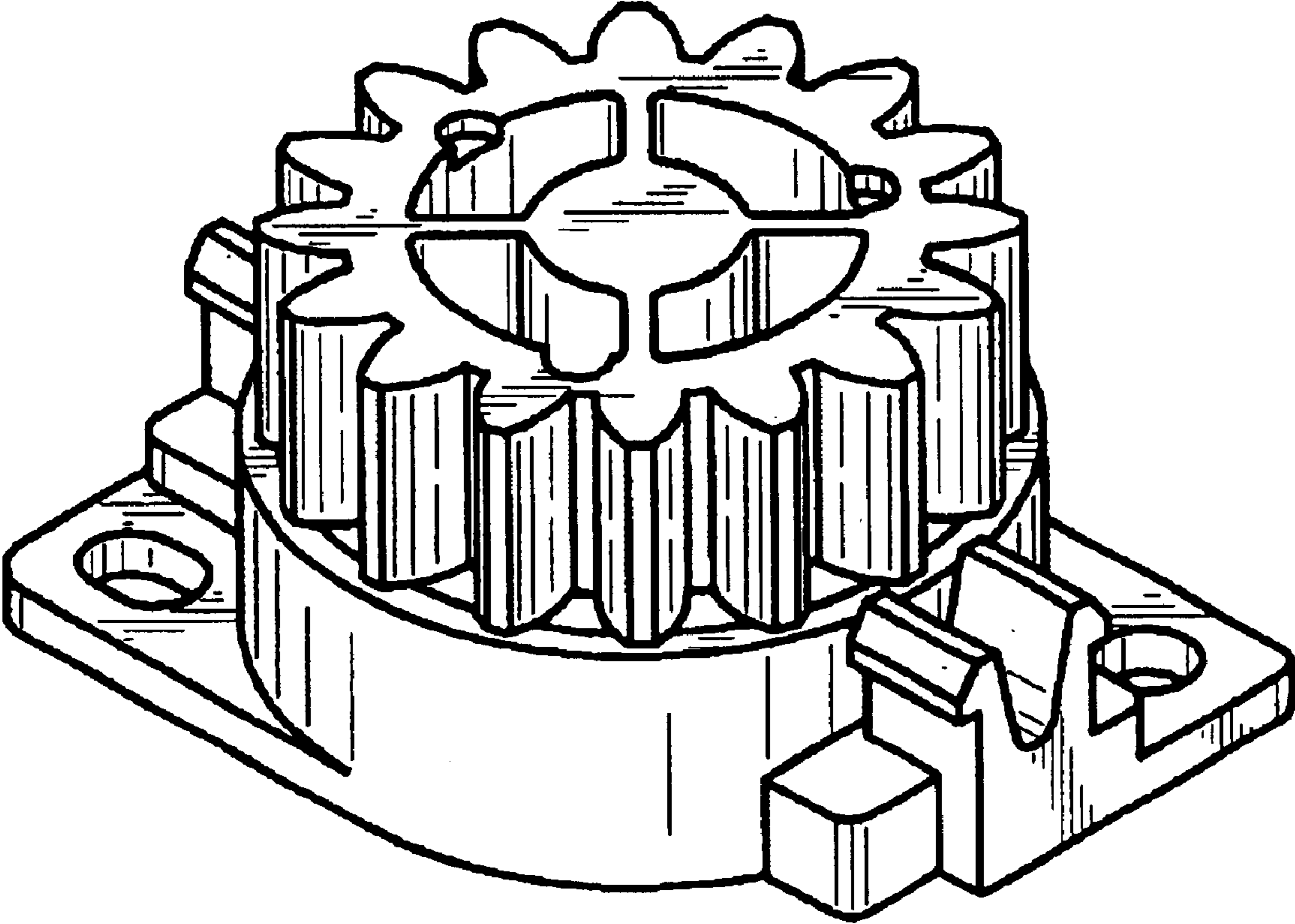


FIG. 2

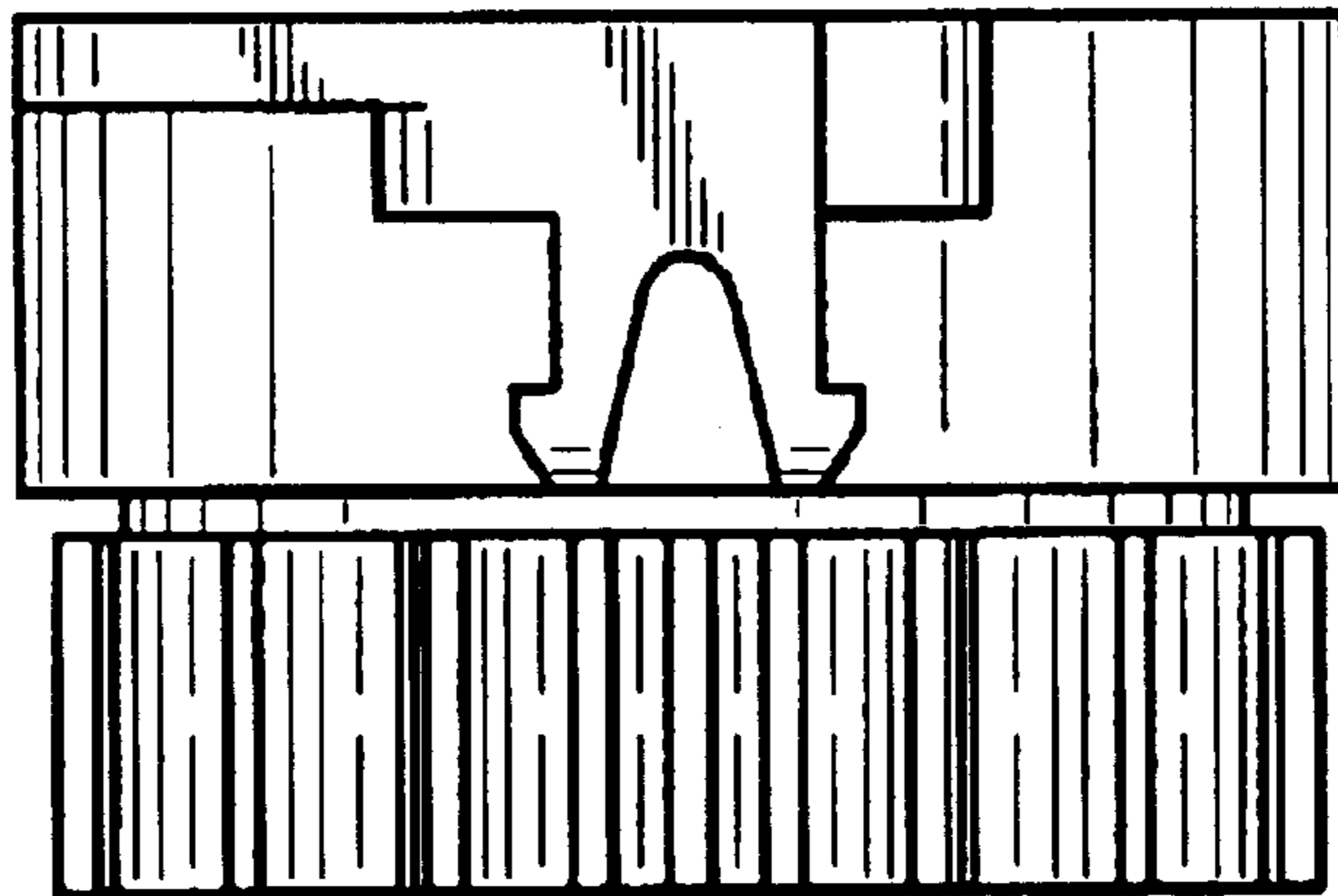


FIG. 3

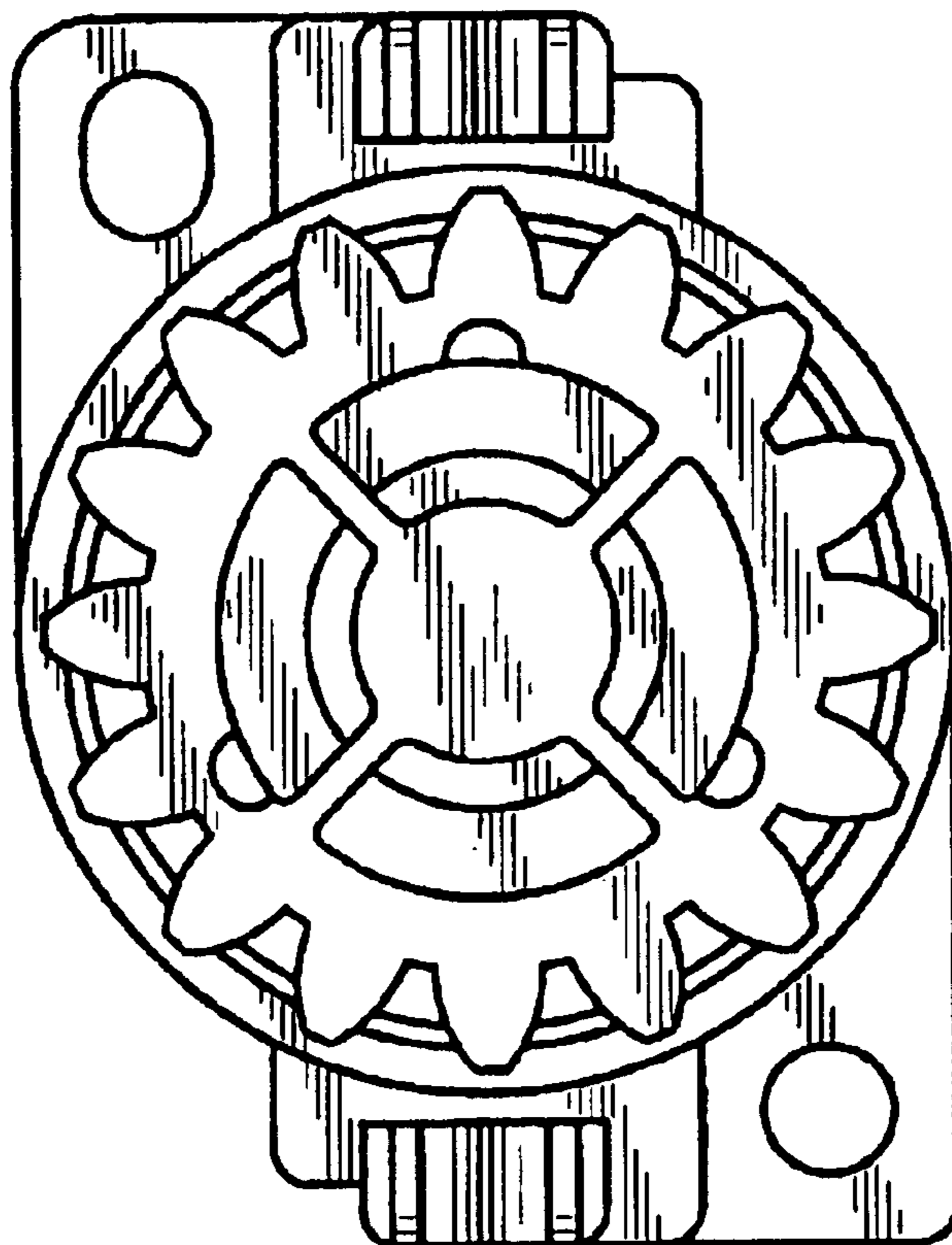


FIG. 4

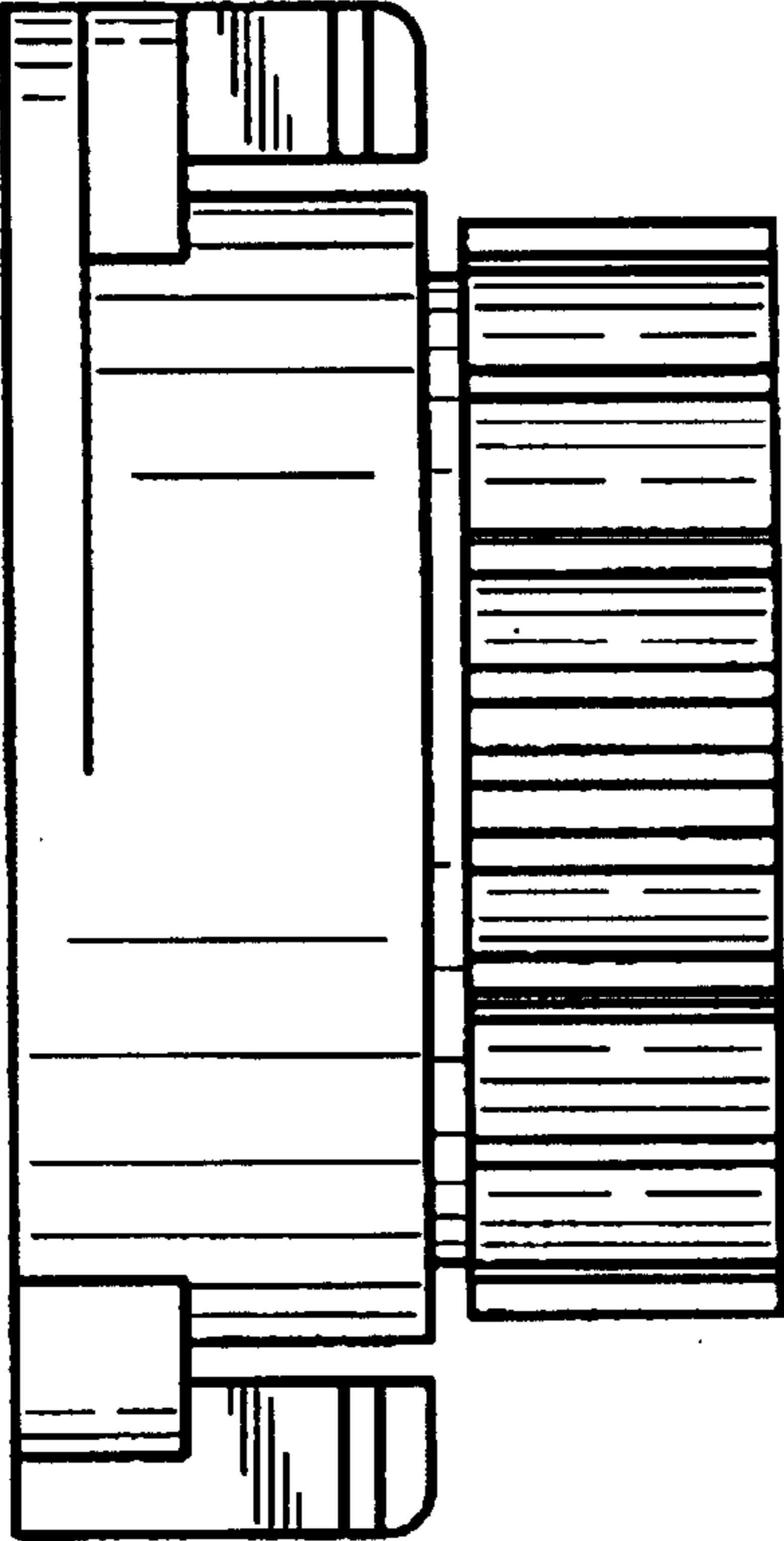


FIG. 5

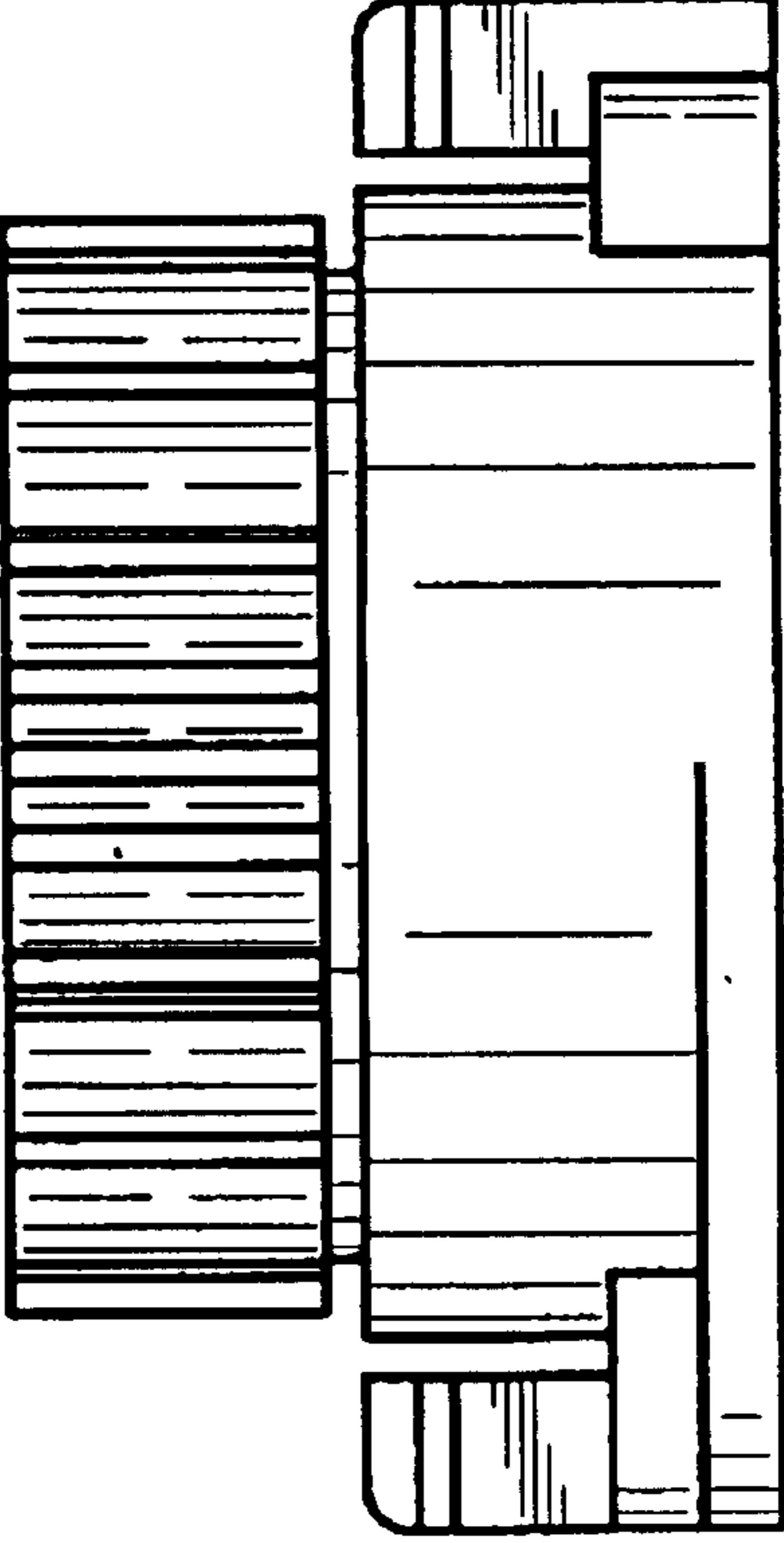


FIG. 6

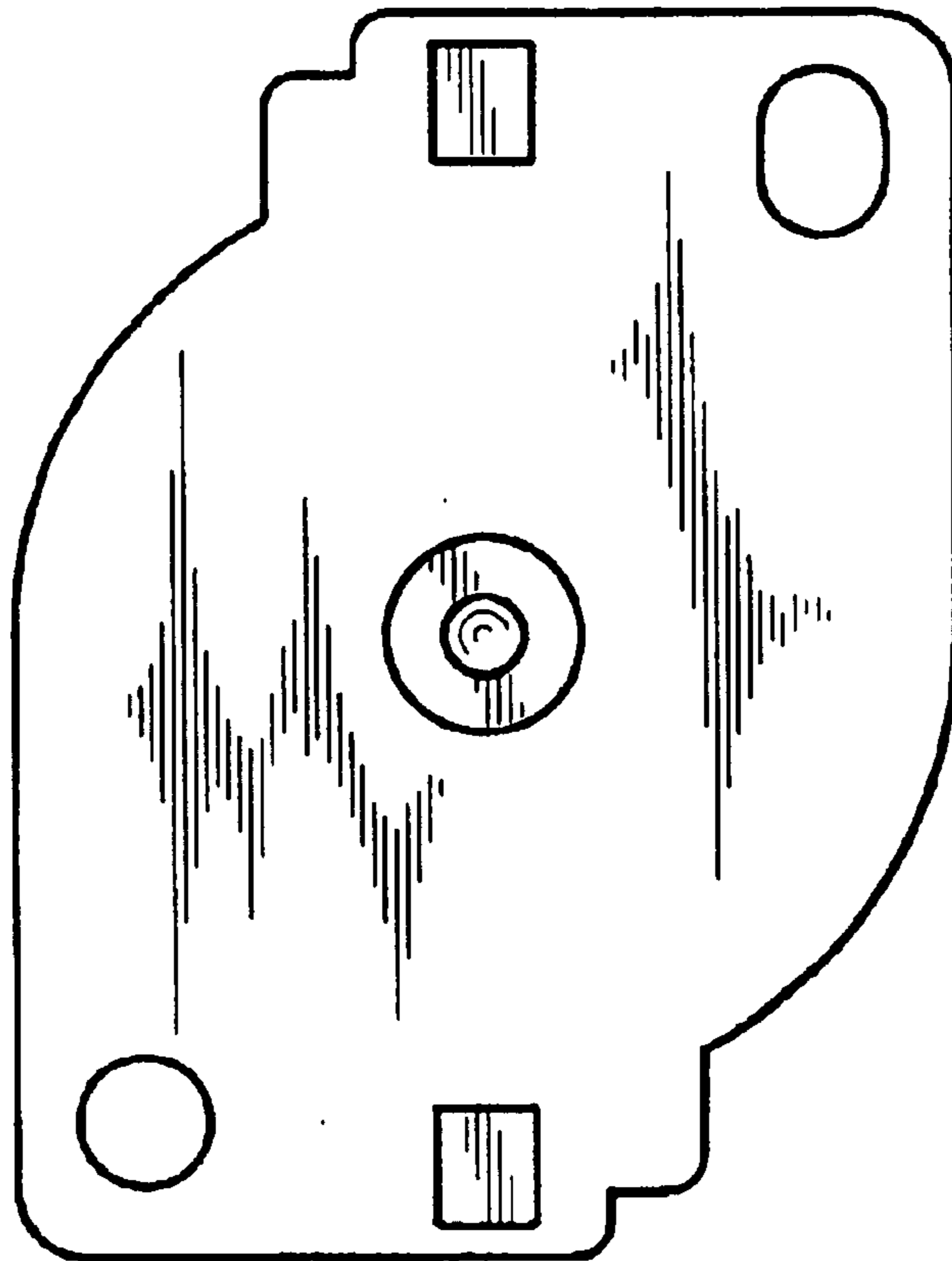


FIG. 7

