

US00D494595S1

(12) **United States Design Patent**  
**Lin et al.**

(10) **Patent No.:** **US D494,595 S**

(45) **Date of Patent:** **\*\* Aug. 17, 2004**

(54) **HOLDER**

(75) Inventors: **Chia-Chuan Lin**, Taipei (TW);  
**Yung-Chuan Ma**, Taipei (TW);  
**Chien-Jui Wang**, Taipei (TW)

(73) Assignee: **Benq Corporation**, Taoyuan (TW)

(\*\*) Term: **14 Years**

(21) Appl. No.: **29/187,200**

(22) Filed: **Jul. 28, 2003**

(30) **Foreign Application Priority Data**

Jun. 10, 2003 (TW) ..... 92303561

(51) **LOC (7) Cl.** ..... **14-02**

(52) **U.S. Cl.** ..... **D14/451; D14/447**

(58) **Field of Search** ..... D14/432, 447,  
D14/451, 452, 434; 248/175, 346.01, 917-924,  
346.06, 346.02, 278.1; D13/184, 199; 361/679-685

(56) **References Cited**

**U.S. PATENT DOCUMENTS**

D276,612 S \* 12/1984 McVicker et al. .... D14/451  
D447,749 S \* 9/2001 Deuschle ..... D14/447  
D462,359 S \* 9/2002 Scharer et al. .... D14/452

D478,088 S \* 8/2003 Hamouz ..... D14/451  
D486,492 S \* 2/2004 Sheu et al. .... D14/434  
2002/0020789 A1 \* 2/2002 Li ..... 248/175

\* cited by examiner

*Primary Examiner*—Kay H. Chin

(74) *Attorney, Agent, or Firm*—Quintero Law Office

(57) **CLAIM**

The ornamental design for a holder, as shown and described.

**DESCRIPTION**

FIG. 1 is a top perspective view of a holder showing our new design;

FIG. 2 is a front elevational view thereof;

FIG. 3 is a rear elevational view thereof;

FIG. 4 is a left side elevational view thereof;

FIG. 5 is a right side elevational view thereof;

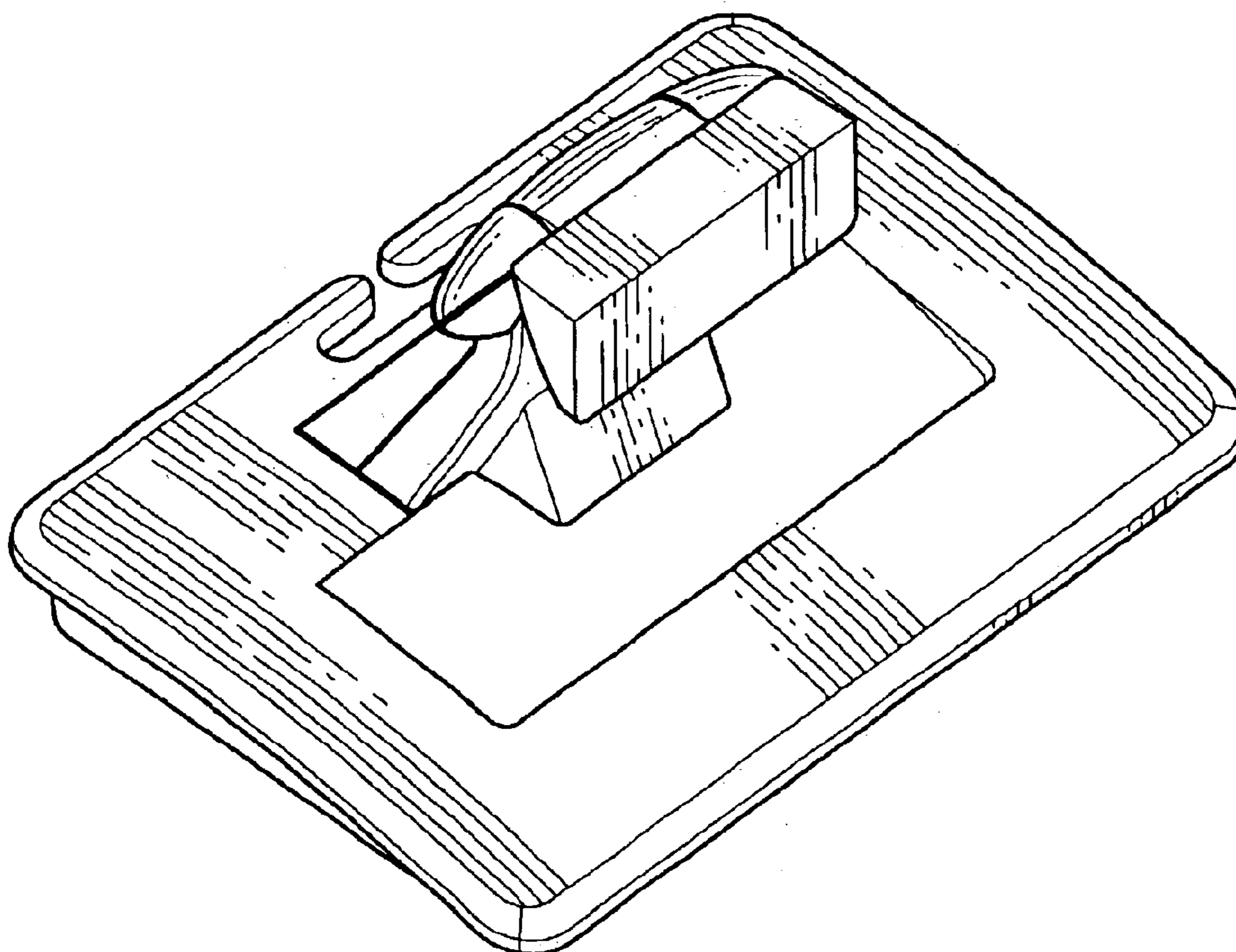
FIG. 6 is a top plan view thereof;

FIG. 7 is a bottom plan view thereof;

FIG. 8 is a front perspective view thereof showing the design conforming to a monitor in broken lines, the broken line illustration of the monitor is illustrative purposes only and forms no part of the claimed design; and,

FIG. 9 is a rear perspective view of FIG. 8.

**1 Claim, 9 Drawing Sheets**



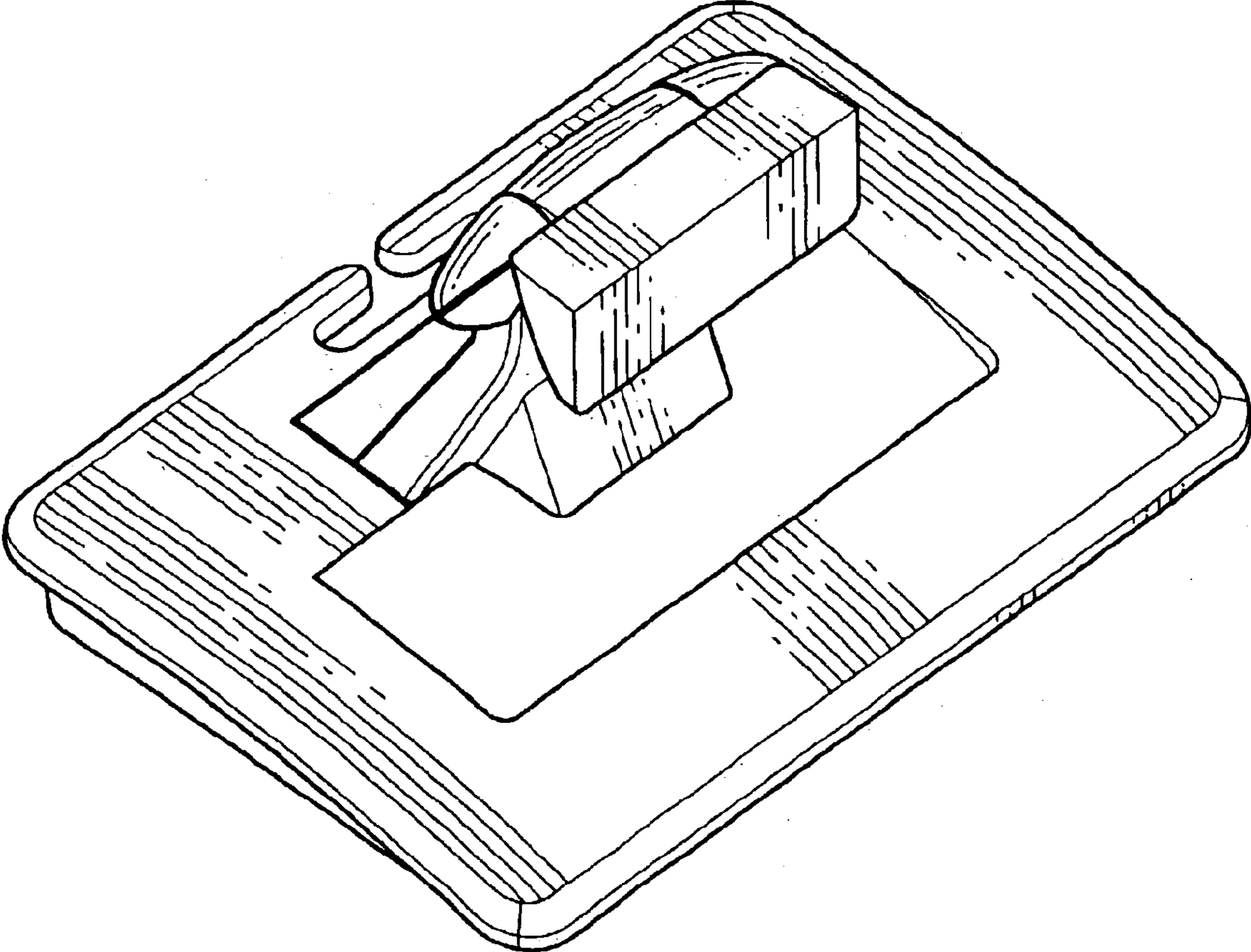


FIG. 1

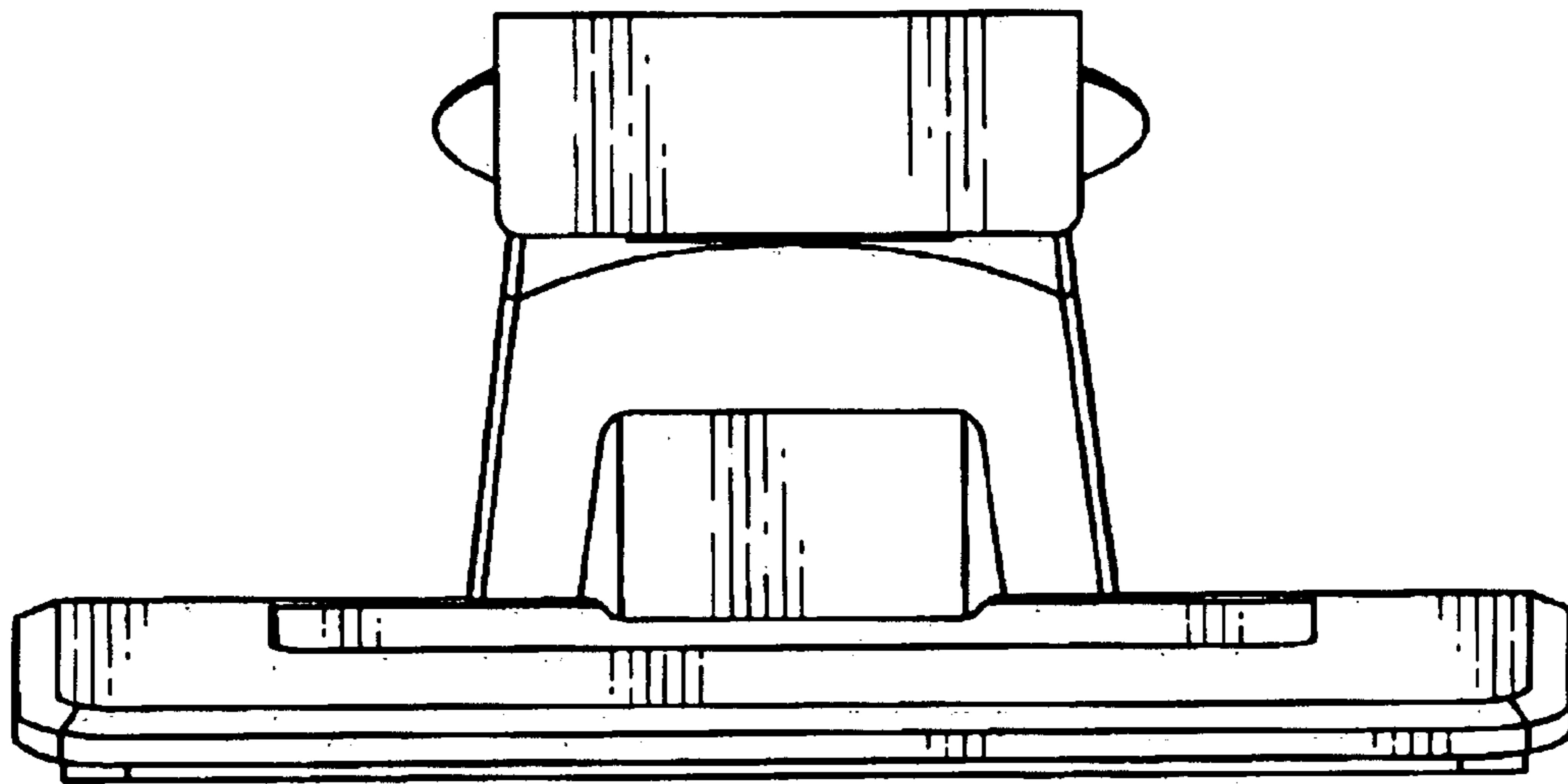


FIG. 2

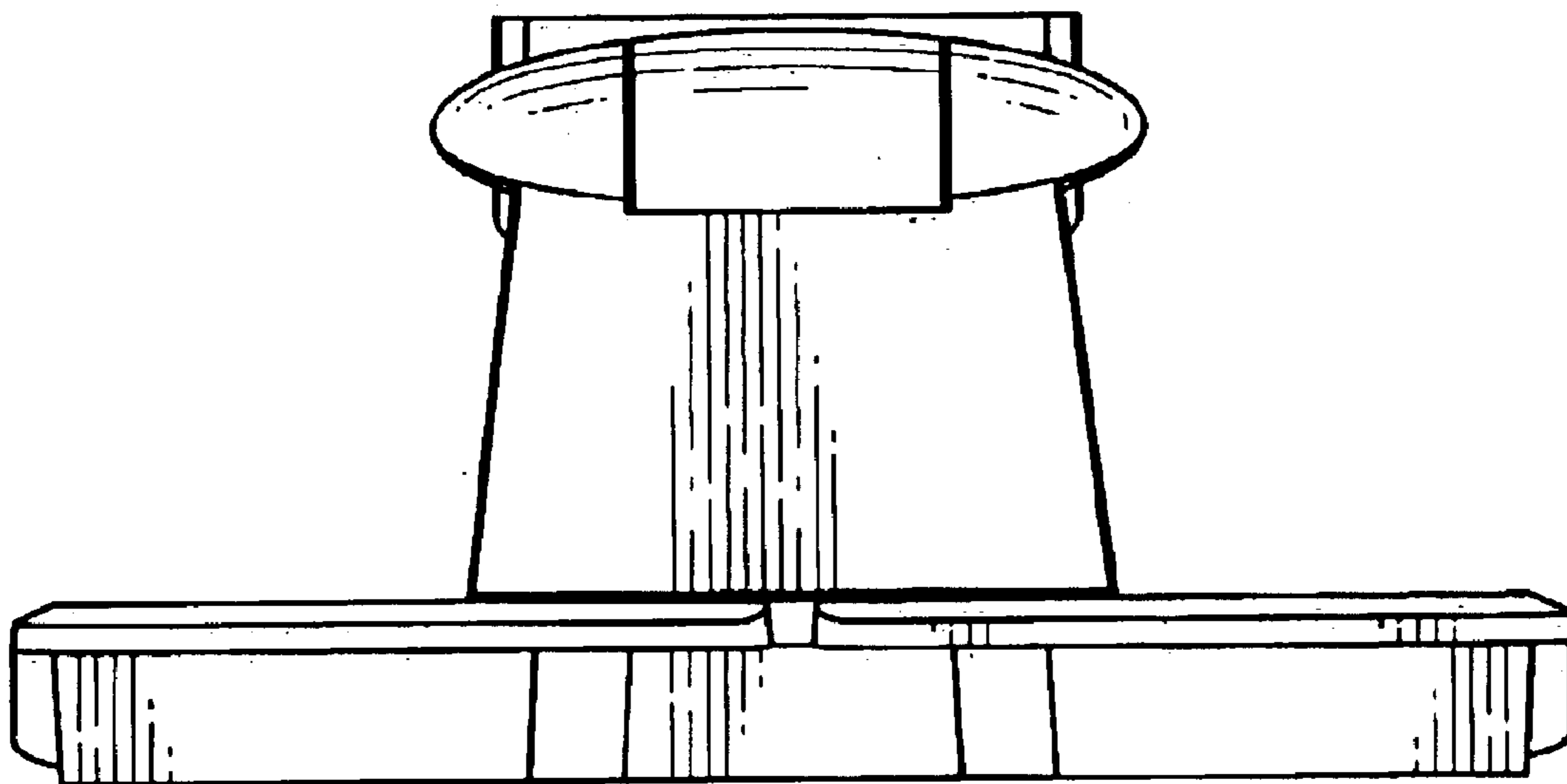


FIG. 3

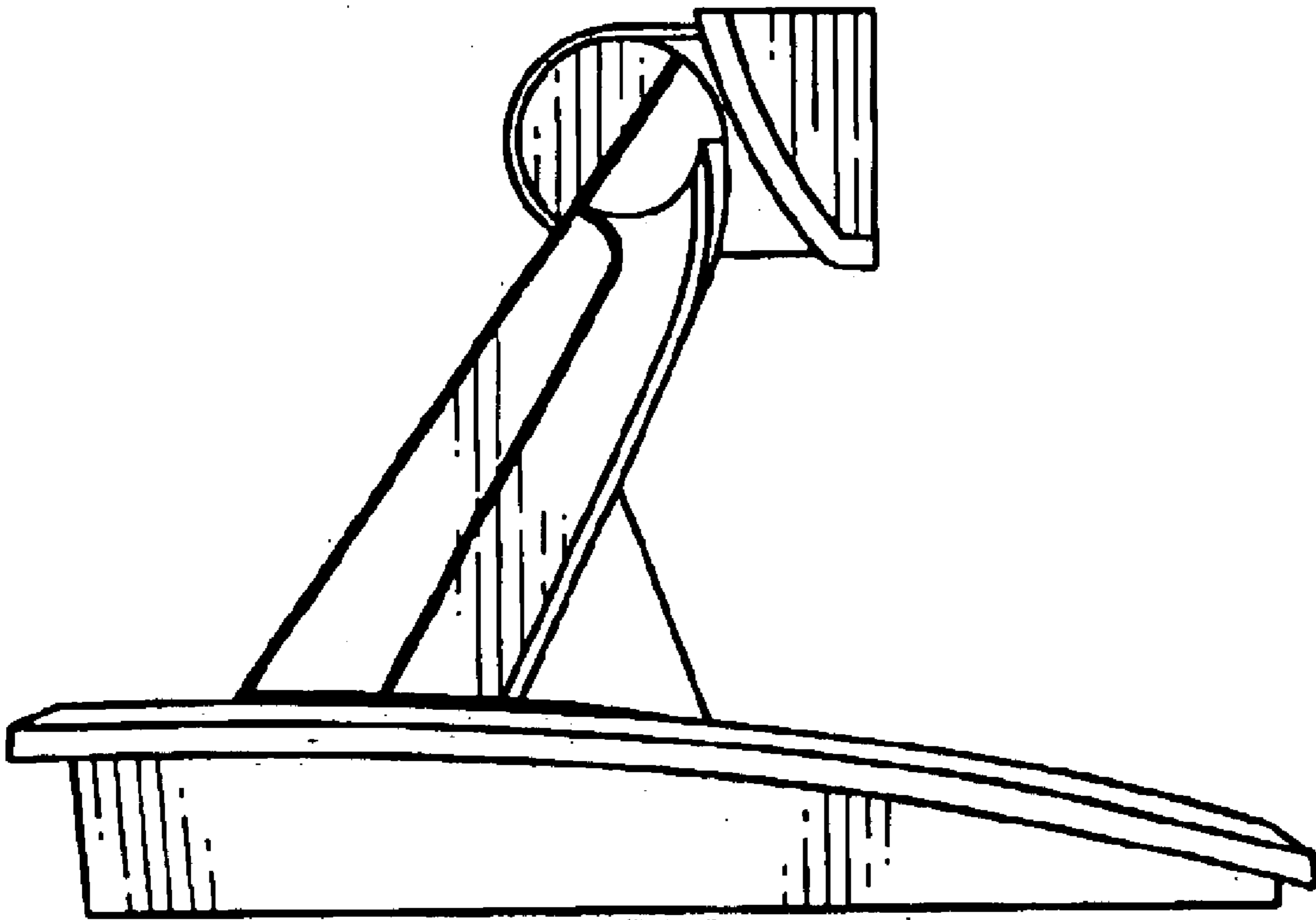


FIG. 4

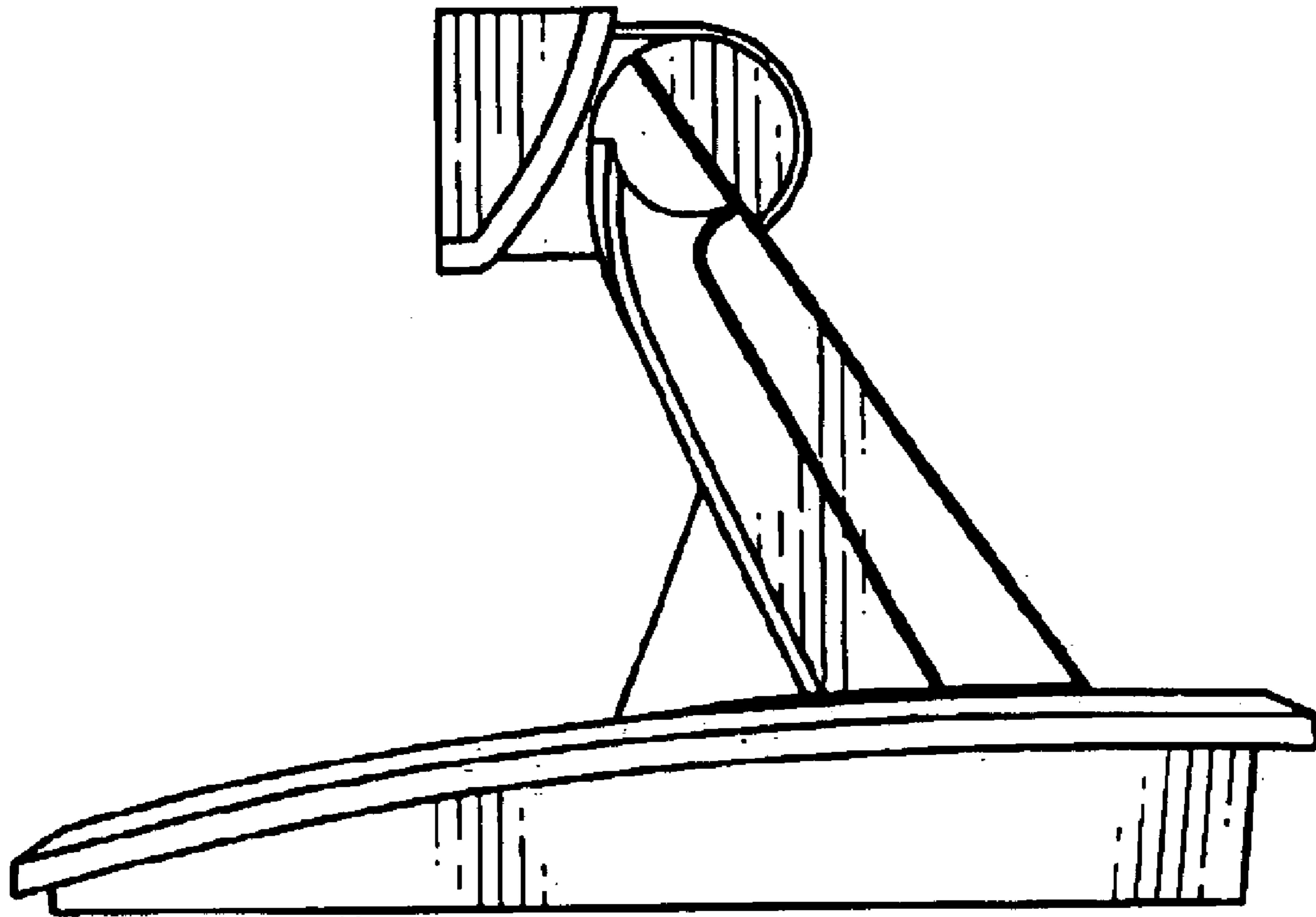


FIG. 5

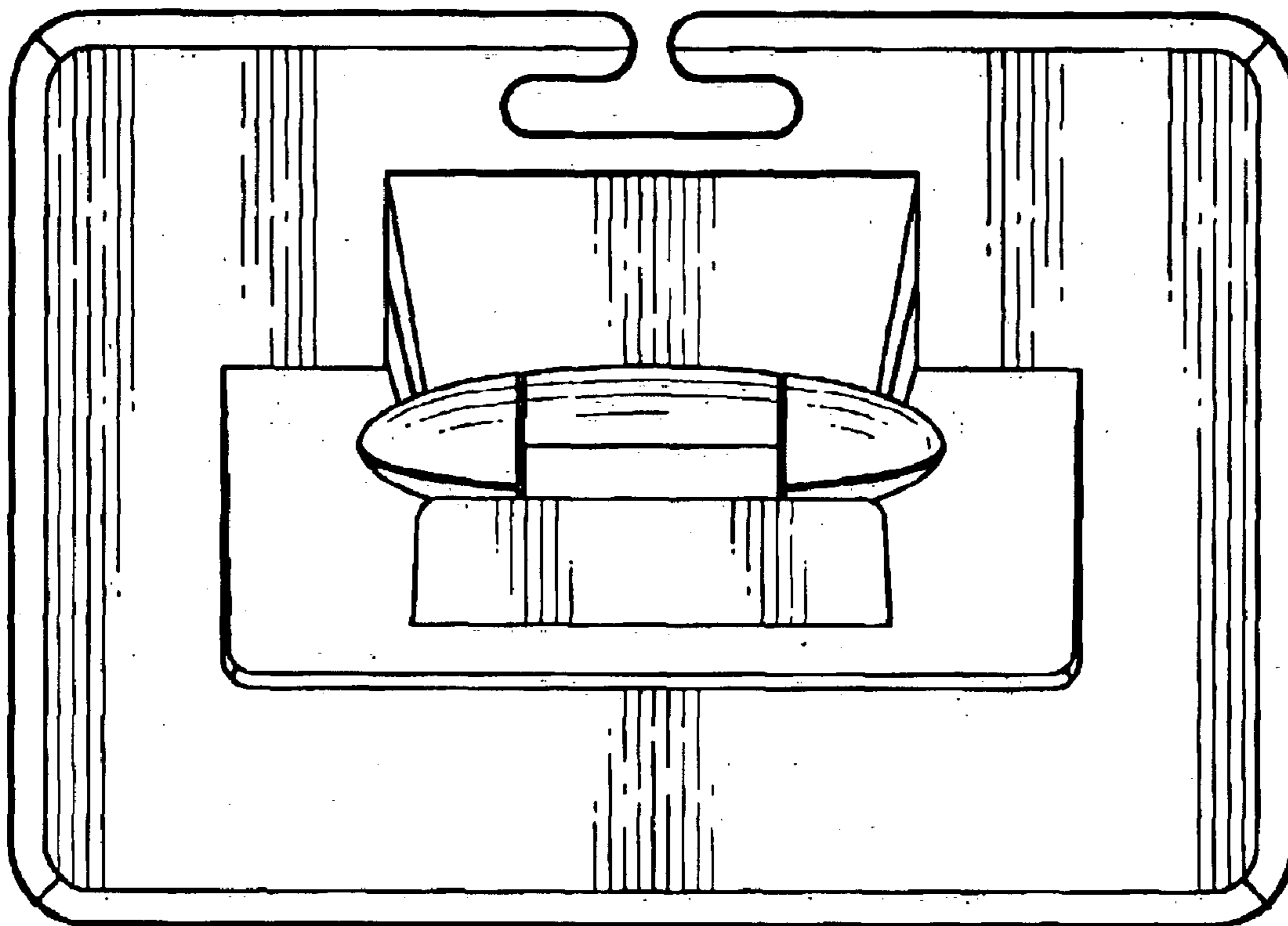


FIG. 6

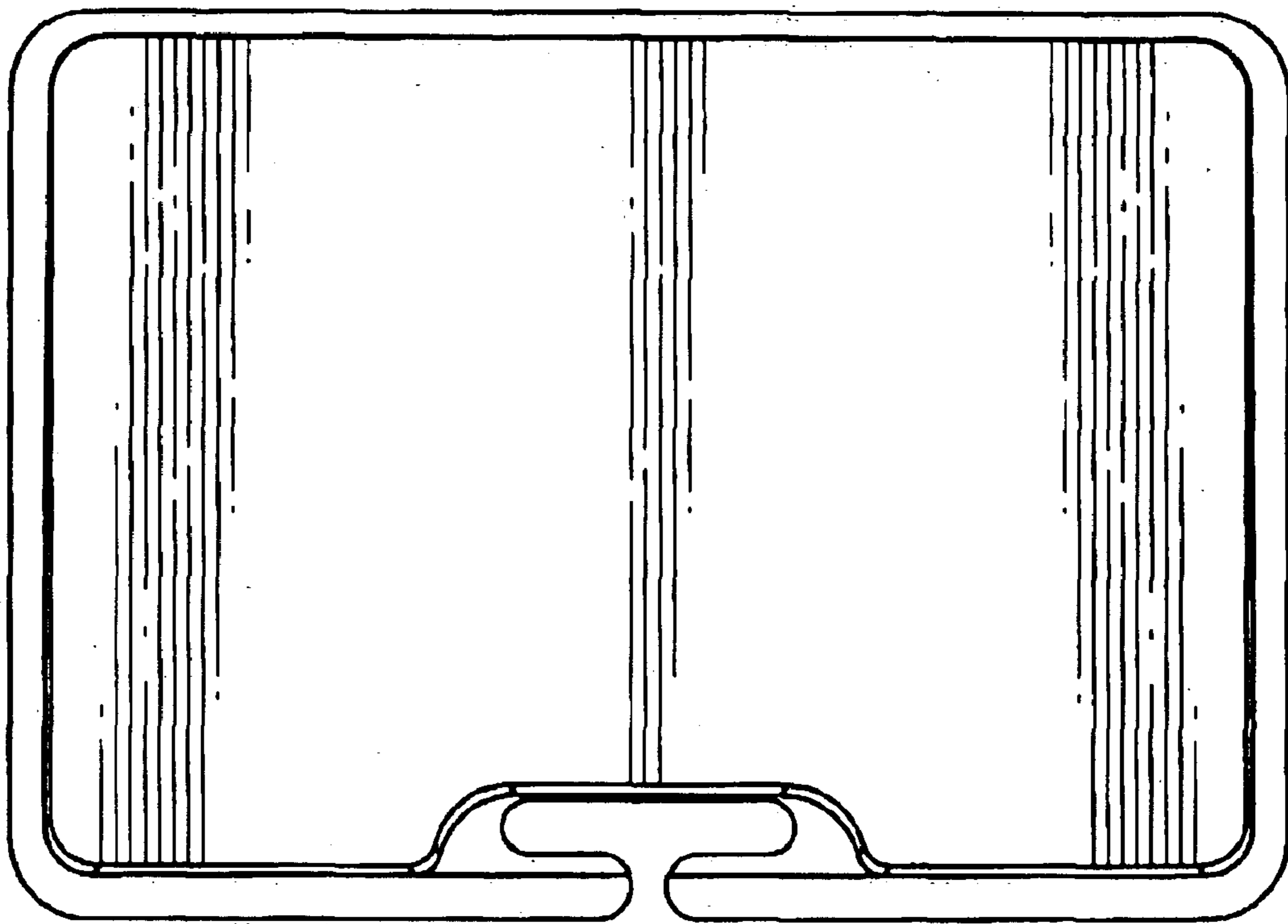


FIG. 7



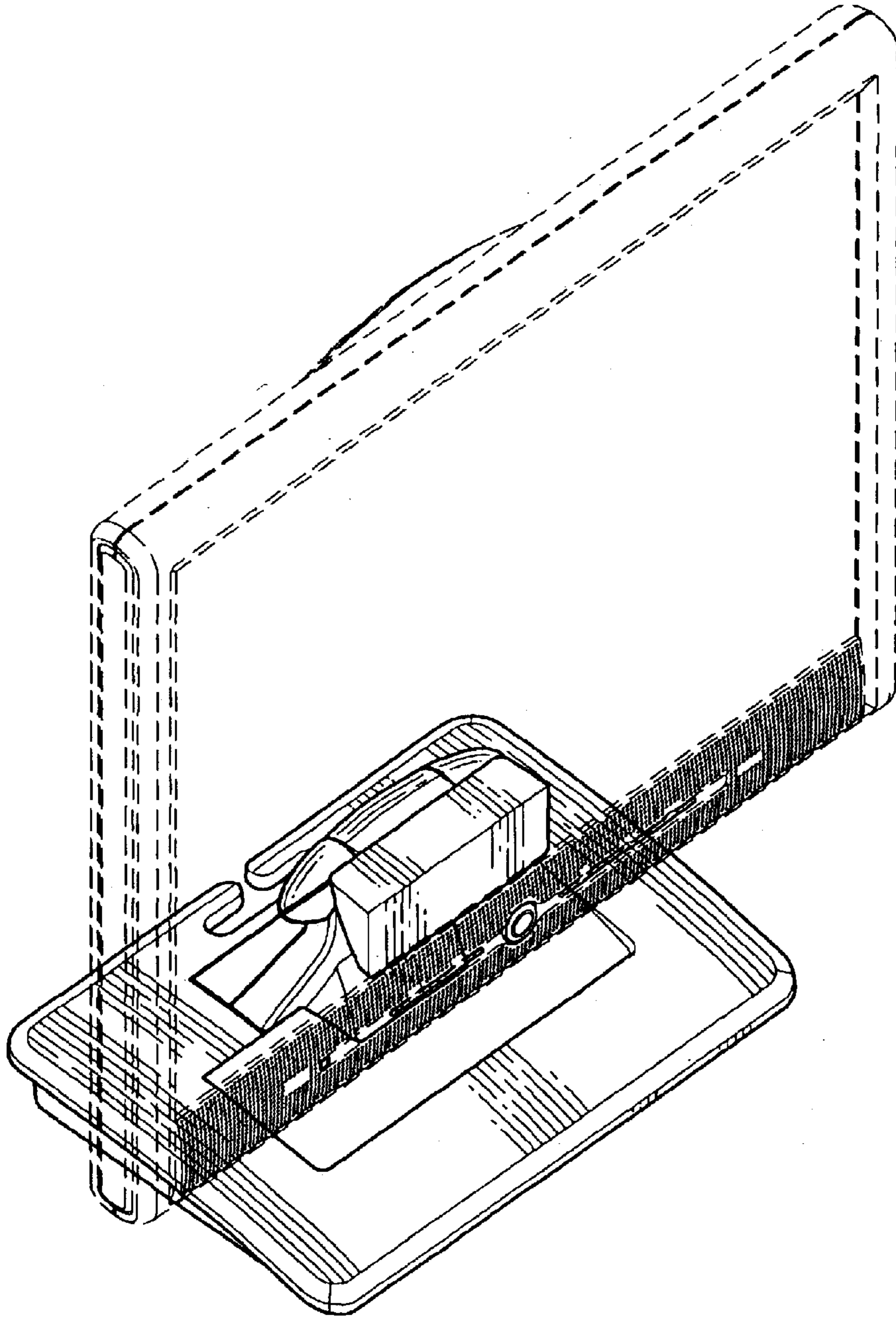


FIG. 8

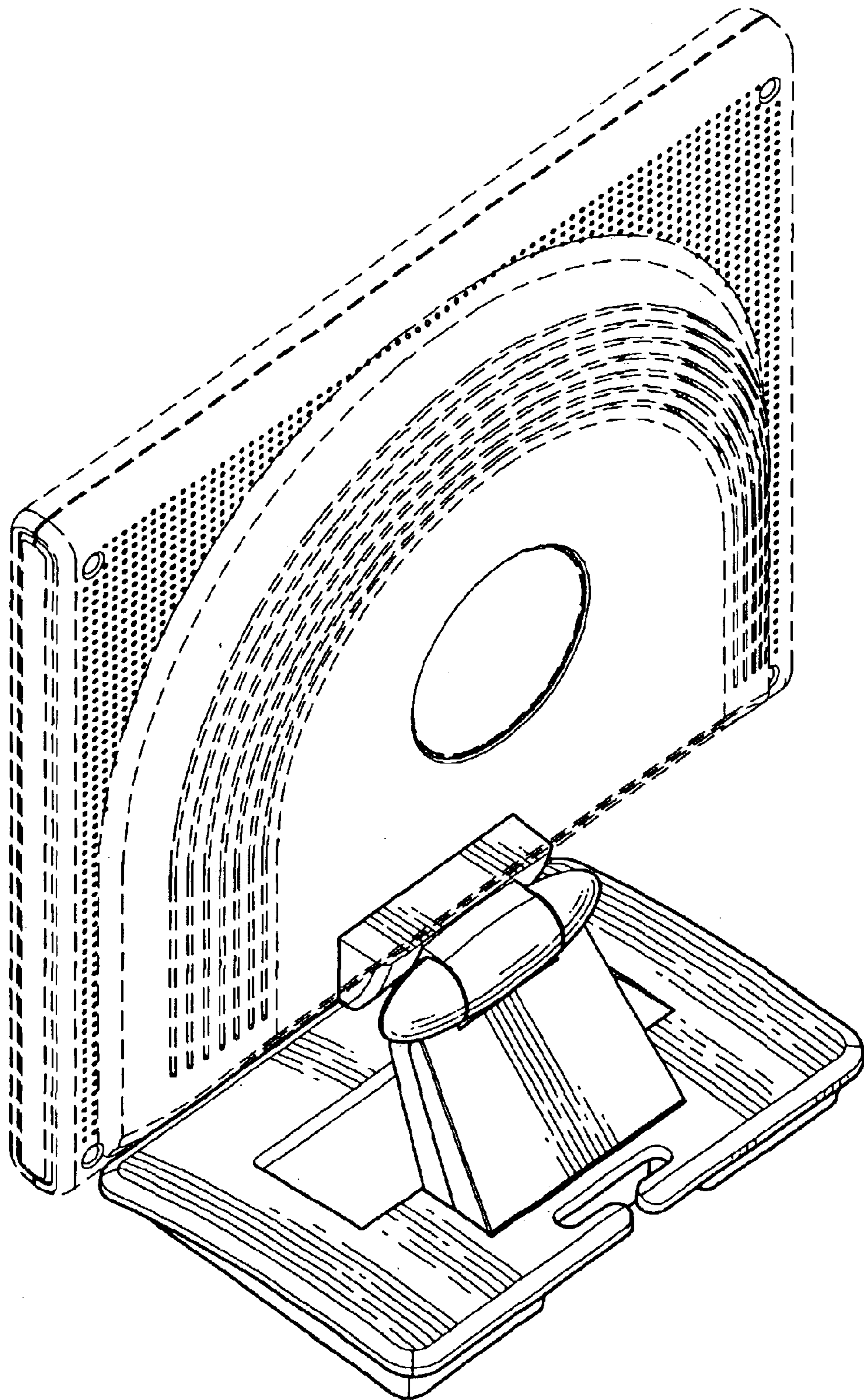


FIG. 9