



US00D494593S1

(12) **United States Design Patent** (10) **Patent No.:** **US D494,593 S**
Wulff et al. (45) **Date of Patent:** **** Aug. 17, 2004**

(54) **MOBILE TERMINAL HOUSING**

(75) Inventors: **Thomas Wulff**, North Patchogue, NY (US); **Curt Croley**, Stony Brook, NY (US); **Jaeho Choi**, Whitestone, NY (US)

(73) Assignee: **Symbol Technologies, Inc.**, Holtsville, NY (US)

(**) Term: **14 Years**

(21) Appl. No.: **29/186,040**

(22) Filed: **Jul. 8, 2003**

(51) **LOC (7) Cl.** **14-02**

(52) **U.S. Cl.** **D14/429; D14/347**

(58) **Field of Search** D14/420, 425, D14/426, 428, 429, 453, 341, 346, 347; 235/462.01, 462.43, 462.45, 462.46, 462.47, 472.01, 472.02, 472.03, 454; 358/473-498, 505-514; 361/680, 383

(56) **References Cited**

U.S. PATENT DOCUMENTS

D334,922 S	*	4/1993	Meyerson et al.	D14/429
5,648,757 A	*	7/1997	Vernace et al.	340/539.32
D386,152 S	*	11/1997	Warneke	D14/347
5,736,726 A	*	4/1998	VanHorn et al.	235/472.02
5,811,784 A	*	9/1998	Tausch et al.	235/472.01
5,818,027 A	*	10/1998	Paratore	235/472.01
5,831,819 A	*	11/1998	Chacon et al.	361/683
D414,470 S	*	9/1999	Chacon et al.	D14/341

6,031,524 A	*	2/2000	Kunert	345/173
D424,035 S	*	5/2000	Steiner et al.	D14/439
D428,883 S	*	8/2000	Mizusugi et al.	D14/346
6,109,528 A	*	8/2000	Kunert et al.	235/472.01
D439,898 S	*	4/2001	Ober et al.	D14/347
D447,141 S	*	8/2001	Itoh et al.	D14/385
D467,918 S	*	12/2002	Fitch et al.	D14/347
D477,598 S	*	7/2003	Mathiowetz et al.	D14/347
6,616,111 B1	*	9/2003	White	248/309.1
2003/0222149 A1	*	12/2003	Solomon et al.	235/472.01

* cited by examiner

Primary Examiner—Joel Sincavage

(74) *Attorney, Agent, or Firm*—Amin & Turocy, LLP

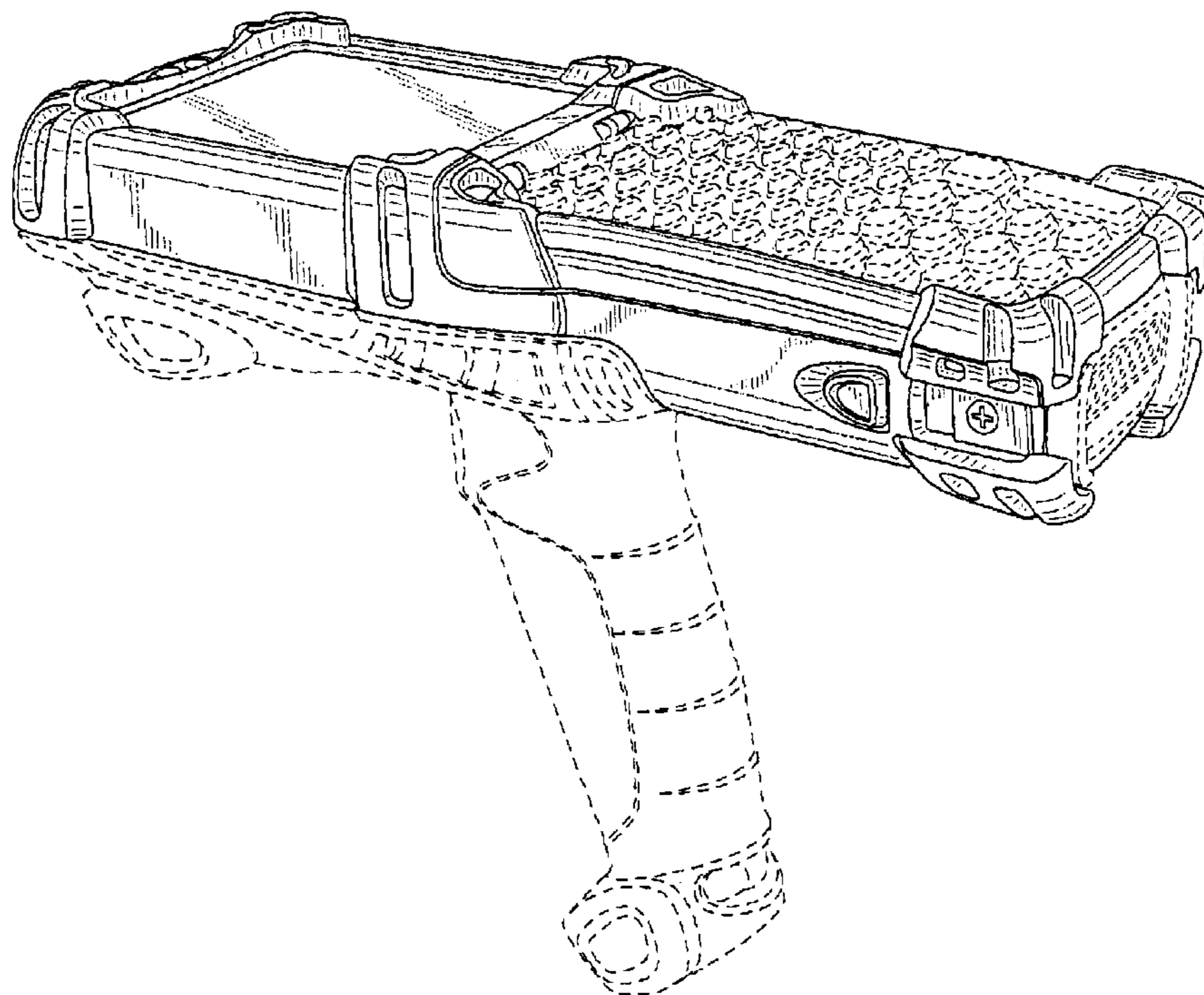
(57) **CLAIM**

The ornamental design for a mobile terminal housing, as shown and described.

DESCRIPTION

FIG. 1 is perspective view of the top, front, and right side of a mobile terminal housing showing our new design;
 FIG. 2 is perspective view of the top, back, and right side thereof;
 FIG. 3 is a front view thereof;
 FIG. 4 is a back view thereof;
 FIG. 5 is a right side view thereof, the left side view being a mirror image;
 FIG. 6 is a top view thereof; and,
 FIG. 7 is a bottom view thereof.
 The broken lines shown in FIGS. 1-7 are for illustrative purposes only and form no part of the claimed design.

1 Claim, 7 Drawing Sheets



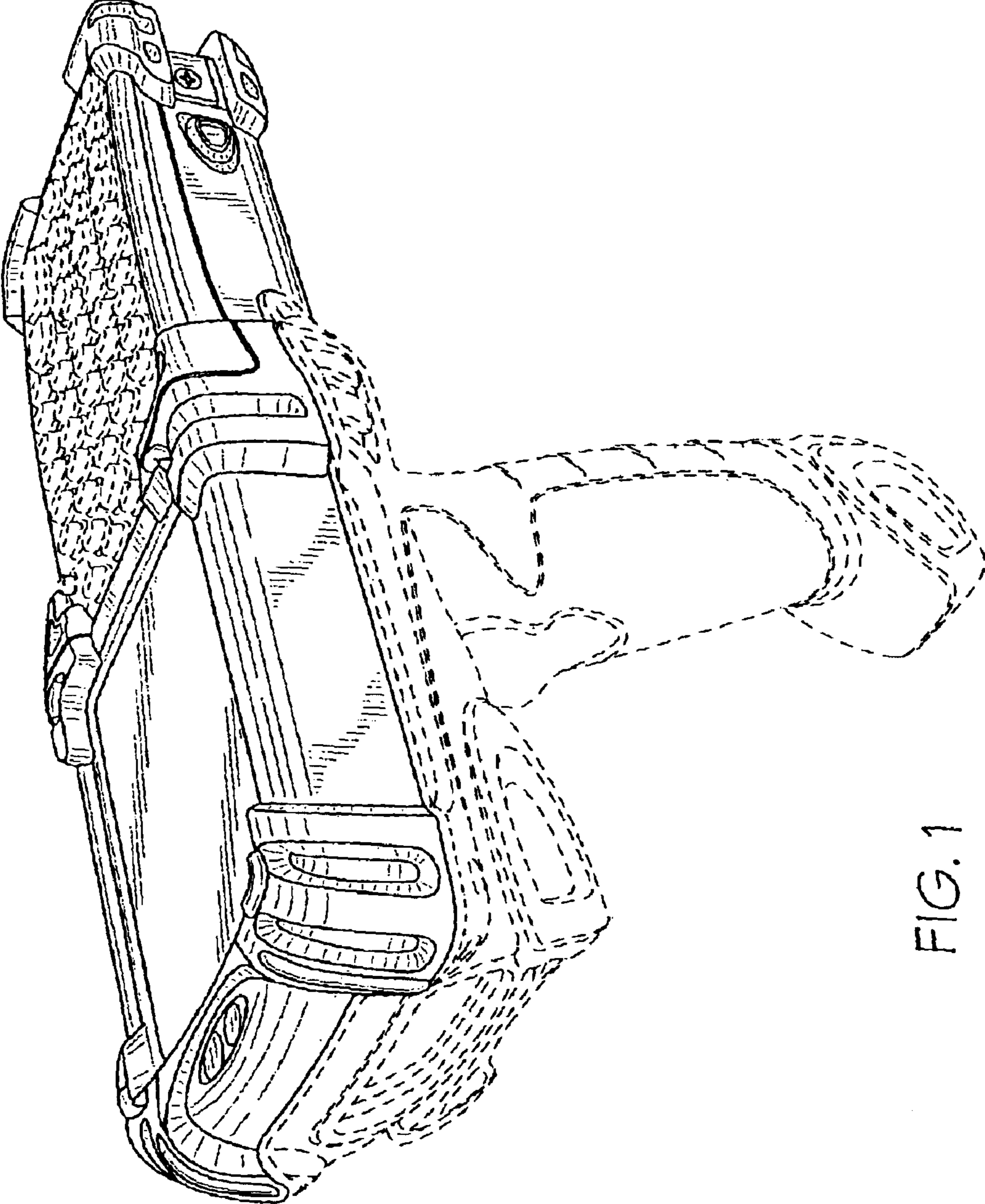


FIG. 1

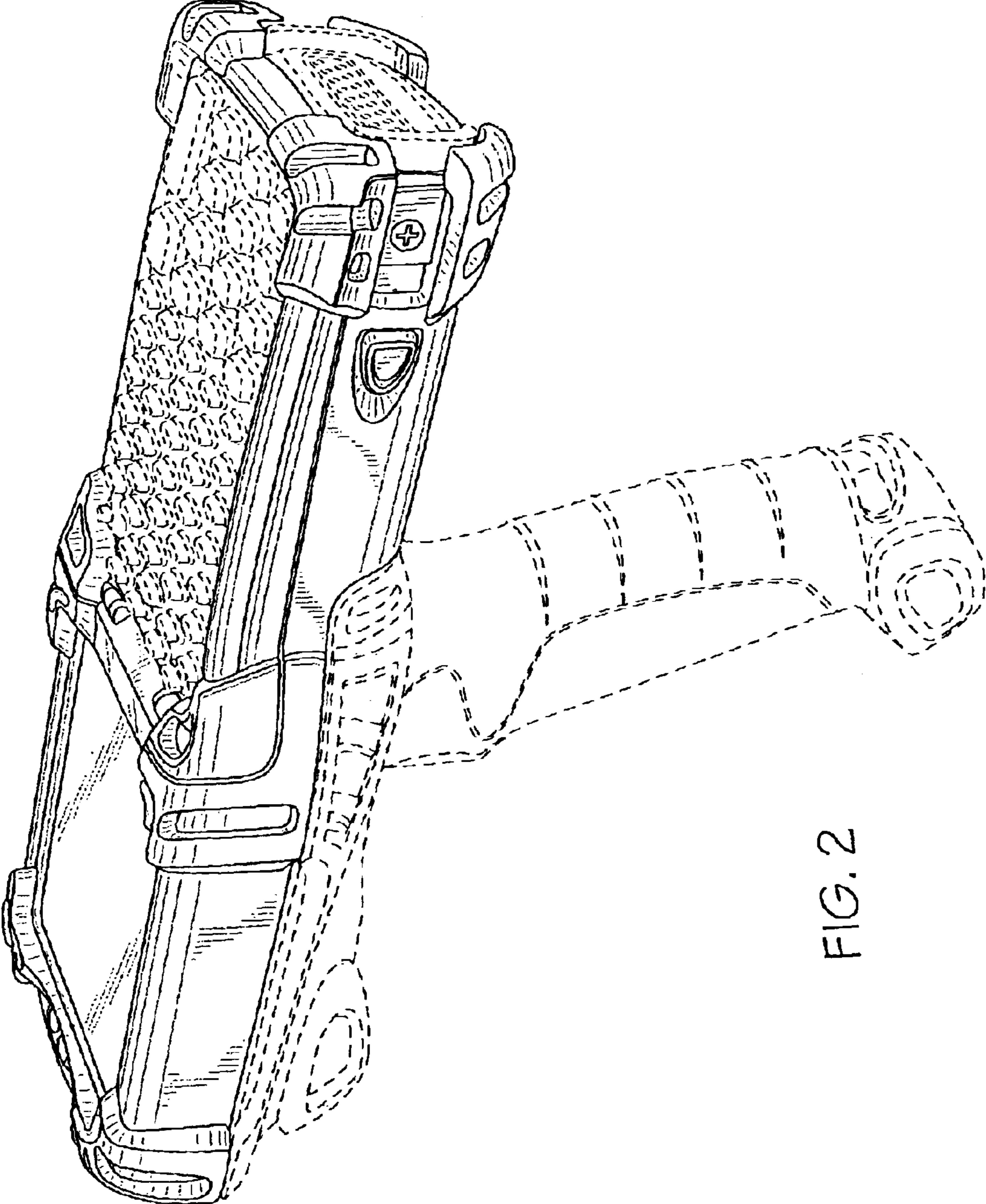


FIG. 2

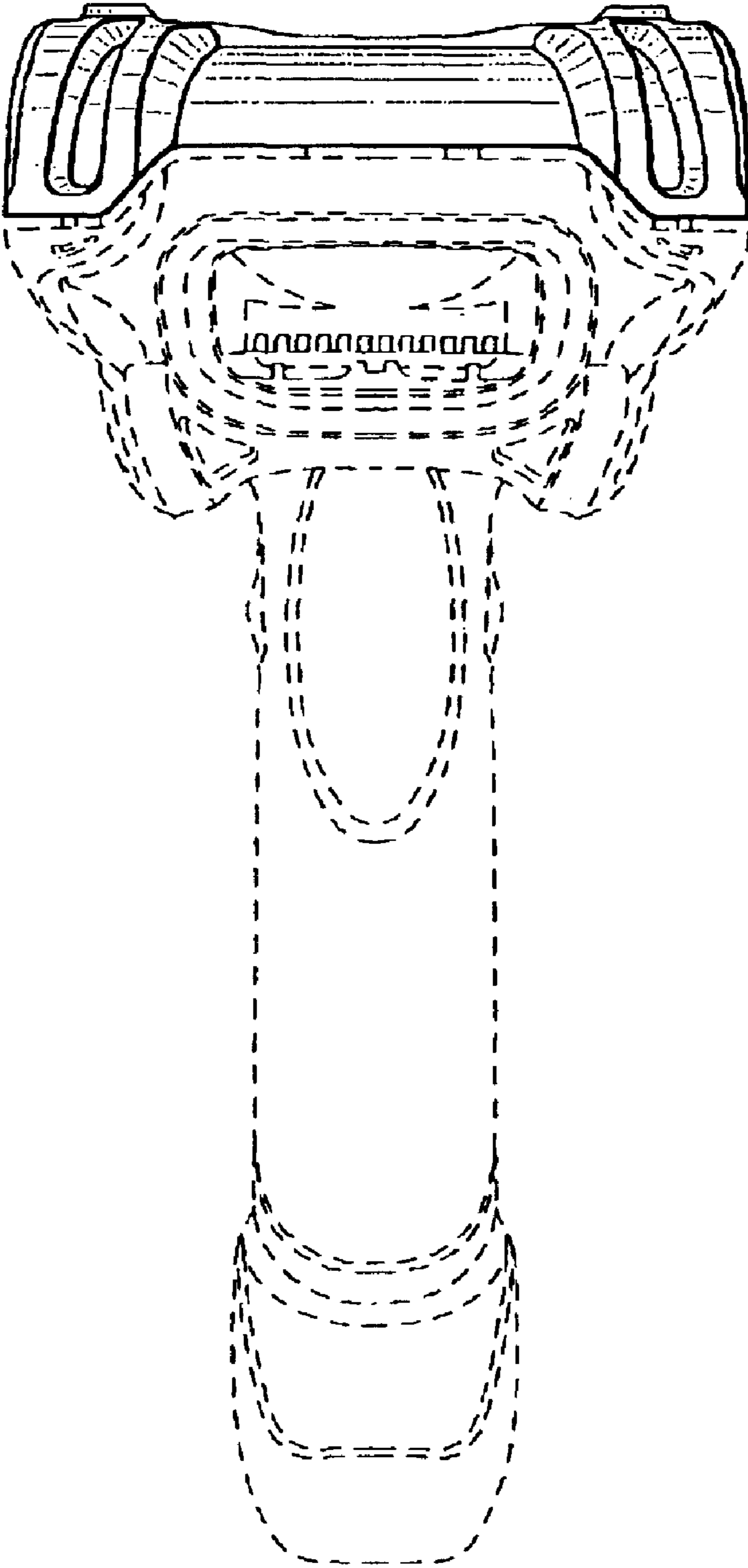


FIG. 3

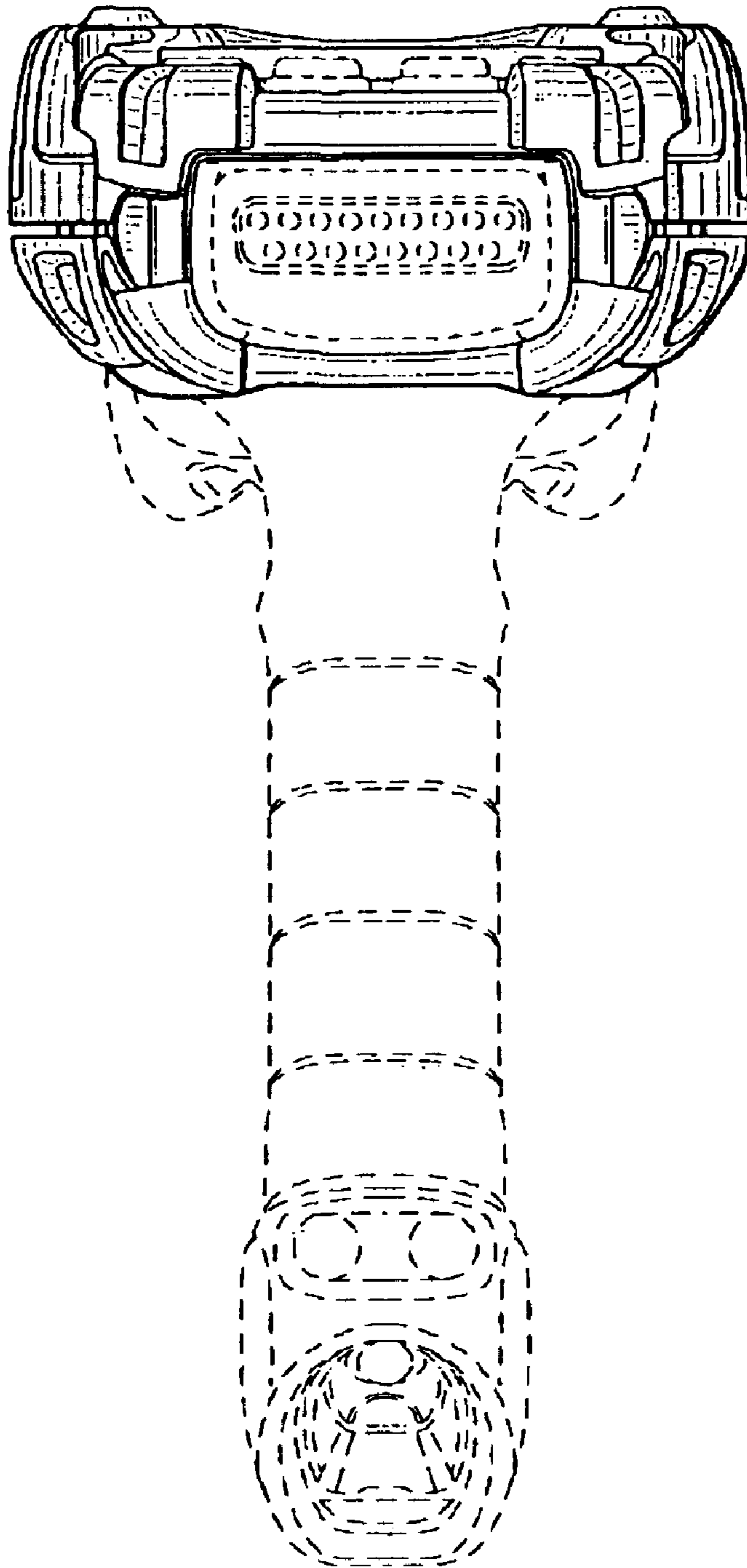


FIG. 4

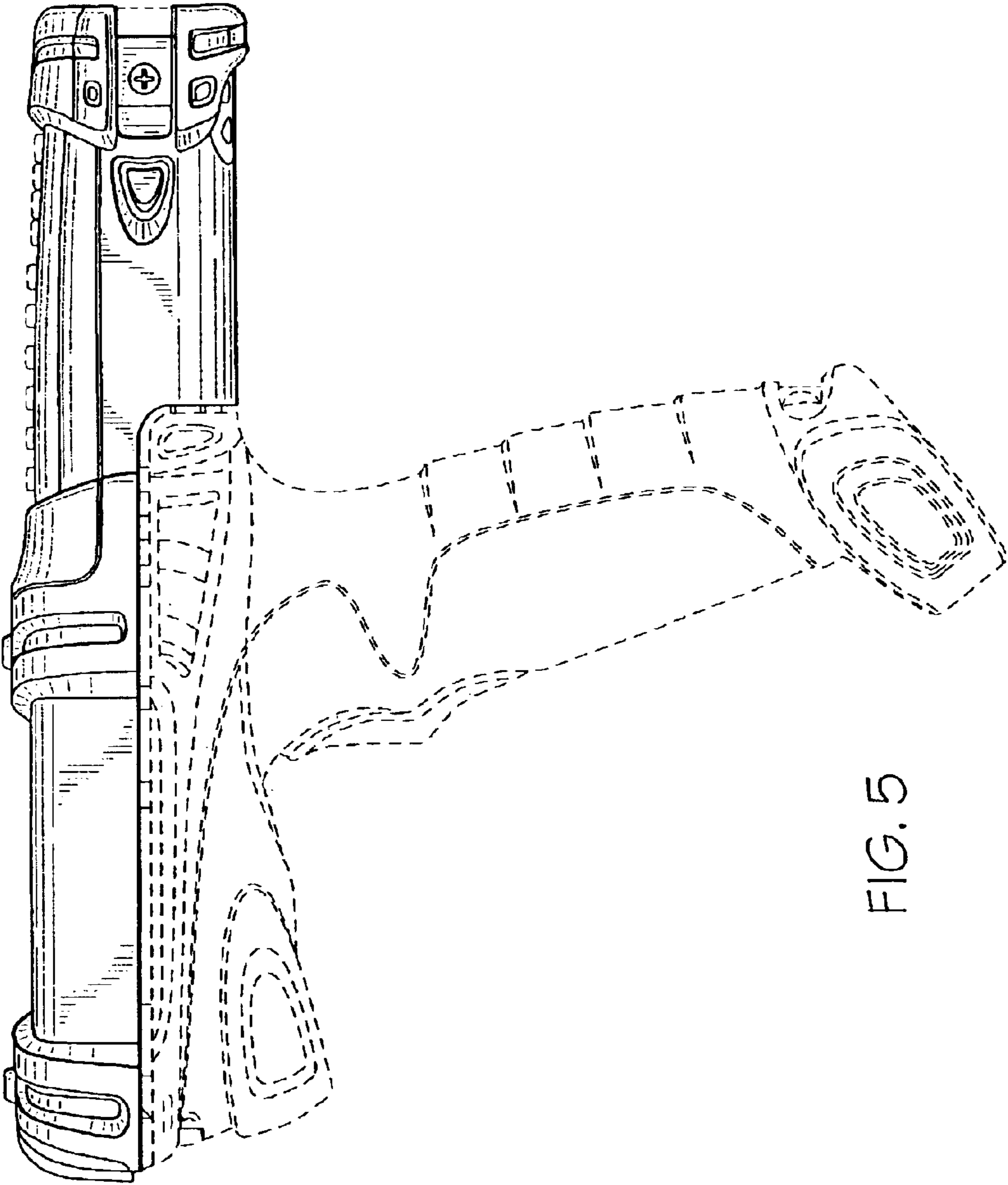


FIG. 5

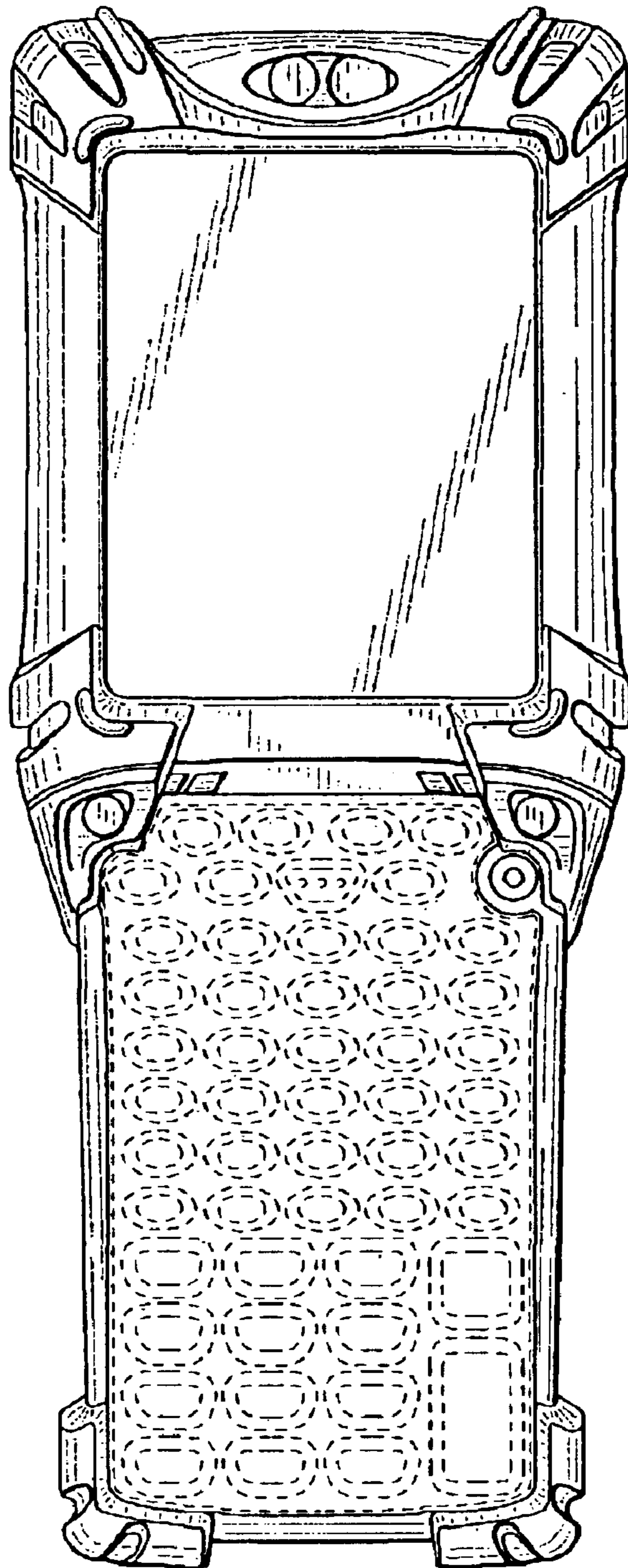


FIG. 6

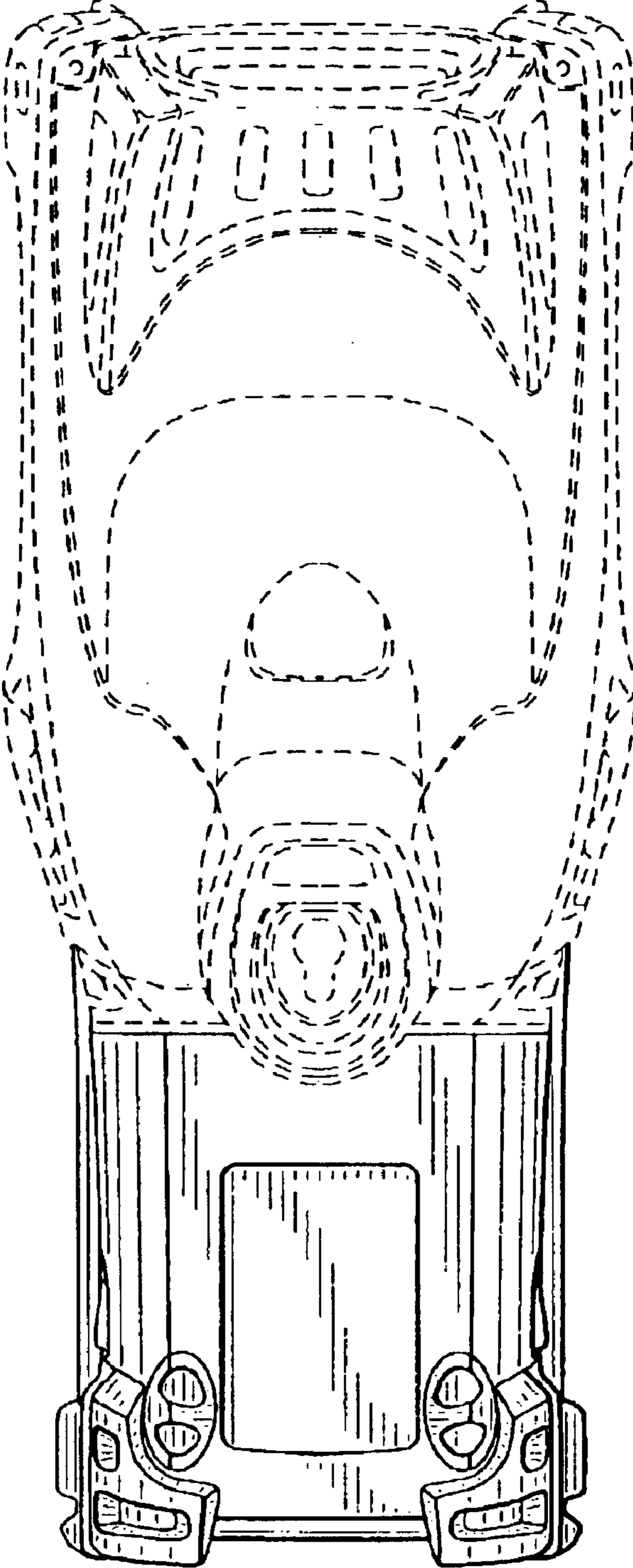


FIG. 7