

US00D494587S1

(12) **United States Design Patent**  
**Kanatani et al.**

(10) **Patent No.:** **US D494,587 S**

(45) **Date of Patent:** **\*\* Aug. 17, 2004**

(54) **ARITHMETIC AND CONTROL UNIT**

(75) **Inventors:** **Masakazu Kanatani, Tokyo (JP);**  
**Hiroshi Yasutomi, Tokyo (JP)**

(73) **Assignee:** **Sony Computer Entertainment Inc.,**  
**Tokyo (JP)**

(\*\*) **Term:** **14 Years**

(21) **Appl. No.:** **29/194,485**

(22) **Filed:** **Nov. 26, 2003**

(30) **Foreign Application Priority Data**

May 27, 2003 (JP) ..... D2003-18788

(51) **LOC (7) Cl.** ..... **14-02**

(52) **U.S. Cl.** ..... **D14/356**

(58) **Field of Search** ..... D14/125, 356,  
D14/368, 496; D13/184

(56) **References Cited**

**U.S. PATENT DOCUMENTS**

- D314,188 S \* 1/1991 Izaki ..... D14/355
- D322,428 S \* 12/1991 Sato et al. .... D14/355
- D331,570 S \* 12/1992 Koiwa ..... D14/354
- D344,267 S \* 2/1994 Ueda et al. .... D14/355
- D387,740 S \* 12/1997 Kondo ..... D14/368
- D407,393 S \* 3/1999 Kazama ..... D14/125
- D412,495 S \* 8/1999 Shibata ..... D14/356

- D436,105 S \* 1/2001 Goto ..... D14/356
- D441,375 S \* 5/2001 Hisatsune et al. .... D14/496
- D445,789 S \* 7/2001 Zmehrir ..... D14/356
- D470,465 S \* 2/2003 Lee ..... D14/125
- D482,369 S \* 11/2003 Matuschek ..... D14/496

\* cited by examiner

*Primary Examiner*—Joel Sincavage

(74) *Attorney, Agent, or Firm*—Rader, Fishman & Grauer  
PLLC

(57) **CLAIM**

The ornamental design for an arithmetic and control unit, as shown.

**DESCRIPTION**

FIG. 1 is a front elevational view of an arithmetic and control unit showing our new design;  
 FIG. 2 is a rear elevational view thereof;  
 FIG. 3 is a left side elevational view thereof;  
 FIG. 4 is a right side elevational view thereof;  
 FIG. 5 is a top plan view thereof;  
 FIG. 6 is a bottom plan view thereof.  
 FIG. 7 is a front left top perspective view thereof in an upright position;  
 FIG. 8 is a front right bottom perspective view thereof in an upright position; and,  
 FIG. 9 is a front left top perspective view thereof.

**1 Claim, 5 Drawing Sheets**

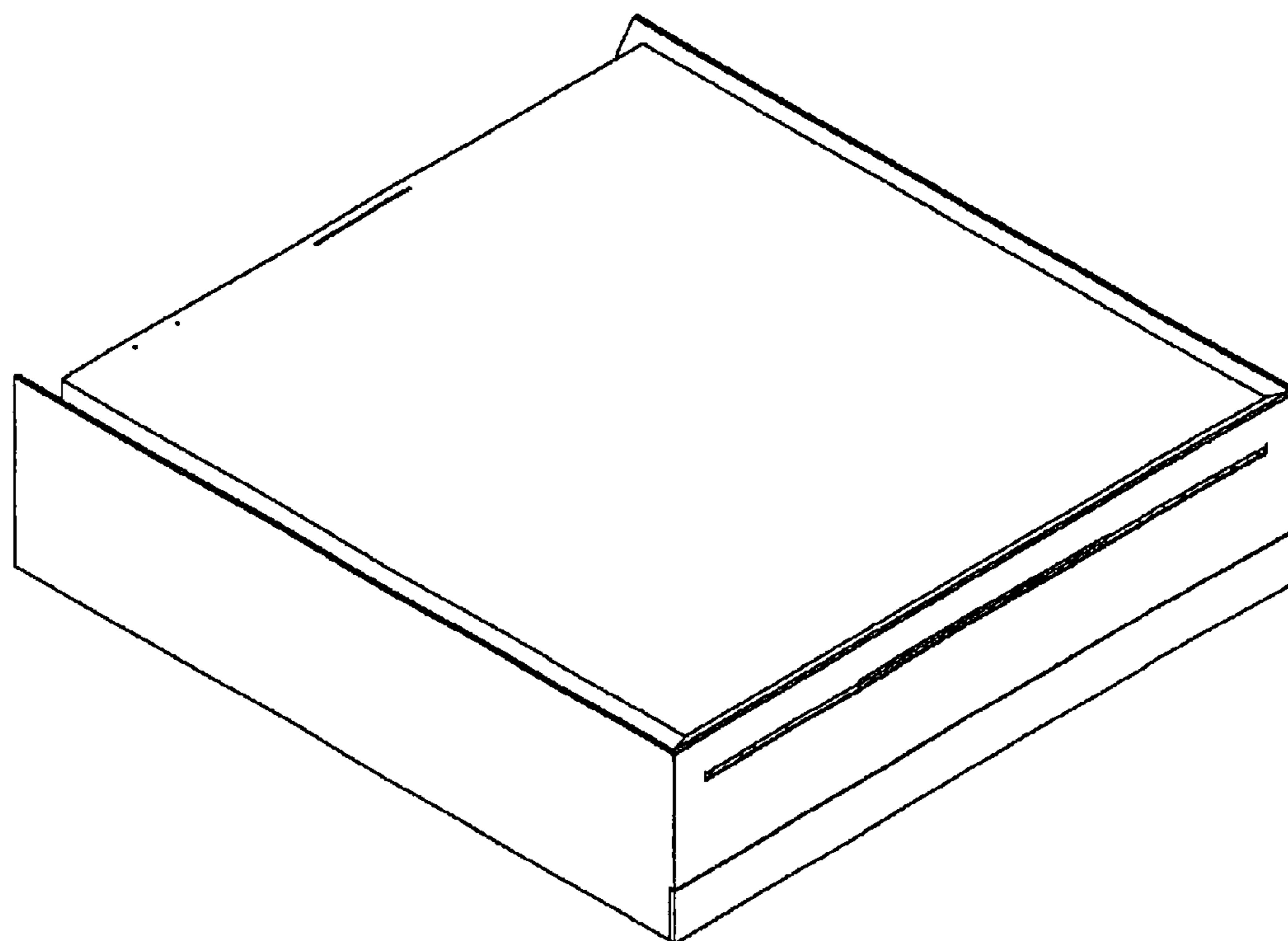


FIG. 1

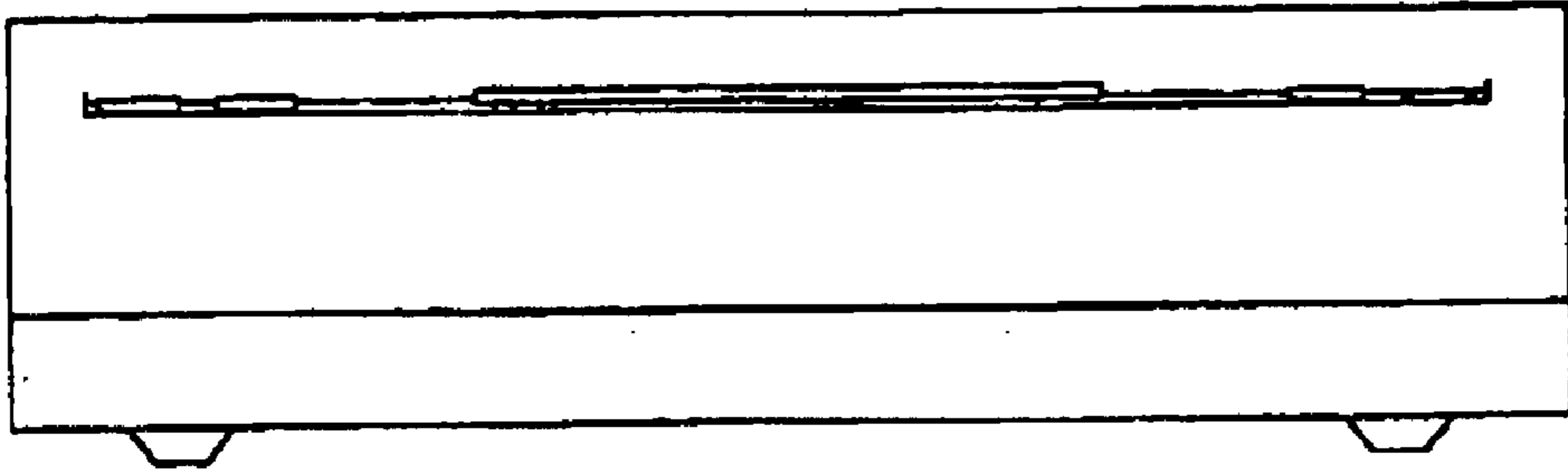


FIG. 2

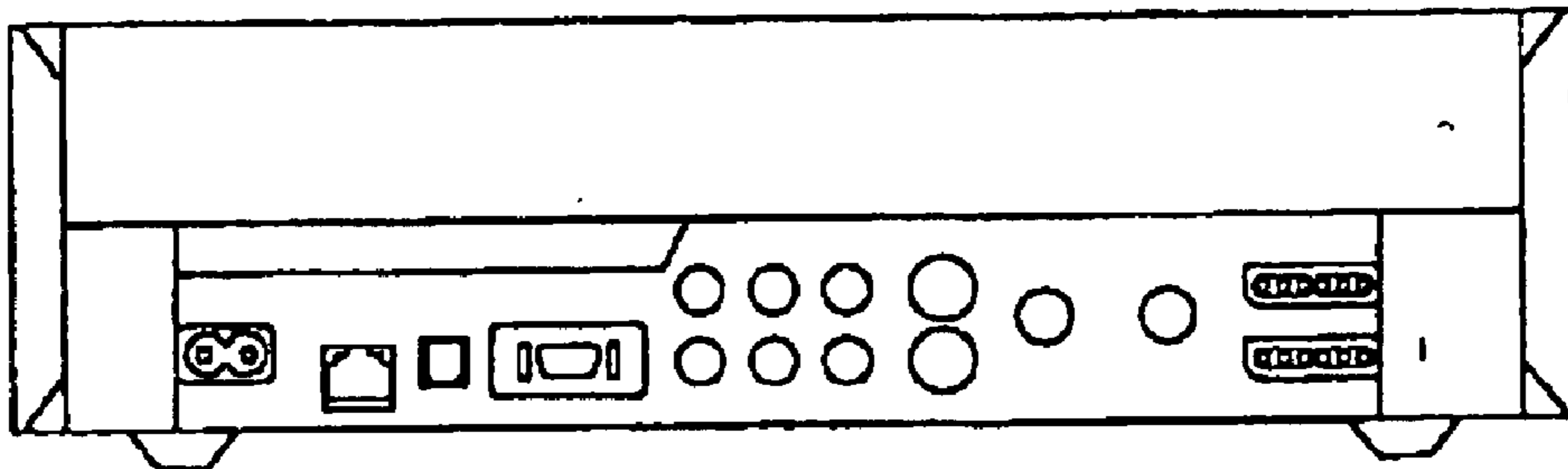


FIG. 3

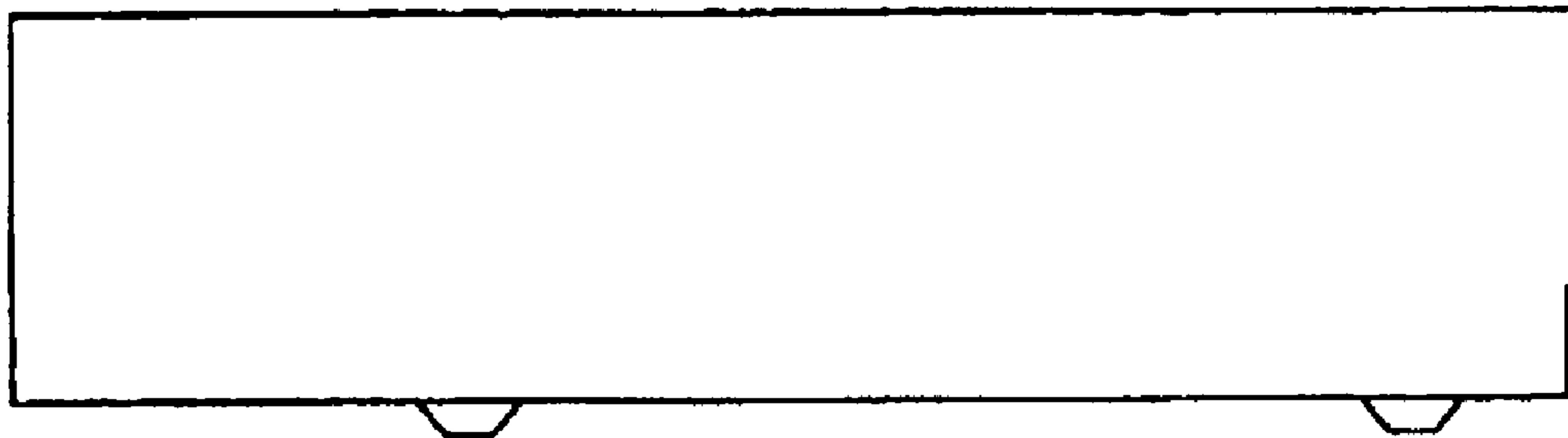


FIG. 4

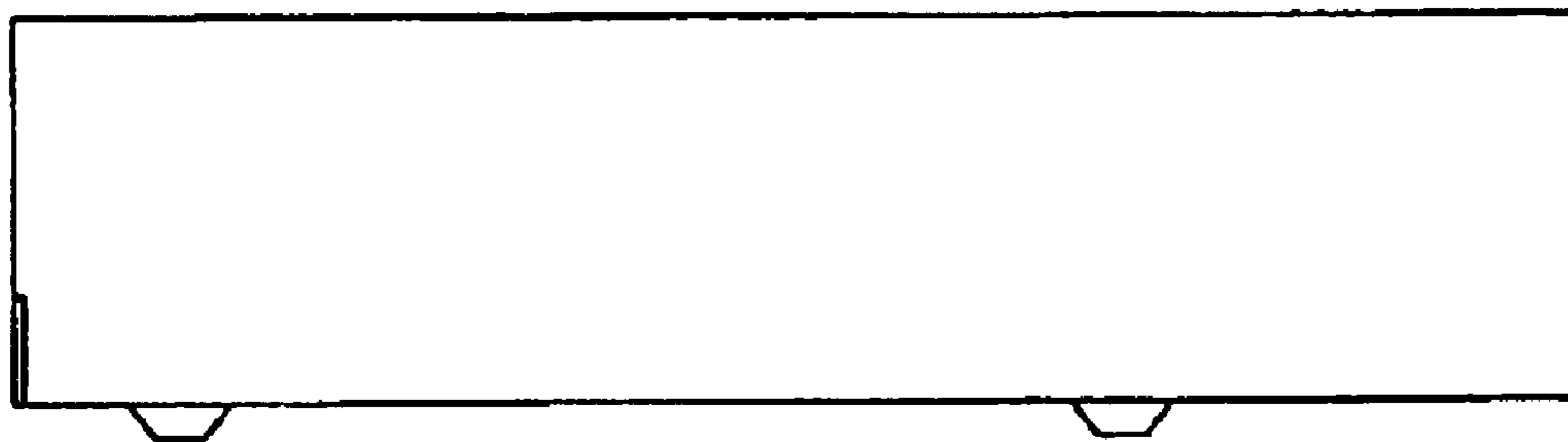


FIG. 5

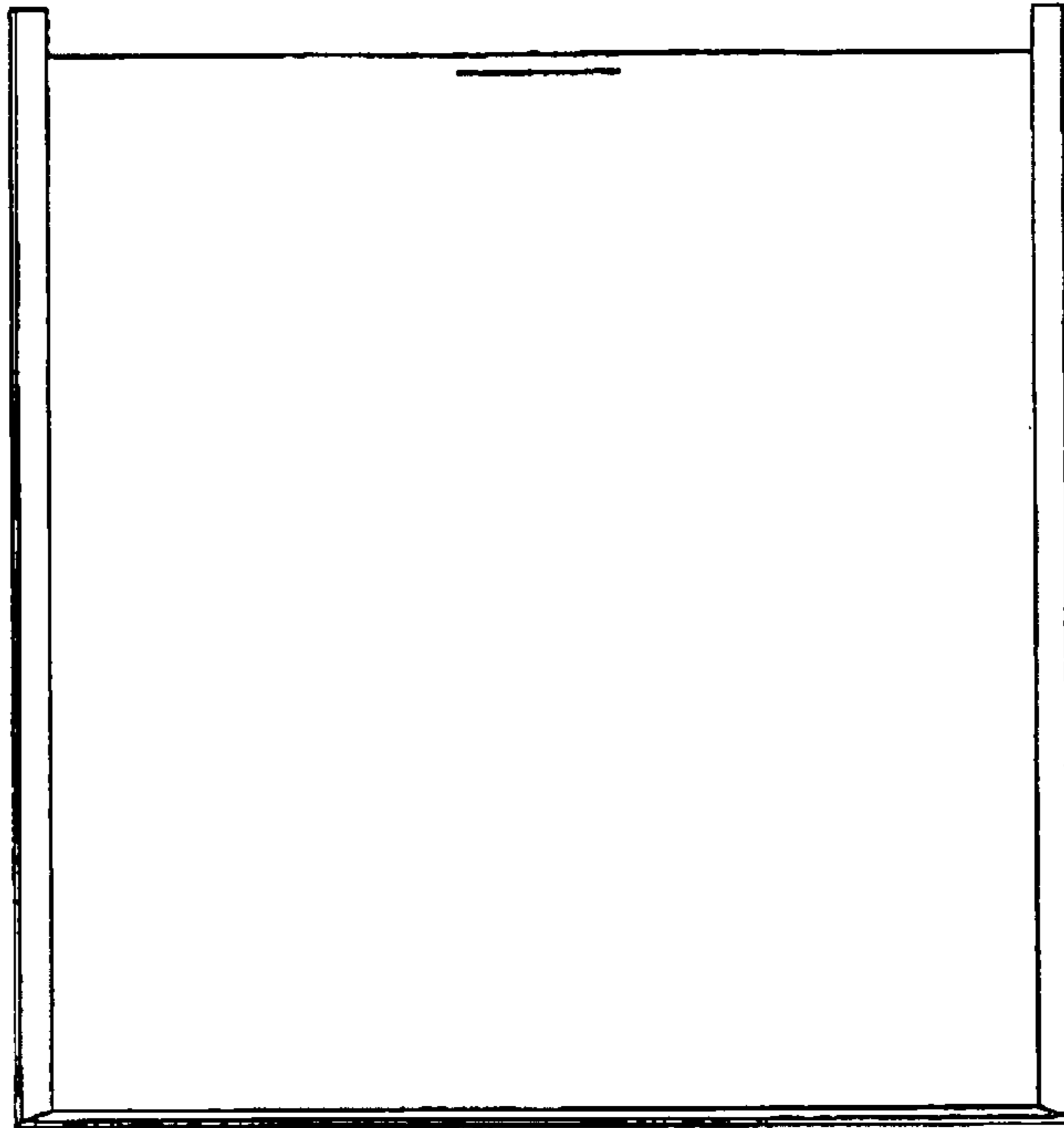
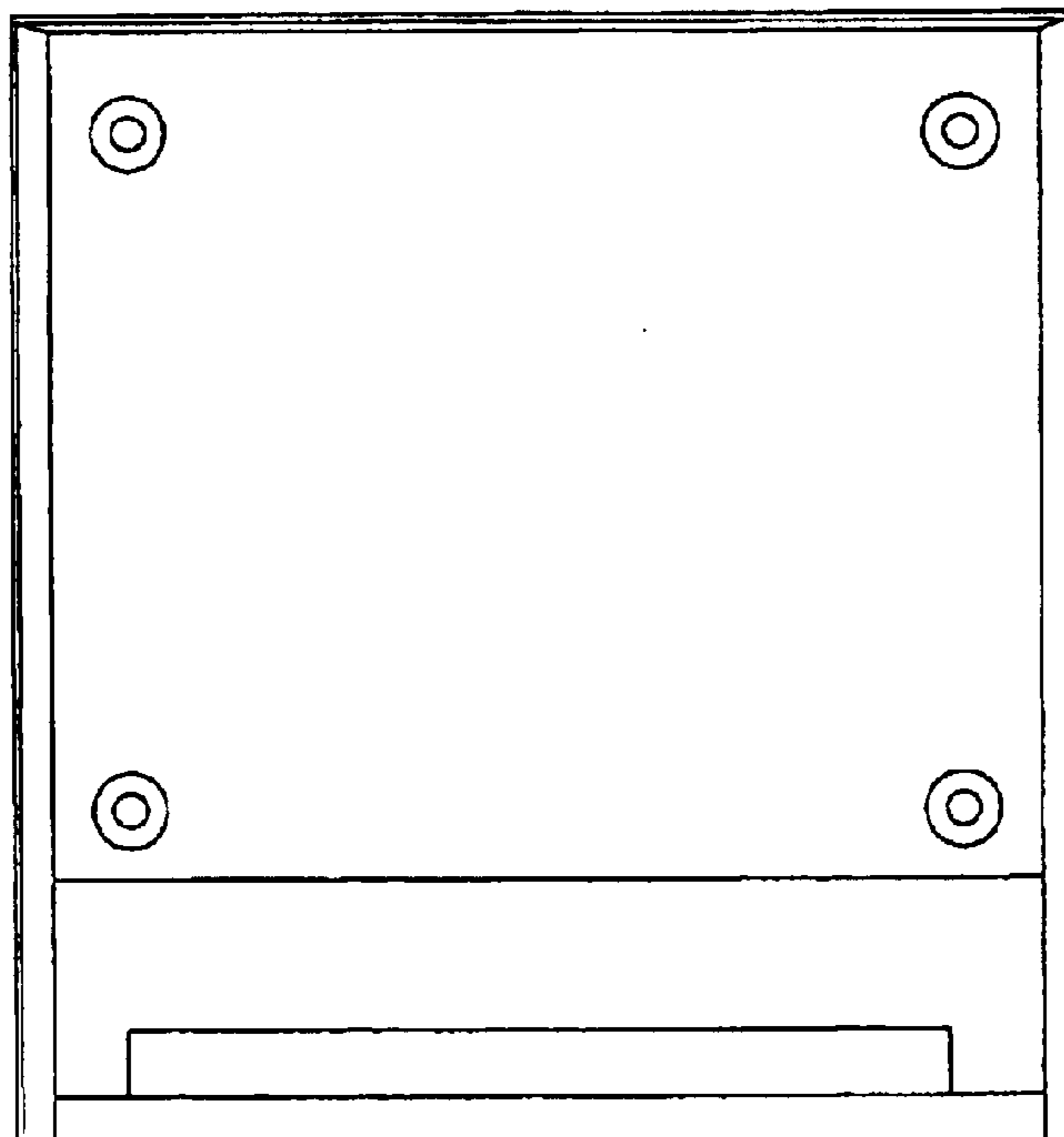


FIG. 6



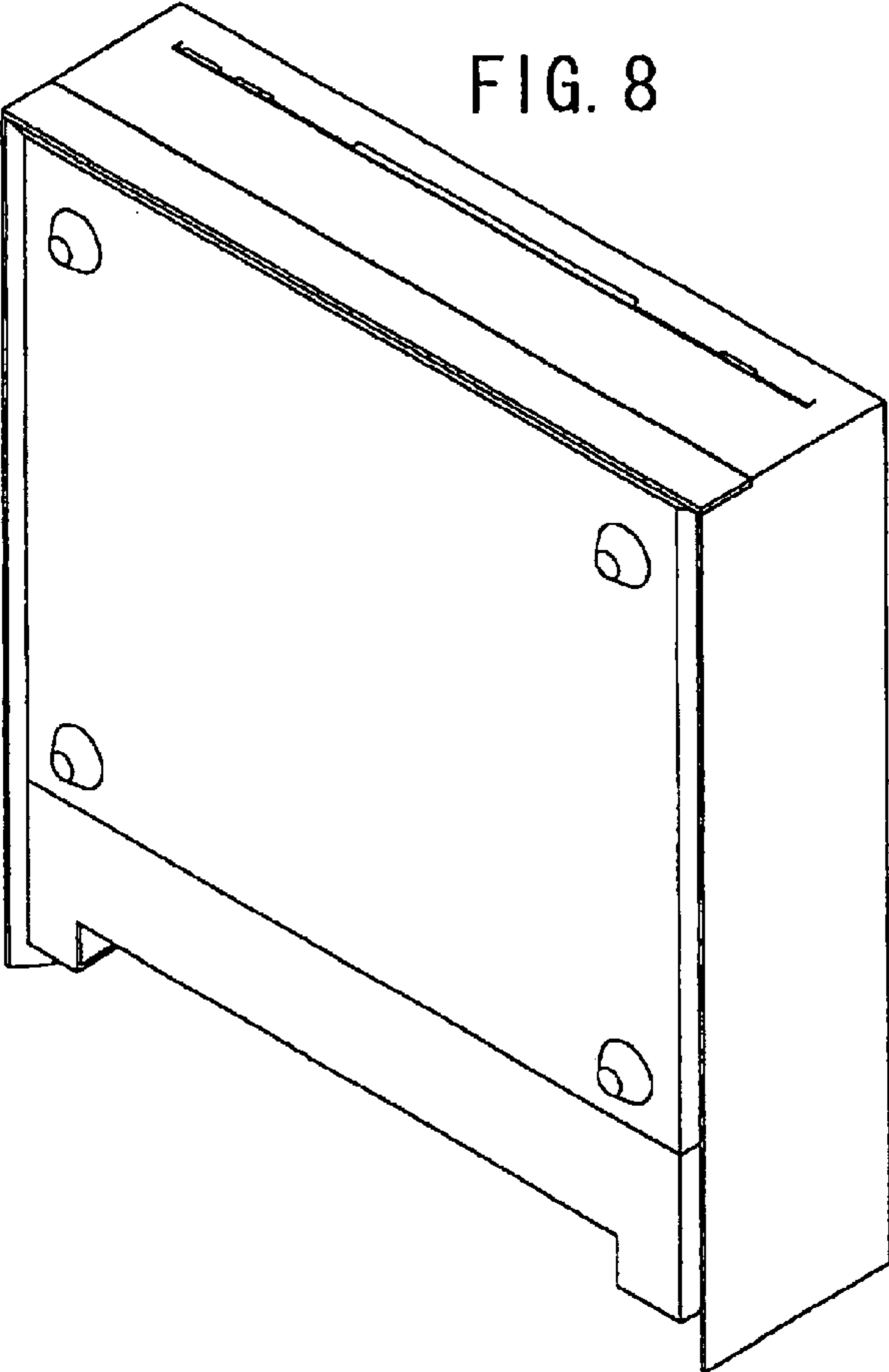
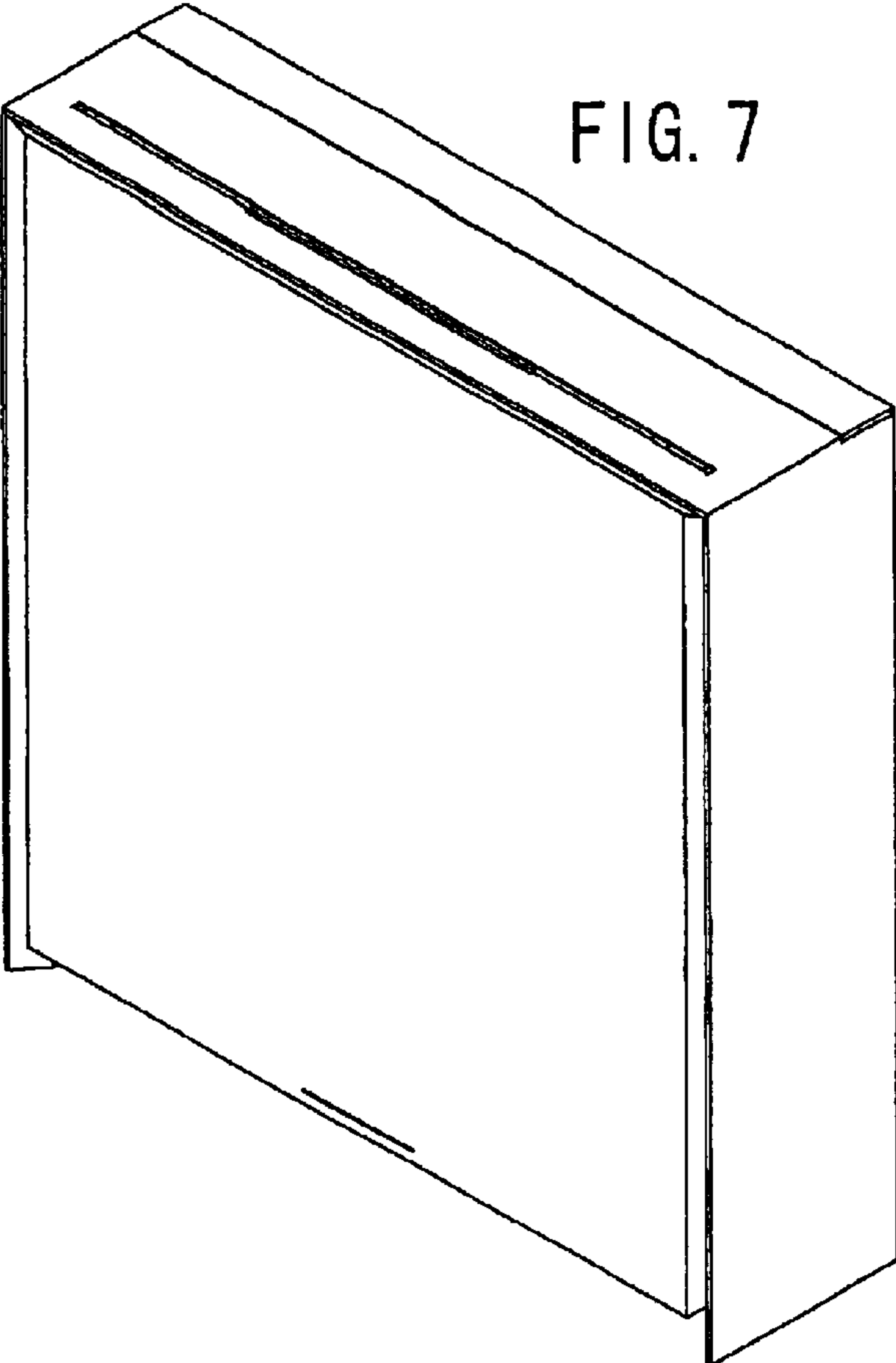
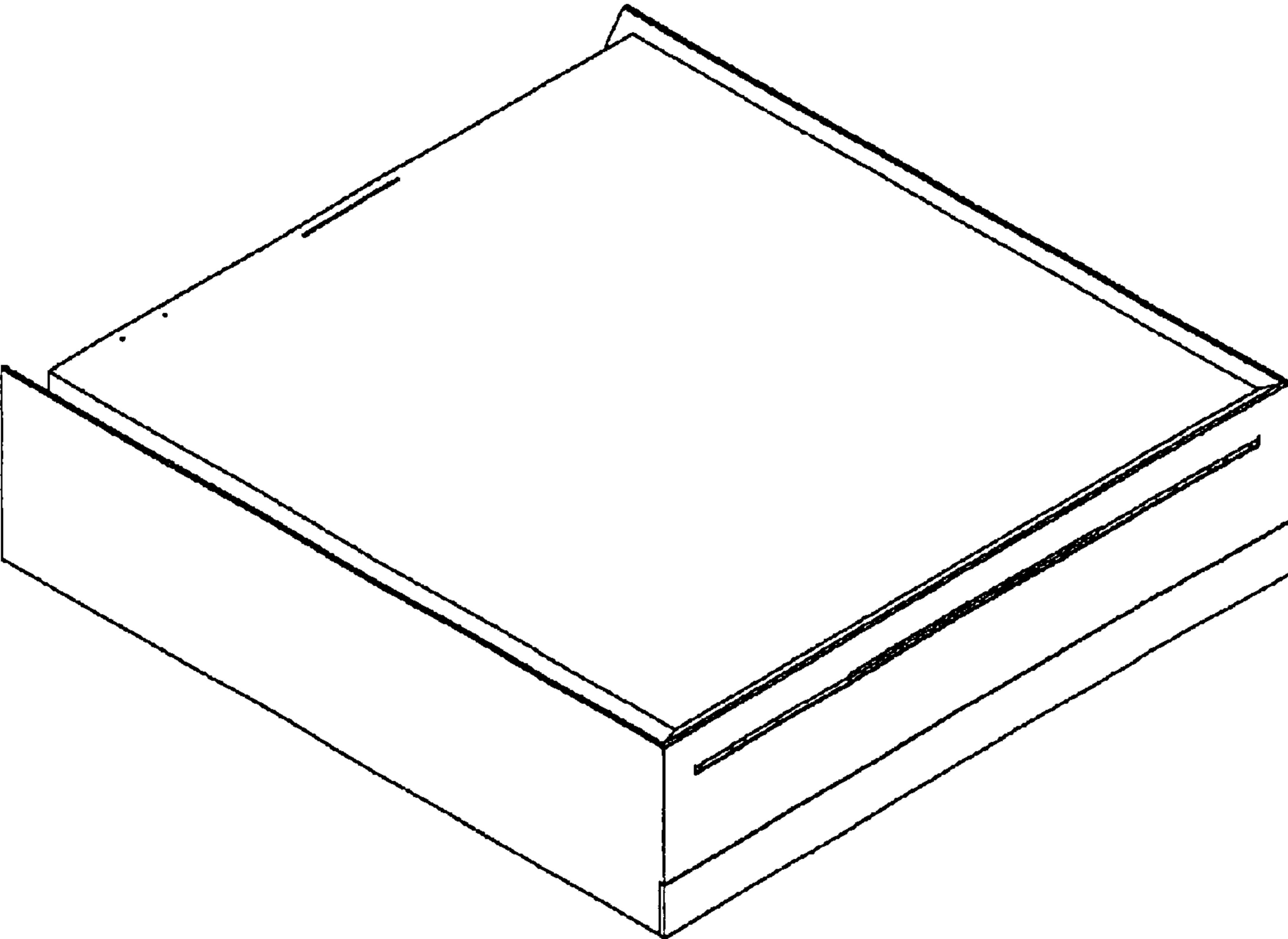


FIG. 9



UNITED STATES PATENT AND TRADEMARK OFFICE  
**CERTIFICATE OF CORRECTION**

PATENT NO. : Des. 494,587 S  
DATED : August 17, 2004  
INVENTOR(S) : Masakazu Kanatani and Hiroshi Yasutomi

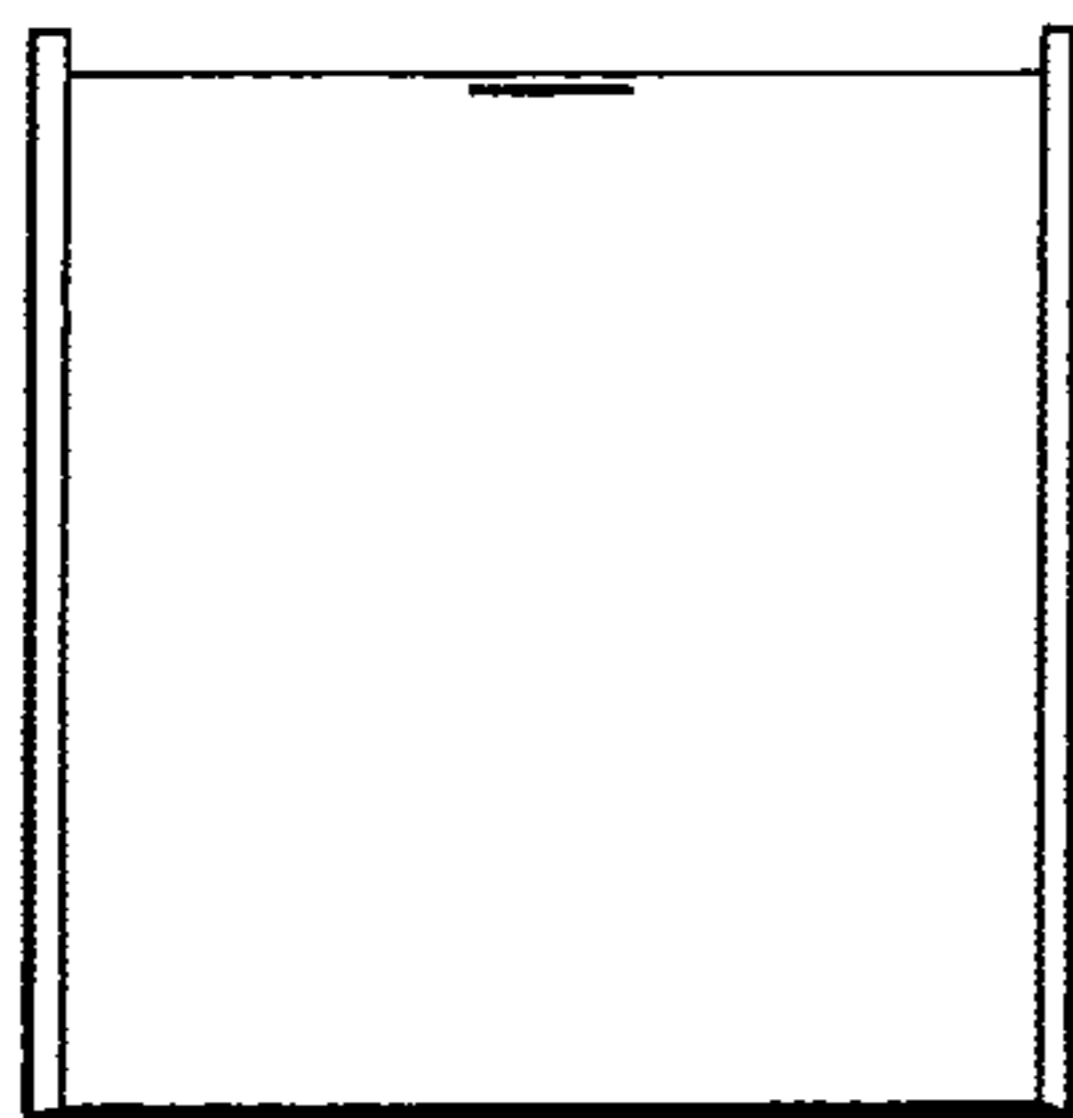
Page 1 of 1

It is certified that error appears in the above-identified patent and that said Letters Patent is hereby corrected as shown below:

Drawings,

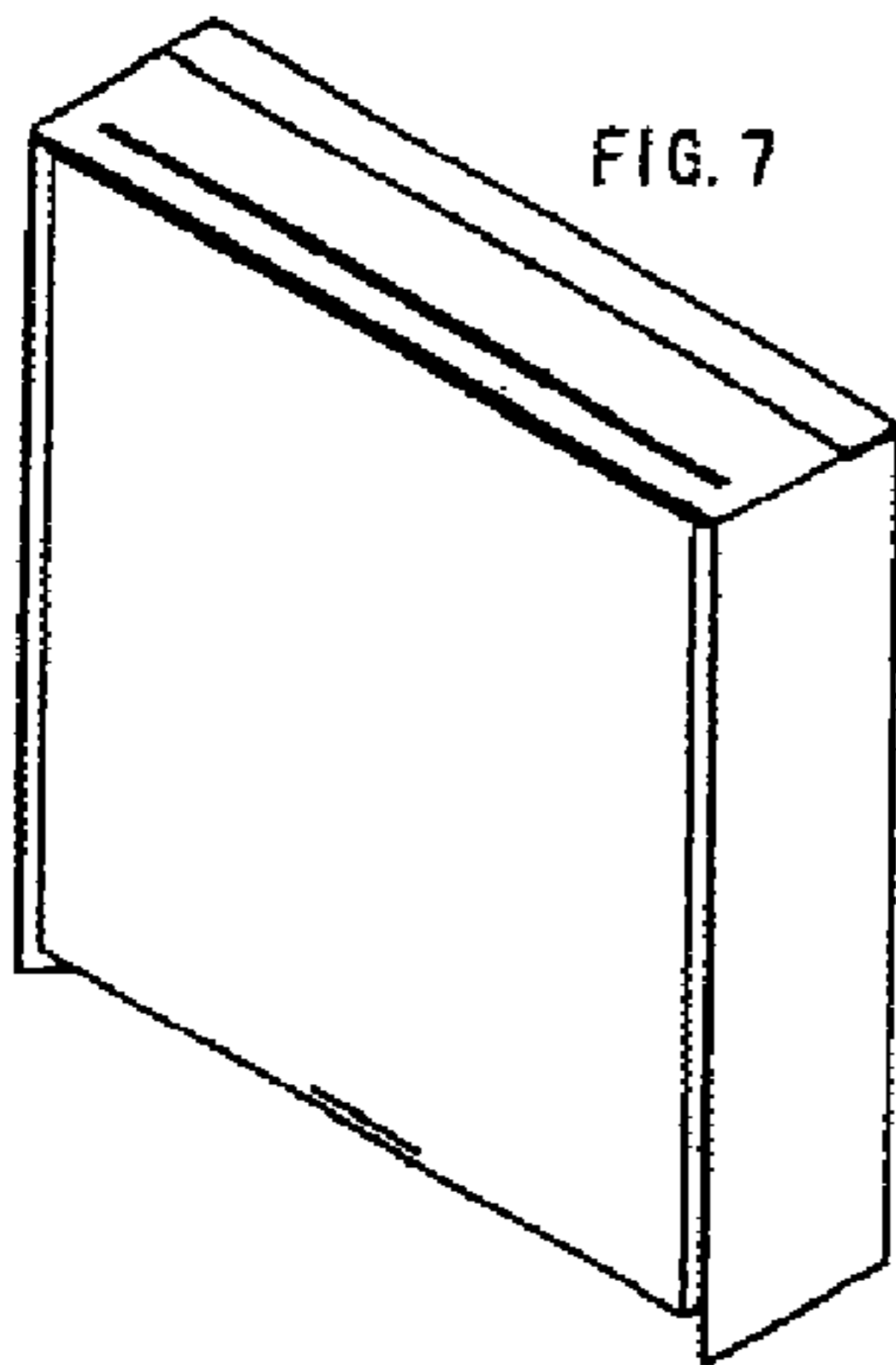
Please correct the drawings of Figure 5 as shown below.

FIG. 5



Please correct the drawings of Figure 7 as shown below.

FIG. 7



Signed and Sealed this

Nineteenth Day of July, 2005

A handwritten signature in black ink on a dotted background. The signature reads "Jon W. Dudas" in a cursive, stylized script. The first letter of "Jon" is a large, looped capital "J".

JON W. DUDAS

*Director of the United States Patent and Trademark Office*