

US00D494586S1

(12) **United States Design Patent**
Kanatani et al.

(10) **Patent No.: US D494,586 S**

(45) **Date of Patent: ** Aug. 17, 2004**

(54) **ARITHMETIC AND CONTROL UNIT**

(75) Inventors: **Masakazu Kanatani, Tokyo (JP);**
Hiroshi Yasutomi, Tokyo (JP)

(73) Assignee: **Sony Computer Entertainment Inc.,**
Tokyo (JP)

(**) Term: **14 Years**

(21) Appl. No.: **29/194,455**

(22) Filed: **Nov. 26, 2003**

(30) **Foreign Application Priority Data**

May 27, 2003 (JP) 2003-018786

(51) **LOC (7) Cl. 14-02**

(52) **U.S. Cl. D14/356**

(58) **Field of Search D14/125, 355,**
D14/356, 368, 496; D13/184

(56) **References Cited**

U.S. PATENT DOCUMENTS

D179,160 S	*	11/1956	Sandor	D13/184
D314,188 S	*	1/1991	Izaki	D14/355
D322,428 S	*	12/1991	Sato et al.	D14/355
D331,570 S	*	12/1992	Koiwa	D14/354
D344,267 S	*	2/1994	Ueda et al.	D14/355
D387,740 S	*	12/1997	Kondo	D14/368
D407,393 S	*	3/1999	Kazama	D14/125

D412,495 S	*	8/1999	Shibata	D14/356
D436,105 S	*	1/2001	Goto	D14/356
D441,375 S	*	5/2001	Hisatsune et al.	D14/496
D445,789 S	*	7/2001	Zmehrir	D14/356
D470,465 S	*	2/2003	Lee	D14/125
D482,369 S	*	11/2003	Matuschek	D14/496

* cited by examiner

Primary Examiner—Joel Sincavage

(74) *Attorney, Agent, or Firm*—Rader, Fishman & Grauer
PLLC

(57) **CLAIM**

The ornamental design for an arithmetic and control unit, as shown.

DESCRIPTION

FIG. 1 is a front elevational view of an arithmetic and control unit showing our new design; FIG. 2 is a rear elevational view thereof; FIG. 3 is a left side elevational view thereof; FIG. 4 is a right side elevational view thereof; FIG. 5 is a top plan view thereof; FIG. 6 is a bottom plan view thereof; FIG. 7 is a front left top perspective view thereof in an upright position; FIG. 8 is a front right bottom perspective view thereof in the upright position; and, FIG. 9 is a front left top perspective view thereof.

1 Claim, 5 Drawing Sheets

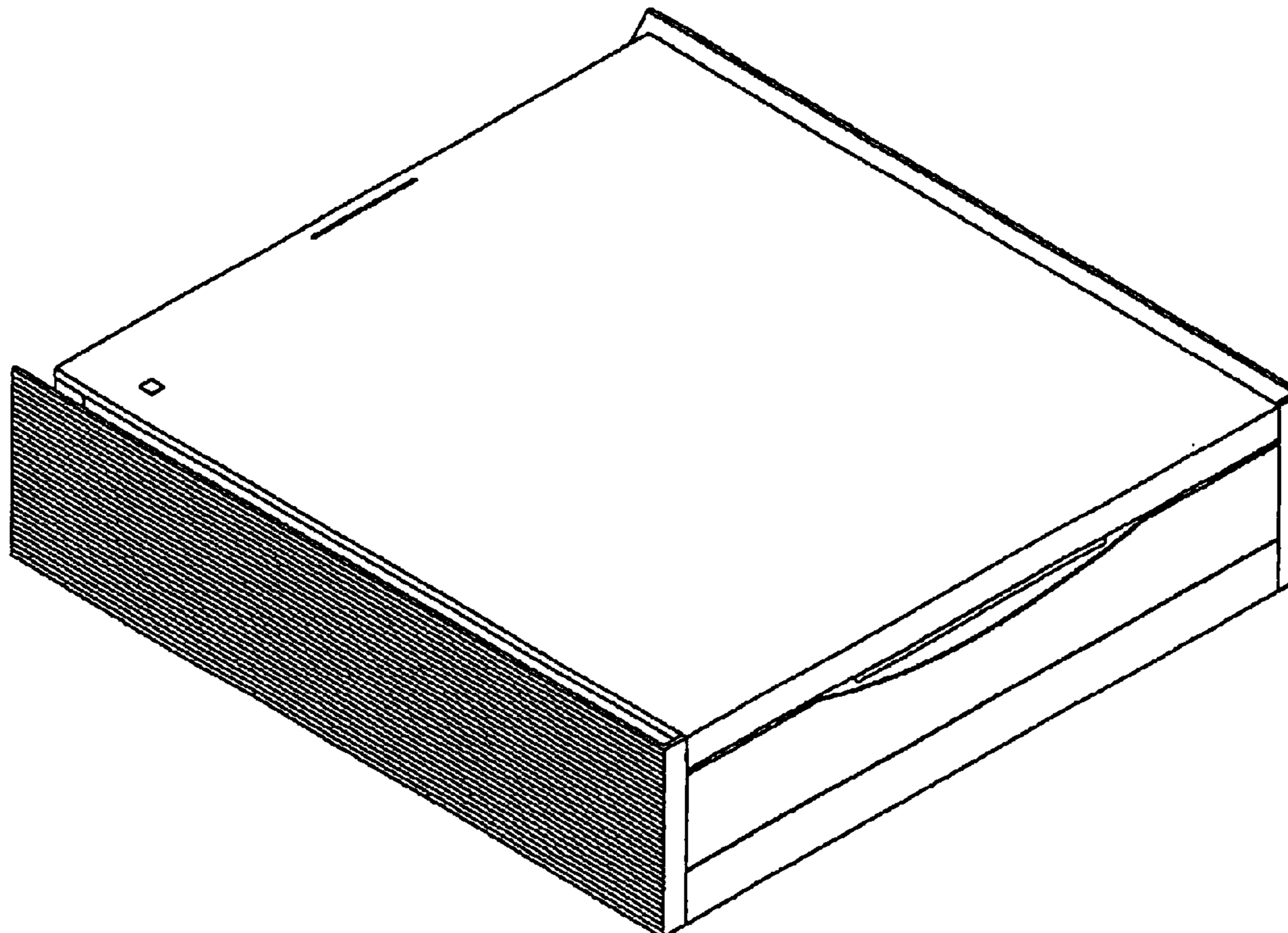


FIG. 1

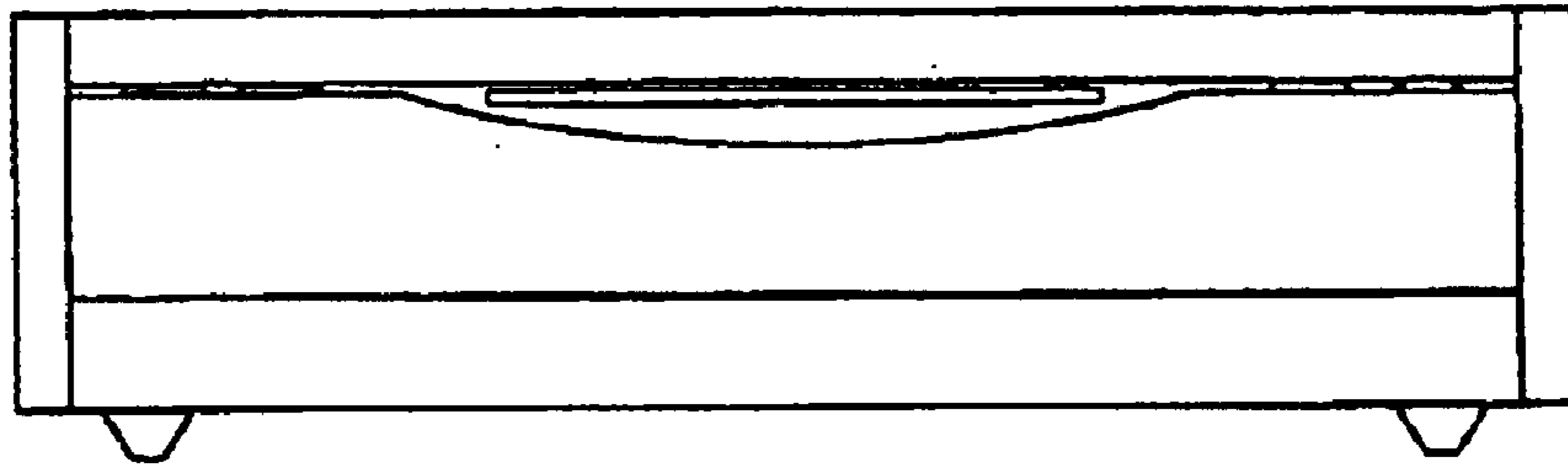


FIG. 2

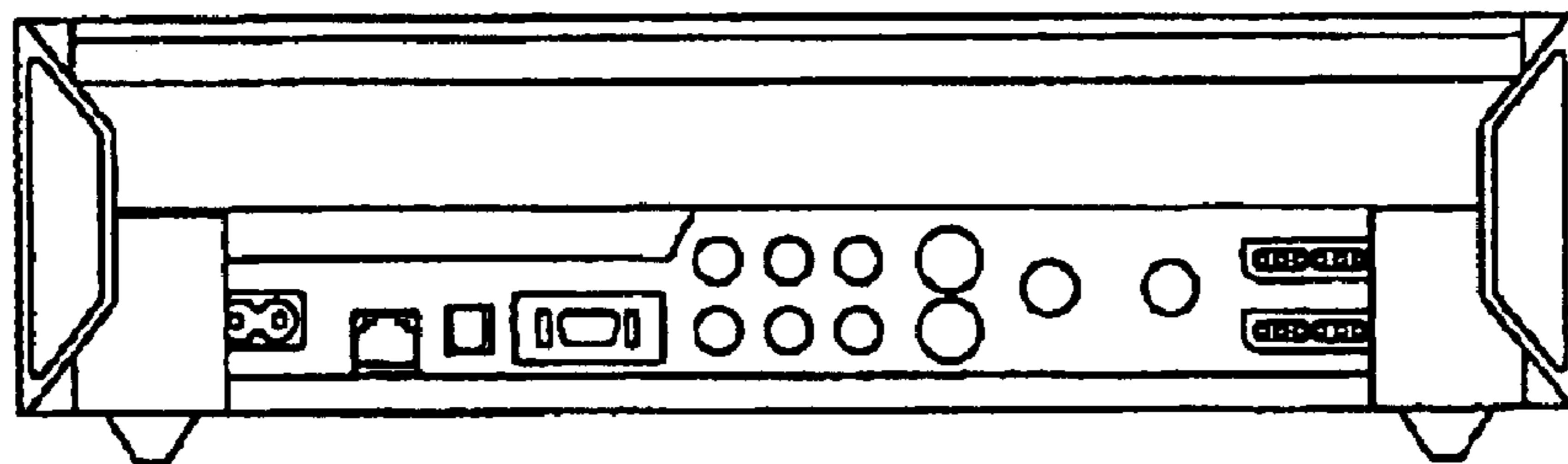


FIG. 3



FIG. 4

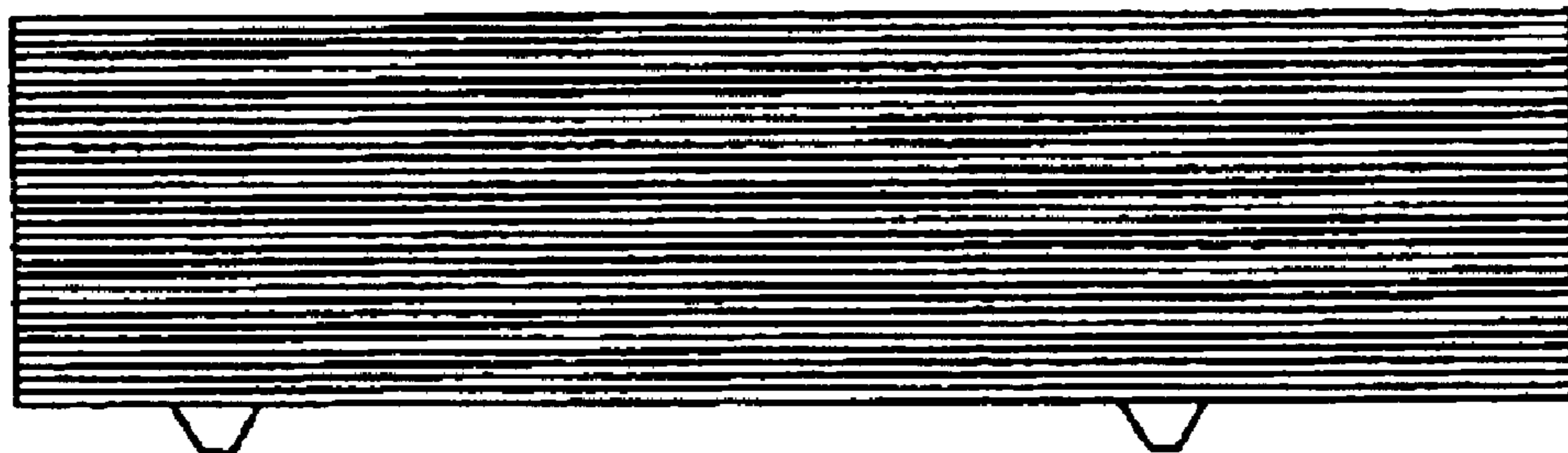


FIG. 5

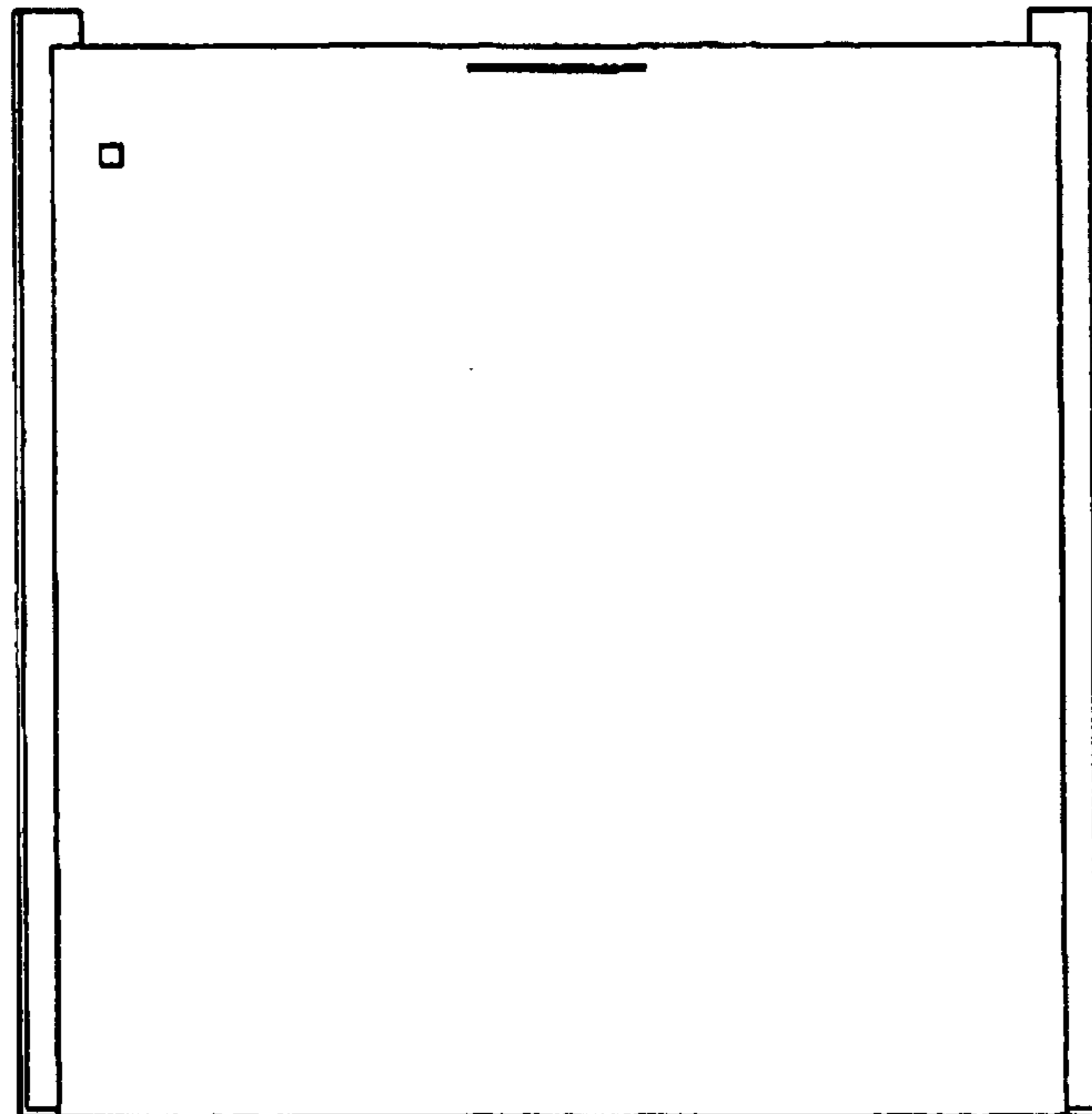


FIG. 6

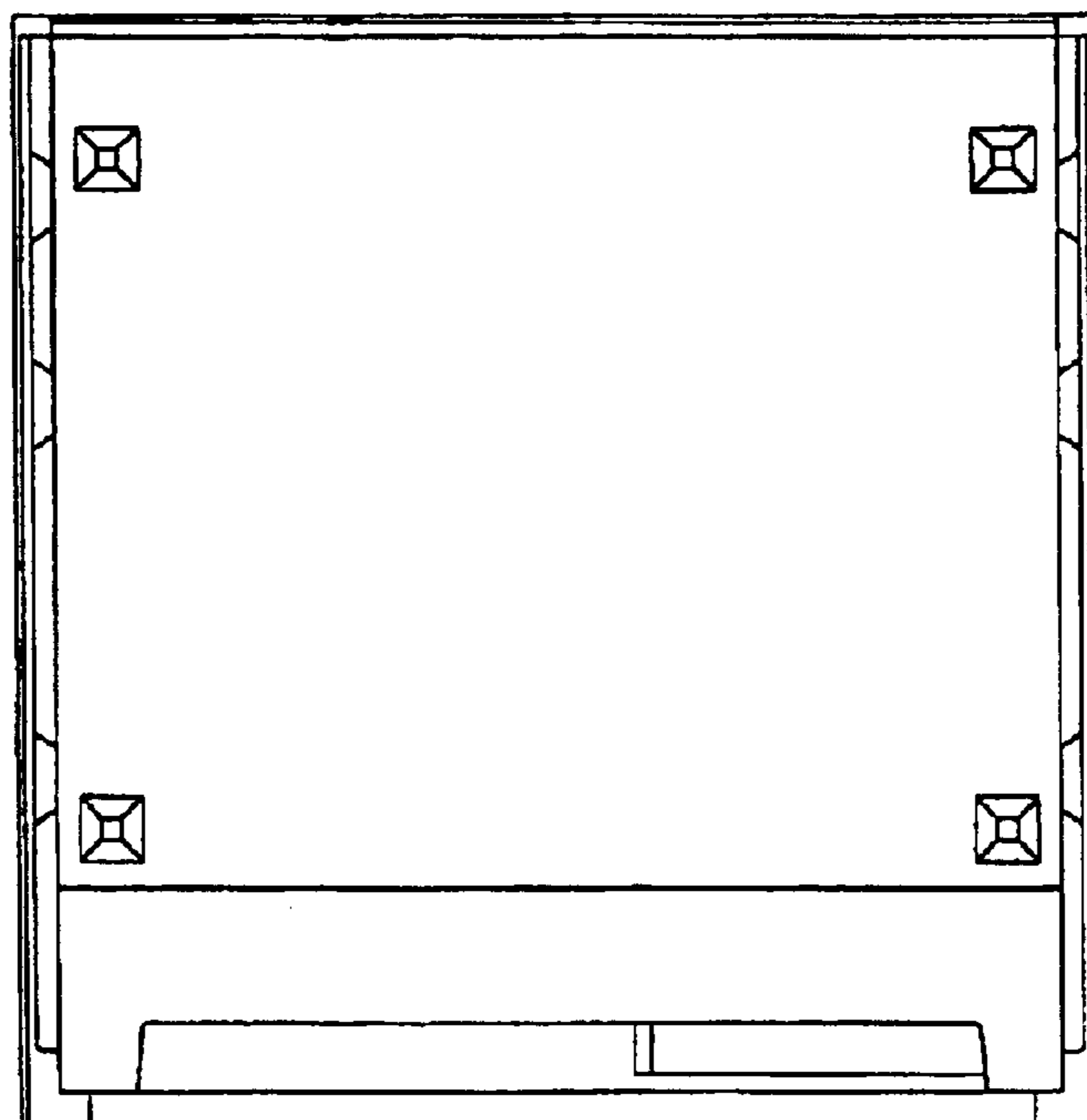


FIG. 7

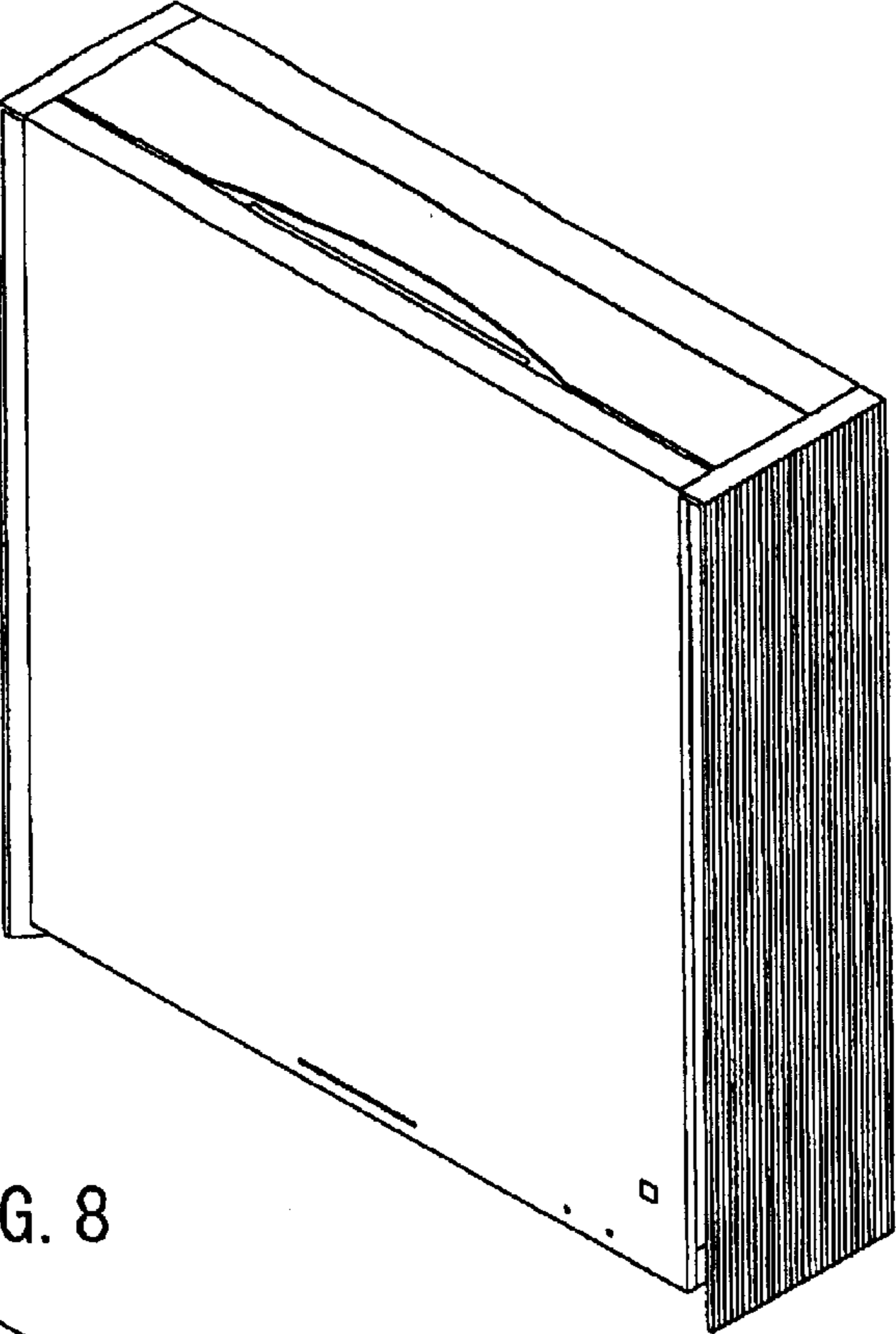


FIG. 8

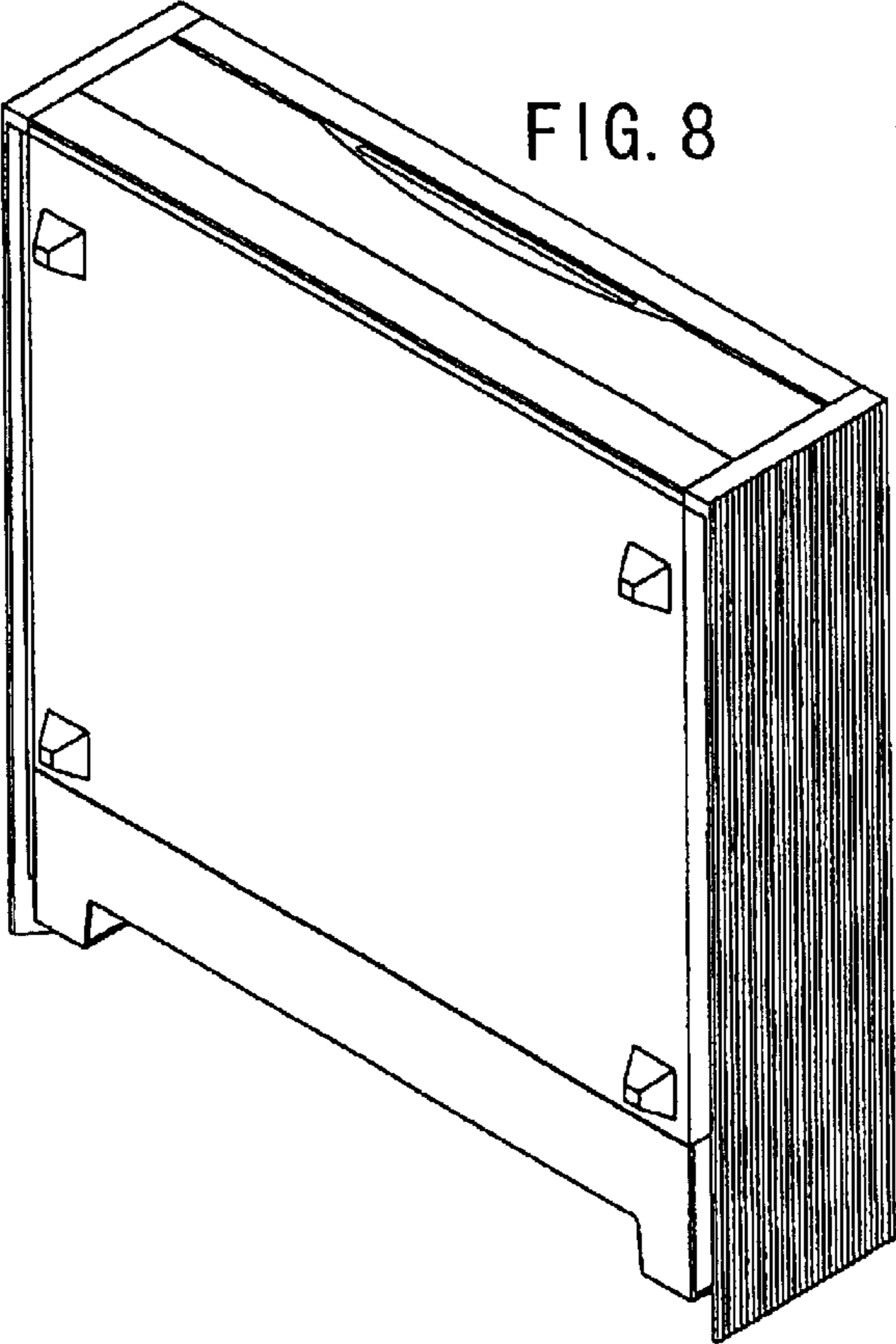
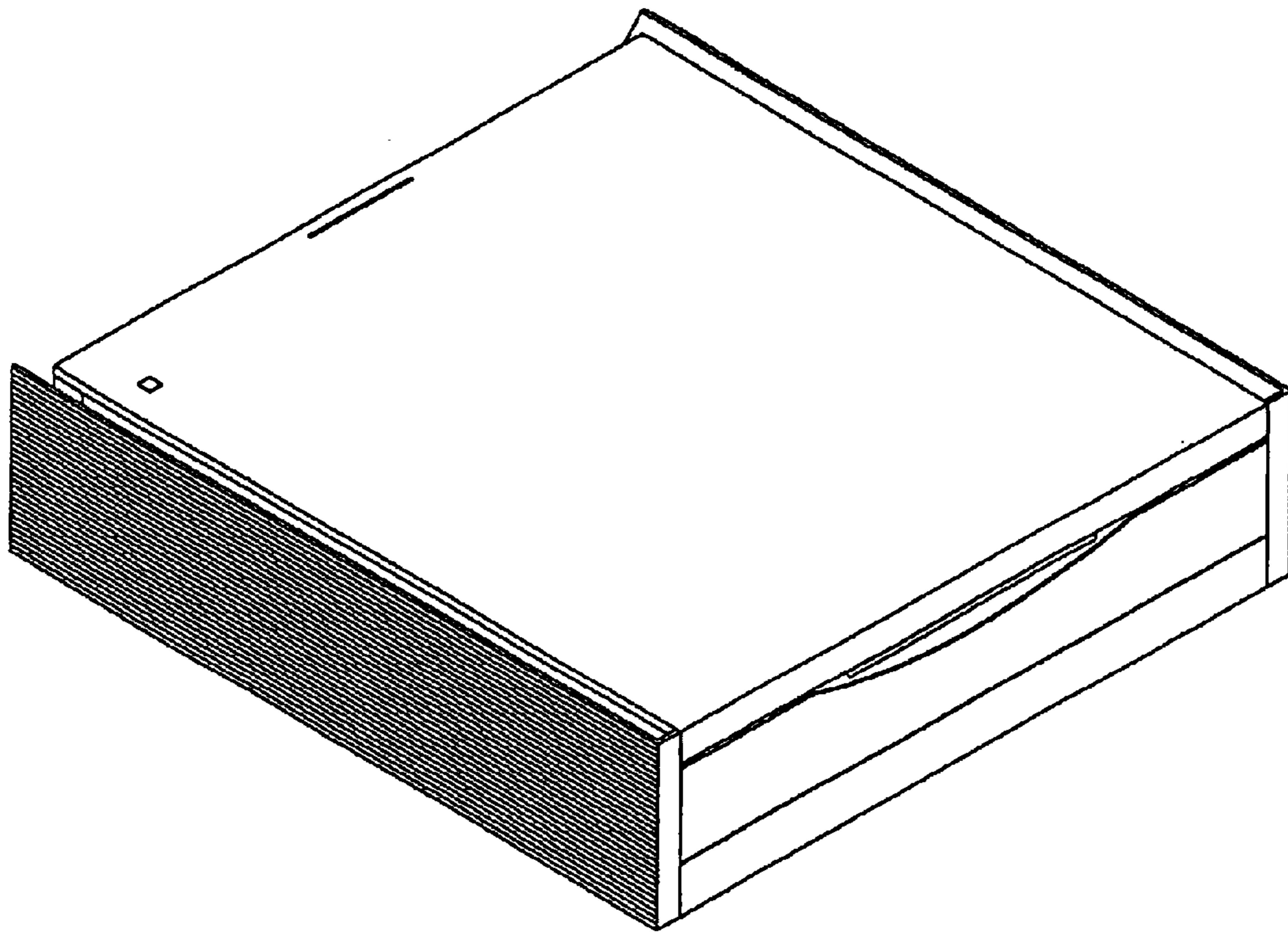


FIG. 9



UNITED STATES PATENT AND TRADEMARK OFFICE
CERTIFICATE OF CORRECTION

PATENT NO. : Des. 494,586 S
DATED : August 17, 2004
INVENTOR(S) : Kanatani et al.

Page 1 of 4

It is certified that error appears in the above-identified patent and that said Letters Patent is hereby corrected as shown below:

The title page, showing an illustrative figure, should be deleted and substitute therefor the attached page.

Delete Drawing sheets 3 and 5 and substitute therefore the Drawings Sheets consisting of Fig. 5 and 9 as shown on the attached pages.

Signed and Sealed this

Twenty-third Day of August, 2005

A handwritten signature in black ink on a light gray dotted background. The signature reads "Jon W. Dudas" in a cursive style.

JON W. DUDAS

Director of the United States Patent and Trademark Office

(12) **United States Design Patent** (10) **Patent No.:** **US D494,586 S**
Kanatani et al. (45) **Date of Patent:** **** Aug. 17, 2004**

(54) **ARITHMETIC AND CONTROL UNIT**

(75) Inventors: **Masakazu Kanatani**, Tokyo (JP);
Hiroshi Yasutomi, Tokyo (JP)

(73) Assignee: **Sony Computer Entertainment Inc.**,
Tokyo (JP)

(**) Term: **14 Years**

(21) Appl. No.: **29/194,455**

(22) Filed: **Nov. 26, 2003**

(30) **Foreign Application Priority Data**

May 27, 2003 (JP) 2003-018786

(51) **LOC (7) Cl.** **14-02**

(52) **U.S. Cl.** **D14/356**

(58) **Field of Search** D14/125, 355,
D14/356, 368, 496; D13/184

(56) **References Cited**

U.S. PATENT DOCUMENTS

D179,160 S * 11/1956 Sandor D13/184
D314,188 S * 1/1991 Izaki D14/355
D322,428 S * 12/1991 Sato et al. D14/355
D331,570 S * 12/1992 Koiwa D14/354
D344,267 S * 2/1994 Ueda et al. D14/355
D387,740 S * 12/1997 Kondo D14/368
D407,393 S * 3/1999 Kazama D14/125

D412,495 S * 8/1999 Shibata D14/356
D436,105 S * 1/2001 Goto D14/356
D441,375 S * 5/2001 Hisatsune et al. D14/496
D445,789 S * 7/2001 Zmehrir D14/356
D470,465 S * 2/2003 Lee D14/125
D482,369 S * 11/2003 Matuschek D14/496

* cited by examiner

Primary Examiner—Joel Sincavage

(74) *Attorney, Agent, or Firm*—Rader, Fishman & Grauer
PLLC

(57) **CLAIM**

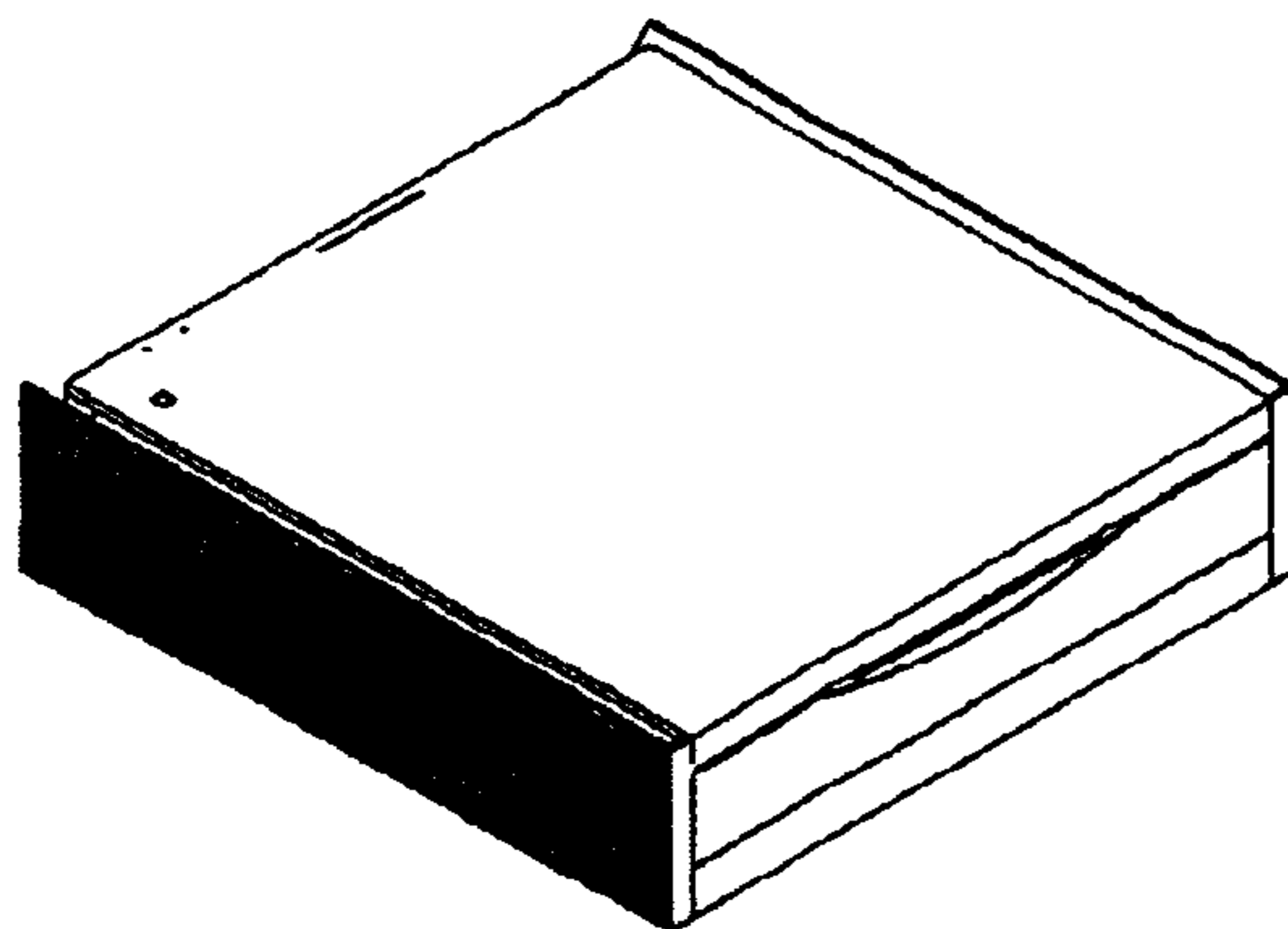
The ornamental design for an arithmetic and control unit, as shown.

DESCRIPTION

FIG. 1 is a front elevational view of an arithmetic and control unit showing our new design;
FIG. 2 is a rear elevational view thereof;
FIG. 3 is a left side elevational view thereof;
FIG. 4 is a right side elevational view thereof;
FIG. 5 is a top plan view thereof;
FIG. 6 is a bottom plan view thereof;
FIG. 7 is a front left top perspective view thereof in an upright position;
FIG. 8 is a front right bottom perspective view thereof in the upright position; and,
FIG. 9 is a front left top perspective view thereof.

1 Claim, 5 Drawing Sheets

FIG. 9



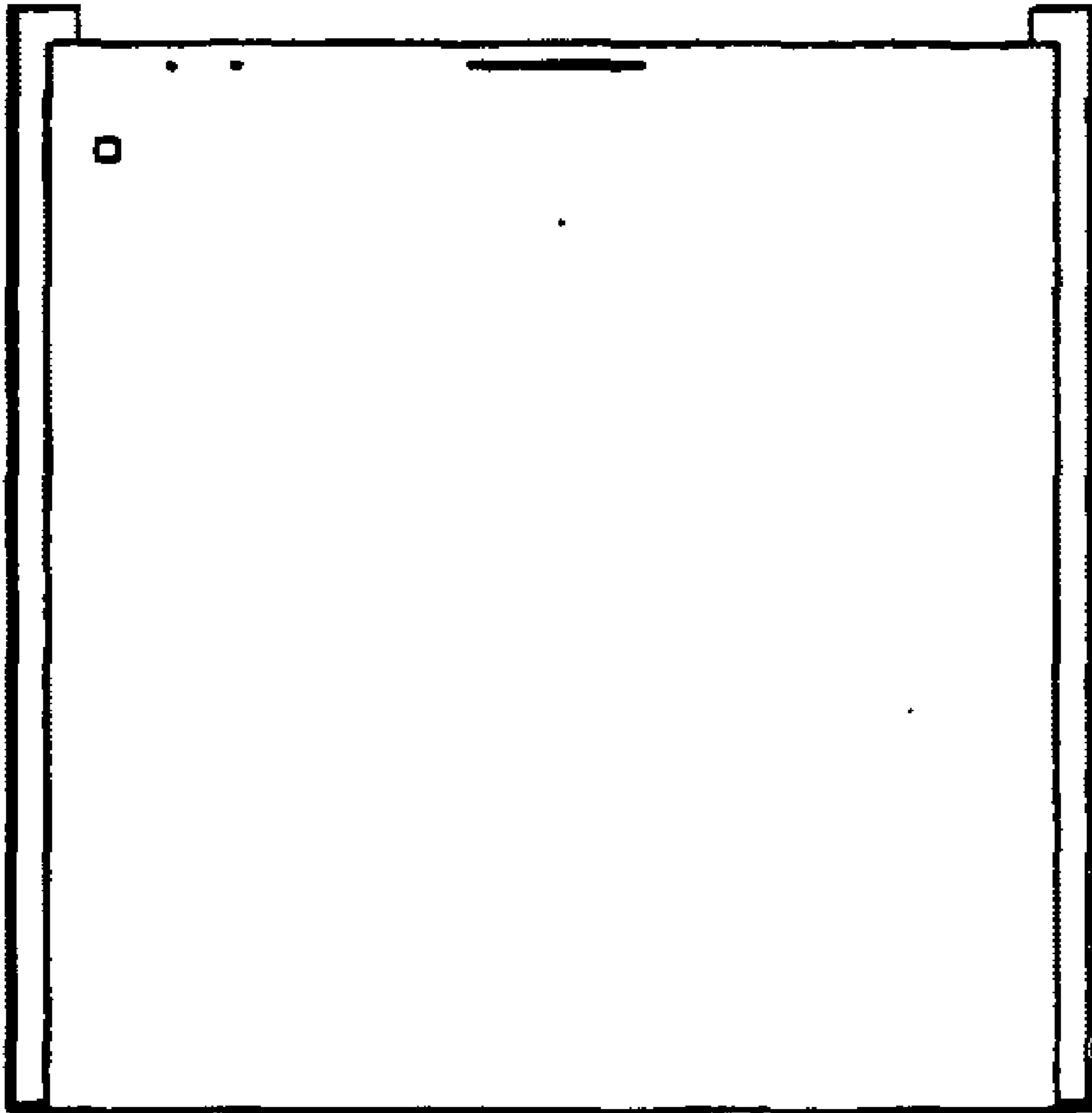
U.S. Patent

Aug. 17, 2004

Sheet 3 of 5

D494,586 S

FIG. 5



U.S. Patent

Aug. 17, 2004

Sheet 5 of 5

D494,586 S

FIG. 9

