

US00D494583S1

(12) **United States Design Patent**  
**Guerrera et al.**

(10) **Patent No.:** **US D494,583 S**

(45) **Date of Patent:** **\*\* Aug. 17, 2004**

(54) **HOME AUTOMATION TERMINAL**

(75) Inventors: **Carlo Guerrera**, Pordenone (IT);  
**Adriano Facchin**, Azzano Decimo (IT);  
**Alessandra Rinaldi**, Firenze (IT)

(73) Assignee: **BPT S.p.A.**, Cinto Caomaggiore (IT)

(\*\*) Term: **14 Years**

(21) Appl. No.: **29/187,096**

(22) Filed: **Jul. 28, 2003**

(30) **Foreign Application Priority Data**

Jan. 28, 2003 (IT) ..... PD2003O0006

(51) **LOC (7) Cl.** ..... **14-02**

(52) **U.S. Cl.** ..... **D14/336; D14/371**

(58) **Field of Search** ..... D14/341-346,  
D14/337, 374, 125-129; 341/12; 345/104,  
156, 168, 173, 901-905; 348/180, 184,  
325, 739; 349/1, 2, 11, 62; D18/12.3; 709/200

(56) **References Cited**

**U.S. PATENT DOCUMENTS**

D356,548 S \* 3/1995 Bottcher et al. .... D14/341  
D357,495 S \* 4/1995 Skaggs et al. .... D18/12.3  
5,964,830 A \* 10/1999 Durrett ..... 709/200

D454,565 S \* 3/2002 Harriman ..... D14/374  
D458,252 S \* 6/2002 Palm et al. .... D14/343  
D458,602 S \* 6/2002 Hasegawa et al. .... D14/374

\* cited by examiner

*Primary Examiner*—Freda S. Nunn

(74) *Attorney, Agent, or Firm*—RatnerPrestia

(57) **CLAIM**

The ornamental design for a home automation terminal,  
substantially as shown and described.

**DESCRIPTION**

FIG. 1 is a perspective view of a home automation terminal  
according to the present invention;

FIG. 2 is a front view of the home automation terminal  
shown in FIG. 1;

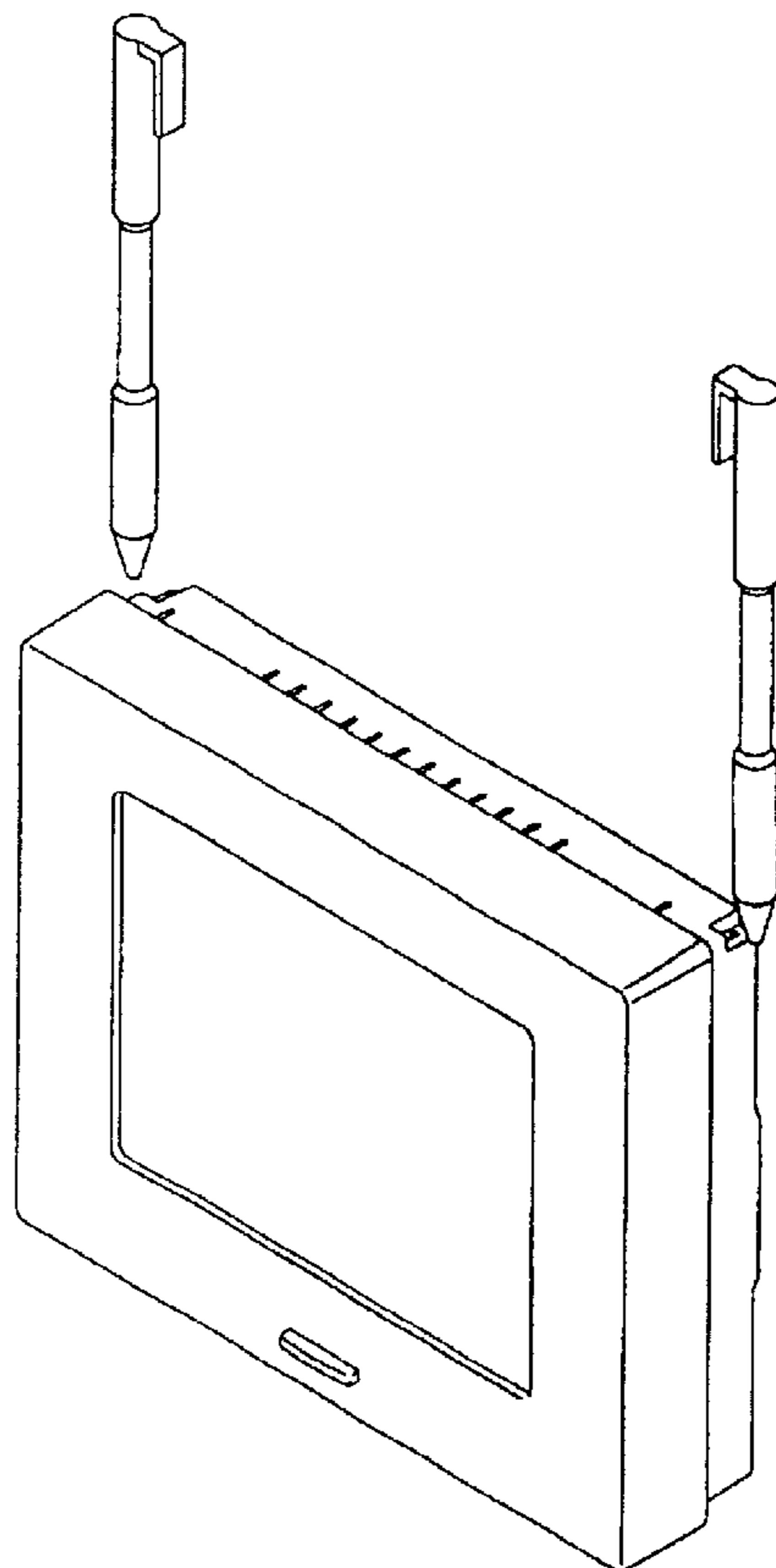
FIG. 3 is a left side view of the home automation terminal  
shown in FIG. 1;

FIG. 4 is a bottom view of the home automation terminal  
shown in FIG. 1; and,

FIG. 5 is a top view of the home automation terminal shown  
in FIG. 1.

The left side (FIG. 3) and the right side of the home  
automation terminal according to the invention are mirror  
images of one another.

**1 Claim, 1 Drawing Sheet**



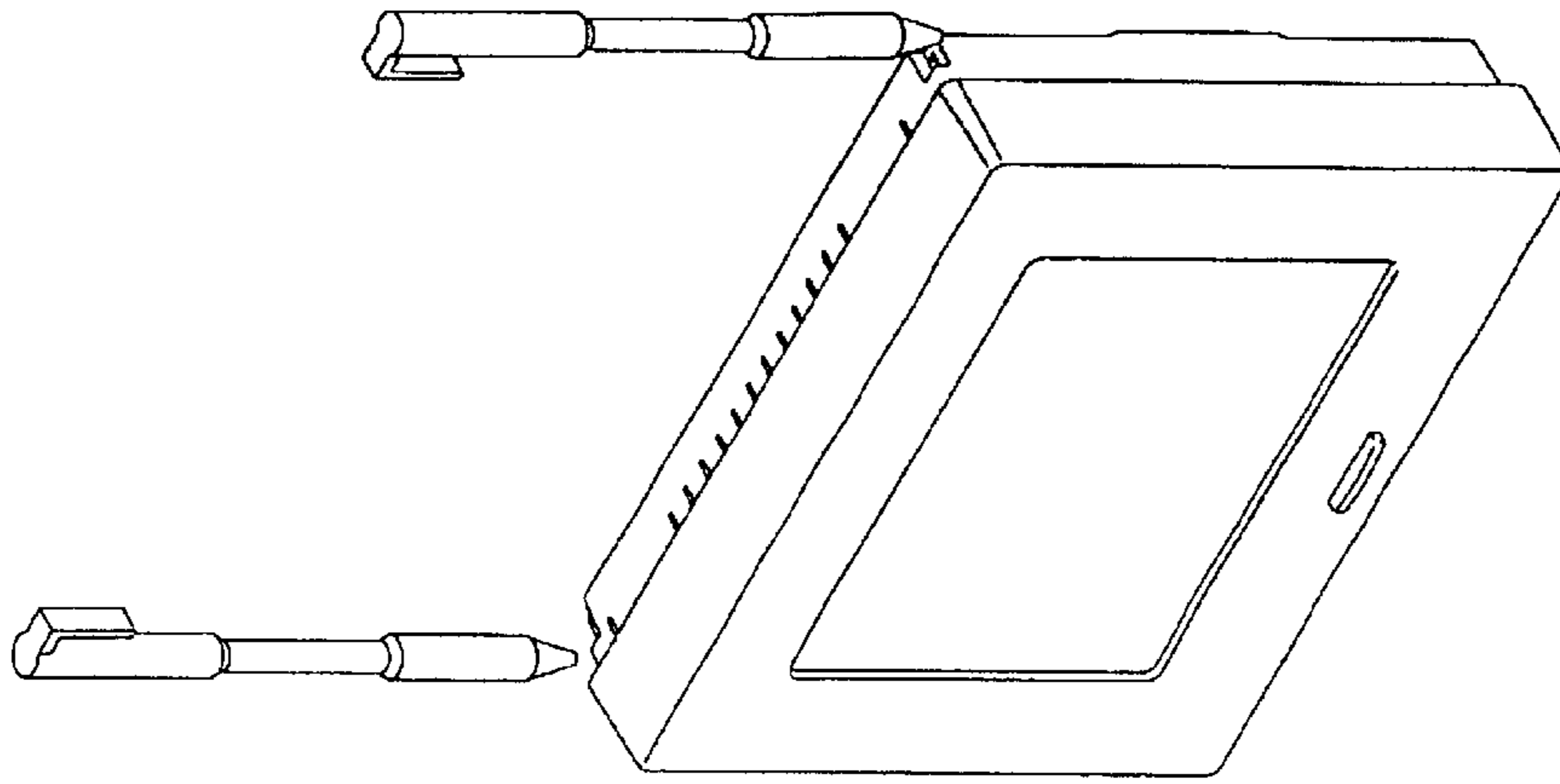


FIG. 1

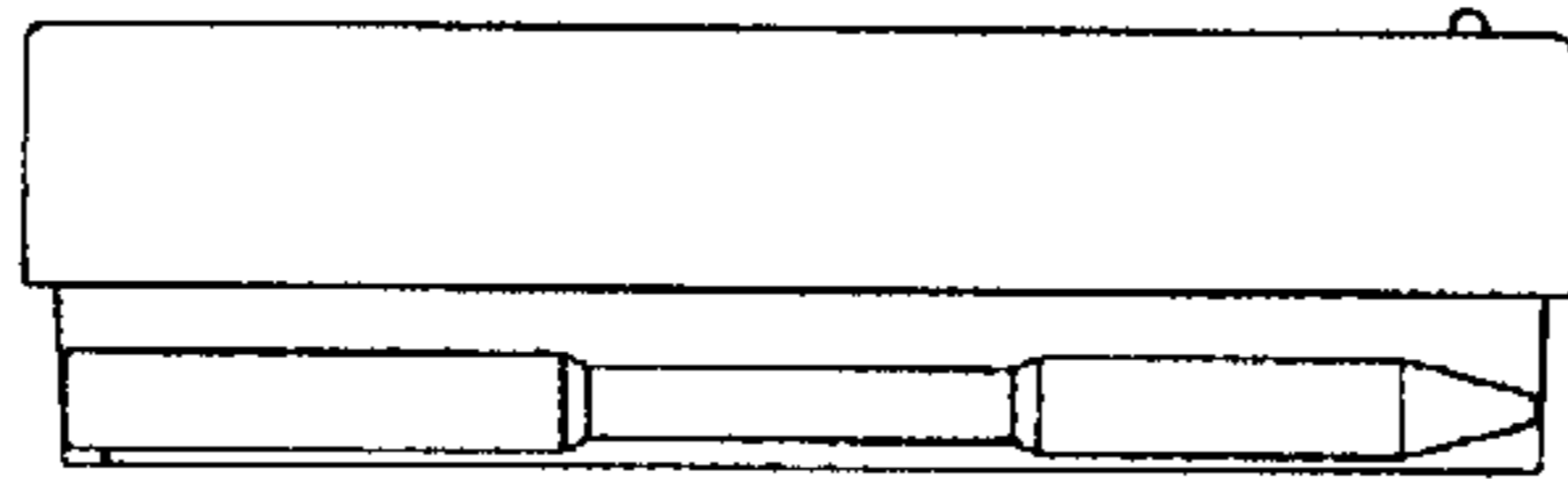


FIG. 3

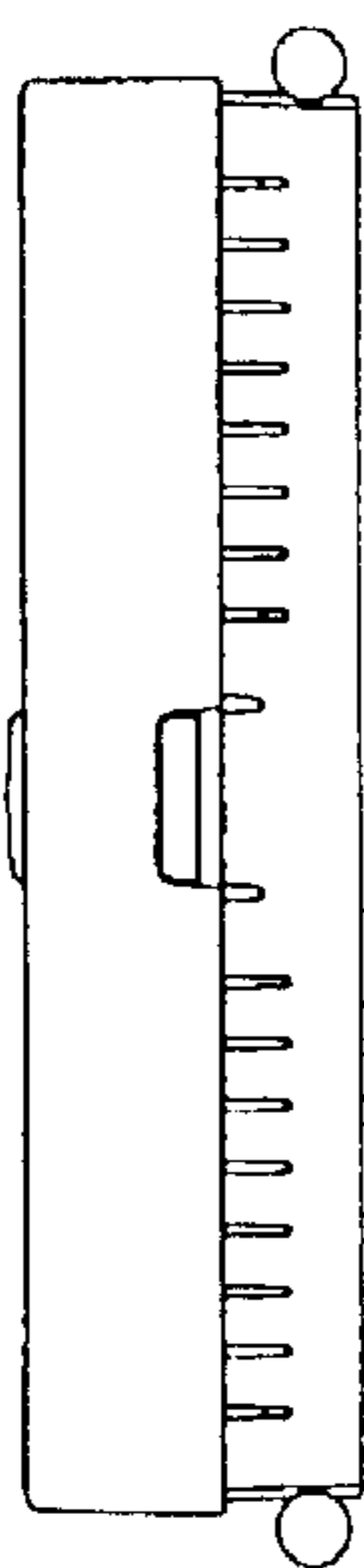


FIG. 5

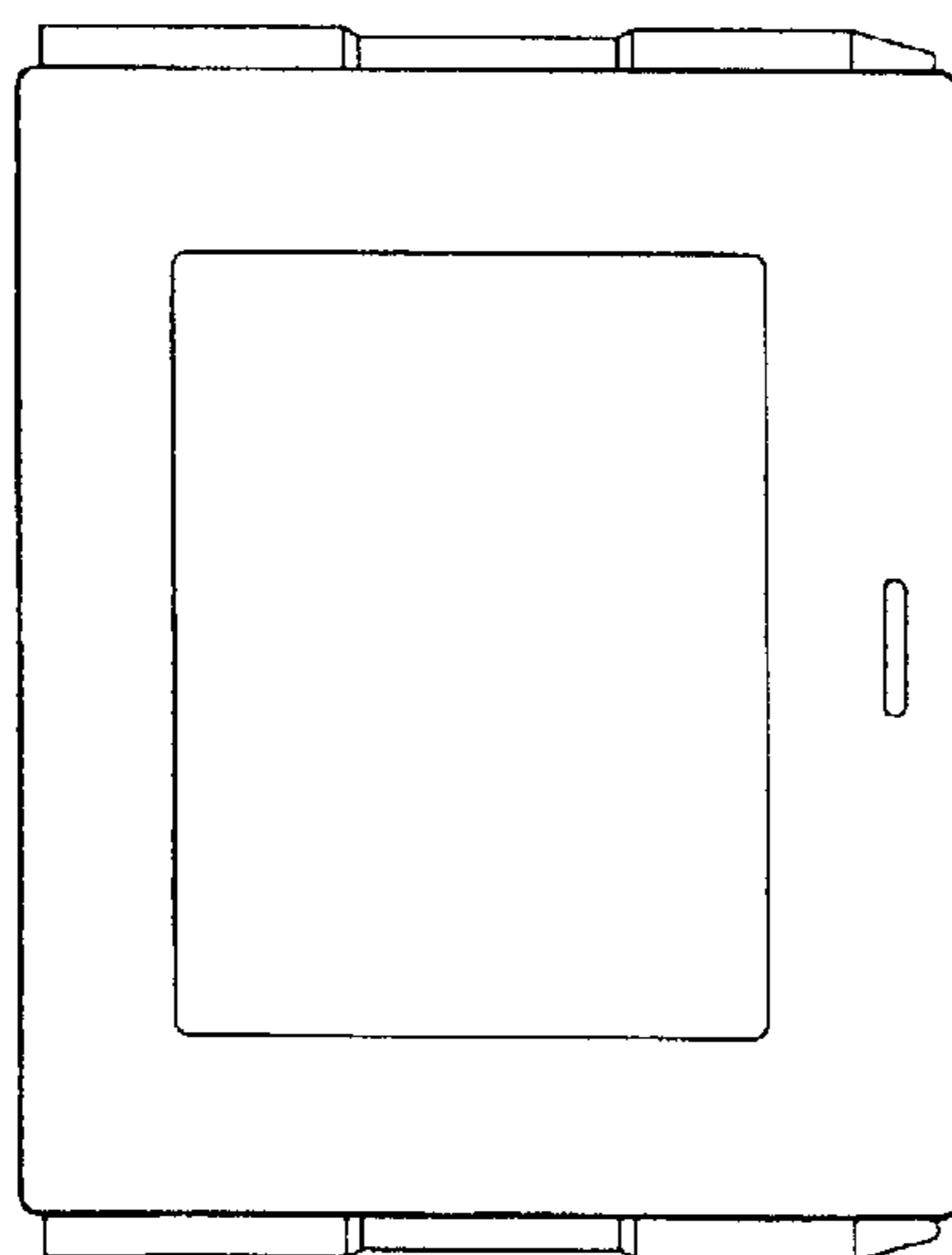


FIG. 2

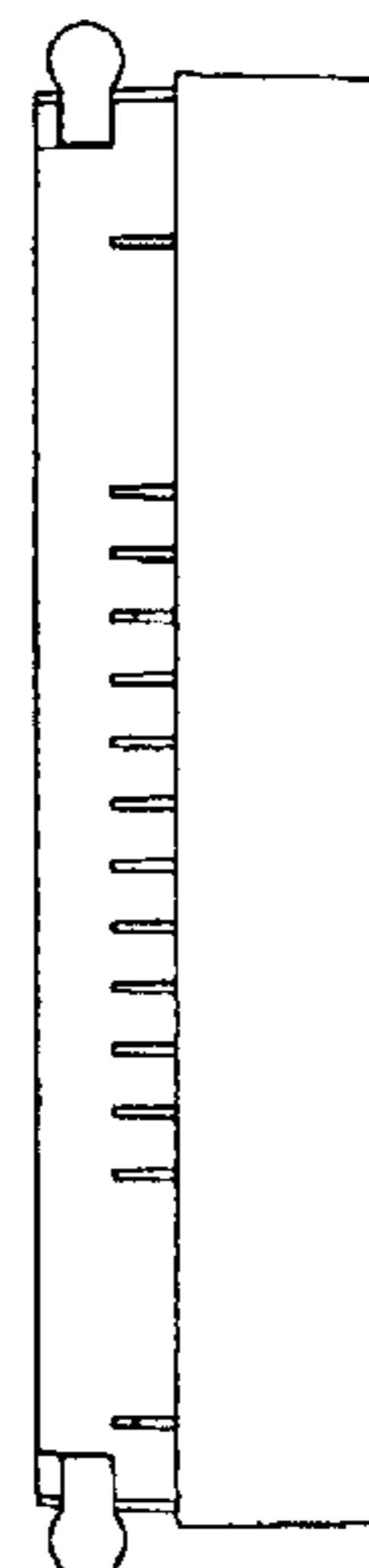


FIG. 4