

US00D494582S1

(12) **United States Design Patent**  
**Lancaster, Jr.**

(10) **Patent No.:** **US D494,582 S**  
(45) **Date of Patent:** **\*\* Aug. 17, 2004**

(54) **E-MAIL DEVICE**

6,563,914 B2 \* 5/2003 Sammon et al. .... 379/202.01  
6,600,750 B1 \* 7/2003 Joffe et al. .... 370/401

(76) **Inventor:** **Hazen G. Lancaster, Jr.**, P.O. Box  
5730, Cary, NC (US) 27512

\* cited by examiner

(\*\*) **Term:** **14 Years**

*Primary Examiner*—Freda S. Nunn  
(74) *Attorney, Agent, or Firm*—Nixon Peabody, LLP

(21) **Appl. No.:** **29/191,054**

(57) **CLAIM**

(22) **Filed:** **Oct. 2, 2003**

The ornamental design for an e-mail device, as shown and described.

(51) **LOC (7) Cl.** ..... **14-02**

(52) **U.S. Cl.** ..... **D14/335; D14/337; D14/334**

(58) **Field of Search** ..... **D14/302, 308,**  
**D14/314, 130, 146, 341, 333-337; D18/4.4-4.6;**  
**D20/10; 709/228; 370/352, 401; 455/461;**  
**312/258; 707/104.1; 379/202.01**

**DESCRIPTION**

FIG. 1 is a front perspective view of the e-mail device of the invention;  
FIG. 2 is a back perspective view thereof;  
FIG. 3 is a front view thereof;  
FIG. 4 is a top view thereof  
FIG. 5 is a bottom view thereof;  
FIG. 6 left side view thereof; and  
FIG. 7 is a right side view thereof; and,  
FIG. 8 is a perspective view thereof as it appears mounted in a booth of a type originally used for a pay telephone, the booth being illustrated in phantom as it forms no part of the instant invention.

(56) **References Cited**

**U.S. PATENT DOCUMENTS**

D333,672 S	*	3/1993	Minamizono	.....	D18/4.5
5,513,126 A	*	4/1996	Harkins et al.	.....	709/228
5,608,786 A	*	3/1997	Gordon	.....	370/352
5,742,905 A	*	4/1998	Pepe et al.	.....	455/461
D440,562 S	*	4/2001	Gottlieb et al.	.....	D14/341
6,289,326 B1	*	9/2001	LaFleur	.....	312/258
D471,192 S	*	3/2003	Lin et al.	.....	D14/335
6,557,009 B1	*	4/2003	Singer et al.	.....	707/104.1

**1 Claim, 3 Drawing Sheets**

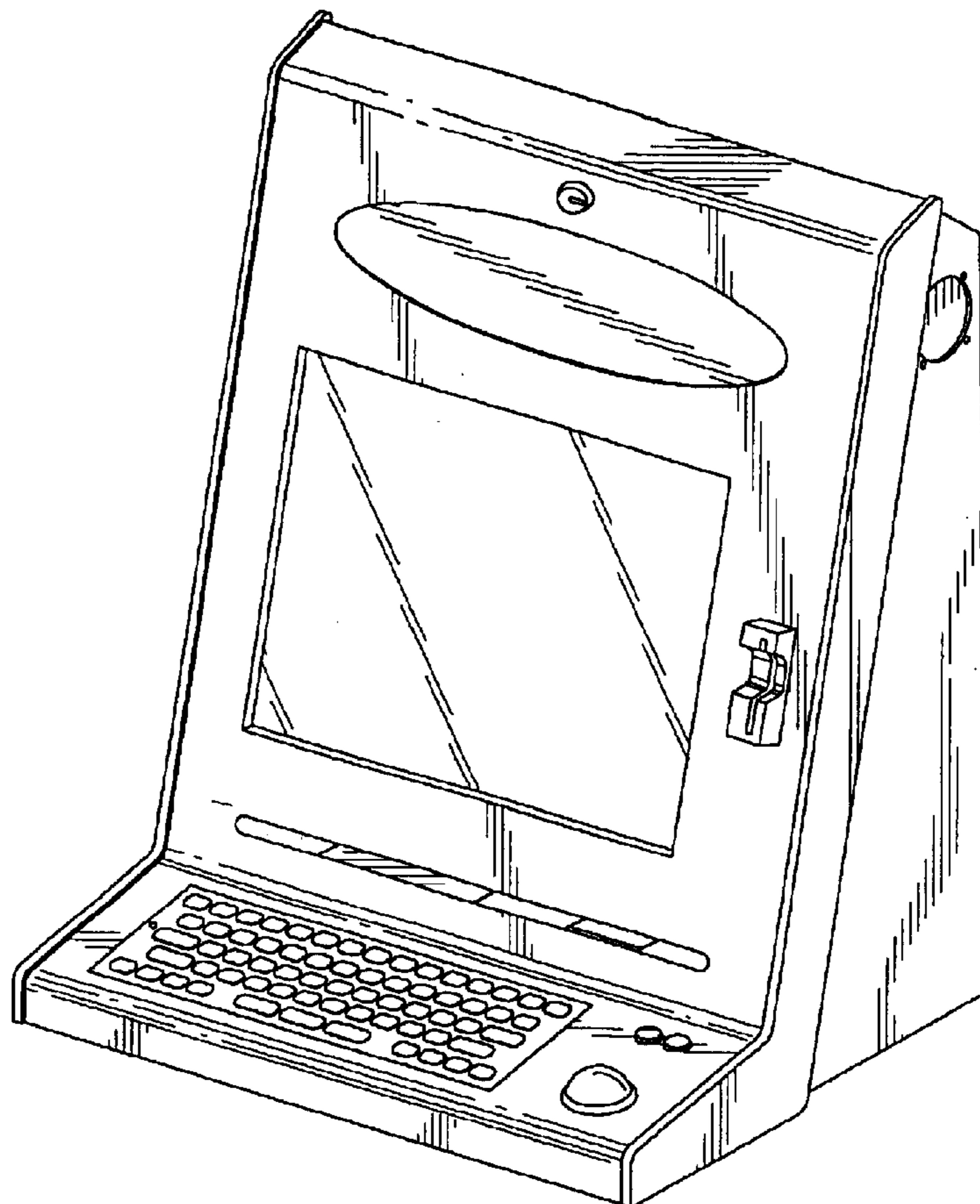


FIG.1

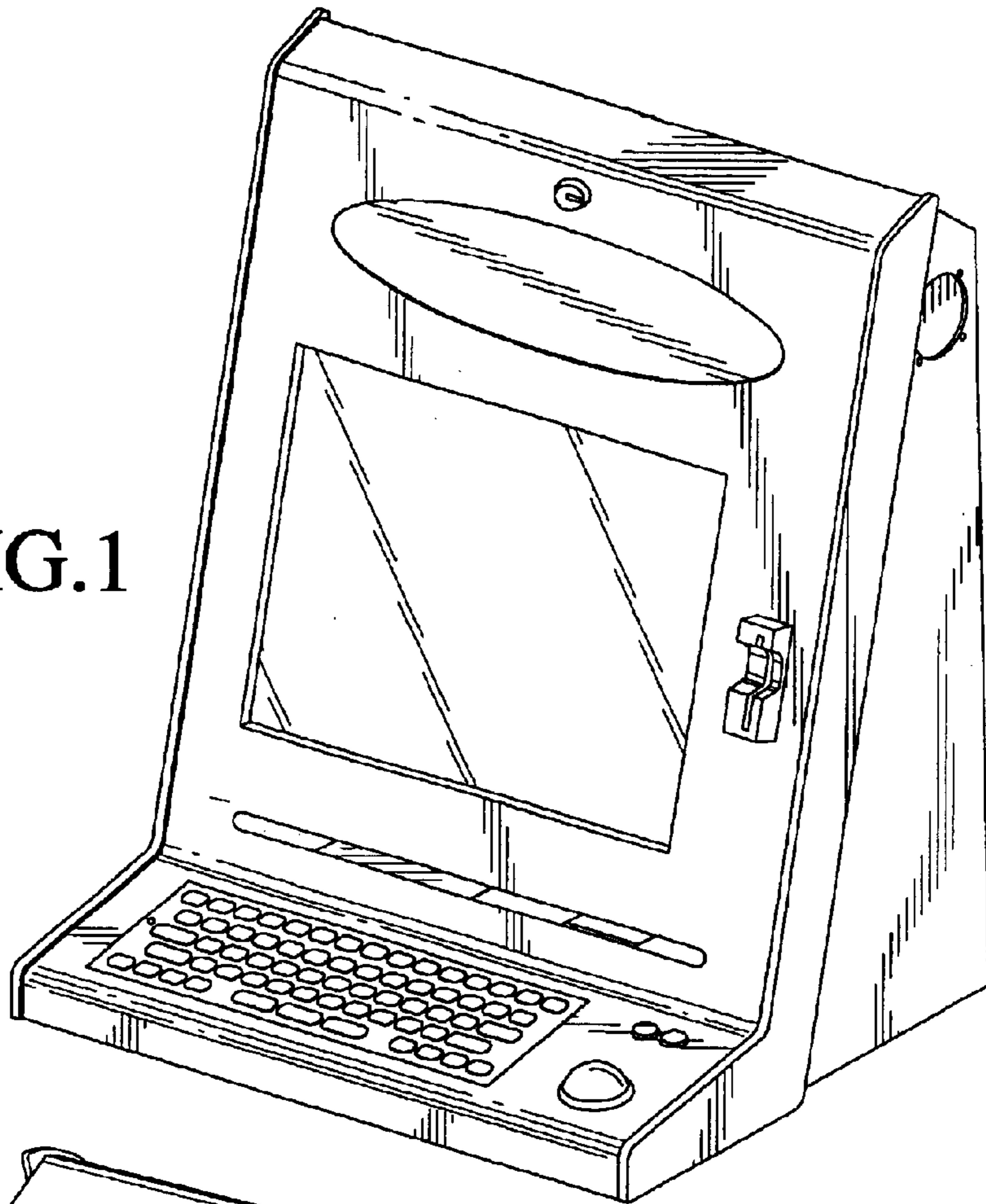
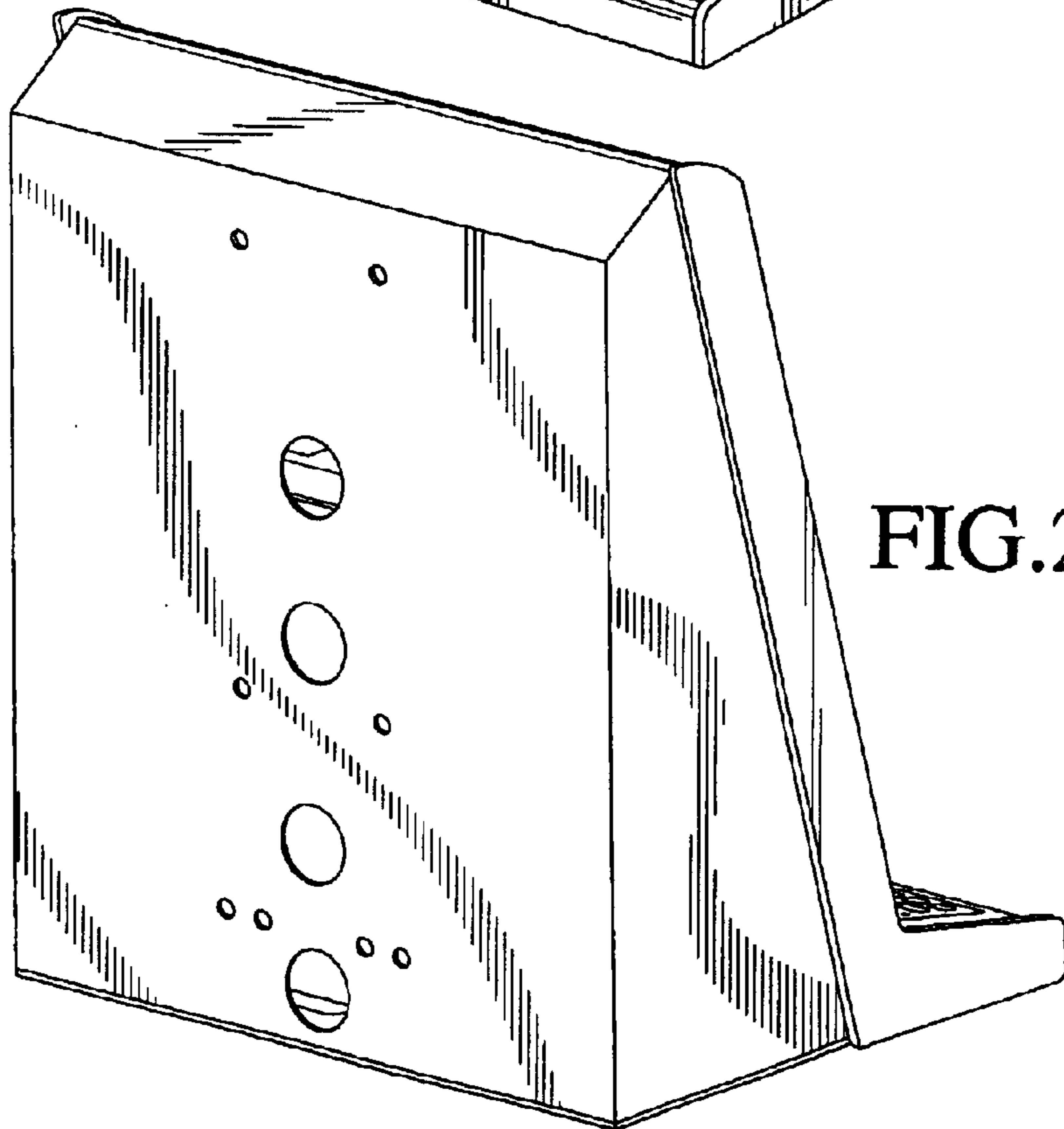


FIG.2



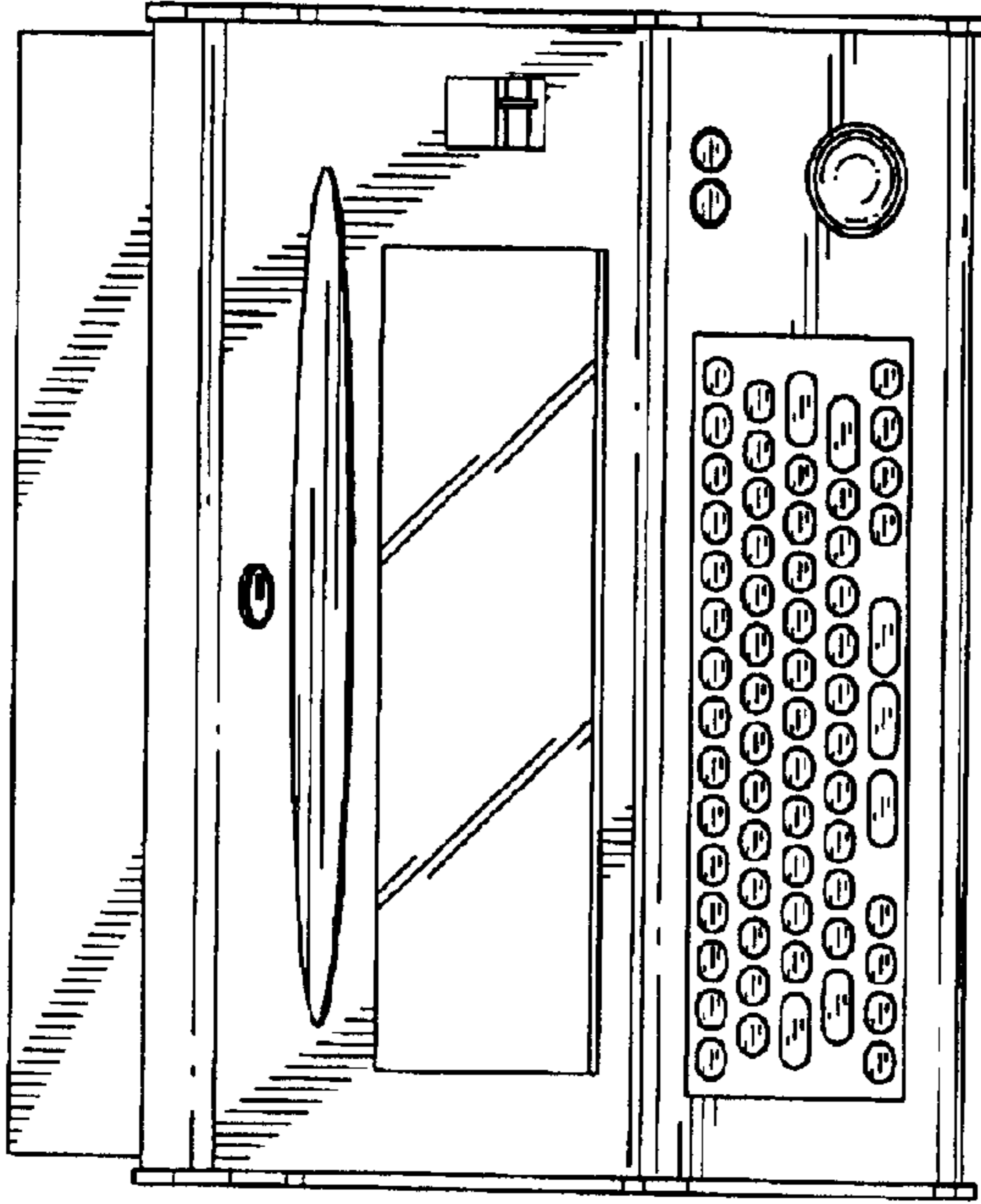


FIG. 4

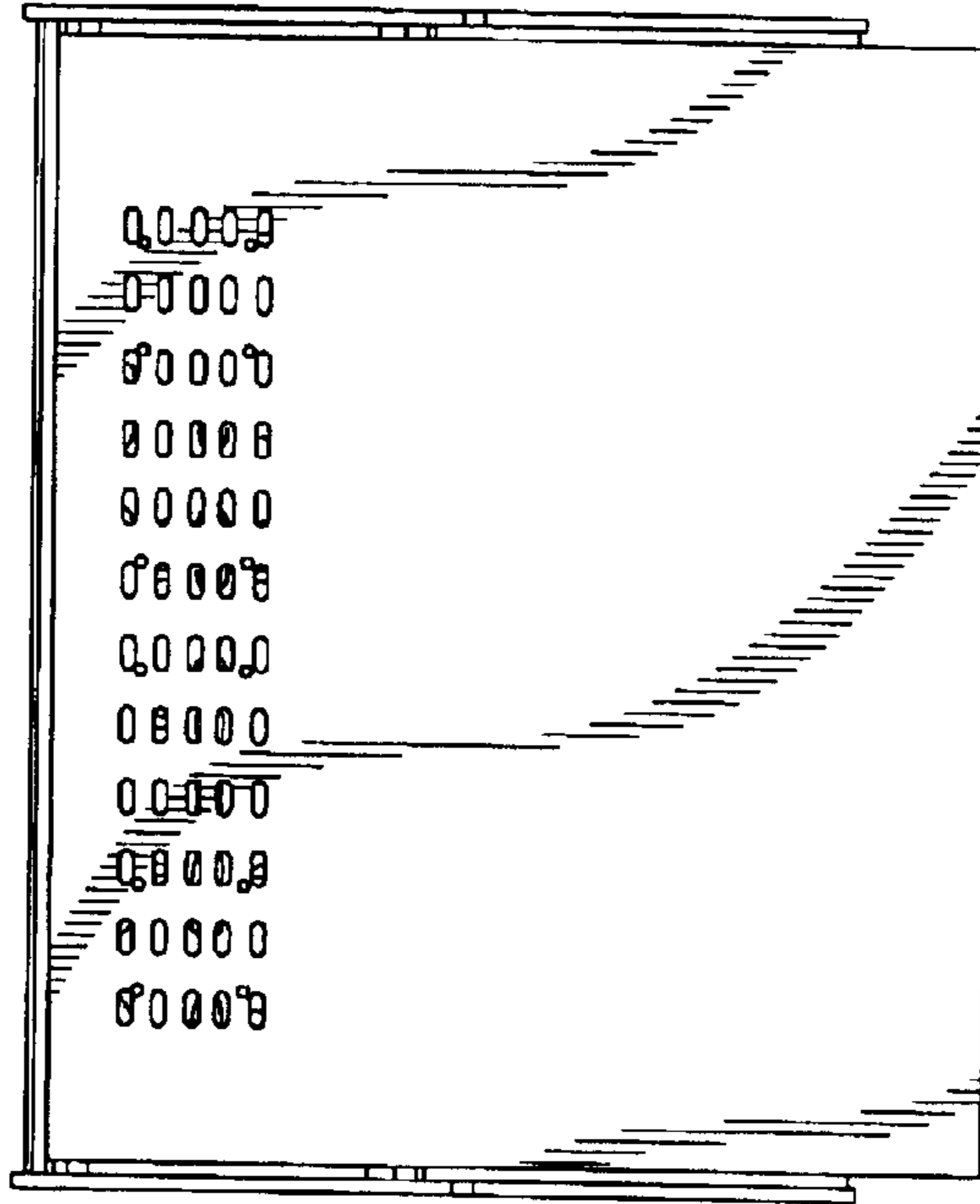
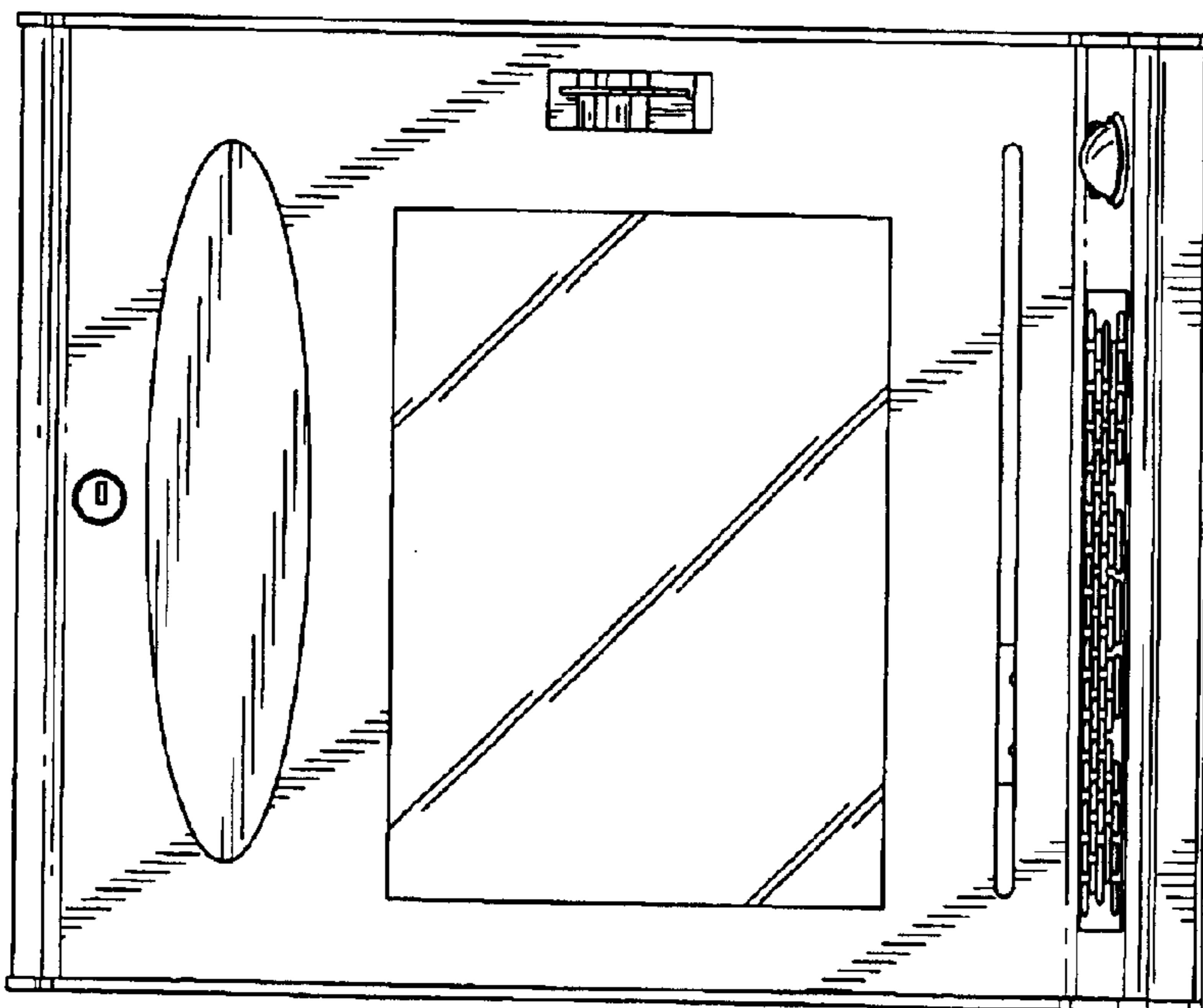


FIG. 5

FIG. 3



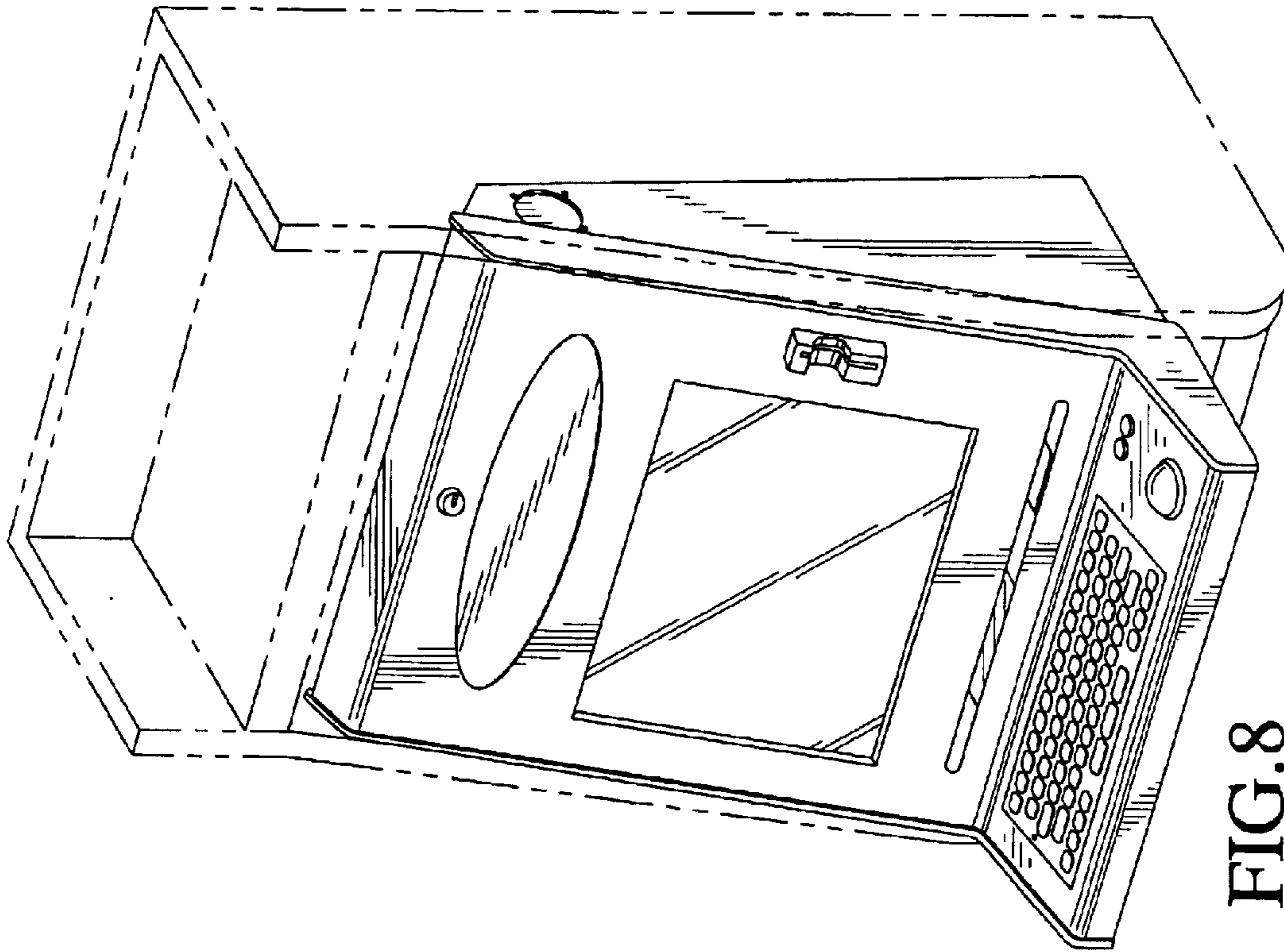


FIG. 8

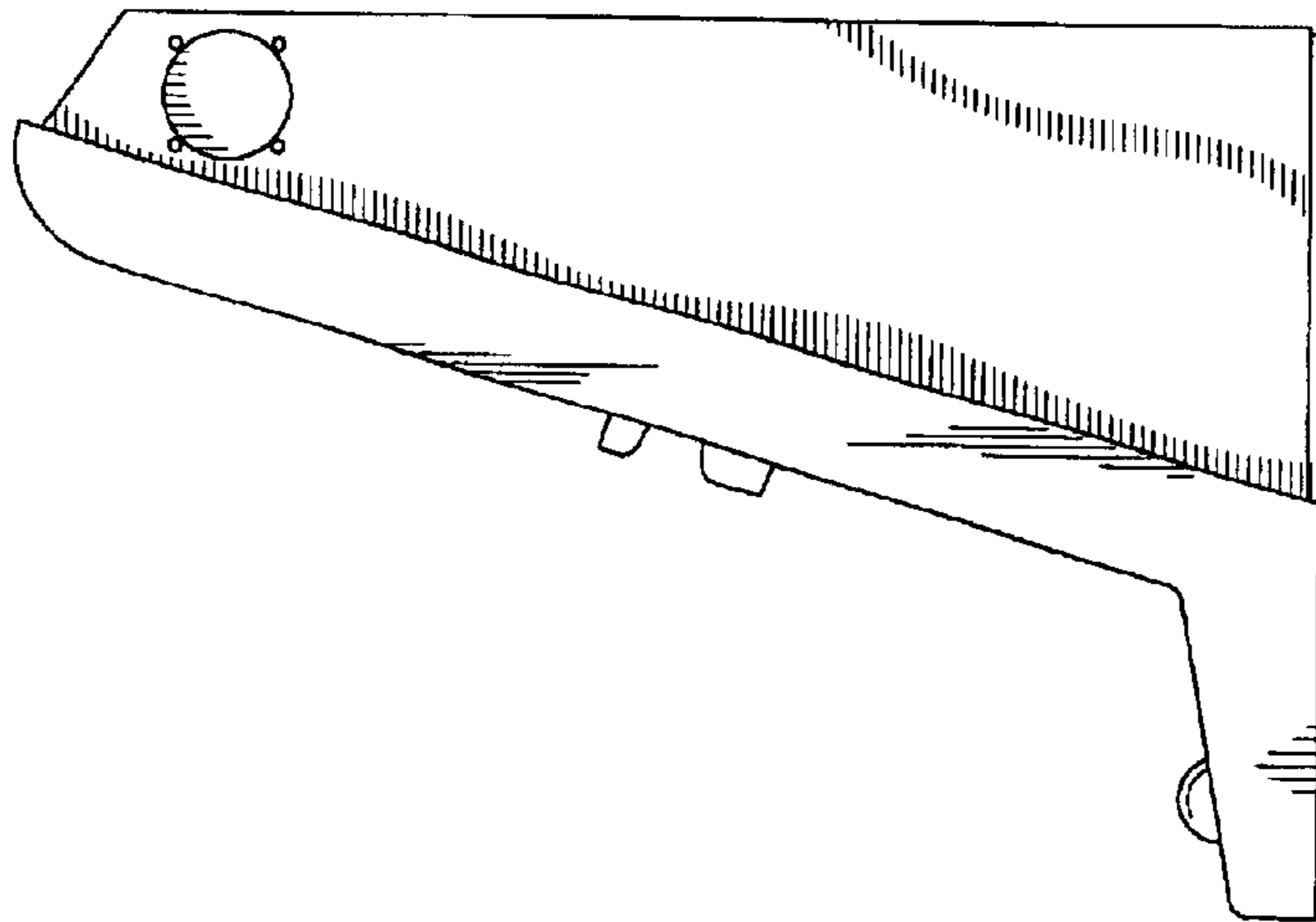


FIG. 7

FIG. 6

