

US00D494578S1

(12) **United States Design Patent**  
**Ritson et al.**

(10) **Patent No.: US D494,578 S**

(45) **Date of Patent: \*\* Aug. 17, 2004**

(54) **COMPUTER EQUIPMENT**

(75) Inventors: **Nigel D. Ritson**, Aldershot (GB); **Paul J. Garnett**, Camberley (GB); **Peter Heffernan**, Chandlers Ford (GB)

(73) Assignee: **Sun Microsystems, Inc.**, Santa Clara, CA (US)

(\*\*) Term: **14 Years**

(21) Appl. No.: **29/172,884**

(22) Filed: **Dec. 18, 2002**

(30) **Foreign Application Priority Data**

Jun. 18, 2002 (GB) ..... 3004563

(51) **LOC (7) Cl.** ..... **14-02**

(52) **U.S. Cl.** ..... **D14/313**

(58) **Field of Search** ..... D14/300-313,  
D14/348-356, 441, 444, 445, 446; 312/223.2;  
361/683, 684, 687, 690, 695, 724-730,  
796

(56) **References Cited**

**U.S. PATENT DOCUMENTS**

- 5,313,369 A \* 5/1994 Lewis et al. .... 361/796
- 5,816,673 A \* 10/1998 Sauer et al. .... 312/223.2
- 5,926,366 A \* 7/1999 Collins et al. .... 361/685
- 5,995,377 A \* 11/1999 Tusler et al. .... 361/796
- 6,052,278 A \* 4/2000 Tanzer et al. .... 361/685

- 6,097,200 A \* 8/2000 Turlapaty et al. .... 324/760
- 6,282,087 B1 \* 8/2001 Gibbons et al. .... 361/685
- 6,473,300 B1 \* 10/2002 Youngquist et al. .... 361/685
- 6,498,723 B1 \* 12/2002 Konshak et al. .... 361/685
- 2002/0199048 A1 \* 12/2002 Rabinovitz ..... 710/100
- 2003/0030977 A1 \* 2/2003 Garnett et al. .... 361/687

\* cited by examiner

*Primary Examiner*—Joel Sincavage

(74) *Attorney, Agent, or Firm*—Meyertons Hood Kivlin Kowert & Goetzel, P.C.; B. Noël Kivlin

(57) **CLAIM**

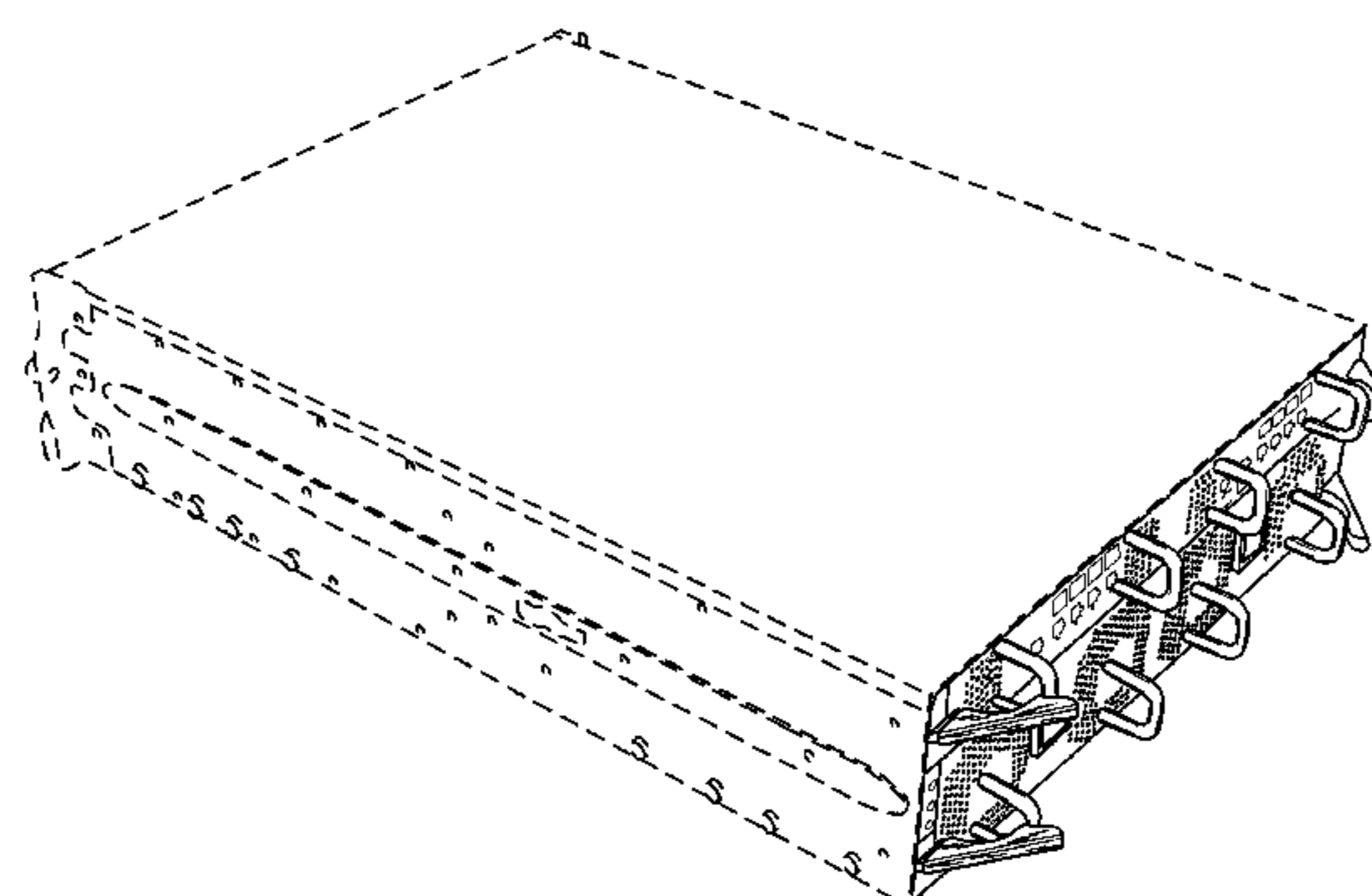
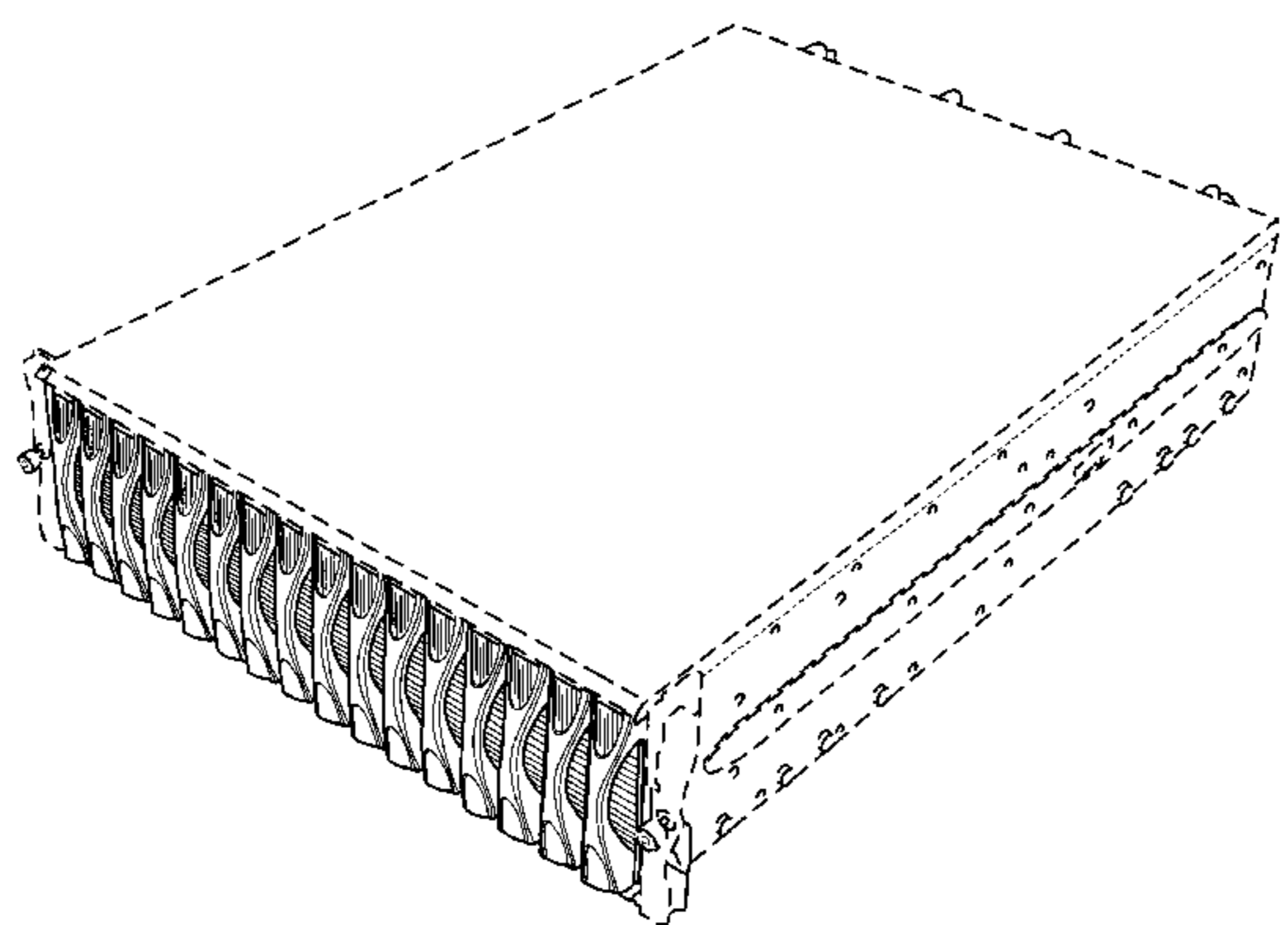
The ornamental design for computer equipment, as shown and described.

**DESCRIPTION**

FIG. 1 is a front perspective view from above and the left side of the computer equipment showing our design;  
 FIG. 2 is a rear perspective view from above and the left side thereof;  
 FIG. 3 is a top view thereof;  
 FIG. 4 is bottom view thereof;  
 FIG. 5 is a front view thereof;  
 FIG. 6 is a rear view thereof;  
 FIG. 7 is a right side view thereof; and,  
 FIG. 8 is a left side view thereof.

The broken lines throughout the drawing figures are included for the purpose of illustrating portions of the equipment that form no part of the claimed design.

**1 Claim, 3 Drawing Sheets**



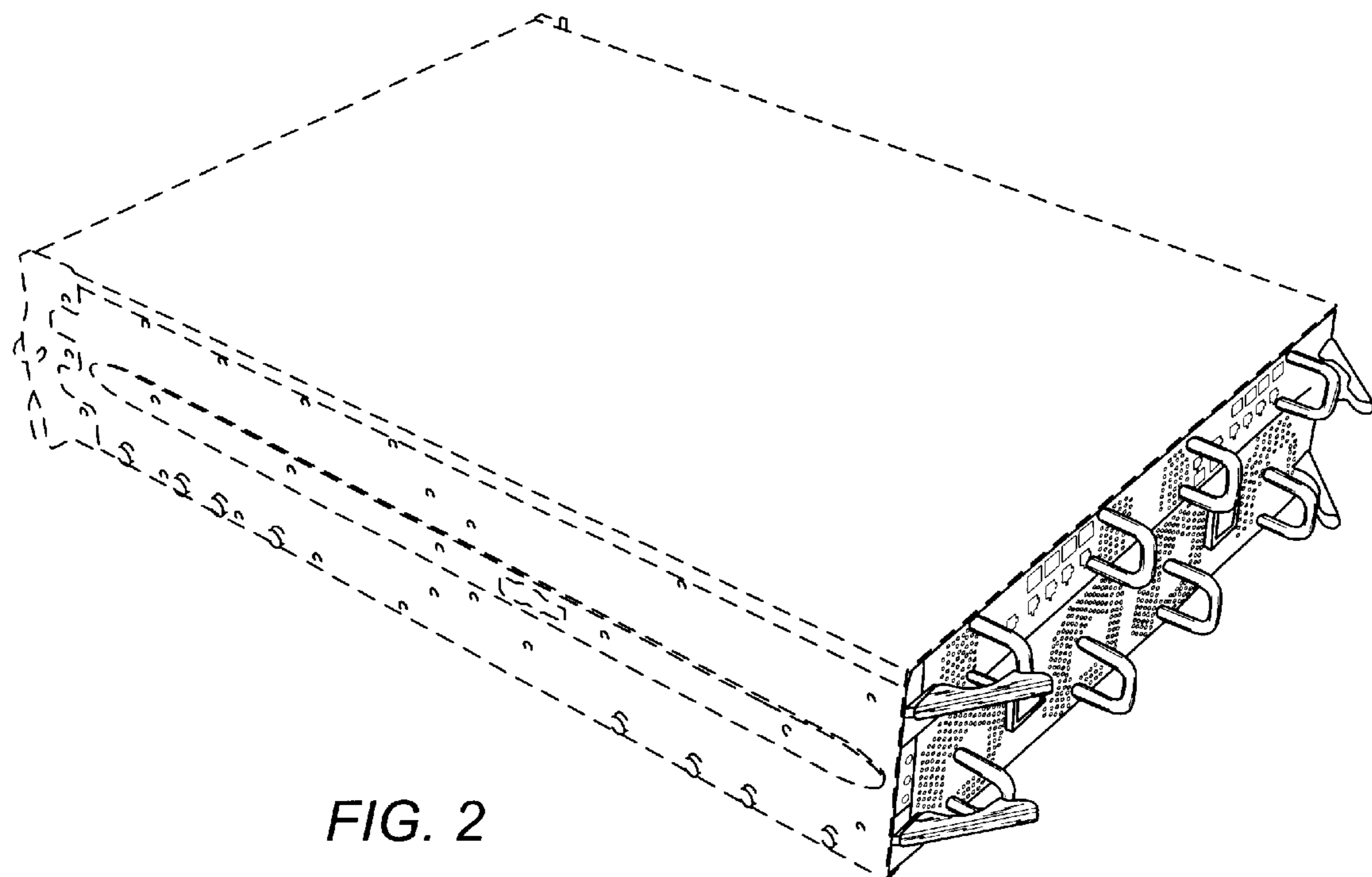
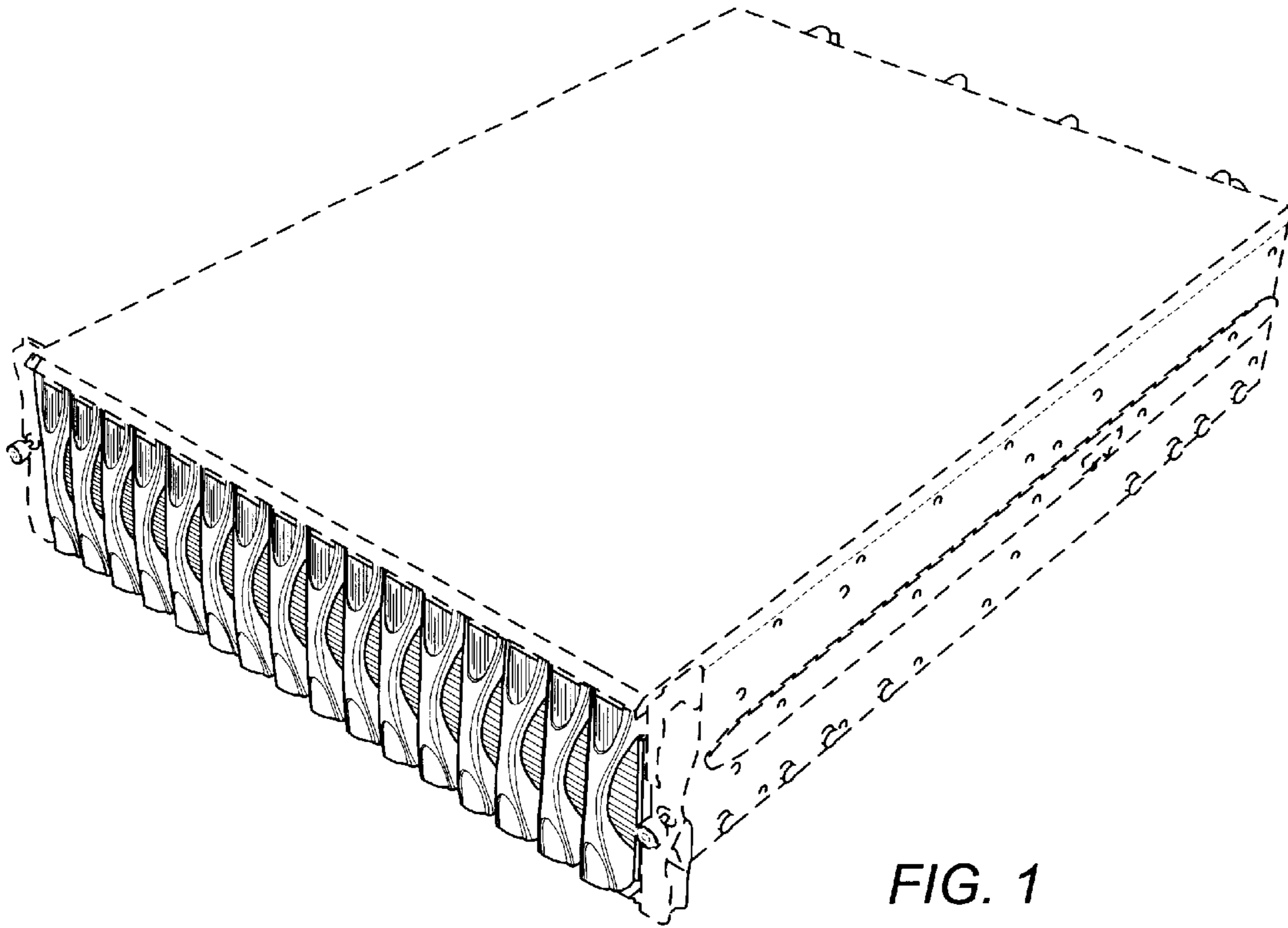




FIG. 3

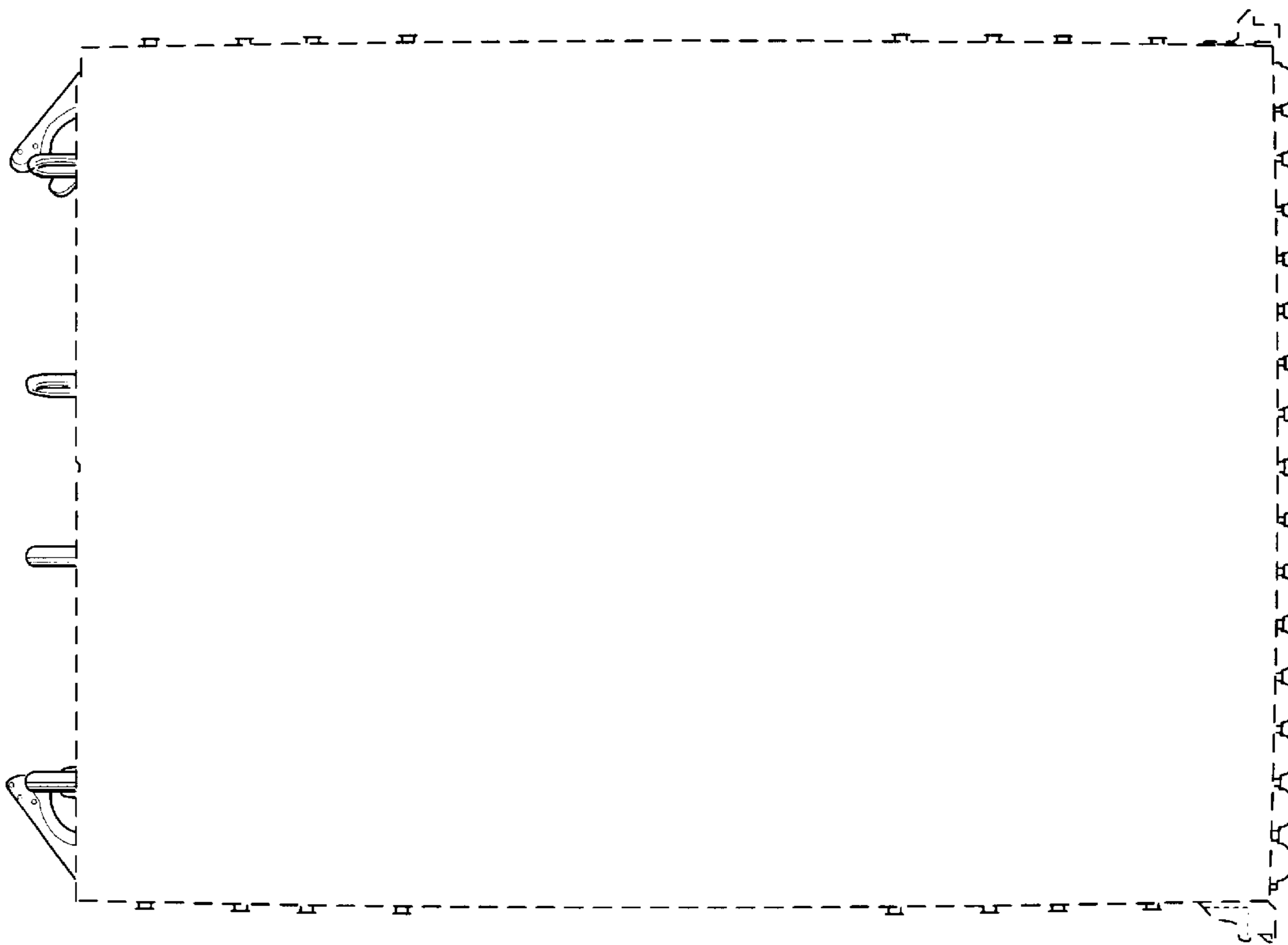


FIG. 4

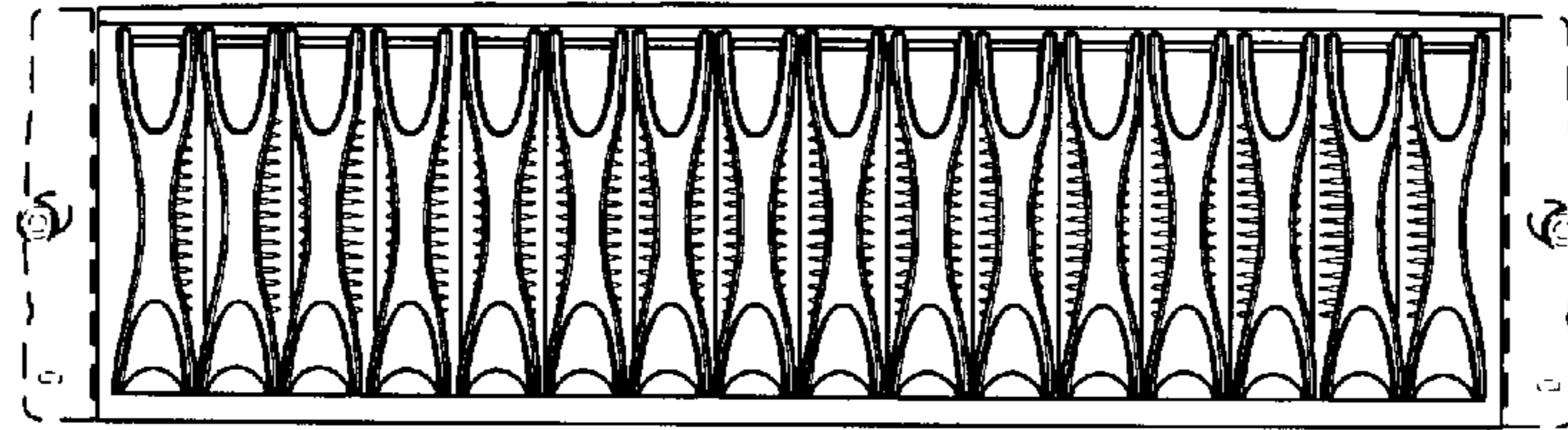


FIG. 5

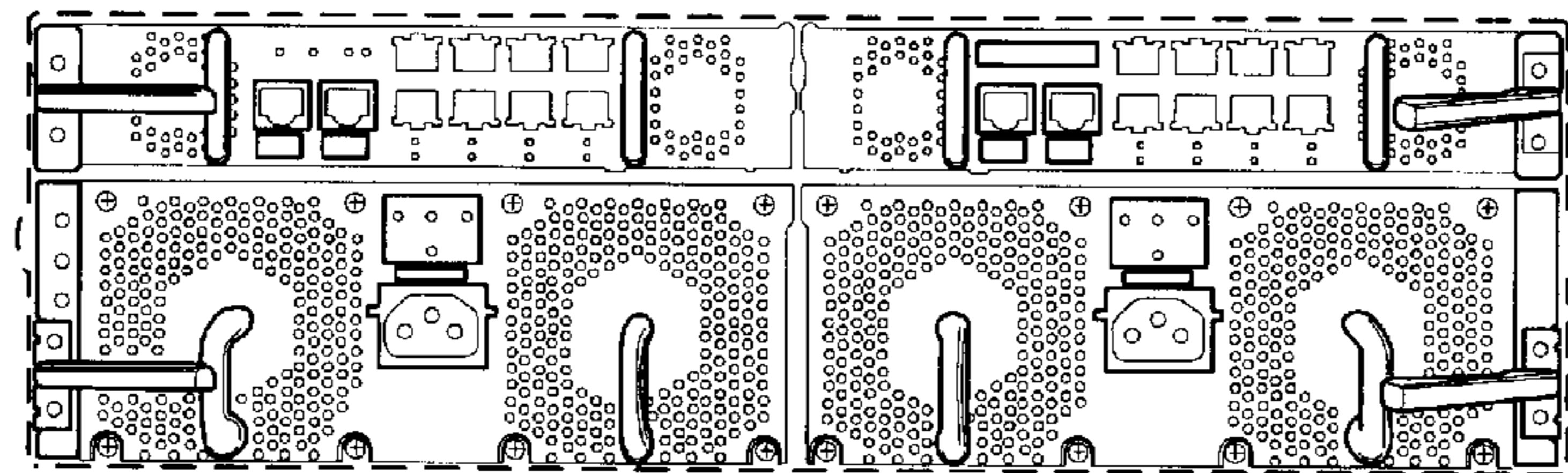


FIG. 6

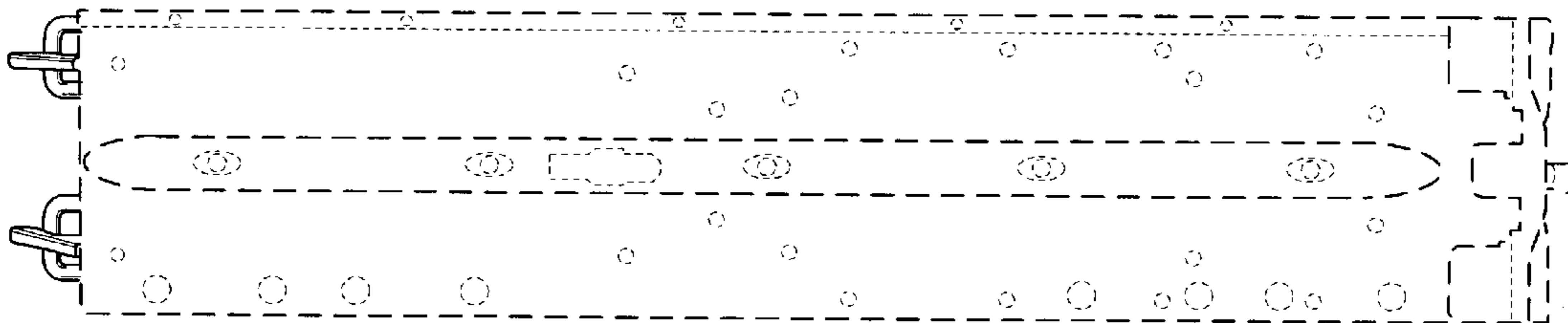


FIG. 7

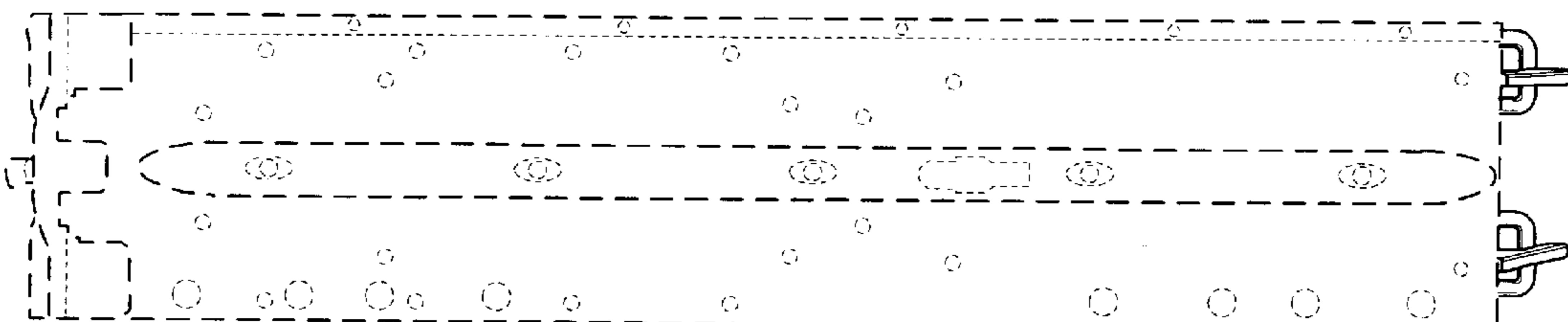


FIG. 8