



US00D494577S1

(12) **United States Design Patent**  
**Burk et al.**

(10) **Patent No.:** **US D494,577 S**  
(45) **Date of Patent:** **\*\* Aug. 17, 2004**

(54) **FACE PLATE FOR A MULTI-MEDIA MULTI-ZONE INTERFACE**

*Primary Examiner*—Nanda Bondade  
(74) *Attorney, Agent, or Firm*—Kilpatrick Stockton LLP

(75) **Inventors:** **Mike T. Burk**, Peachtree City, GA (US); **Jerry A. Rathje**, Peachtree City, GA (US); **Daisuke Iino**, Peachtree City, GA (US); **Larry Craig**, Plymouth, MI (US)

(57) **CLAIM**

The ornamental design for a face plate for a multi-media multi-zone interface, as shown and described.

(73) **Assignee:** **Matsushita Electric Corporation of America**, Secaucus, NJ (US)

**DESCRIPTION**

(\*\*) **Term:** **14 Years**

FIG. 1 is a perspective view of the face plate for a multi-media multi-zone interface showing our new design.

(21) **Appl. No.:** **29/194,141**

FIG. 2 is a front view of the face plate for a multi-media multi-zone interface of FIG. 1.

(22) **Filed:** **Nov. 18, 2003**

(51) **LOC (7) Cl.** ..... **14-01**

FIG. 3 is a bottom view of the face plate for a multi-media multi-zone interface of FIG. 1.

(52) **U.S. Cl.** ..... **D14/257**

(58) **Field of Search** ..... D14/135-136,  
D14/160-168, 188, 197-198, 156-157,  
257, 258; 455/100, 344, 346-351; 369/75.1,  
75.2, 77.2

FIG. 4 is a right side view of the face plate for a multi-media multi-zone interface of FIG. 1.

(56) **References Cited**

**U.S. PATENT DOCUMENTS**

5,363,122	A	*	11/1994	Suenaga et al.	.....	455/346
D389,841	S	*	1/1998	Tokiyama et al.	.....	D14/258
5,862,468	A	*	1/1999	Kim	.....	369/75.1
D475,690	S	*	6/2003	Nose et al.	.....	D14/157

FIG. 5 is a top view of the face plate for a multi-media multi-zone interface of FIG. 1; and,

**OTHER PUBLICATIONS**

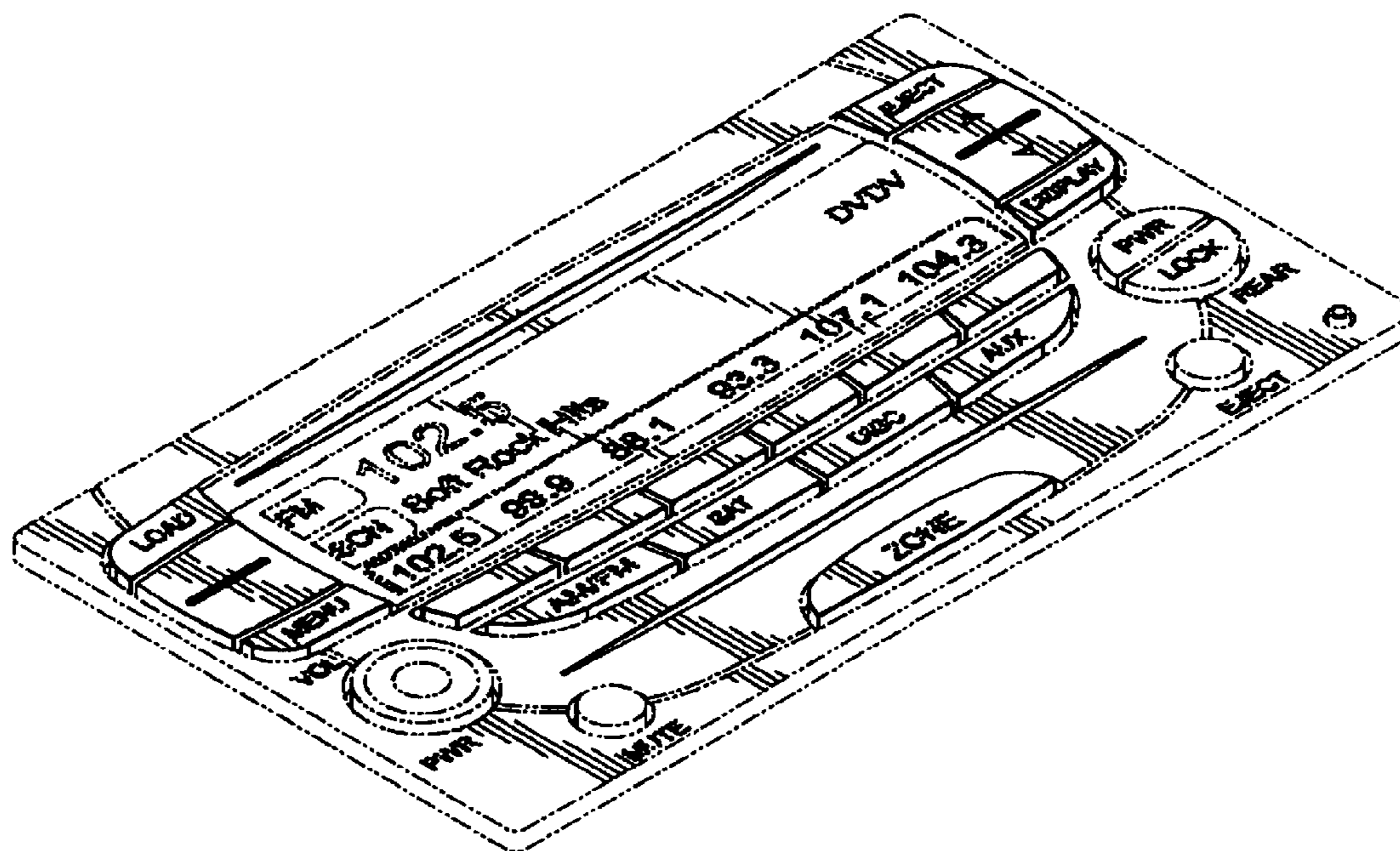
Honda Odessey 2002 Owner's Manual, "Rear Entertainment System: Operating the DVD Player from the Front Control Panel," Comfort and Convenience Features, p. 208.

FIG. 6 is a left side view of the face plate for a multi-media multi-zone interface of FIG. 1.

The broken lines define the bounds of the claimed design and form no part thereof. The remaining elements shown in broken lines are for illustrative purposes only and form no part of the claimed design.

\* cited by examiner

**1 Claim, 4 Drawing Sheets**



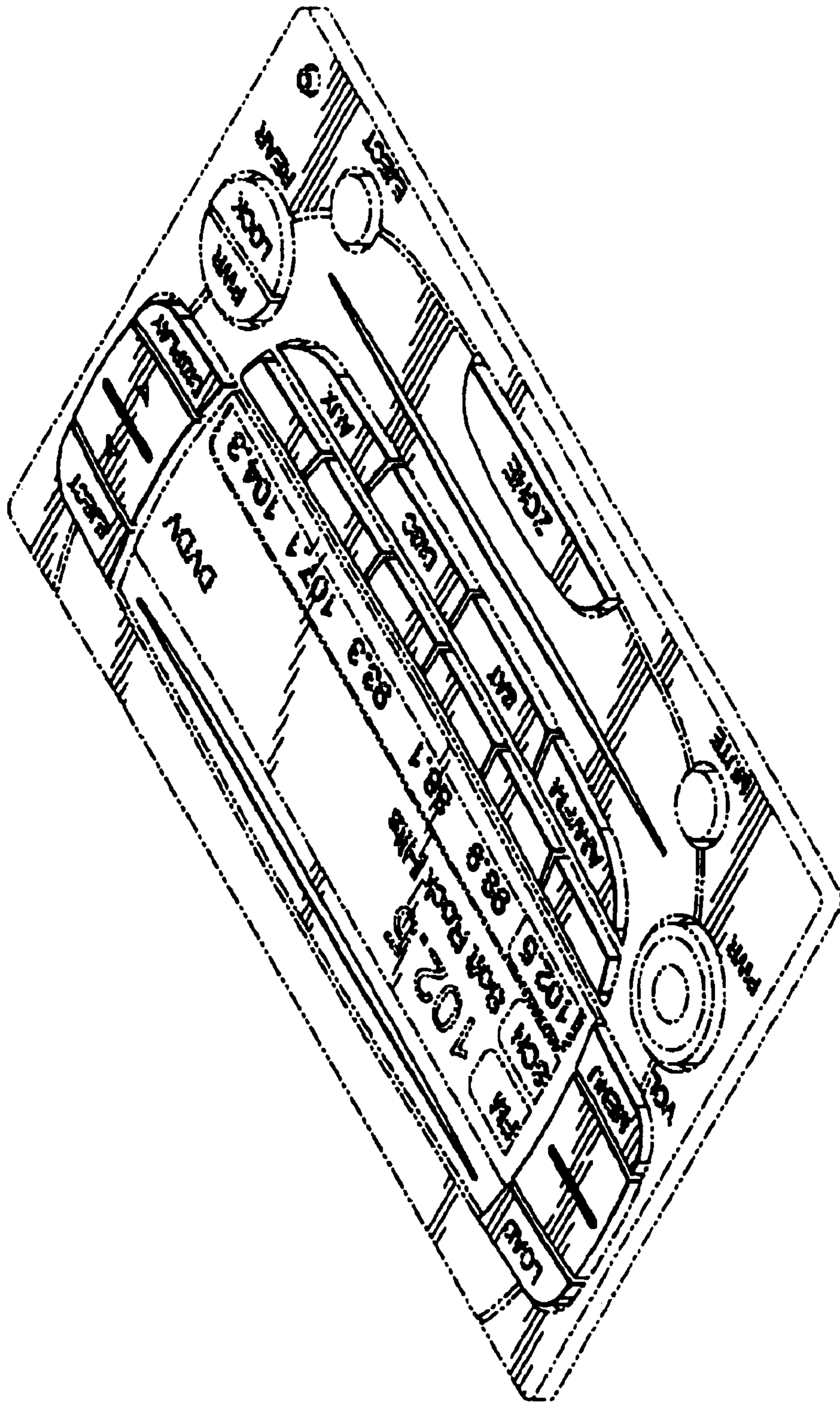


FIG. 1

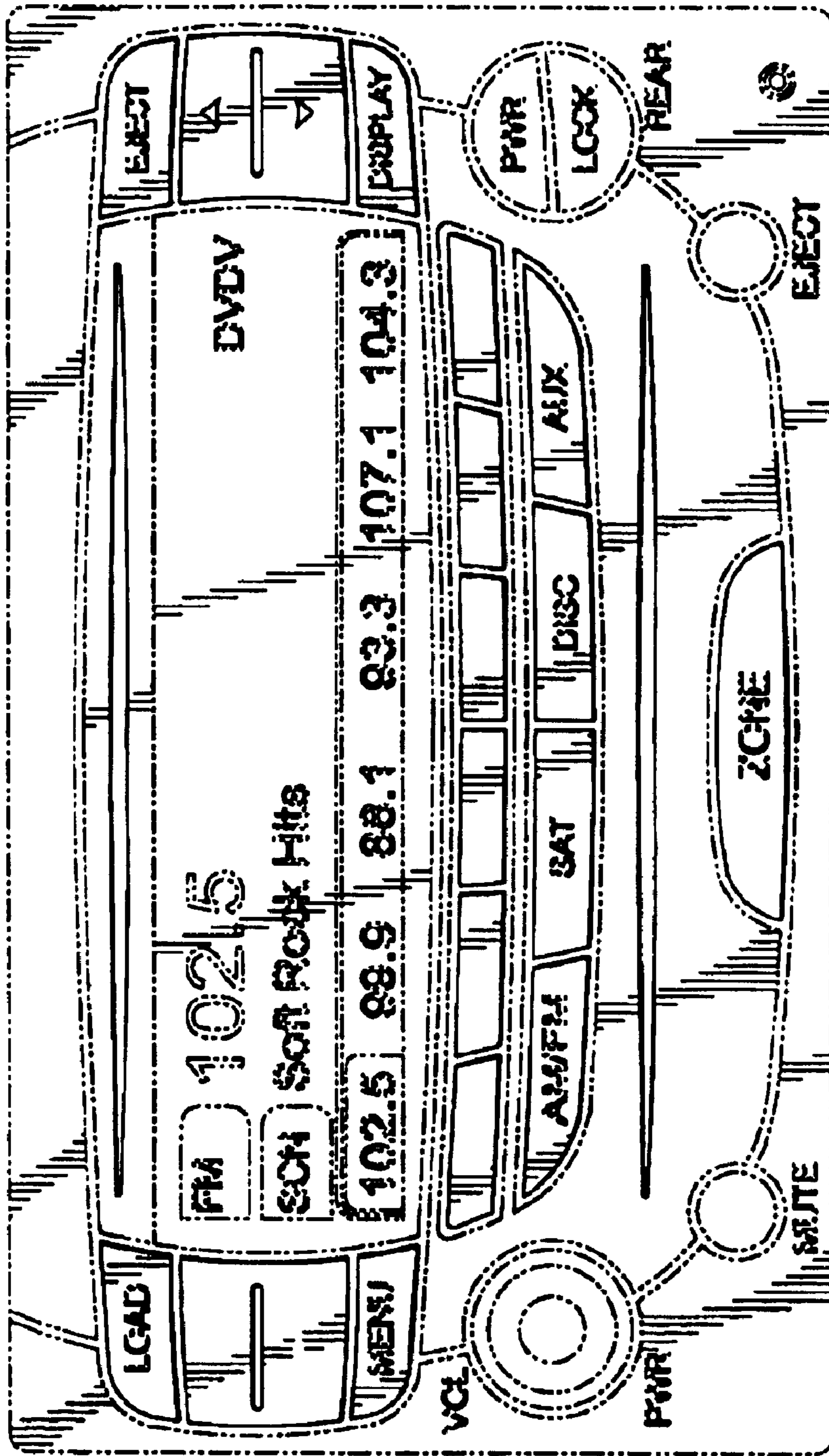


FIG. 2



FIG. 3



FIG. 5



FIG. 6



FIG. 4