

US00D494575S1

(12) **United States Design Patent** (10) **Patent No.:** **US D494,575 S**
Wikel et al. (45) **Date of Patent:** **** Aug. 17, 2004**

(54) **COMMUNICATION DEVICE**

(75) Inventors: **Harold L. Wikel**, Muskego, WI (US);
Jon Godston, Cusago (IT)

(73) Assignee: **Motorola, Inc.**, Schaumburg, IL (US)

(**) Term: **14 Years**

(21) Appl. No.: **29/190,143**

(22) Filed: **Sep. 16, 2003**

(51) **LOC (7) Cl.** **14-03**

(52) **U.S. Cl.** **D14/240**

(58) **Field of Search** D14/240, 242,
D14/243, 248, 256, 299; 455/151.1-151.4,
569.1-569.2; D13/147, 168; 379/418

(56) **References Cited**

U.S. PATENT DOCUMENTS

6,085,113	A	*	7/2000	Fan	455/569.1
6,341,218	B1	*	1/2002	Poplawsky et al.	455/569.1
6,397,087	B1	*	5/2002	Kim et al.	455/569.1
D460,443	S	*	7/2002	Brunner et al.	D14/240
D463,410	S	*	9/2002	Strand et al.	D14/240
D471,535	S	*	3/2003	Bey	D14/218
6,560,469	B1	*	5/2003	Kim et al.	455/569.1
D478,576	S	*	8/2003	Leong	D14/240
D478,578	S	*	8/2003	Hao	D14/240
6,636,749	B2	*	10/2003	Holmes et al.	455/569.2
D486,819	S	*	2/2004	Wilson	D14/240

* cited by examiner

Primary Examiner—Charles A. Rademaker

(74) *Attorney, Agent, or Firm*—Lawrence Chapa

(57) **CLAIM**

The ornamental design for a communication device, as illustrated and described.

DESCRIPTION

FIG. 1 is a perspective view of a Communication Device in a closed position showing our new design;

FIG. 2 is a left side elevation thereof;

FIG. 3 is a front elevation thereof;

FIG. 4 is a bottom plan view thereof;

FIG. 5 is a top plan view thereof;

FIG. 6 is a right side elevation thereof;

FIG. 7 is a rear elevation thereof;

FIG. 8 is a perspective view of the design shown in FIGS. 1-7 shown in an open position;

FIG. 9 is a left side elevation thereof;

FIG. 10 is a front elevation thereof;

FIG. 11 is a bottom plan view thereof;

FIG. 12 is a top plan view thereof;

FIG. 13 is a right side elevation thereof;

FIG. 14 is a rear elevation thereof;

FIG. 15 is a perspective view of a modified embodiment of the design shown in FIGS. 1-14 in a closed position;

FIG. 16 is a left elevation thereof;

FIG. 17 is a front elevation thereof;

FIG. 18 is a bottom plan view thereof;

FIG. 19 is a top plan view thereof;

FIG. 20 is a right side elevation thereof;

FIG. 21 is rear elevation thereof;

FIG. 22 is a perspective view of the design shown in FIGS. 15-21 in an open position;

FIG. 23 is a left side elevation thereof;

FIG. 24 is a front elevation thereof;

FIG. 25 is a bottom plan view thereof;

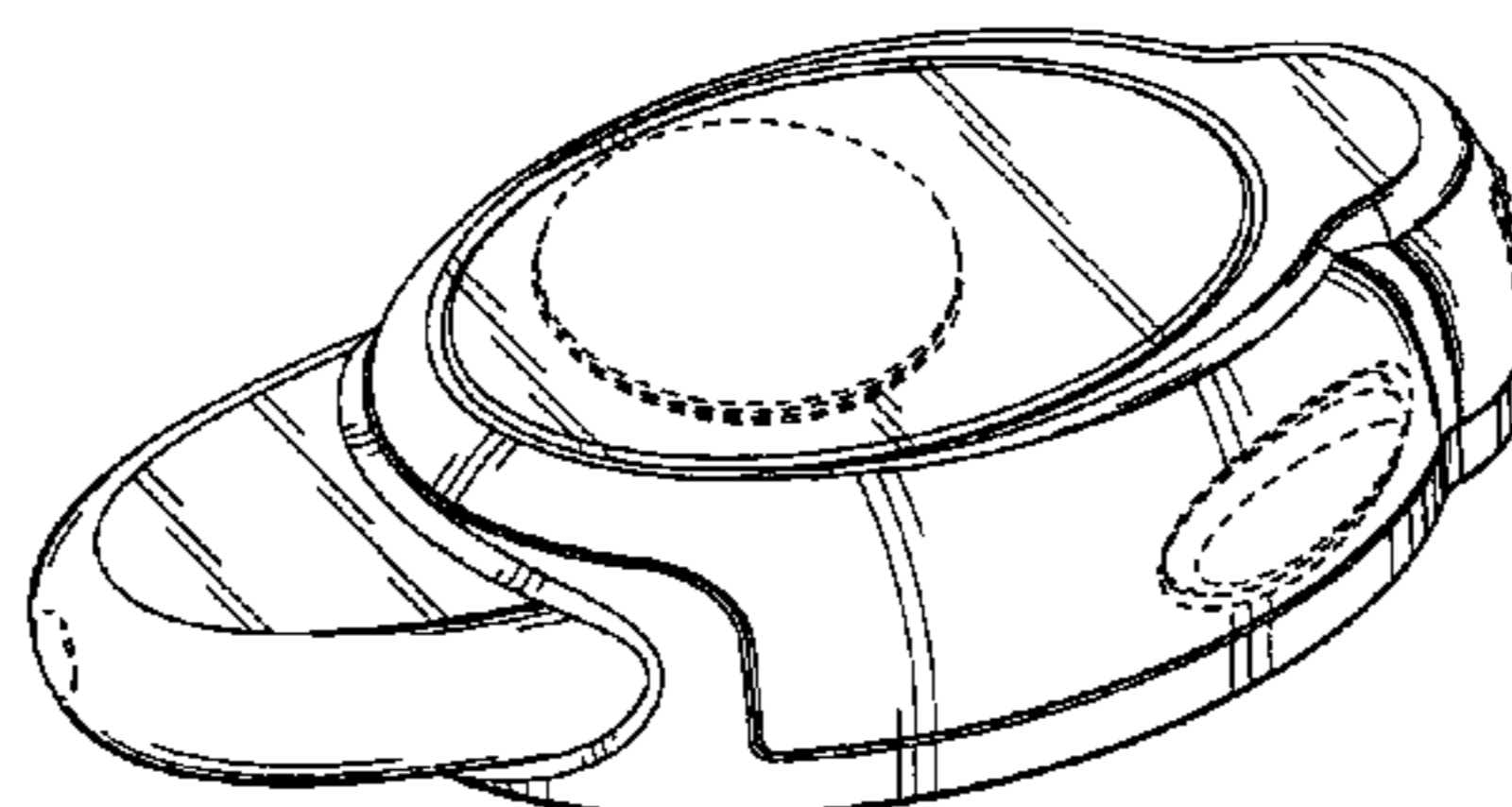
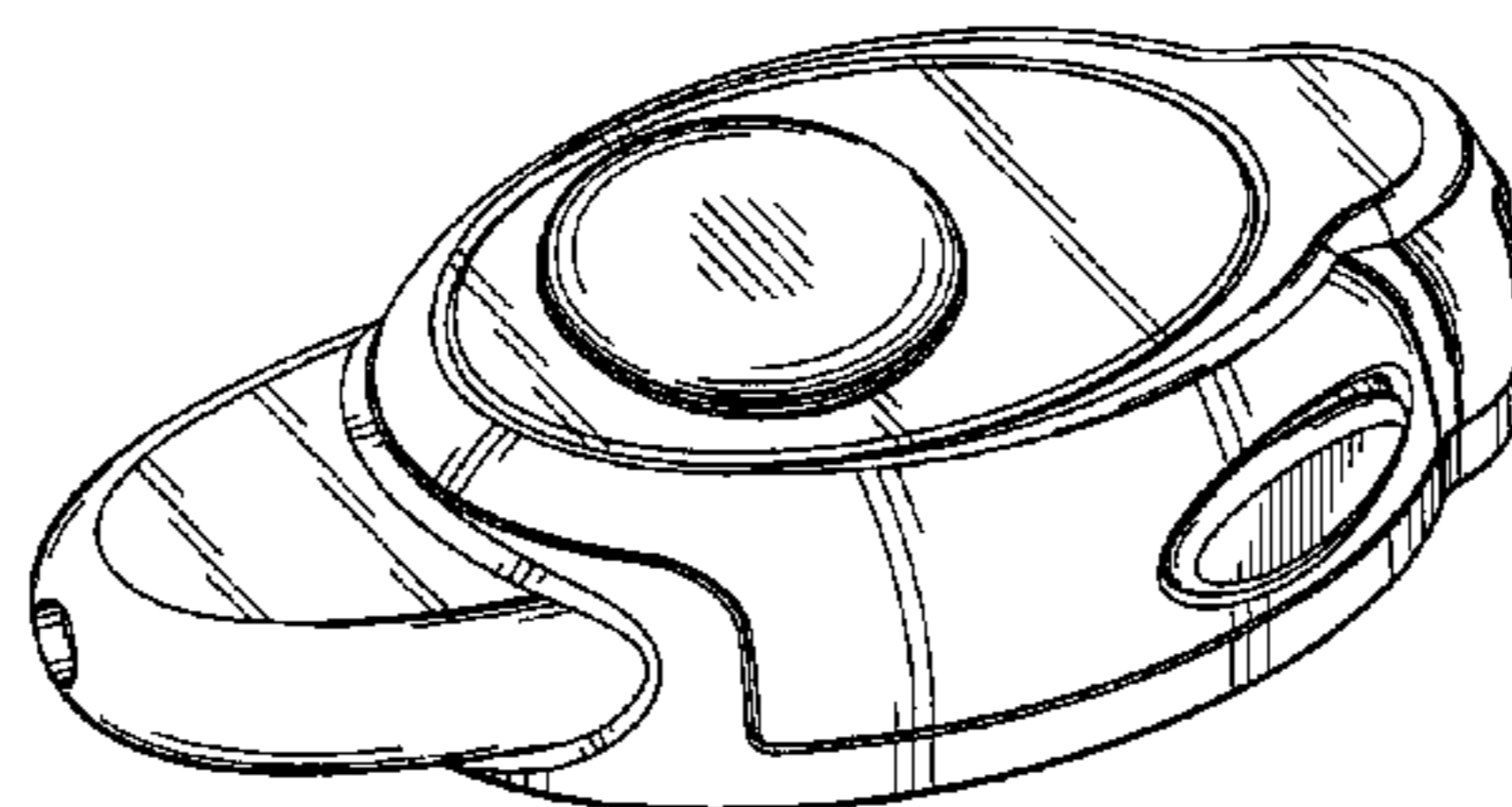
FIG. 26 is a top plan view thereof;

FIG. 27 is a right side elevation thereof; and,

FIG. 28 is a rear elevation thereof.

The broken lines shown in FIGS. 15-28 represent environmental elements and form no part of the claimed design.

1 Claim, 12 Drawing Sheets



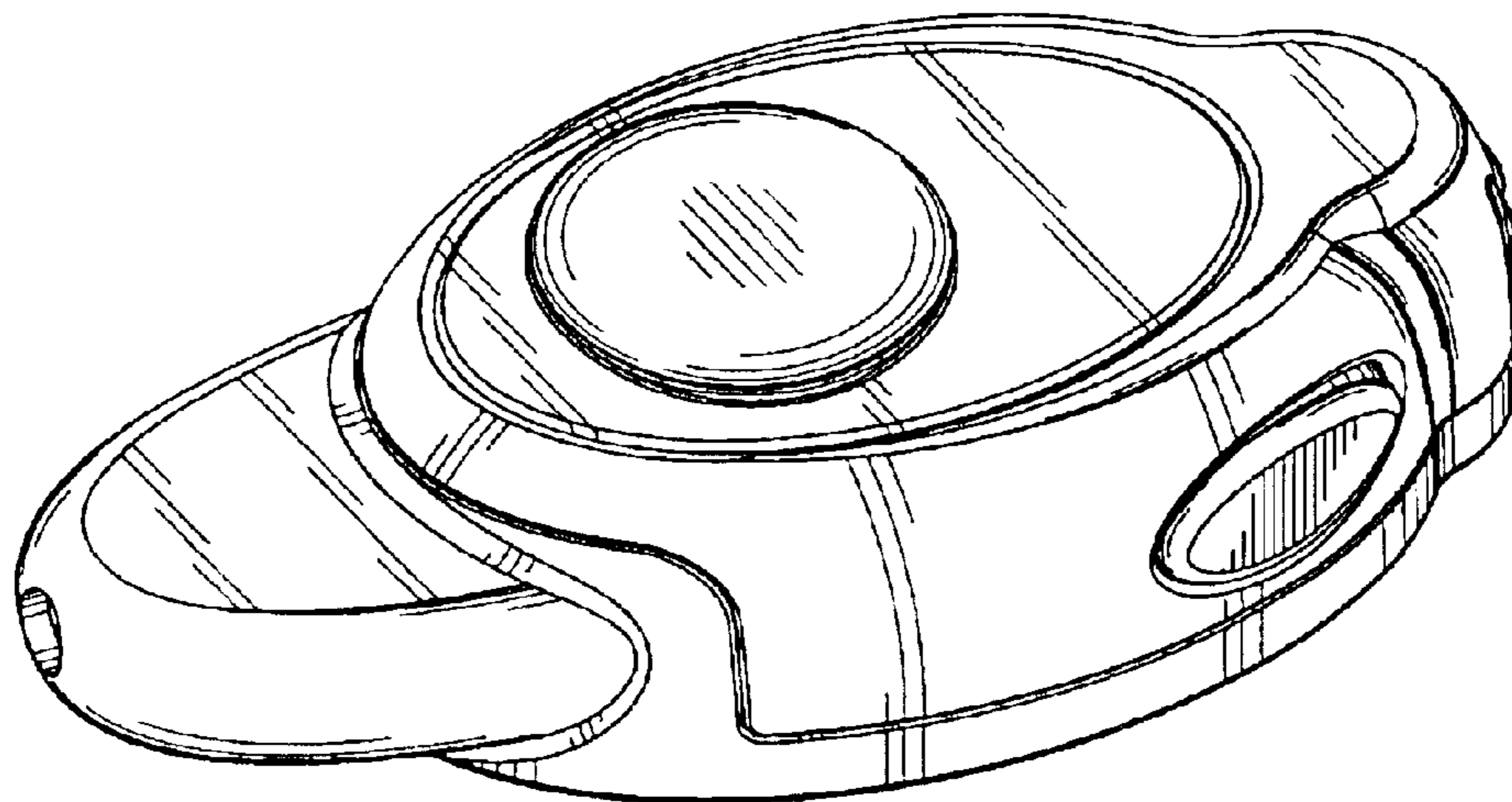


FIG. 1

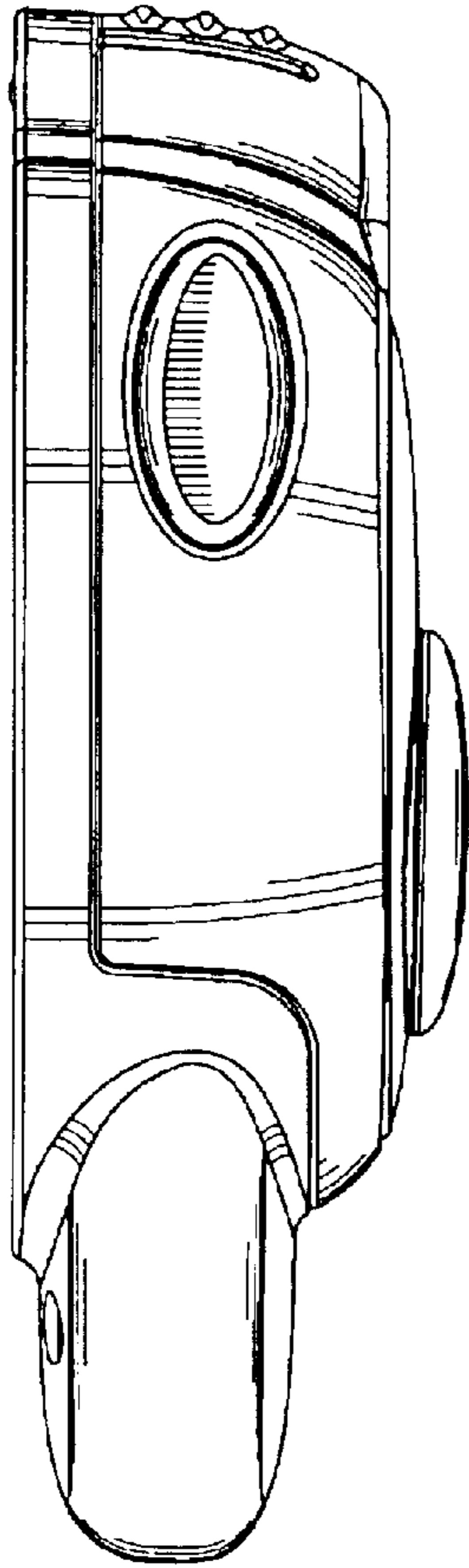


FIG. 2

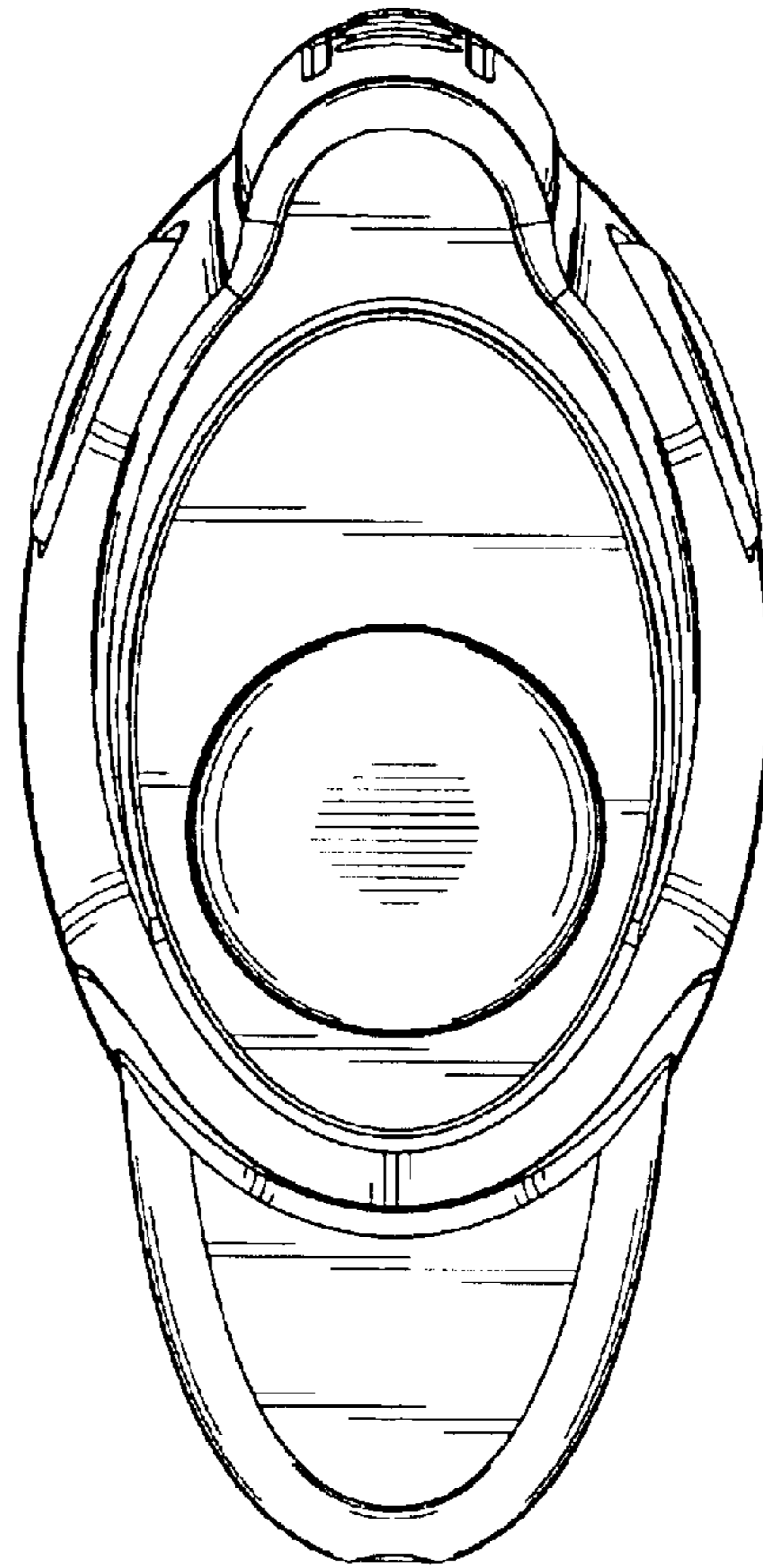


FIG. 3

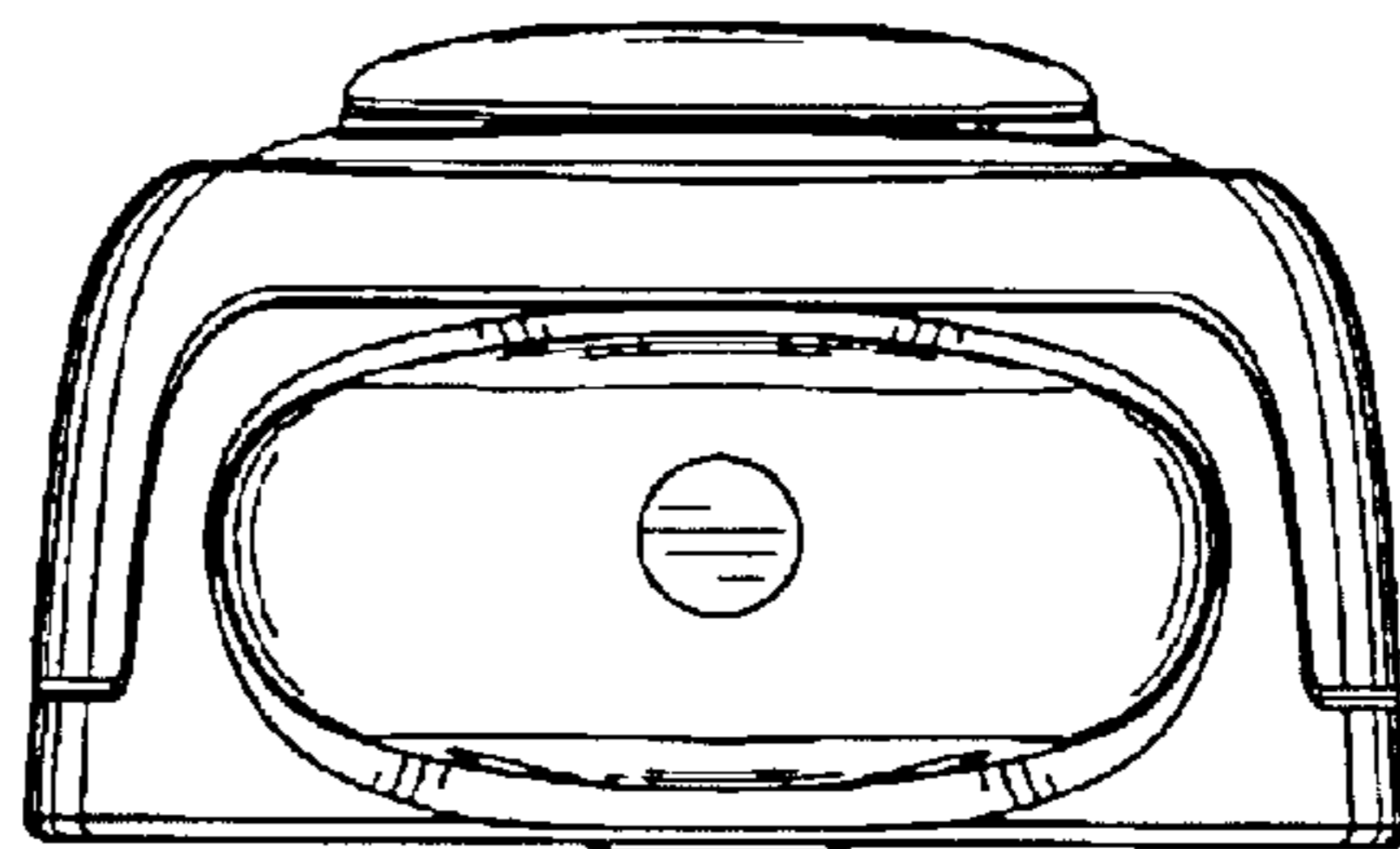


FIG. 4

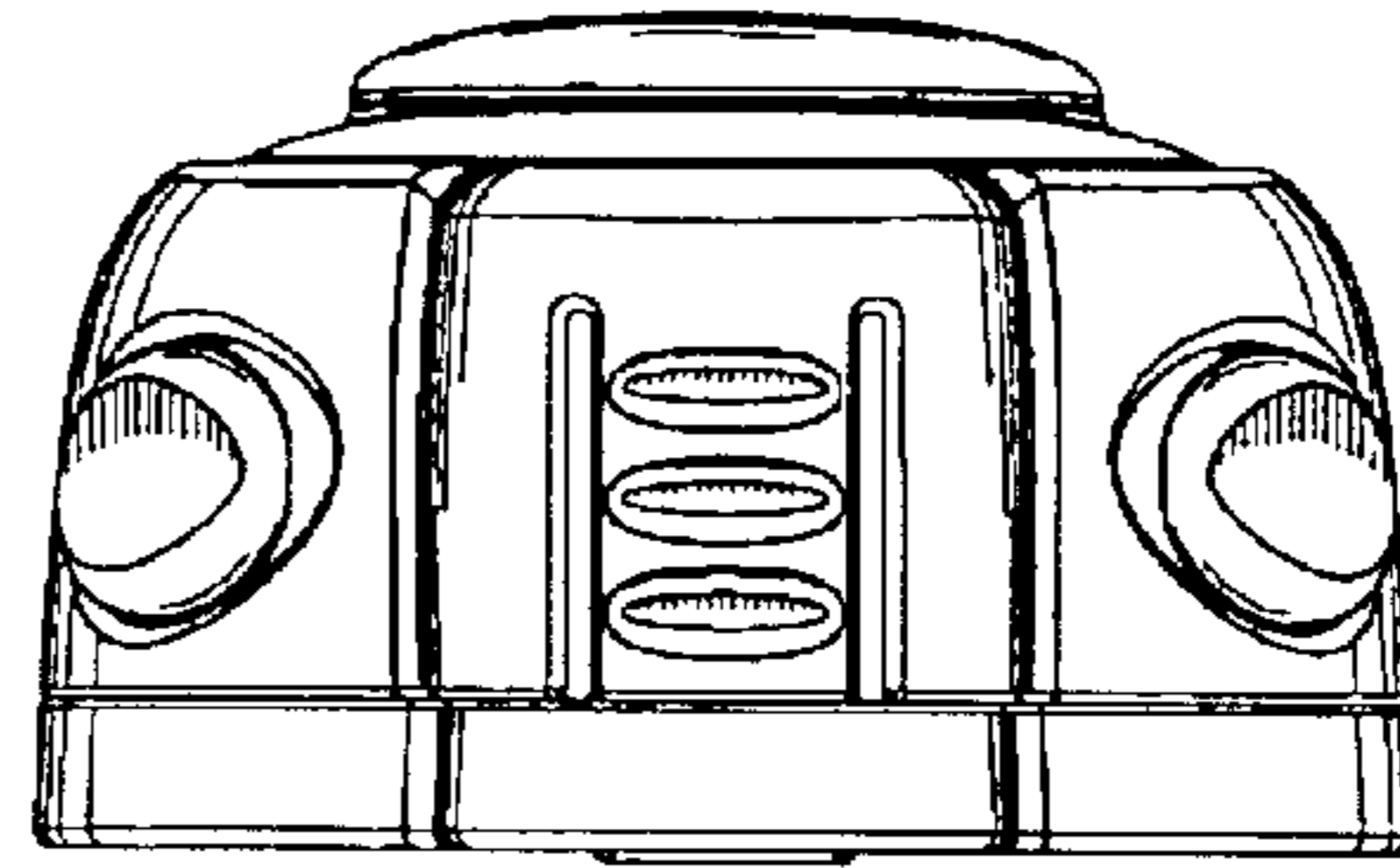


FIG. 5

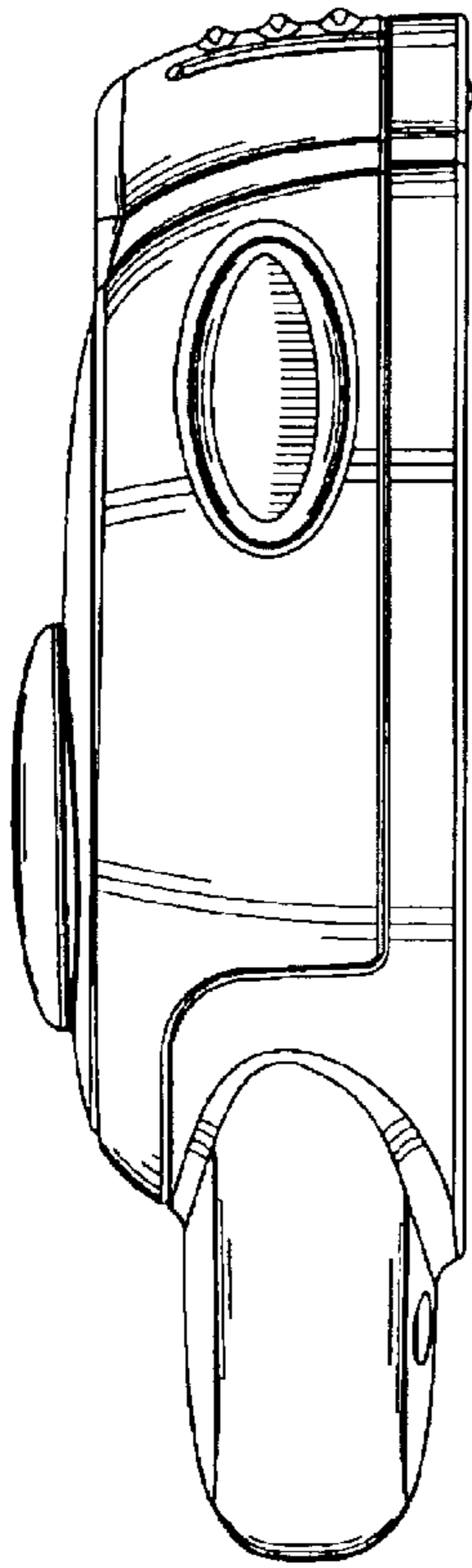


FIG. 6

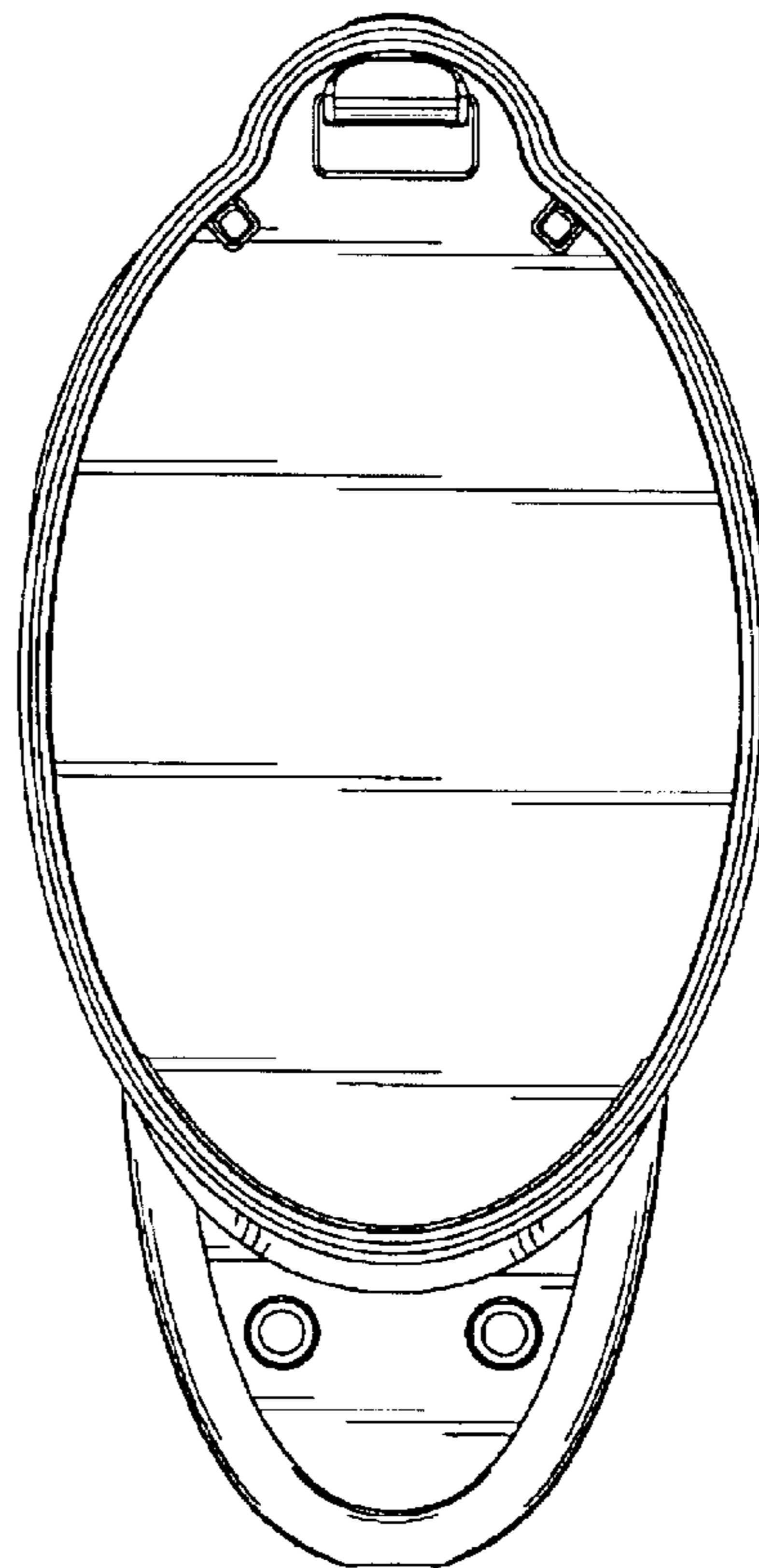


FIG. 7

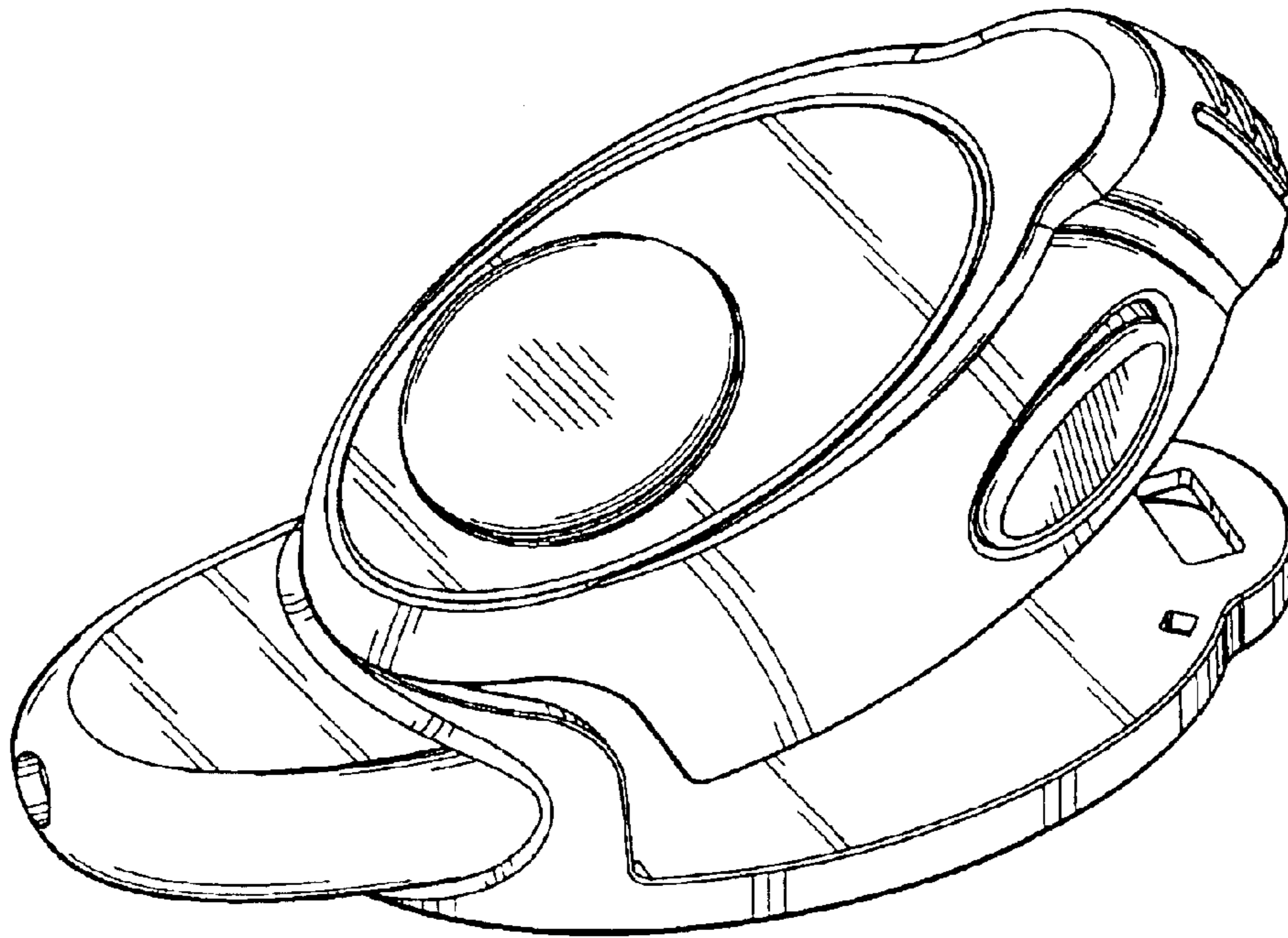


FIG. 8

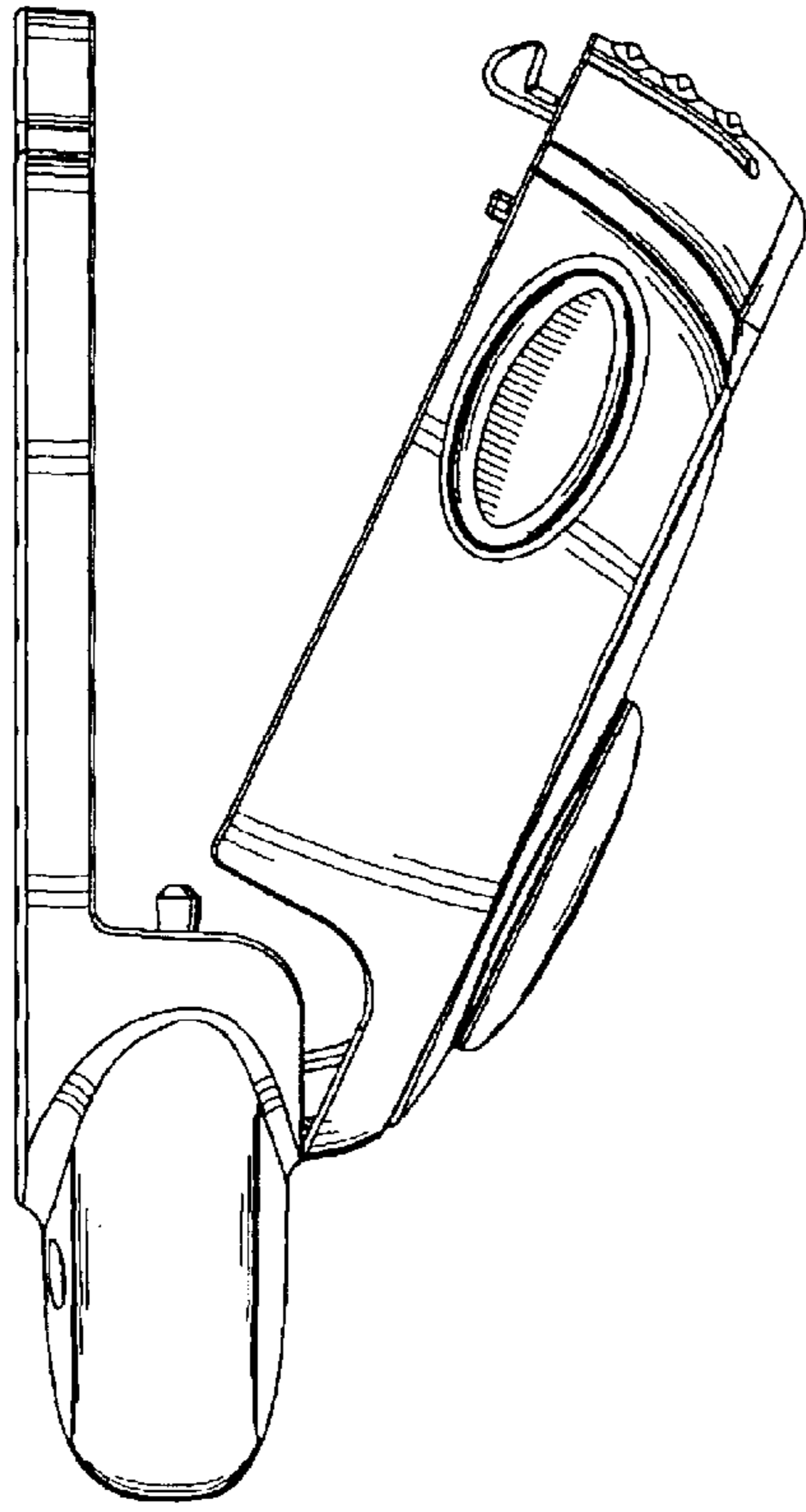


FIG. 9

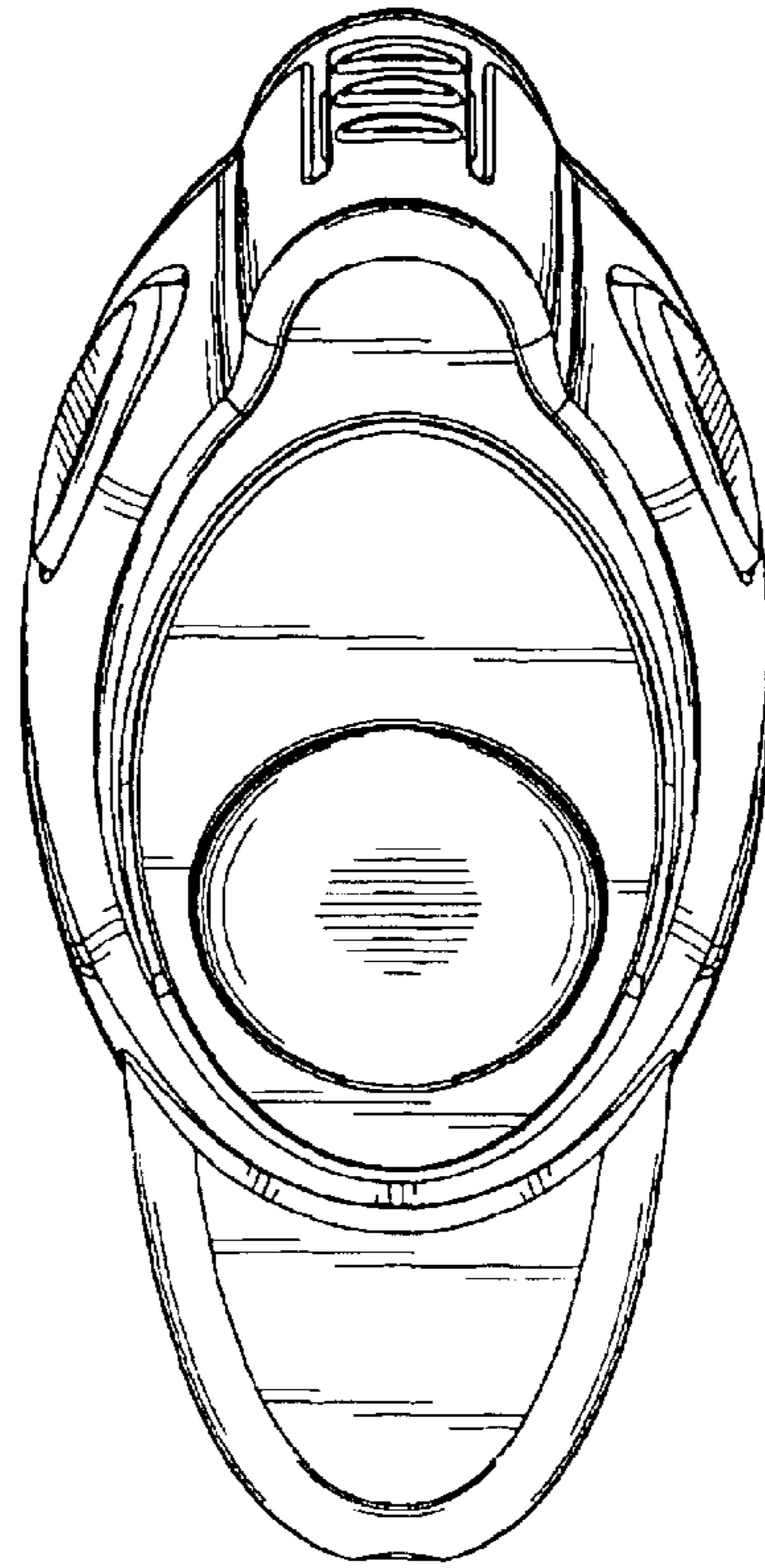


FIG. 10

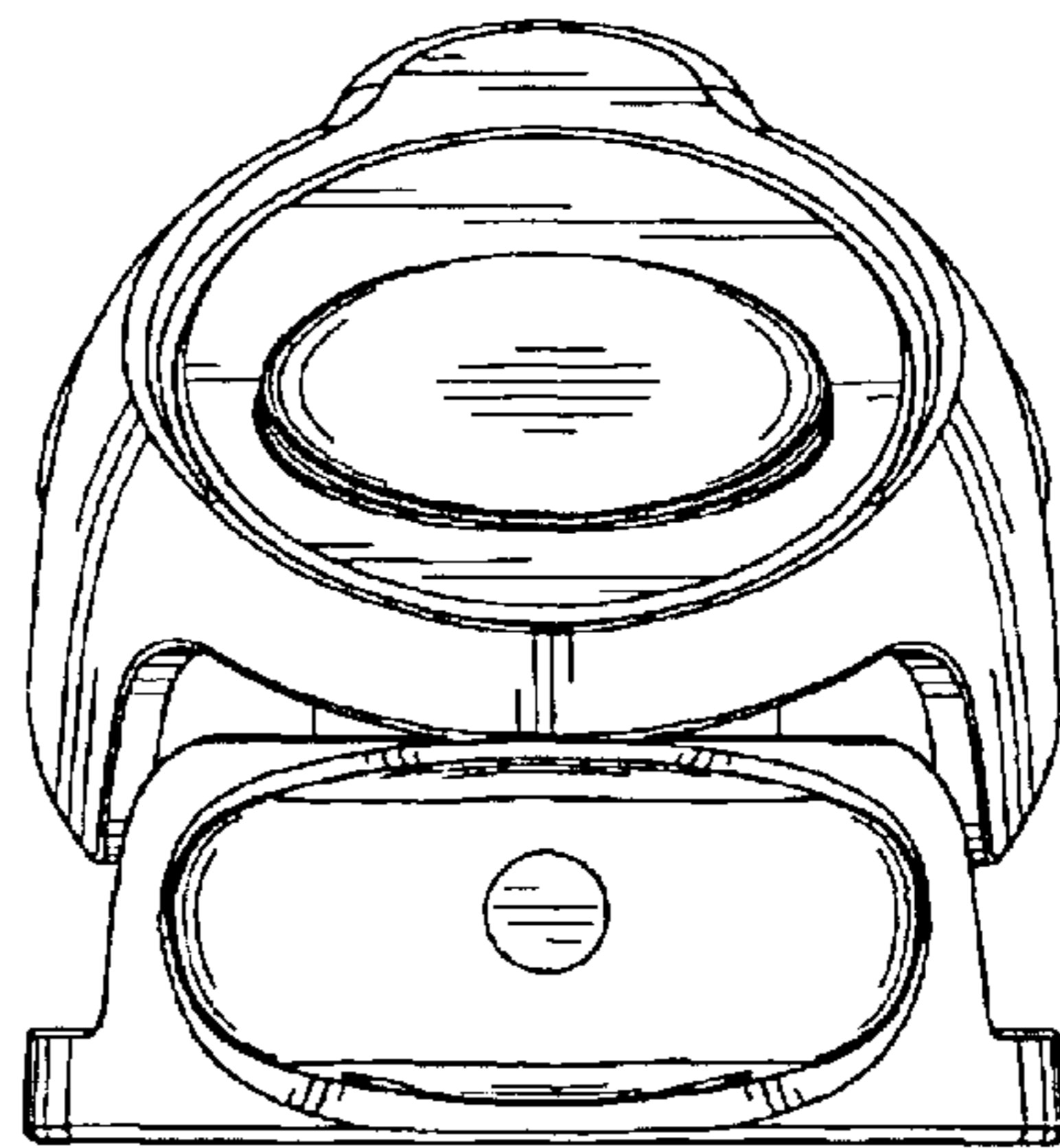


FIG. 11

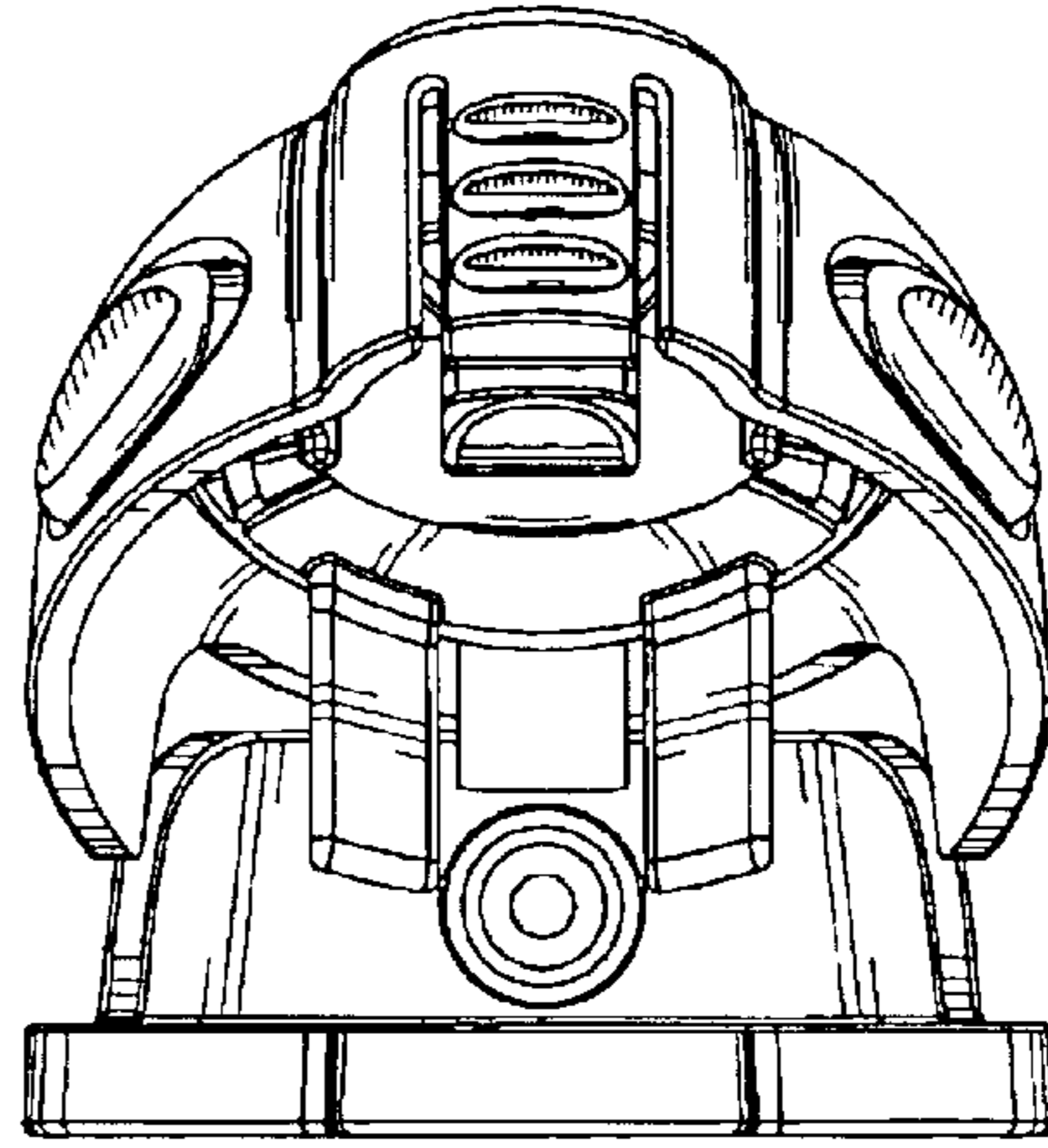


FIG. 12

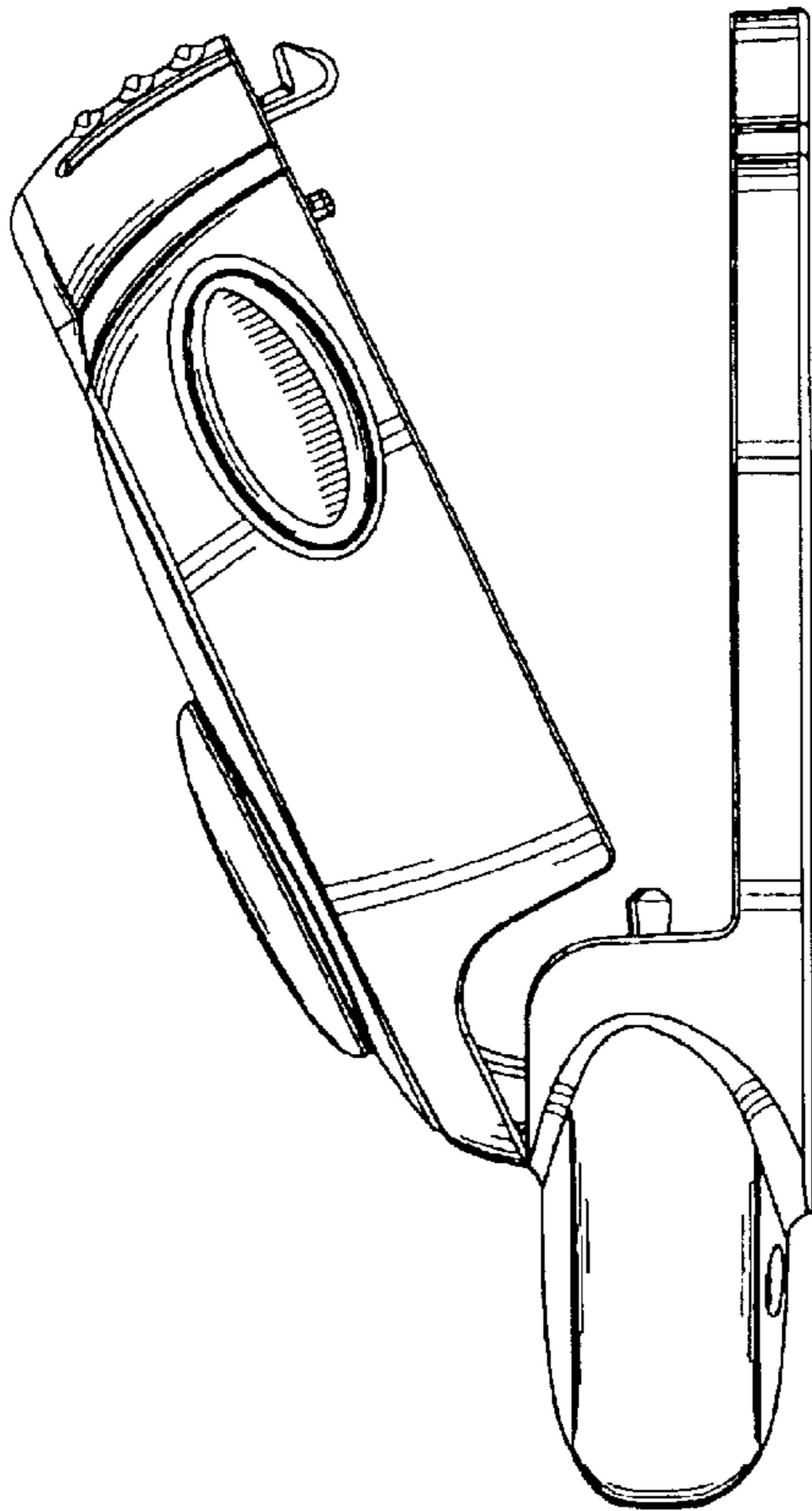


FIG. 13

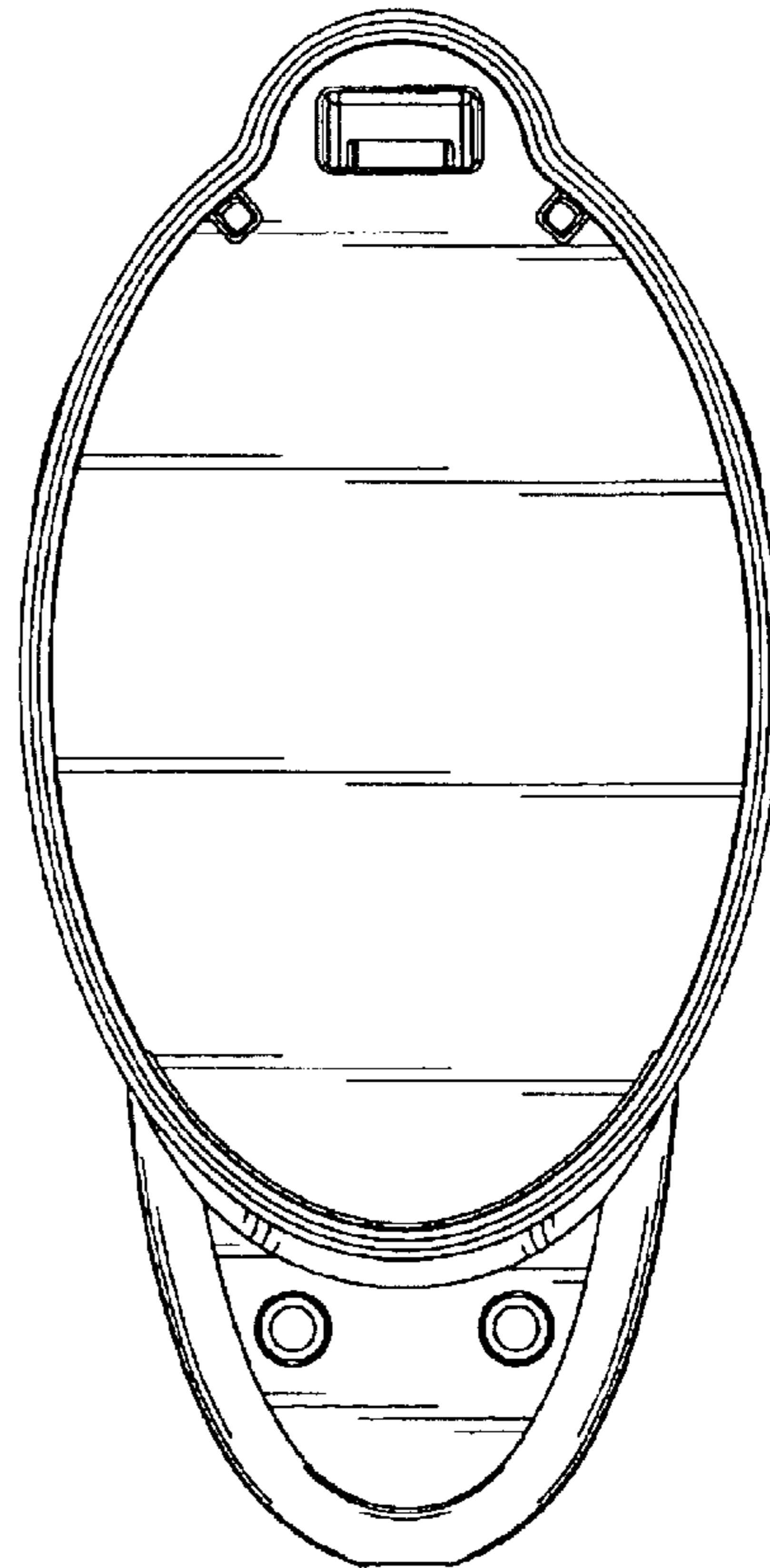


FIG. 14

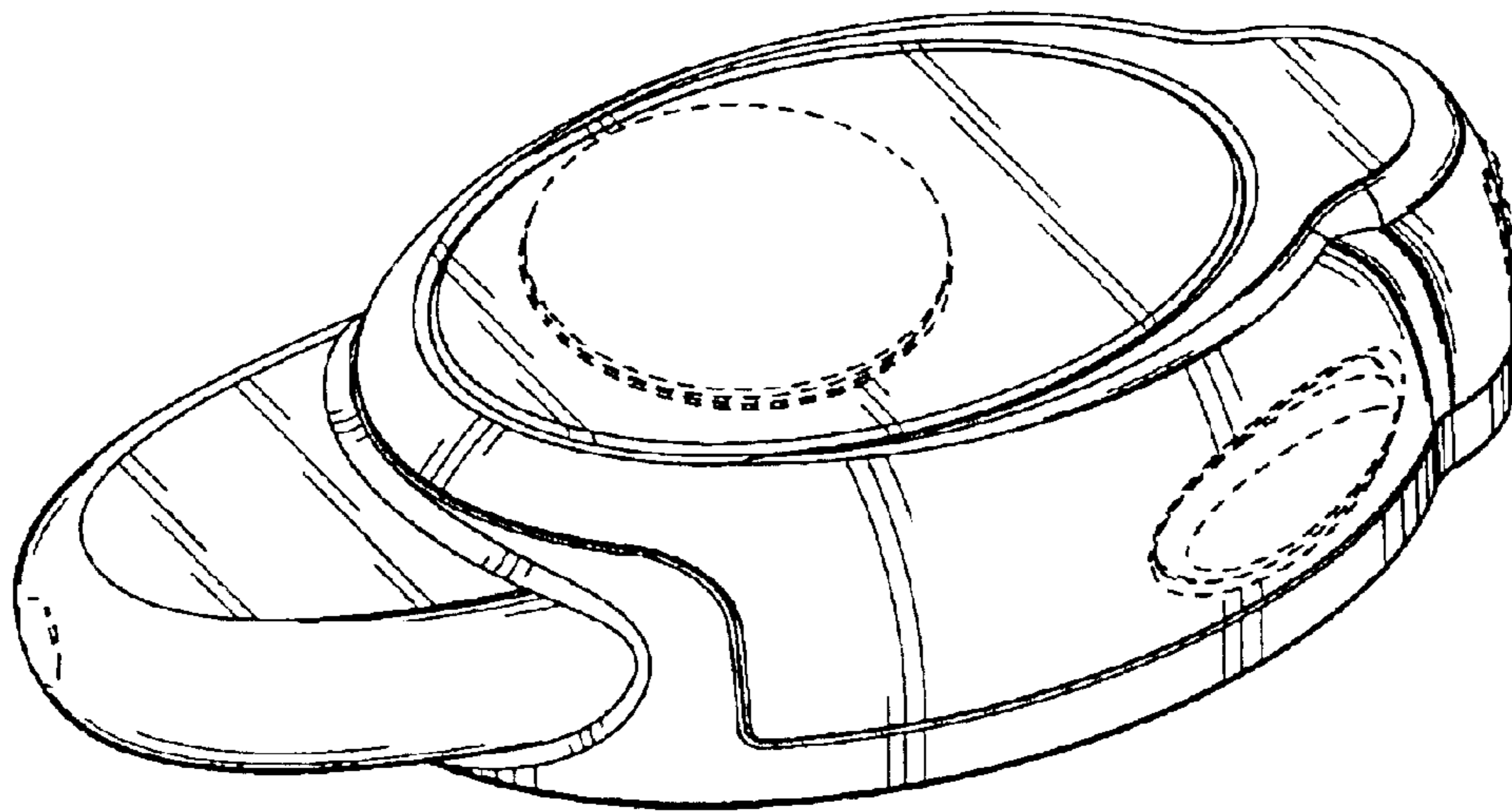


FIG. 15

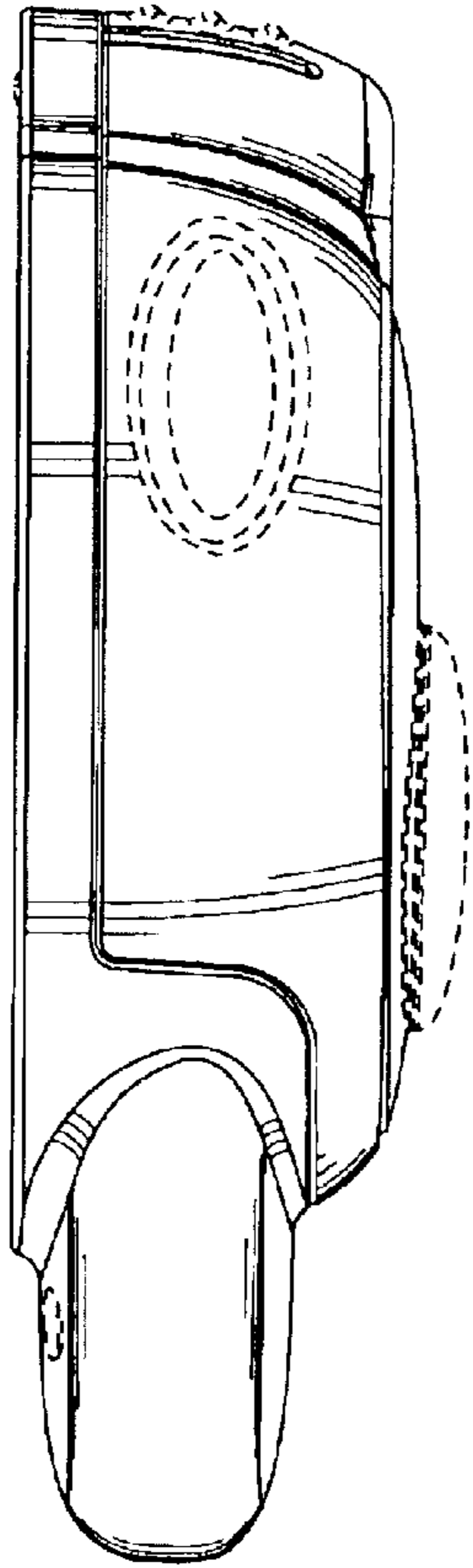


FIG. 16

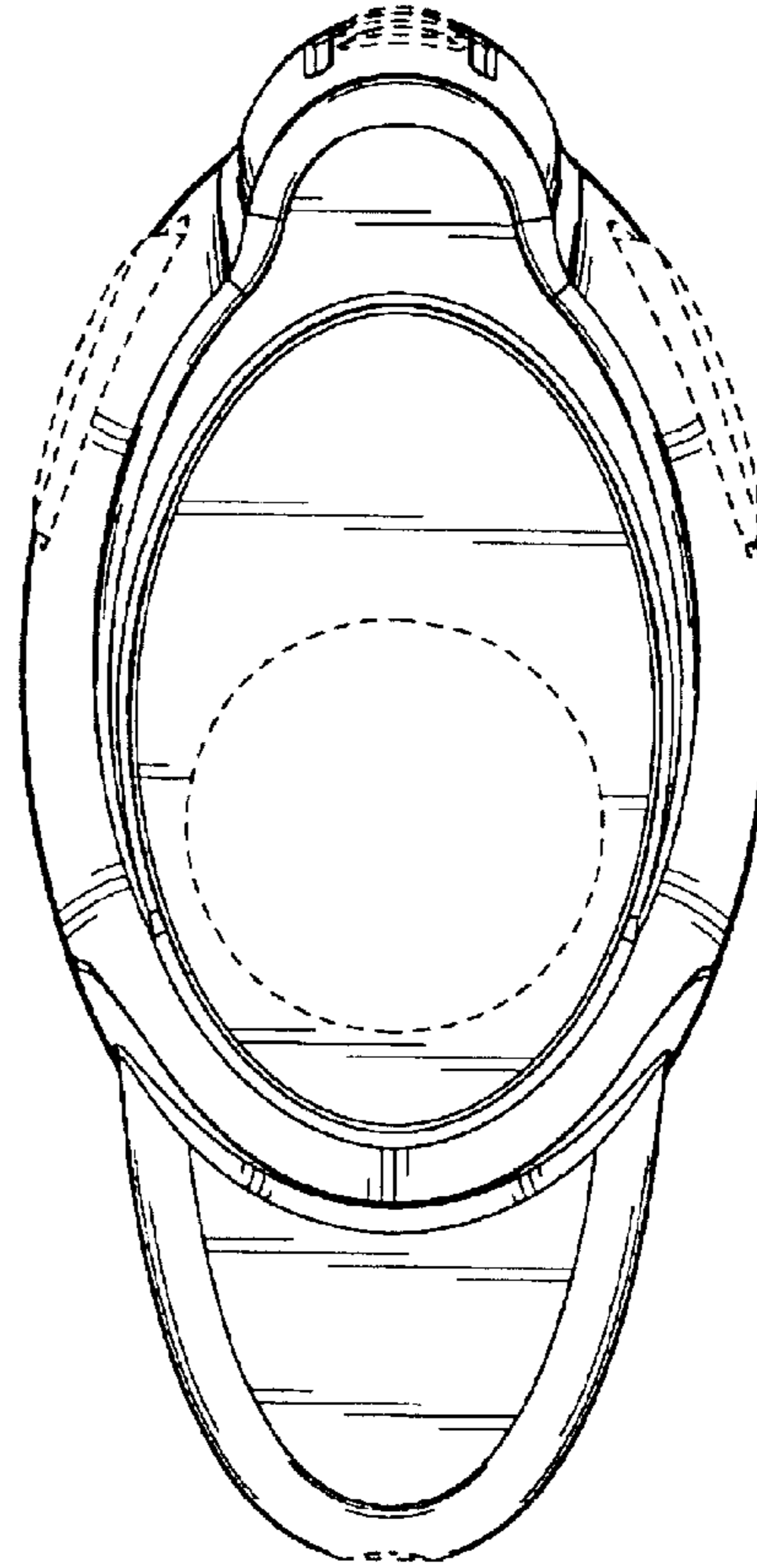


FIG. 17

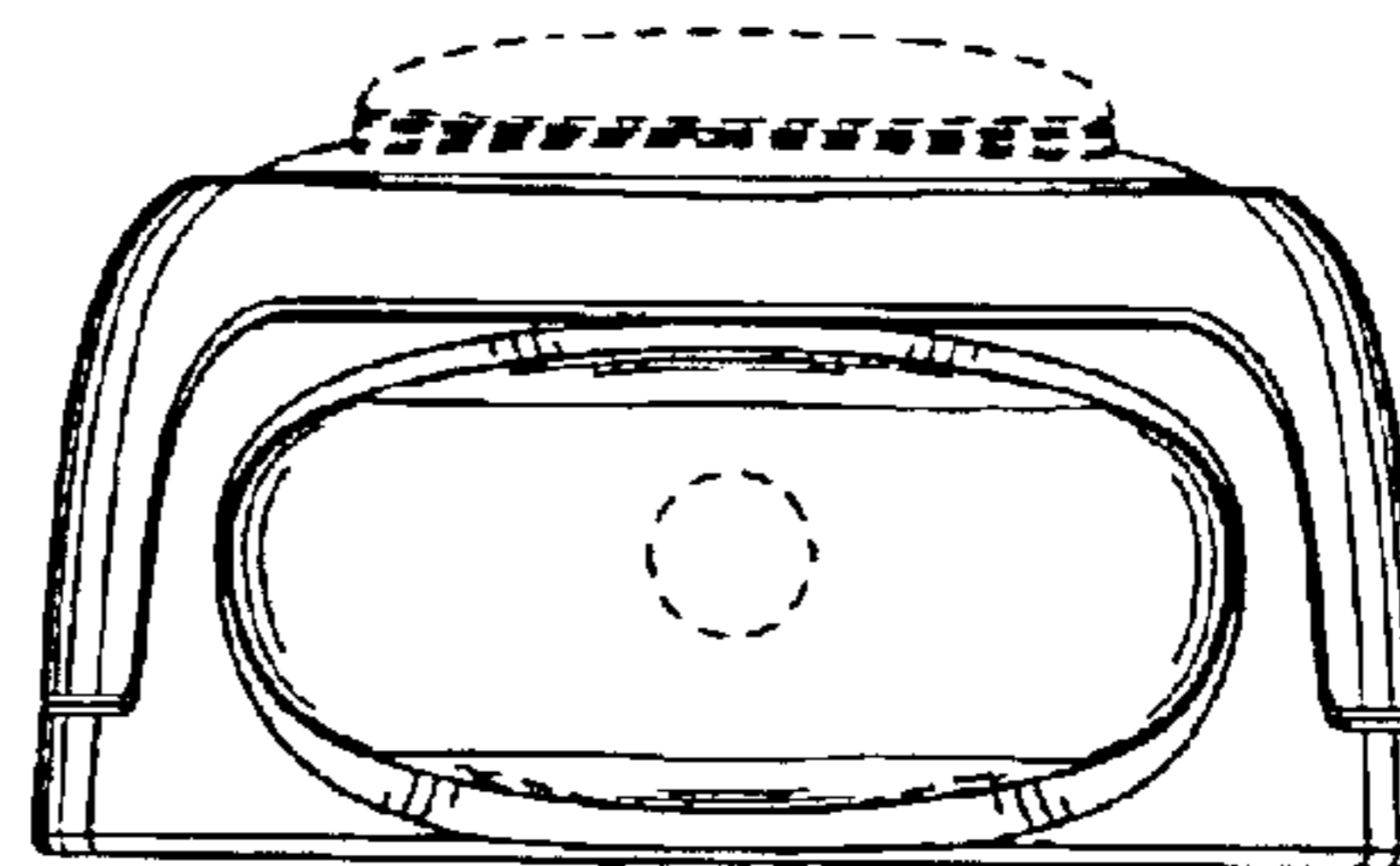


FIG. 18

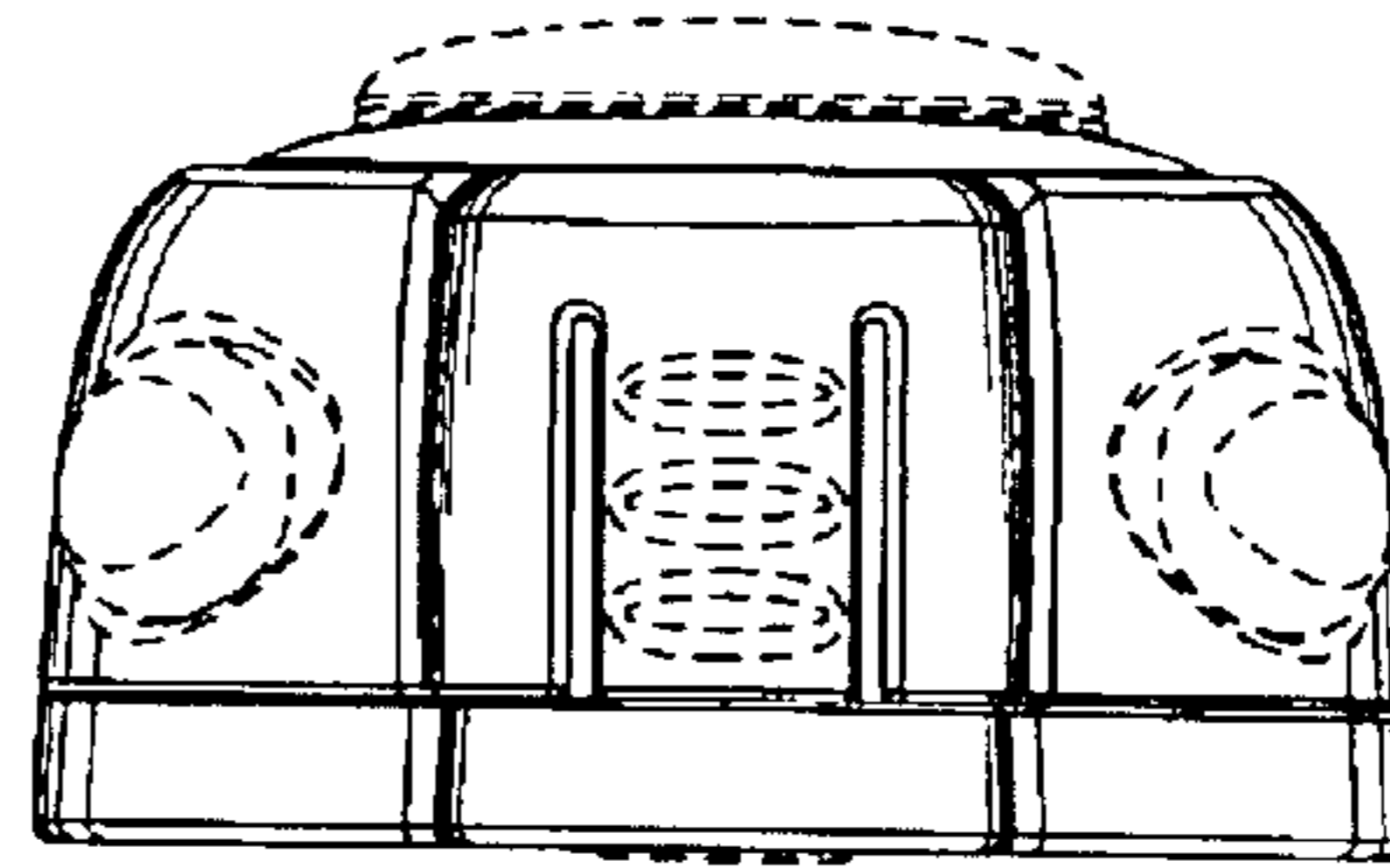


FIG. 19

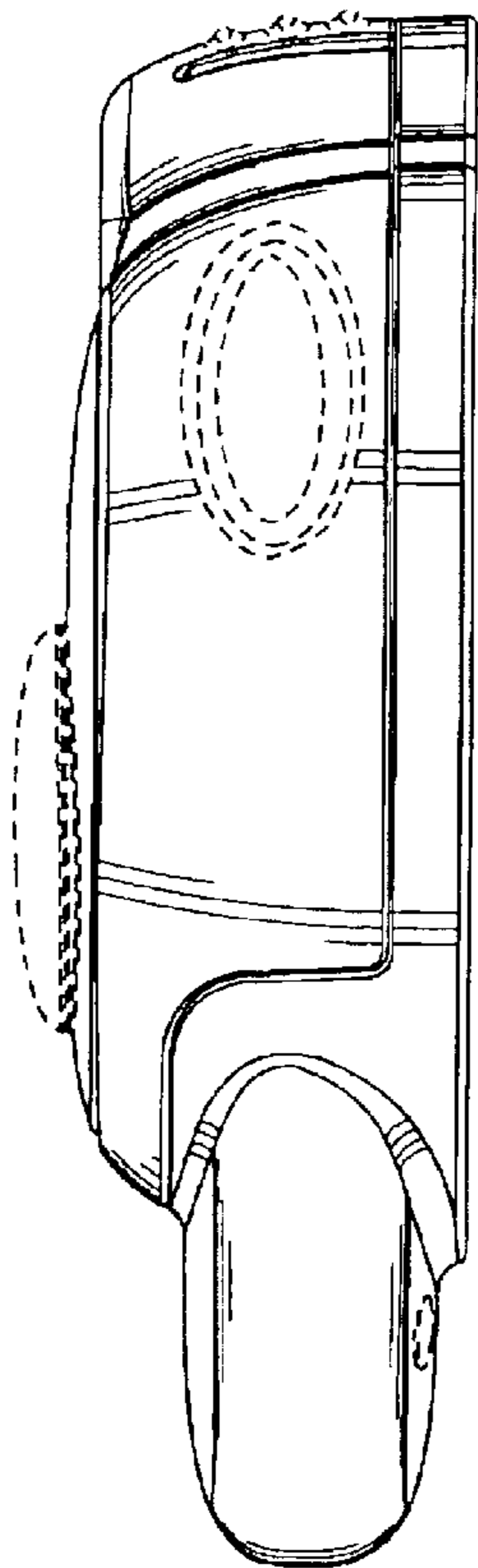


FIG. 20

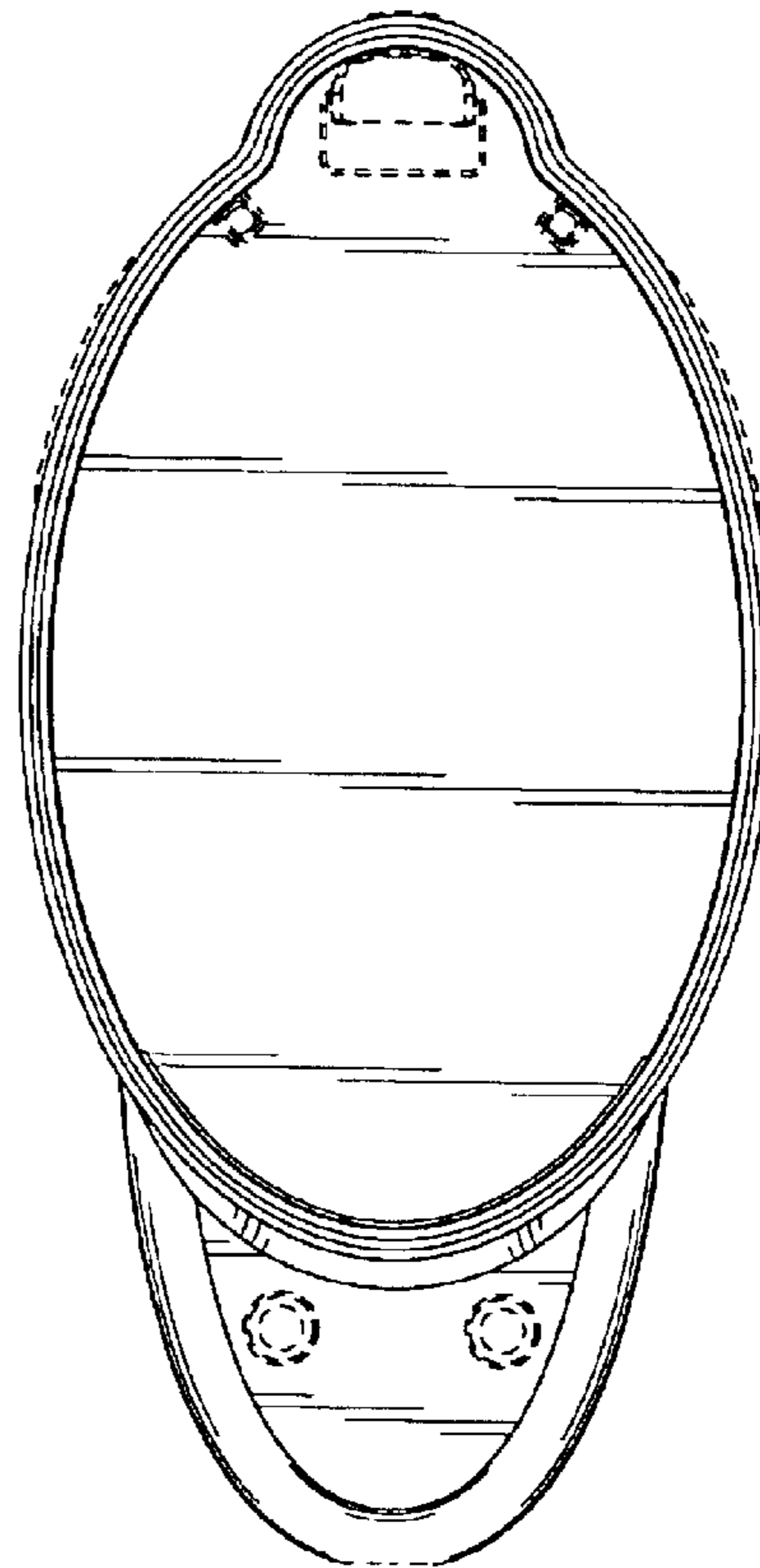


FIG. 21

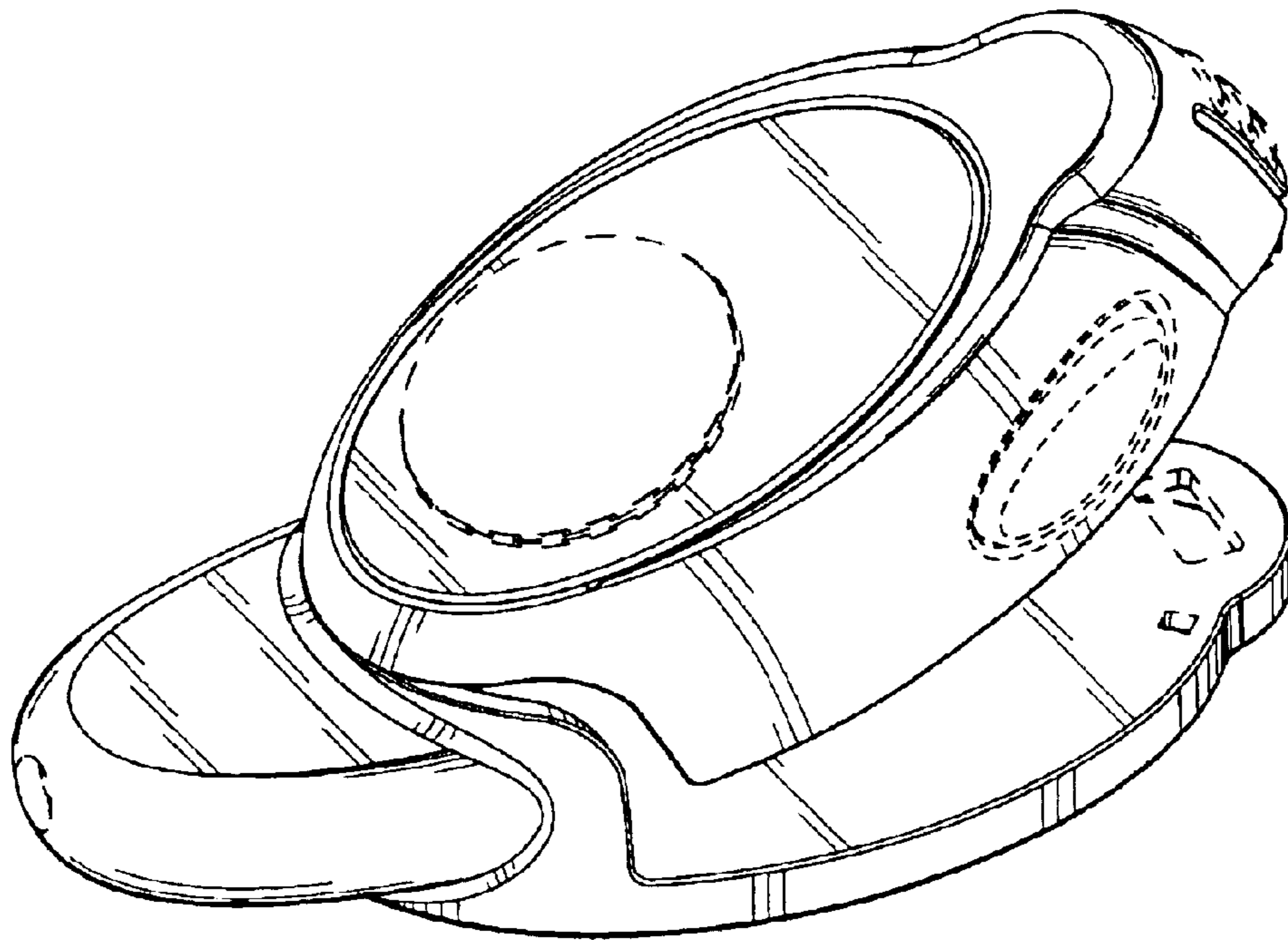


FIG. 22

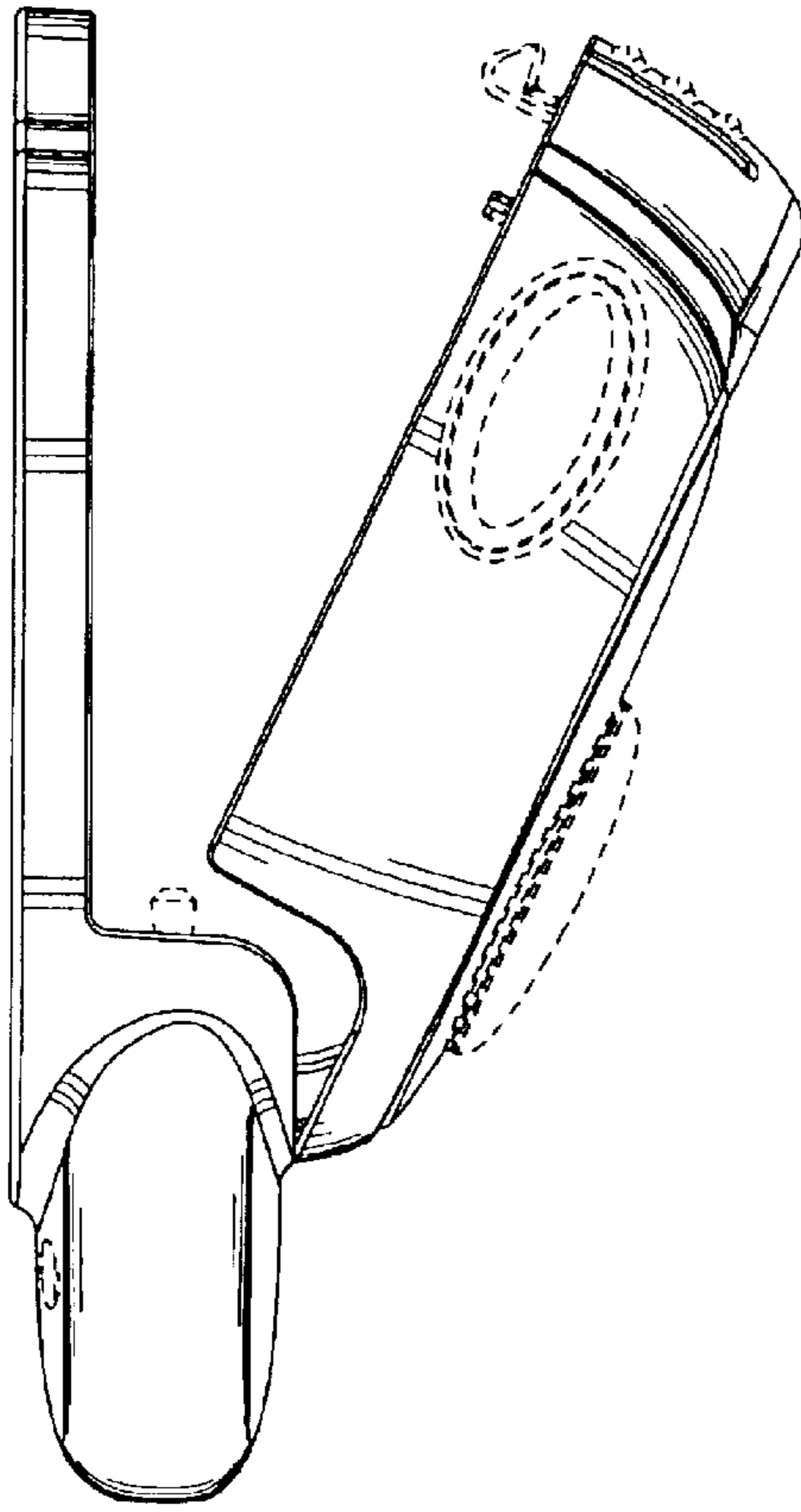


FIG. 23

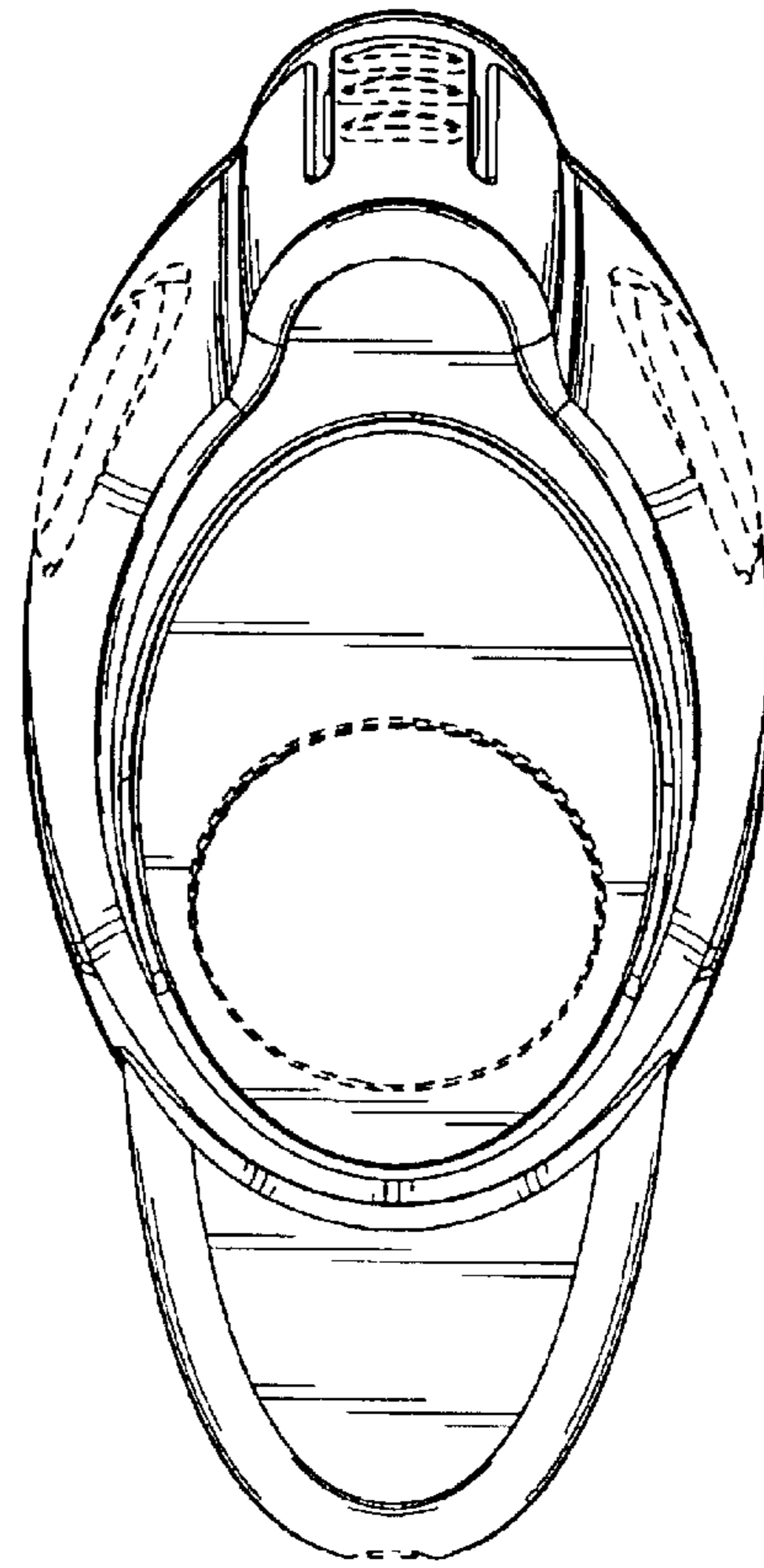


FIG. 24

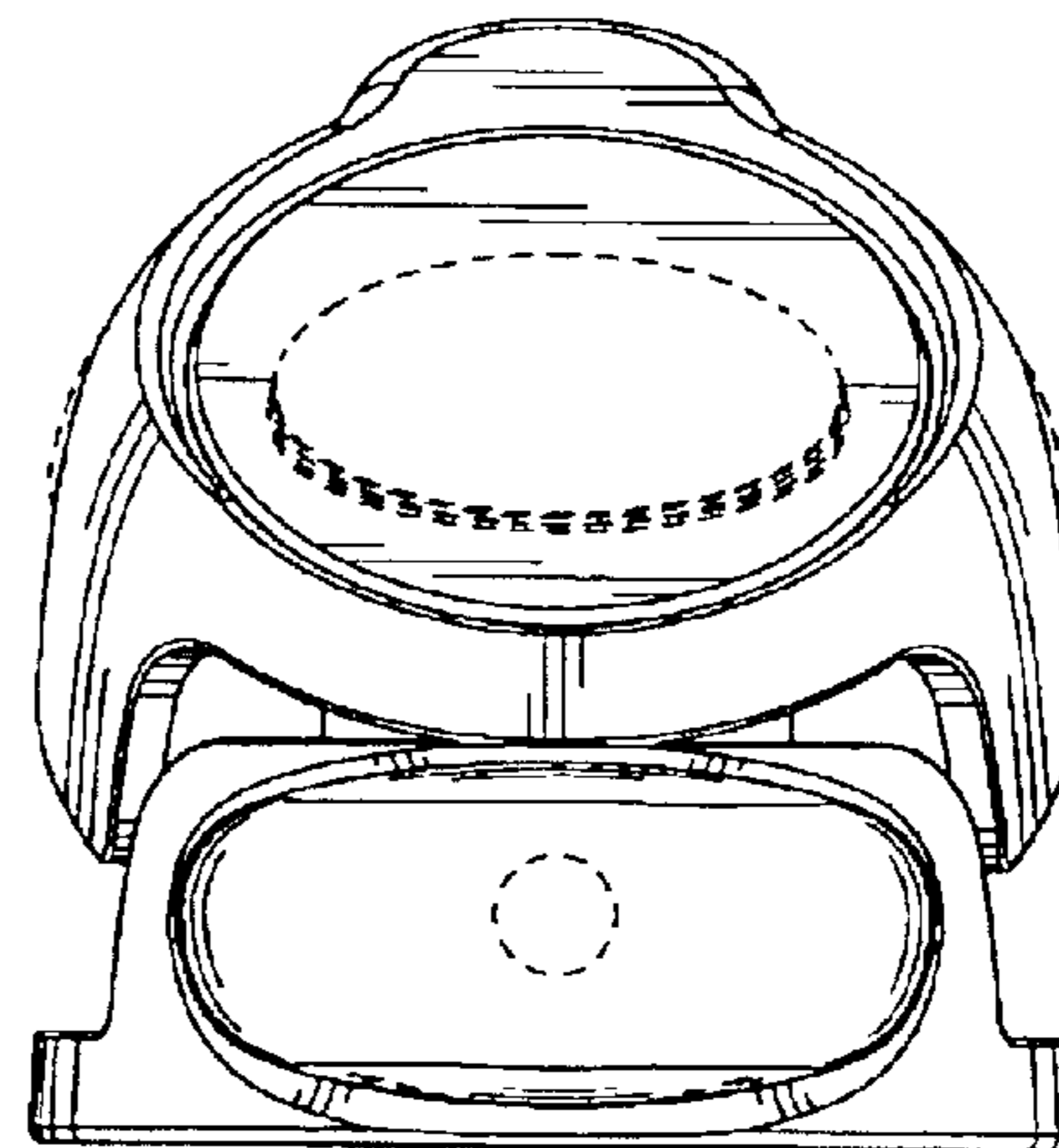


FIG. 25

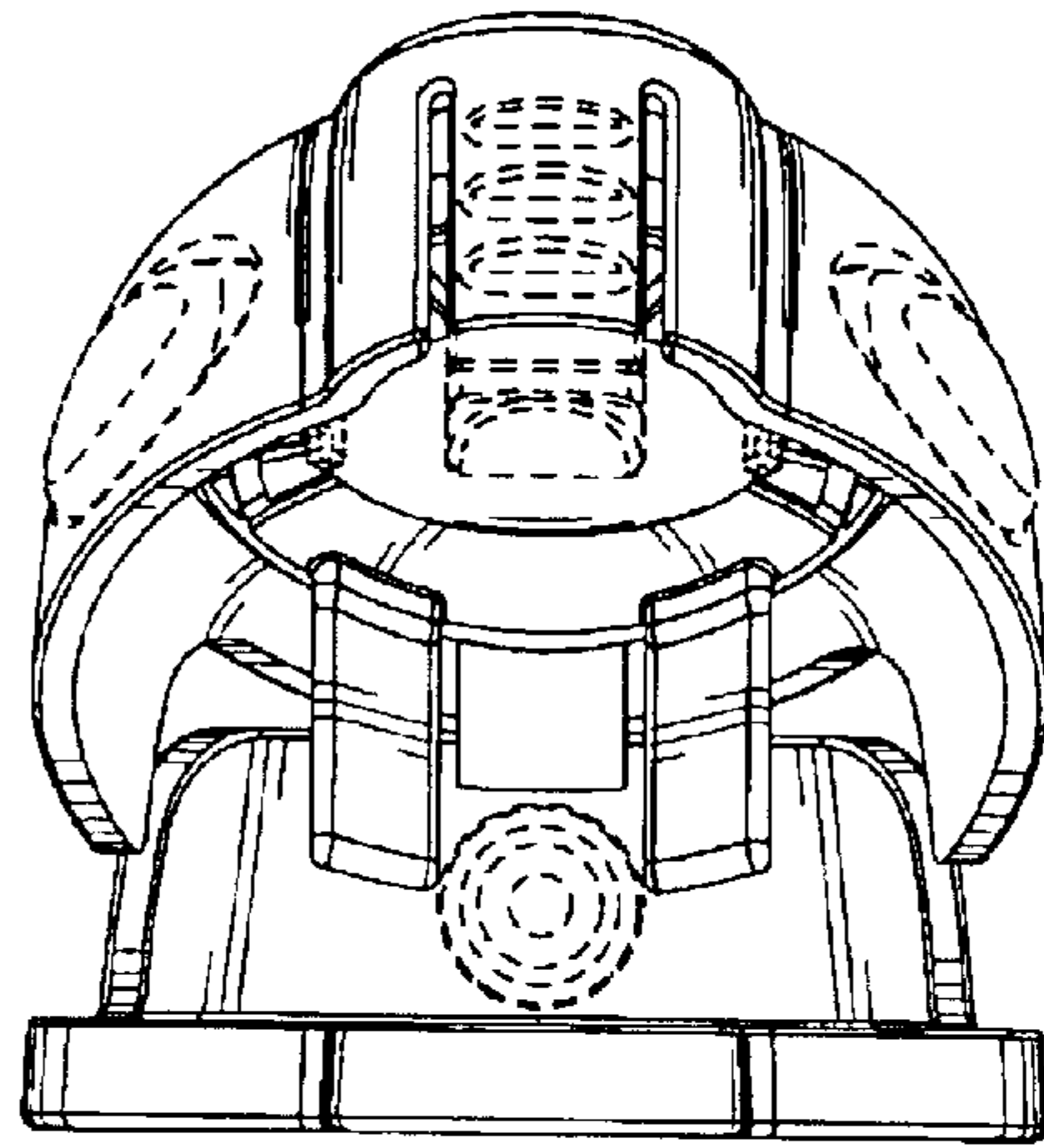


FIG. 26

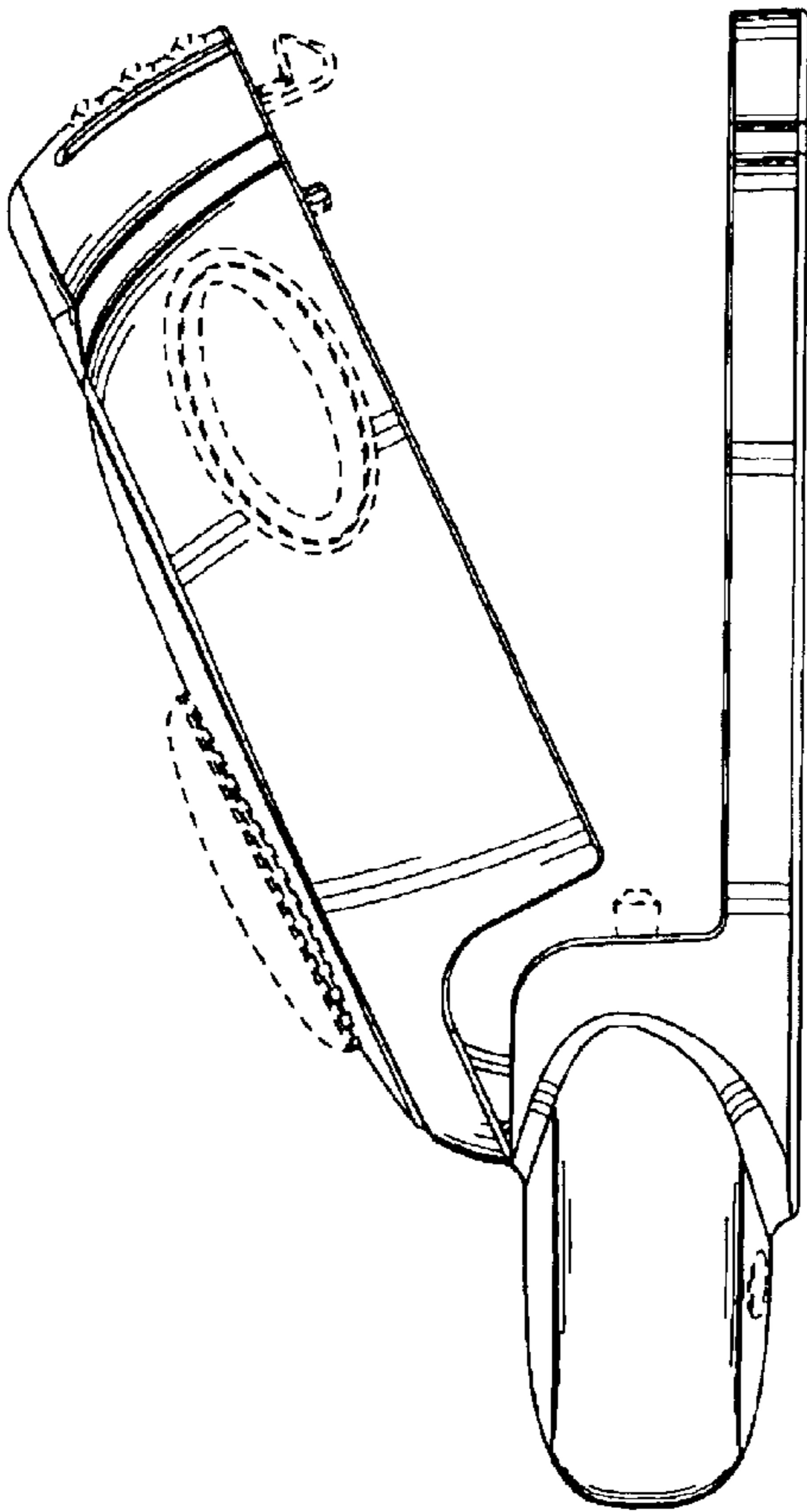


FIG. 27

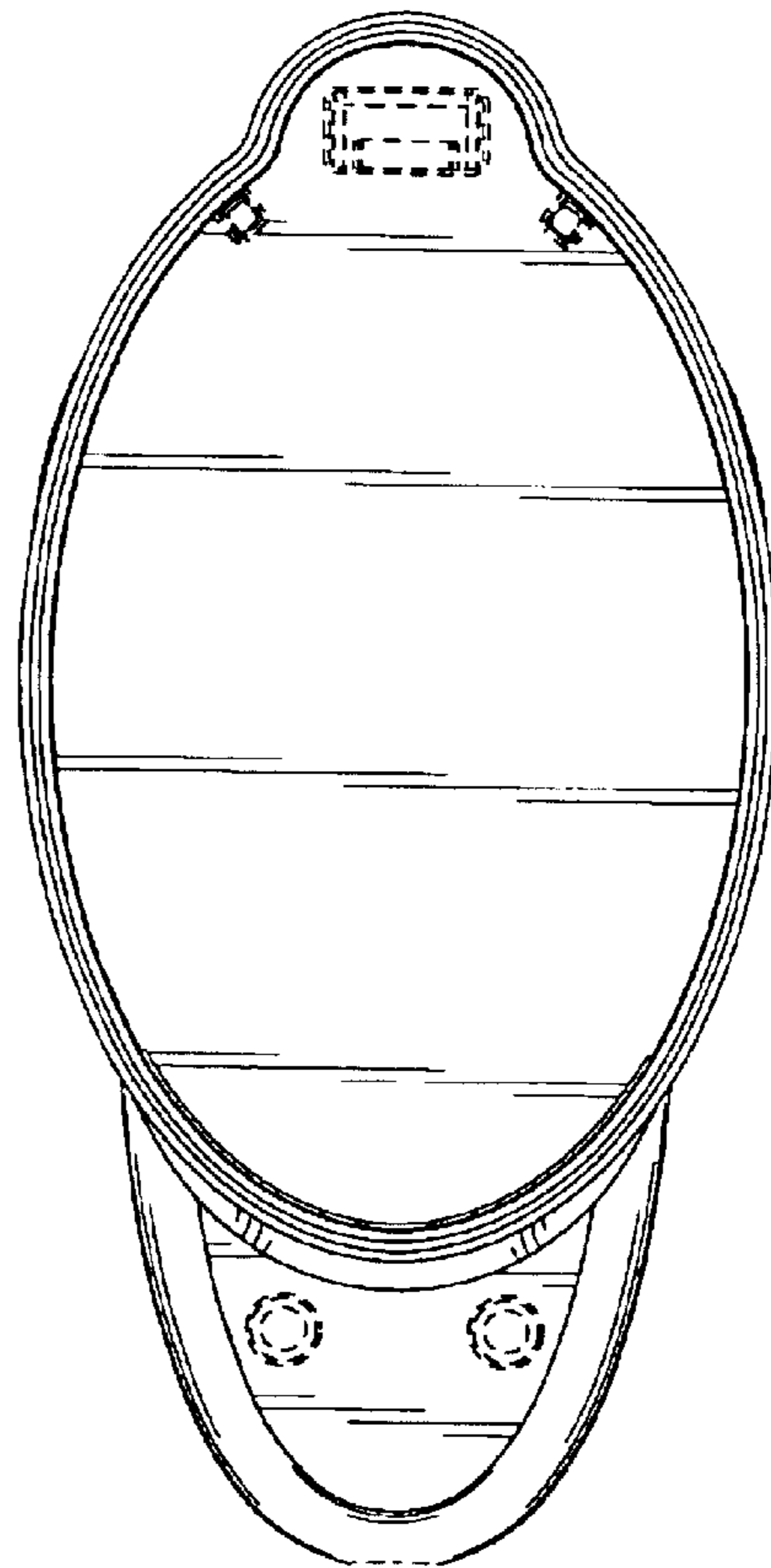


FIG. 28